



THE DATASHEET OF
1746854-1

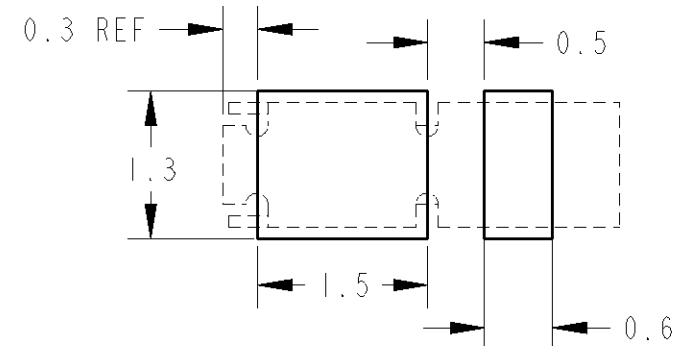
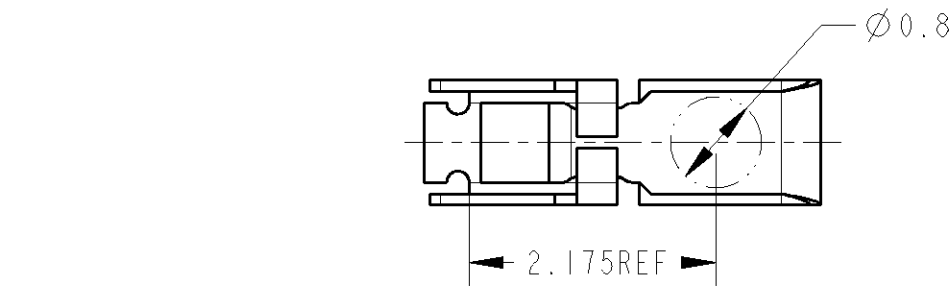


THIS DRAWING IS UNPUBLISHED. RELEASED FOR PUBLICATION 04MAR2004
 © COPYRIGHT 04MAR2004 BY TYCO ELECTRONICS CORPORATION. ALL RIGHTS RESERVED.

LOC	DIST	REVISIONS						
		P	LTR	DESCRIPTION	DATE	DWN	APVD	
J	-	0		RELEASED	FJB0-0127-04	06APR2004	C.O	K.I

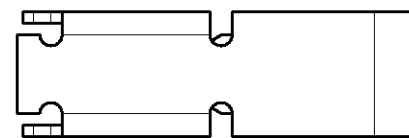
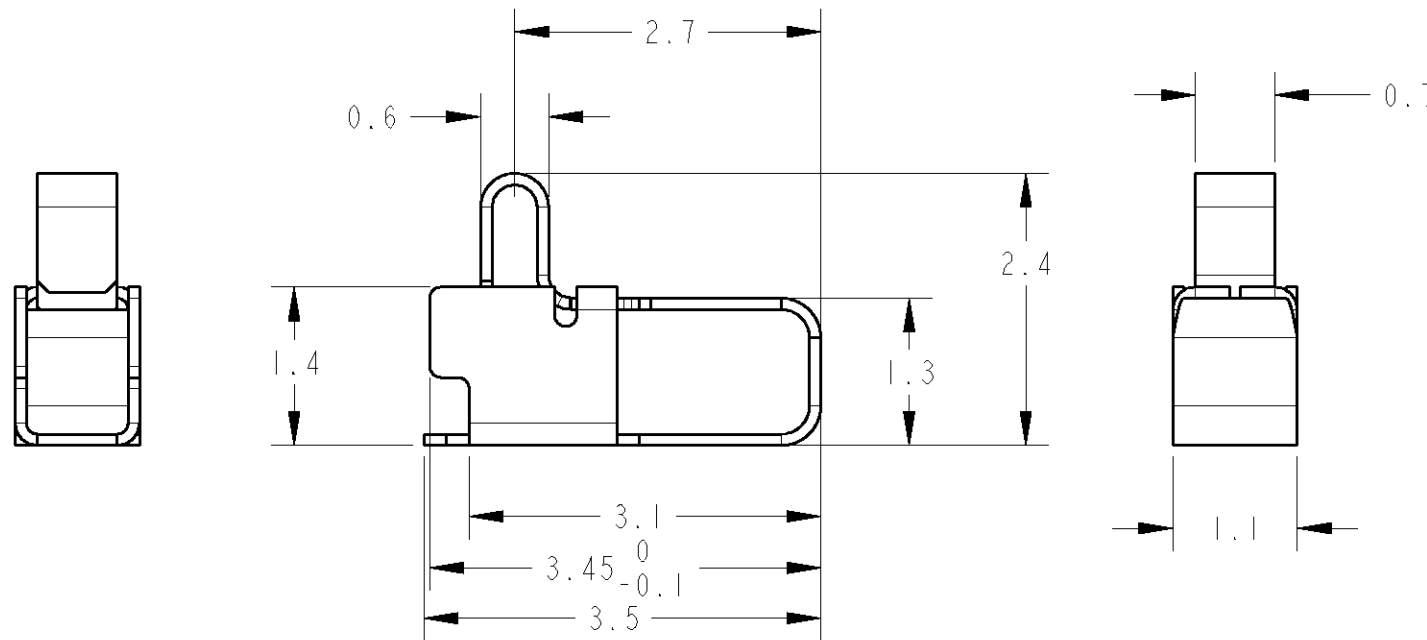
本図面に記載された内容はタイコ エレクトロニクス アンパ(株)の所有する情報を開示しております。
 無断で複写・配布する事を禁じます。

特許出願中



参考パッド寸法
 REFERENCE PCB PAD
 (公差±0.05)

-1; 本図
 -1; AS SHOWN



- ① めっき仕様
 全面Ni下地 : 0.8μm MIN
 コンタクトポイント : Au 0.25~0.5μm
 半田付けエリア : Au 0.05μm MIN
 2. カットバリ : 0.05MAX
 その他 全周バリ : 0.03MAX

③ 材料: 銅合金

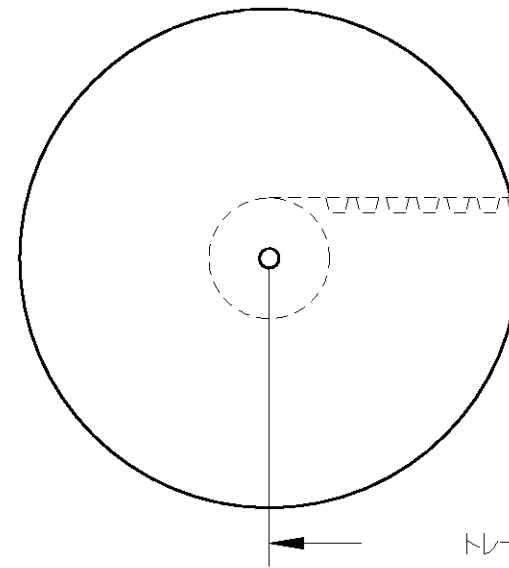
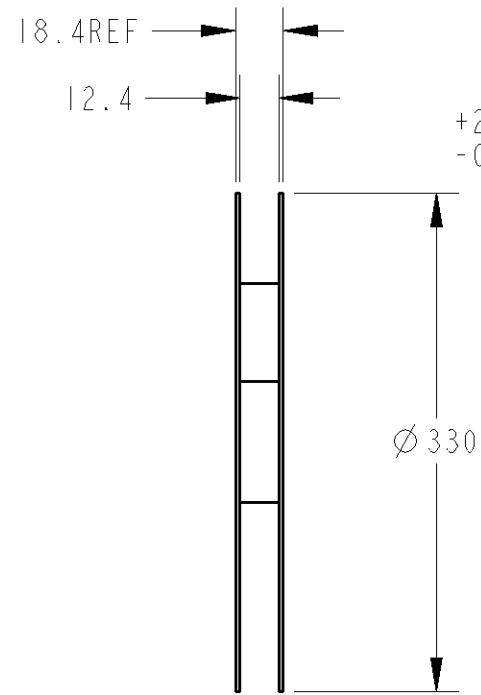
- ① PLATED
 ALL OVER; Ni 0.8μm MIN
 CONTACT POINT; Au 0.25~0.5μm
 SOLDERING AREA; Au 0.05μm MIN
 2. CUT BURR; 0.05 MAX.
 OTHER BURR; 0.03 MAX.

③ MATERIAL; COPPER ALLOY

THIS DRAWING IS A CONTROLLED DOCUMENT FOR TYCO ELECTRONICS CORPORATION IT IS SUBJECT TO CHANGE AND THE CONTROLLING ENGINEERING ORGANIZATION SHOULD BE CONTACTED FOR THE LATEST REVISION.		DWN C. OHASHI 29JAN2004	Tyco Electronics AMP K.K. Kawasaki, Japan	
DIMENSIONS: 単位: 概 mm		CHK T. KIMURA 06APR2004	NAME 名称 SHIELD FINGER 2411 ANTI OVER STRESS TYPE EMBOSS PACKING	
TOLERANCES UNLESS OTHERWISE SPECIFIED: 一般公差 ±0.2		APVD K. IKEGAMI 06APR2004	SIZE A3	
0-PLC ± 1-PLC ±0.5 2-PLC ±0.13 3-PLC ±0.013 4-PLC ±0.0001 ANGLES ±		PRODUCT SPEC 108-5967	CAGE CODE 00779	DRAWING NO C=1746854
MATERIAL 材料 SEE NOTE		APPLICATION SPEC 取付適用規格	RESTRICTED TO	
FINISH 仕上 SEE NOTE		WEIGHT 計算値 0.01g	SCALE 尺度 15:1	
①		CUSTOMER DRAWING		SHEET 1 OF 2
②				REV 0

THIS DRAWING IS UNPUBLISHED. RELEASED FOR PUBLICATION 04MAR2004
 © COPYRIGHT 04MAR2004 BY TYCO ELECTRONICS CORPORATION. ALL RIGHTS RESERVED.

LOC	DIST	REVISIONS				
P	LTR	DESCRIPTION	DATE	DWN	APVD	
J	-	-	-	-	-	
		SEE SHEET 1				



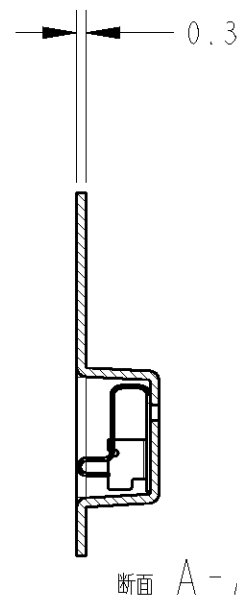
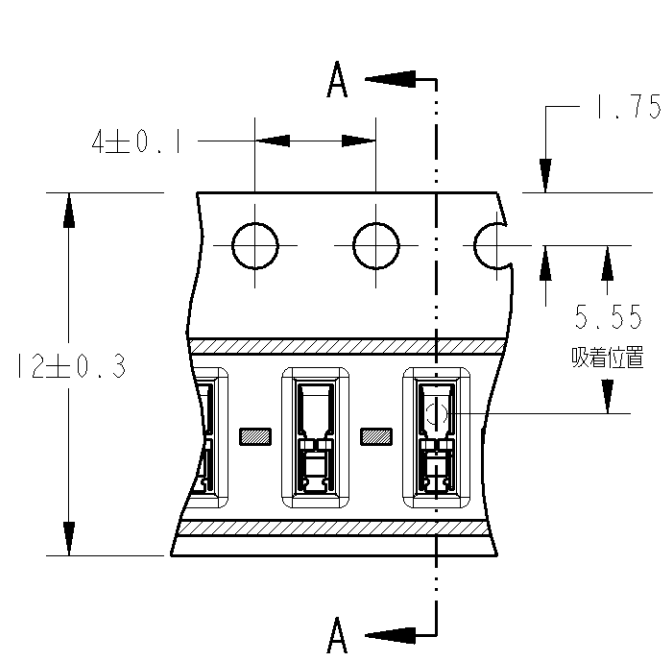
トレーラ部
160mmMIN
WITHOUT CHARGE

製品装填部
WITH PRODUCT CHARGE
5,000EA/REEL

300MIN
リーダ部 COVER TAPE
キャリアテープ空部 : 100mm MIN
WITHOUT CHARGE



→ DIRECTION OF TOP OF REEL



- 1 ; AS SHOWN
- 1 ; 本図

<small>THIS DRAWING IS A CONTROLLED DOCUMENT FOR TYCO ELECTRONICS CORPORATION IT IS SUBJECT TO CHANGE AND THE CONTROLLING ENGINEERING ORGANIZATION SHOULD BE CONTACTED FOR THE LATEST REVISION.</small>		DWN C.OHASHI 29JAN2004 CHK T.KIMURA 06APR2004 APVD K.IKEGAMI 06APR2004		tyco Electronics		Tyco Electronics AMP K.K. Kawasaki, Japan		
DIMENSIONS: mm		TOLERANCES UNLESS OTHERWISE SPECIFIED: ±0.2 0-PLC ± 1-PLC ±0.5 2-PLC ±0.13 3-PLC ±0.013 4-PLC ±0.0001 ANGLES ± FINISH SEE NOTE		PRODUCT SPEC 108-5967 APPLICATION SPEC -		NAME SHIELD FINGER 2411 ANTI OVER STRESS TYPE EMBOSS PACKING		
MATERIAL SEE NOTE		WEIGHT 0.01g		SIZE A3	CAGE CODE 00779	DRAWING NO C-1746854	RESTRICTED TO -	
CUSTOMER DRAWING						SCALE 15:1	SHEET 2 OF 2	REV 0



Looking for pricing, stock, or lifecycle information?

Click below to explore more details on WIN SOURCE:

 [View 1746854-1](#) on WIN SOURCE

 [TE Connectivity](#) Information

Optimize Your Supply Chain with WIN SOURCE Solutions

-  Global Sourcing Solution
-  Obsolete Management
-  Cost Control Management
-  Shortage Management
-  Alternative Solution
-  Excess Inventory Management