



**THE DATASHEET OF  
LT1307BCMS8#PBF**



## FEATURES

- Uses Small Ceramic Capacitors
- **50 $\mu$ A Quiescent Current (LT1307)**
- **1mA Quiescent Current (LT1307B)**
- **Operates with  $V_{IN}$  as Low as 1V**
- 600kHz Fixed Frequency Operation
- Starts into Full Load
- Low Shutdown Current: 3 $\mu$ A
- **Low-Battery Detector**
- 3.3V at 75mA from a Single Cell
- Automatic Burst Mode<sup>®</sup> Operation at Light Load (LT1307)
- Continuous Switching at Light Load (LT1307B)
- Low  $V_{CESAT}$  Switch: 295mV at 500mA

## APPLICATIONS

- Pagers
- Cordless Telephones
- GPS Receivers
- Battery Backup
- Portable Electronic Equipment
- Glucose Meters
- Diagnostic Medical Instrumentation

## DESCRIPTION

The LT<sup>®</sup>1307/LT1307B are micropower, fixed frequency DC/DC converters that operate from an input voltage as low as 1V. First in the industry to achieve true current mode PWM performance from a single cell supply, the LT1307 features automatic shifting to power saving Burst Mode operation at light loads. High efficiency is maintained over a broad 100 $\mu$ A to 100mA load range. The LT1307B does not shift into Burst Mode operation at light loads, eliminating low frequency output ripple at the expense of light load efficiency. The devices contain a low-battery detector with a 200mV reference and shut down to less than 5 $\mu$ A. No load quiescent current of the LT1307 is 50 $\mu$ A and the internal NPN power switch handles a 500mA current with a voltage drop of just 295mV.

Unlike competitive devices, large electrolytic capacitors are *not required* with the LT1307/LT1307B in single cell applications. The high frequency (600kHz) switching allows the use of tiny surface mount multilayer ceramic (MLC) capacitors along with small surface mount inductors. The devices work with just 10 $\mu$ F of output capacitance and require only 1 $\mu$ F of input bypassing.

The LT1307/LT1307B are available in 8-lead MSOP, PDIP and SO packages.

**LT**, LTC and LT are registered trademarks of Linear Technology Corporation. Burst Mode is a registered trademark of Linear Technology Corporation.

## TYPICAL APPLICATION

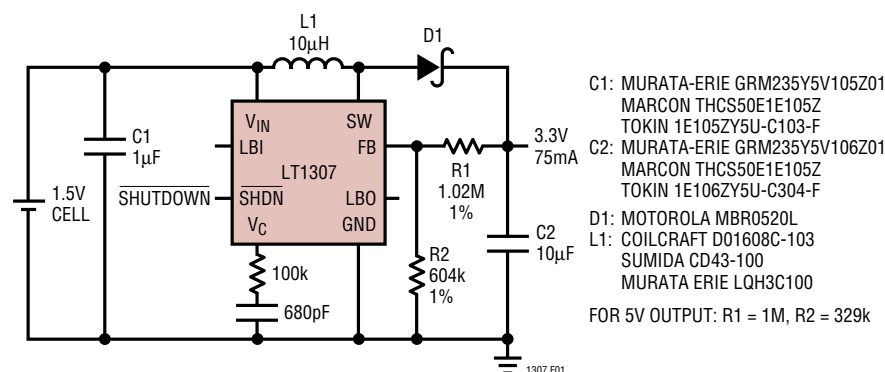
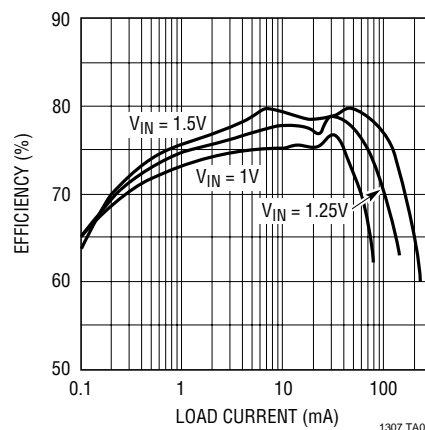


Figure 1. Single Cell to 3.3V Boost Converter

### Single Cell to 3.3V Converter Efficiency



1307 TA01

# LT1307/LT1307B

## ABSOLUTE MAXIMUM RATINGS (Note 1)

$V_{IN}$ , $\overline{SHDN}$ , LBO Voltage .....	12V	Junction Temperature .....	125°C
SW Voltage .....	30V	Operating Temperature Range	
FB Voltage .....	$V_{IN} + 1V$	Commercial (Note 2) .....	-20°C to 70°C
$V_C$ Voltage .....	2V	Industrial .....	-40°C to 85°C
LBI Voltage .....	$0V \leq V_{LBI} \leq 1V$	Storage Temperature Range .....	-65°C to 150°C
Current into FB Pin .....	$\pm 1mA$	Lead Temperature (Soldering, 10 sec) .....	300°C

## PACKAGE/ORDER INFORMATION

<p>MS8 PACKAGE 8-LEAD PLASTIC MSOP <math>T_{JMAX} = 125^{\circ}C, \theta_{JA} = 160^{\circ}C/W</math></p>	ORDER PART NUMBER	<p>N8 PACKAGE 8-LEAD PDIP S8 PACKAGE 8-LEAD PLASTIC SO <math>T_{JMAX} = 125^{\circ}C, \theta_{JA} = 100^{\circ}C/W</math> (N8) <math>T_{JMAX} = 125^{\circ}C, \theta_{JA} = 120^{\circ}C/W</math> (S8)</p>	ORDER PART NUMBER
	LT1307CMS8 LT1307BCMS8		LT1307CN8 LT1307CS8 LT1307IS8 LT1307BCS8 LT1307BIS8
	MS8 PART MARKING		S8 PART MARKING
	LTIC LTIB		1307    1307I 1307B    1307BI

Consult LTC Marketing for parts specified with wider operating temperature ranges.

## ELECTRICAL CHARACTERISTICS

The ● denotes the specifications which apply over the full operating temperature range, otherwise specifications are at  $T_A = 25^{\circ}C$ . Commercial Grade  $0^{\circ}C$  to  $70^{\circ}C$ .  $V_{IN} = 1.1V$ ,  $V_{\overline{SHDN}} = V_{IN}$ , LT1307/LT1307B unless otherwise noted.

SYMBOL	PARAMETER	CONDITIONS	MIN	TYP	MAX	UNITS	
$I_Q$	Quiescent Current	Not Switching (LT1307)	●	50	90	$\mu A$	
		Not Switching (LT1307B)	●	1.0	1.5	mA	
		$V_{\overline{SHDN}} = 0V$	●	1	3	$\mu A$	
$V_{FB}$	Feedback Voltage		●	1.20	1.22	1.24	V
$I_B$	FB Pin Bias Current (Note 3)	$V_{FB} = V_{REF}$	●	27	60	nA	
	Reference Line Regulation	$1V \leq V_{IN} \leq 2V$ ( $25^{\circ}C, 0^{\circ}C$ ) $1V \leq V_{IN} \leq 2V$ ( $70^{\circ}C$ ) $2V \leq V_{IN} \leq 5V$	●	0.6	1.1	%/V	
					1.5	%/V	
			●	0.3	0.8	%/V	
	Minimum Input Voltage			0.92	1	V	
	Input Voltage Range		●	1	5	V	
$g_m$	Error Amp Transconductance	$\Delta I = 5\mu A$	●	25	35	65	$\mu mhos$
$A_V$	Error Amp Voltage Gain	$25^{\circ}C, 0^{\circ}C$		35	100	V/V	
		$70^{\circ}C$		30		V/V	
$f_{osc}$	Switching Frequency		●	550	600	750	kHz

1307fa

## ELECTRICAL CHARACTERISTICS

The ● denotes the specifications which apply over the full operating temperature range, otherwise specifications are at  $T_A = 25^\circ\text{C}$ . Commercial Grade  $0^\circ\text{C}$  to  $70^\circ\text{C}$ .  $V_{IN} = 1.1\text{V}$ ,  $V_{SHDN} = V_{IN}$ , LT1307/LT1307B unless otherwise noted.

SYMBOL	PARAMETER	CONDITIONS	MIN	TYP	MAX	UNITS	
	Maximum Duty Cycle	$25^\circ\text{C}, 0^\circ\text{C}$ $70^\circ\text{C}$	80 76	84		% %	
	Switch Current Limit (Note 4)	DC = 40% DC = 75%	●	0.6 0.5	1.25	A A	
	Switch $V_{CESAT}$	$I_{SW} = 500\text{mA}$ ( $25^\circ\text{C}, 0^\circ\text{C}$ ) $I_{SW} = 500\text{mA}$ ( $70^\circ\text{C}$ )		295	350 400	mV mV	
	Burst Mode Operation Switch Current Limit (LT1307 Only)	L = $10\mu\text{H}$ L = $22\mu\text{H}$		100 50		mA mA	
	Shutdown Pin Current	$V_{SHDN} = V_{IN}$ $V_{SHDN} = 0\text{V}$	● ●	2.5 -1.5	4.0 -2.5	$\mu\text{A}$ $\mu\text{A}$	
	LBI Threshold Voltage		●	190	200	210	mV
	LBO Output Low	$I_{SINK} = 10\mu\text{A}$	●	0.1	0.25	V	
	LBO Leakage Current	$V_{LBI} = 250\text{mV}$ , $V_{LBO} = 5\text{V}$	●	0.01	0.1	$\mu\text{A}$	
	LBI Input Bias Current (Note 5)	$V_{LBI} = 150\text{mV}$	●	5	25	nA	
	Low-Battery Detector Gain	$1\text{M}\Omega$ Load ( $25^\circ\text{C}, 0^\circ\text{C}$ ) $1\text{M}\Omega$ Load ( $70^\circ\text{C}$ )		1000 500	3000	V/V V/V	
	Switch Leakage Current	$V_{SW} = 5\text{V}$	●	0.01	3	$\mu\text{A}$	
	Reverse Battery Current	(Note 6)		750		mA	

Commercial Grade  $T_A = -20^\circ\text{C}$ ,  $V_{IN} = 1.1\text{V}$ ,  $V_{SHDN} = V_{IN}$ , unless otherwise noted (Note 2).

SYMBOL	PARAMETER	CONDITIONS	MIN	TYP	MAX	UNITS
$I_Q$	Quiescent Current	$V_{FB} = 1.3\text{V}$ , Not Switching (LT1307) $V_{FB} = 1.3\text{V}$ , Not Switching (LT1307B) $V_{SHDN} = 0\text{V}$		50 1.1 1	100 1.6 3	$\mu\text{A}$ mA $\mu\text{A}$
$V_{FB}$	Feedback Voltage		1.195	1.22	1.245	V
$g_m$	Error Amp Transconductance	$\Delta I = 5\mu\text{A}$	25	35	65	$\mu\text{mhos}$
$A_V$	Error Amp Voltage Gain		35	100		V/V
$f_{OSC}$	Switching Frequency		500	600	750	kHz
	Maximum Duty Cycle		80	84		%
	Switch $V_{CESAT}$	$I_{SW} = 500\text{mA}$ , $V_{IN} = 1.2\text{V}$		250	350	mV
	Shutdown Pin Current	$V_{SHDN} = V_{IN}$ $V_{SHDN} = 0\text{V}$		2.5 -1.5	4.0 -2.5	$\mu\text{A}$ $\mu\text{A}$
	LBI Threshold Voltage		186	200	210	mV

## ELECTRICAL CHARACTERISTICS

The ● denotes the specifications which apply over the full operating temperature range, otherwise specifications are at  $T_A = 25^\circ\text{C}$ . Industrial Grade  $-40^\circ\text{C}$  to  $85^\circ\text{C}$ .  $V_{IN} = 1.1\text{V}$ ,  $V_{\overline{\text{SHDN}}} = V_{IN}$ , LT1307/LT1307B unless otherwise noted.

SYMBOL	PARAMETER	CONDITIONS	MIN	TYP	MAX	UNITS	
$I_Q$	Quiescent Current	$V_{FB} = 1.3\text{V}$ , Not Switching (LT1307)	●	50	100	$\mu\text{A}$	
		$V_{FB} = 1.3\text{V}$ , Not Switching (LT1307B)	●	1	1.8	$\text{mA}$	
		$V_{\overline{\text{SHDN}}} = 0\text{V}$	●	1	3	$\mu\text{A}$	
$V_{FB}$	Feedback Voltage		●	1.195	1.22	1.245	V
$I_B$	FB Pin Bias Current (Note 3)	$V_{FB} = V_{REF}$	●	10	27	100	$\text{nA}$
	Reference Line Regulation	$1\text{V} \leq V_{IN} \leq 2\text{V}$ ( $-40^\circ\text{C}$ )		0.6	1.1	$\%/V$	
		$1\text{V} \leq V_{IN} \leq 2\text{V}$ ( $85^\circ\text{C}$ )			3.2	$\%/V$	
		$2\text{V} \leq V_{IN} \leq 5\text{V}$	●	0.3	0.8	$\%/V$	
	Minimum Input Voltage	$-40^\circ\text{C}$		1.1	1.2	V	
		$85^\circ\text{C}$		0.8	1.0	V	
	Input Voltage Range		●		5	V	
$g_m$	Error Amp Transconductance	$\Delta I = 5\mu\text{A}$	●	25	35	65	$\mu\text{mhos}$
$A_V$	Error Amp Voltage Gain	$-40^\circ\text{C}$		35		V/V	
		$85^\circ\text{C}$		30		V/V	
$f_{OSC}$	Switching Frequency		●	500	600	750	$\text{kHz}$
		Maximum Duty Cycle	$-40^\circ\text{C}$		80	84	%
$85^\circ\text{C}$			75	80	%		
	Switch Current Limit (Note 4)	DC = 40%	●		0.6	1.25	A
		DC = 75%			0.5		A
	Switch $V_{CESAT}$	$I_{SW} = 500\text{mA}$ , $V_{IN} = 1.2\text{V}$ ( $-40^\circ\text{C}$ )		250	350	$\text{mV}$	
		$I_{SW} = 500\text{mA}$ ( $85^\circ\text{C}$ )		330	400	$\text{mV}$	
	Burst Mode Operation Switch Current Limit (LT1307 Only)	$L = 10\mu\text{H}$		100		$\text{mA}$	
		$L = 22\mu\text{H}$		50		$\text{mA}$	
	Shutdown Pin Current	$V_{\overline{\text{SHDN}}} = V_{IN}$	●	2.5	4.0	$\mu\text{A}$	
		$V_{\overline{\text{SHDN}}} = 0\text{V}$	●	-1.5	-2.5	$\mu\text{A}$	
	LBI Threshold Voltage		●	186	200	210	$\text{mV}$
	LBO Output Low	$I_{SINK} = 10\mu\text{A}$	●		0.1	0.25	V
	LBO Leakage Current	$V_{LBI} = 250\text{mV}$ , $V_{LBO} = 5\text{V}$	●		0.1	0.3	$\mu\text{A}$
	LBI Input Bias Current (Note 5)	$V_{LBI} = 150\text{mV}$	●		5	30	$\text{nA}$
	Low-Battery Detector Gain	$1\text{M}\Omega$ Load ( $-40^\circ\text{C}$ )		1000	6000	V/V	
		$1\text{M}\Omega$ Load ( $85^\circ\text{C}$ )		400		V/V	
	Switch Leakage Current	$V_{SW} = 5\text{V}$	●		0.01	3	$\mu\text{A}$

**Note 1:** Absolute Maximum Ratings are those values beyond which the life of a device may be impaired.

**Note 2:** Specifications for commercial (C) grade devices are guaranteed but not tested at  $-20^\circ\text{C}$ . MS8 package devices are designed for and intended to meet commercial temperature range specifications but are not tested at  $-20^\circ\text{C}$  or  $0^\circ\text{C}$ .

**Note 3:** Bias current flows into FB pin.

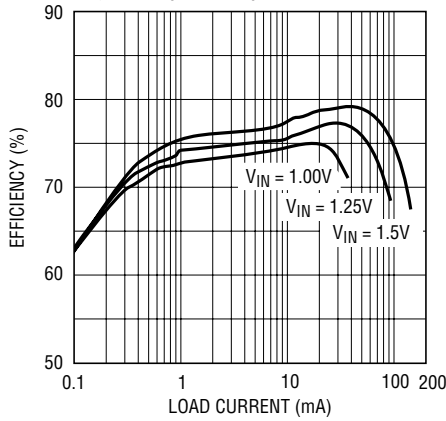
**Note 4:** Switch current limit guaranteed by design and/or correlation to static tests. Duty cycle affects current limit due to ramp generator.

**Note 5:** Bias current flows out of LBI pin.

**Note 6:** The LT1307/LT1307B will withstand continuous application of 1.6V applied to the GND pin while  $V_{IN}$  and SW are grounded.

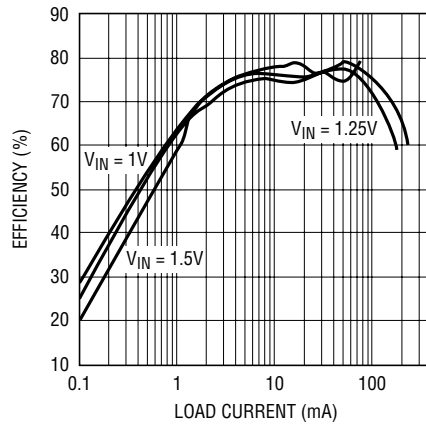
# TYPICAL PERFORMANCE CHARACTERISTICS

**5V Output Efficiency, Circuit of Figure 1 (LT1307)**



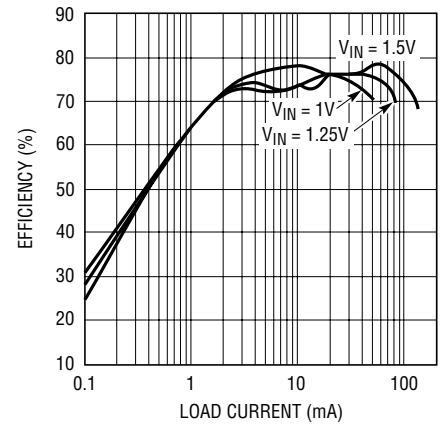
LT1307 • G01

**3.3V Output Efficiency, Circuit of Figure 1 (LT1307B)**



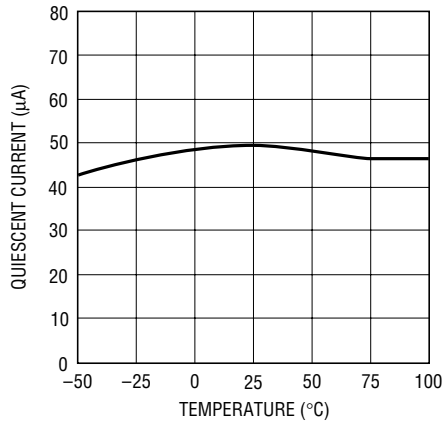
1307 G02

**5V Output Efficiency, Circuit of Figure 1 (LT1307B)**



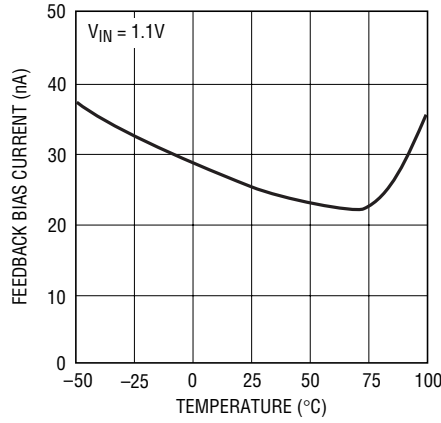
1307 G02

**Quiescent Current vs Temperature**



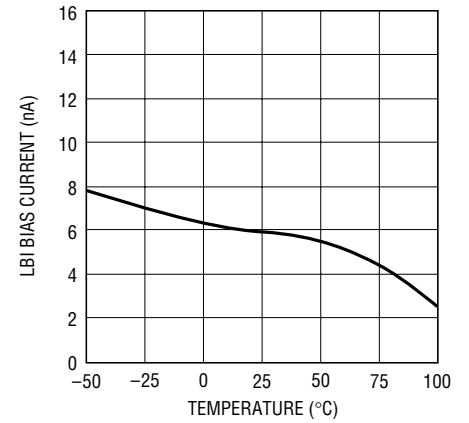
1307 G04

**Feedback Bias Current vs Temperature**



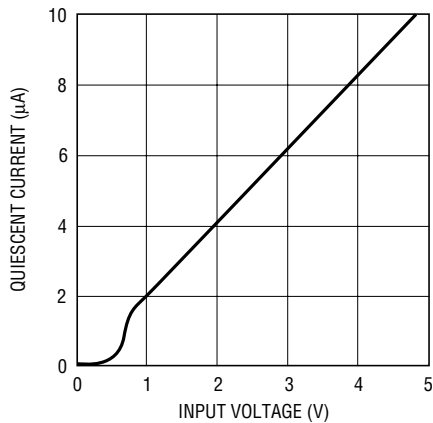
1307 G05

**LBI Bias Current vs Temperature**



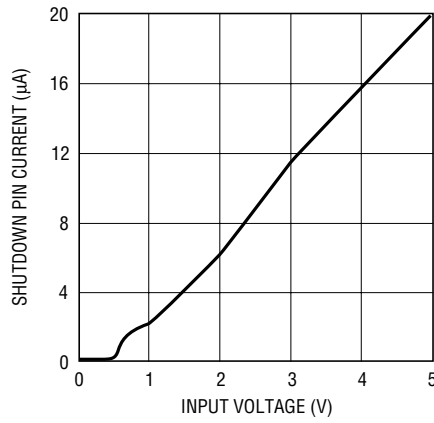
LT1307 • TPC06

**Quiescent Current in Shutdown**



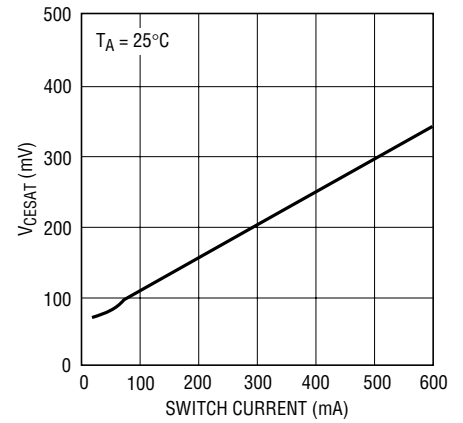
1307 G07

**Shutdown Pin Bias Current vs Input Voltage**



1307 G07

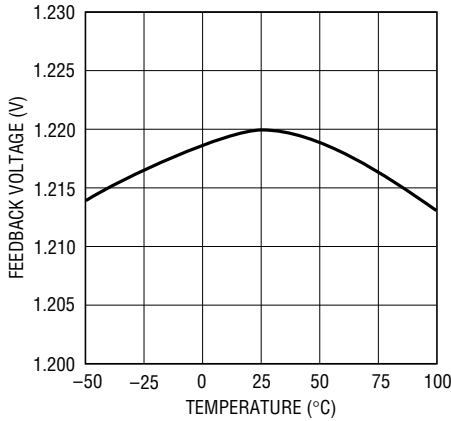
**Switch V<sub>CESAT</sub> vs Current**



LT1307 • TPC09

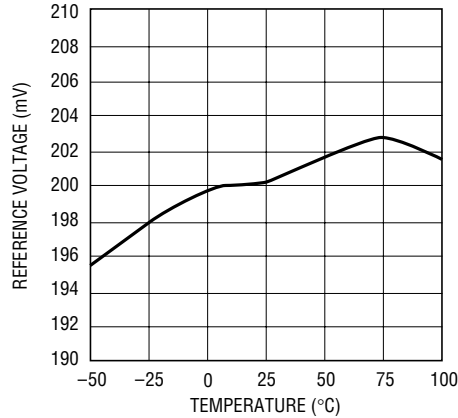
## TYPICAL PERFORMANCE CHARACTERISTICS

**Feedback Voltage vs Temperature**



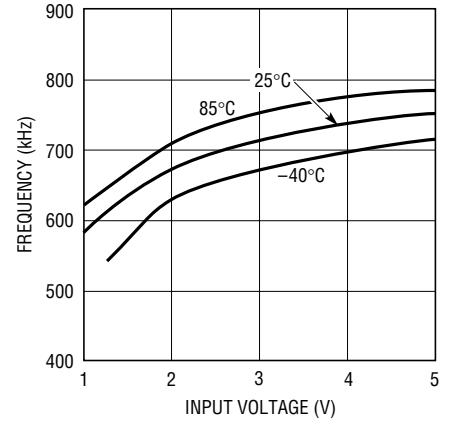
1307 G10

**LBI Reference vs Temperature**



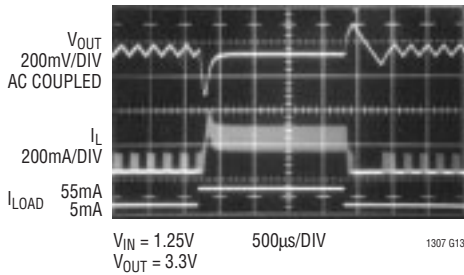
LT1307 • TPC11

**Oscillator Frequency vs Input Voltage**



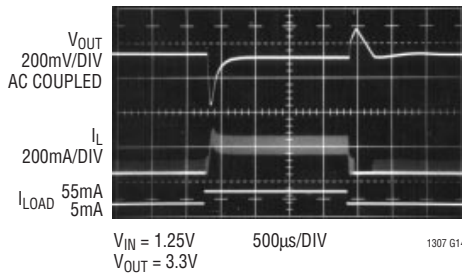
LT1307 • TPC12

**Transient Response (LT1307)**



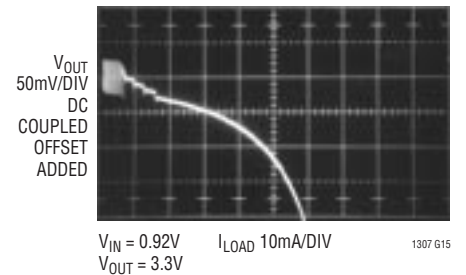
1307 G13

**Transient Response (LT1307B)**



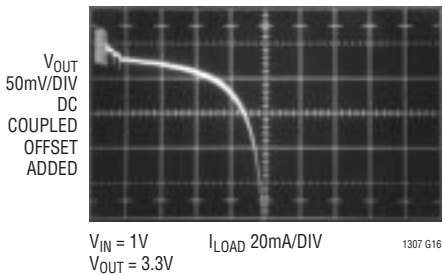
1307 G14

**Load Regulation (LT1307)**



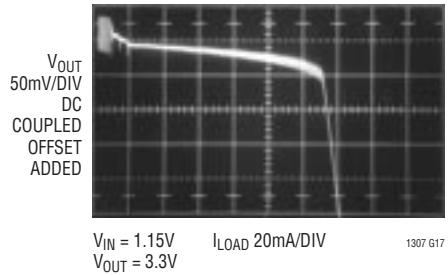
1307 G15

**Load Regulation (LT1307)**



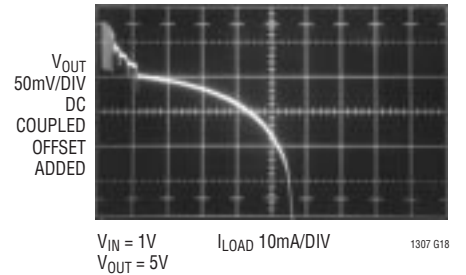
1307 G16

**Load Regulation (LT1307)**



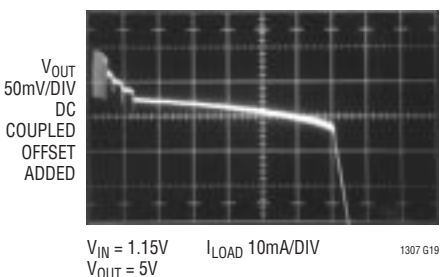
1307 G17

**Load Regulation (LT1307)**



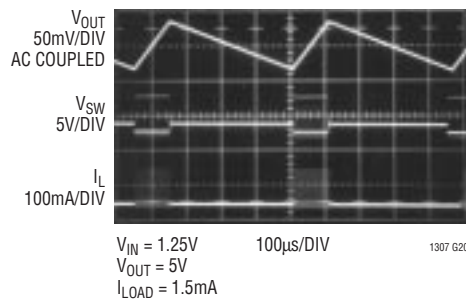
1307 G18

**Load Regulation (LT1307)**



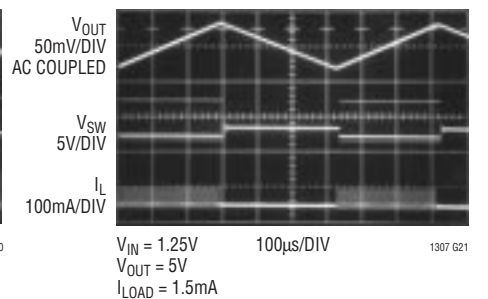
1307 G19

**Circuit Operation, L = 10µH (LT1307)**



1307 G20

**Circuit Operation, L = 22µH (LT1307)**



1307 G21

1307fa

## PIN FUNCTIONS

**V<sub>C</sub> (Pin 1):** Compensation Pin for Error Amplifier. Connect a series RC from this pin to ground. Typical values are 100kΩ and 680pF. Minimize trace area at V<sub>C</sub>.

**FB (Pin 2):** Feedback Pin. Reference voltage is 1.22V. Connect resistor divider tap here. Minimize trace area at FB. Set V<sub>OUT</sub> according to:  $V_{OUT} = 1.22V(1 + R1/R2)$ .

**SHDN (Pin 3):** Shutdown. Ground this pin to turn off switcher. Must be tied to V<sub>IN</sub> (or higher voltage) to enable switcher. Do not float the  $\overline{\text{SHDN}}$  pin.

**GND (Pin 4):** Ground. Connect directly to local ground plane.

**SW (Pin 5):** Switch Pin. Connect inductor/diode here. Minimize trace area at this pin to keep EMI down.

**V<sub>IN</sub> (Pin 6):** Supply Pin. Must have 1μF ceramic bypass capacitor right at the pin, connected directly to ground.

**LBI (Pin 7):** Low-Battery Detector Input. 200mV reference. Voltage on LBI must stay between ground and 700mV.

**LBO (Pin 8):** Low-Battery Detector Output. Open collector, can sink 10μA. A 1MΩ pull-up is recommended.

## BLOCK DIAGRAM

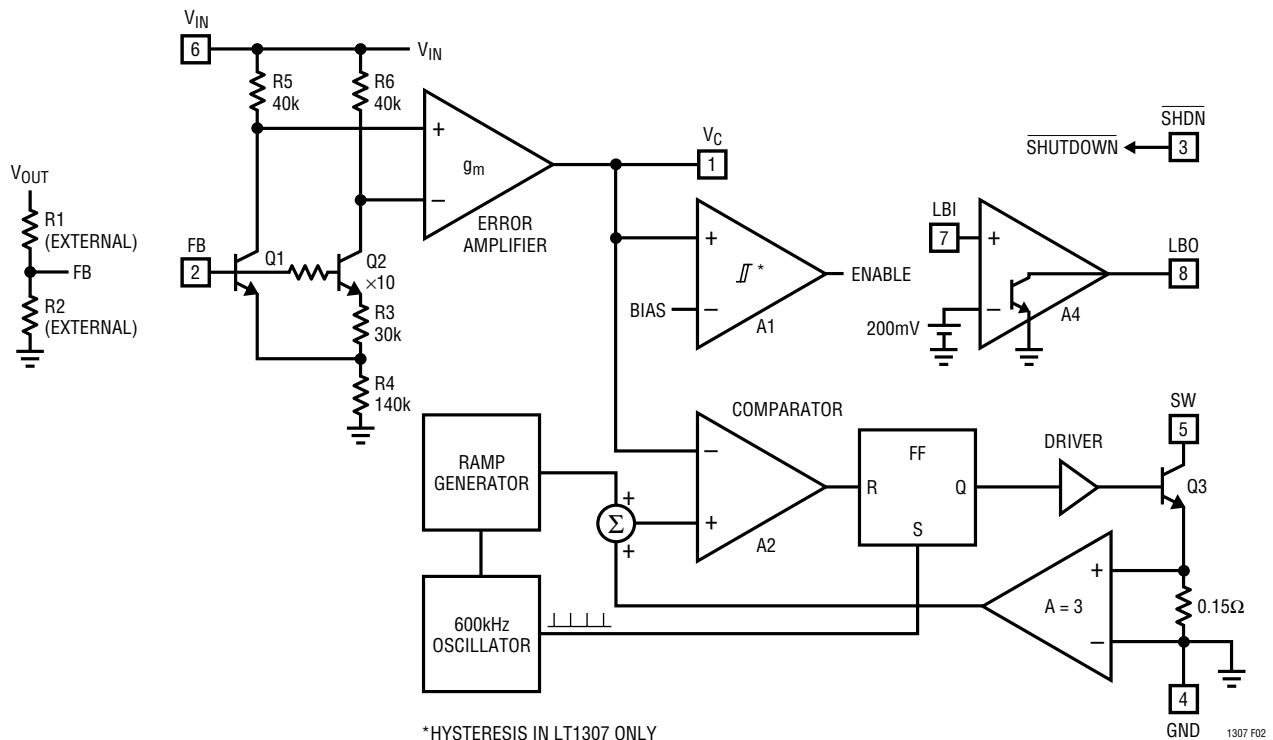


Figure 2. LT1307/LT1307B Block Diagram

## APPLICATIONS INFORMATION

### OPERATION

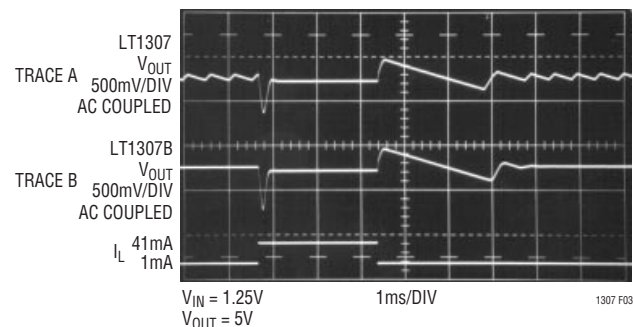
The LT1307 combines a current mode, fixed frequency PWM architecture with Burst Mode micropower operation to maintain high efficiency at light loads. Operation can best be understood by referring to the block diagram in Figure 2. Q1 and Q2 form a bandgap reference core whose loop is closed around the output of the converter. When  $V_{IN}$  is 1V, the feedback voltage of 1.22V, along with an 80mV drop across R5 and R6, forward biases Q1 and Q2's base collector junctions to 300mV. Because this is not enough to saturate either transistor, FB can be at a higher voltage than  $V_{IN}$ . When there is no load, FB rises slightly above 1.22V, causing  $V_C$  (the error amplifier's output) to decrease. When  $V_C$  reaches the bias voltage on hysteretic comparator A1, A1's output goes low, turning off all circuitry except the input stage, error amplifier and low-battery detector. Total current consumption in this state is 50 $\mu$ A. As output loading causes the FB voltage to decrease, A1's output goes high, enabling the rest of the IC. Switch current is limited to approximately 100mA initially after A1's output goes high. If the load is light, the output voltage (and FB voltage) will increase until A1's output goes low, turning off the rest of the LT1307. Low frequency ripple voltage appears at the output. The ripple frequency is dependent on load current and output capacitance. This Burst Mode operation keeps the output regulated and reduces average current into the IC, resulting in high efficiency even at load currents of 100 $\mu$ A or less.

If the output load increases sufficiently, A1's output remains high, resulting in continuous operation. When the LT1307 is running continuously, peak switch current is controlled by  $V_C$  to regulate the output voltage. The switch is turned on at the beginning of each switch cycle. When the summation of a signal representing switch current and a ramp generator (introduced to avoid subharmonic oscillations at duty factors greater than 50%) exceeds the  $V_C$  signal, comparator A2 changes state, resetting the flip-flop and turning off the switch. Output voltage increases as switch current is increased. The output, attenuated by a resistor divider, appears at the FB pin, closing the overall loop. Frequency compensation is provided by an external series RC network connected between the  $V_C$  pin and ground. Low-battery detector A4's open collector output (LBO) pulls low when the LBI pin voltage drops below

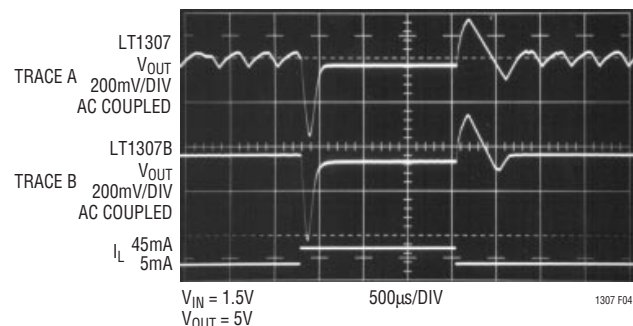
200mV. There is no hysteresis in A4, allowing it to be used as an amplifier in some applications. The entire device is disabled when the  $\overline{\text{SHDN}}$  pin is brought low. To enable the converter,  $\overline{\text{SHDN}}$  must be at  $V_{IN}$  or at a higher voltage.

The LT1307B differs from the LT1307 in that there is no hysteresis in comparator A1. Also, the bias point on A1 is set lower than on the LT1307 so that switching can occur at inductor current less than 100mA. Because A1 has no hysteresis, there is no Burst Mode operation at light loads and the device continues switching at constant frequency. This results in the absence of low frequency output voltage ripple at the expense of efficiency.

The difference between the two devices is clearly illustrated in Figures 3 and 4. The top two traces in Figure 3 show an LT1307/LT1307B circuit, using the components indicated in Figure 1, set to a 5V output. Input voltage is 1.25V. Load current is stepped from 1mA to 41mA for both circuits. Low frequency Burst Mode operation voltage ripple is observed on Trace A, while none is observed on



**Figure 3. LT1307 Exhibits Burst Mode Operation Ripple at 1mA Load, LT1307B Does Not**

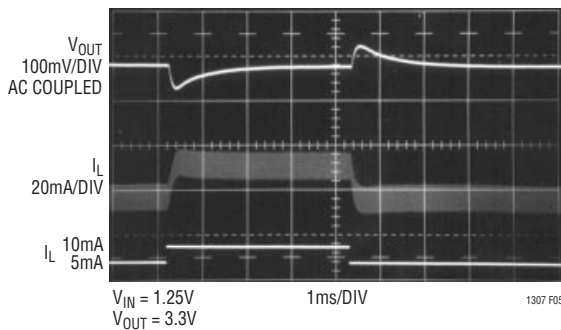


**Figure 4. At Higher Loading and a 1.5V Supply, LT1307 Again Exhibits Burst Mode Operation Ripple at 5mA Load, LT1307B Does Not**

## APPLICATIONS INFORMATION

Trace B. Similarly, Figure 4 details the two circuits with a load step from 5mA to 45mA with a 1.5V input.

The LT1307B also can be used in lower current applications where a clean, low ripple output is needed. Figure 5 details transient response of a single cell to 3.3V converter, using an inductor value of 100 $\mu$ H. This high inductance minimizes ripple current, allowing the LT1307B to regulate without skipping cycles. As the load current is stepped from 5mA to 10mA, the output voltage responds cleanly. Note that the  $V_C$  pin loop compensation has been made more conservative (increased C, decreased R).



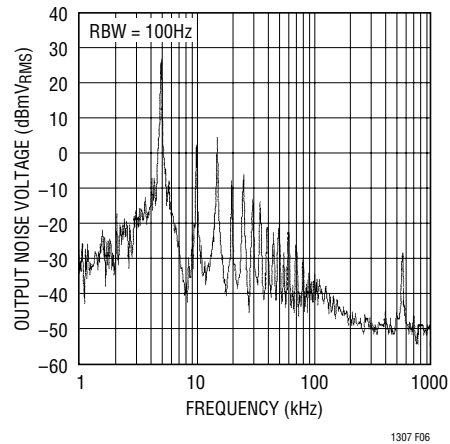
**Figure 5. Increasing L to 100 $\mu$ H, Along with  $R_C = 36k$ ,  $C_C = 20nF$  and  $C_{OUT} = 10\mu F$ , Low Noise Performance of LT1307B Can Be Realized at Light Loads of 5mA to 10mA**

At light loads, the LT1307B will begin to skip alternate cycles. The load point at which this occurs can be decreased by increasing the inductor value. However, output ripple will continue to be significantly less than the LT1307 output ripple. Further, the LT1307B can be forced into micropower mode, where  $I_Q$  falls from 1mA to 50 $\mu$ A by pulling down  $V_C$  to 0.3V or less externally.

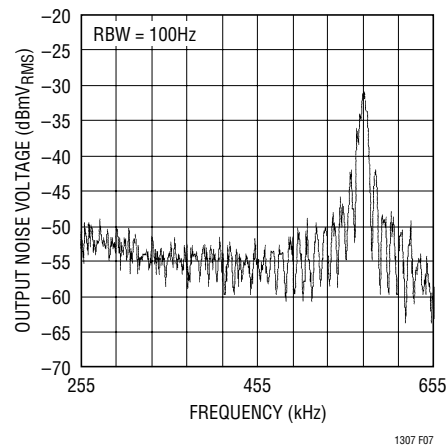
### DC/DC CONVERTER NOISE CONSIDERATIONS

Switching regulator noise is a significant concern in many communications systems. The LT1307 is designed to keep noise energy out of the sensitive 455kHz band at all load levels while consuming only 60 $\mu$ W to 100 $\mu$ W at no load. At light load levels, the device is in Burst Mode, causing low frequency ripple to appear at the output. Figure 6 details spectral noise directly at the output of Figure 1's circuit in a 1kHz to 1MHz bandwidth. The converter supplies a 5mA load from a 1.25V input. The Burst Mode fundamental at 5.1kHz and its harmonics are

quite evident, as is this particular device's 575kHz switching frequency (nominal switching frequency is 600kHz). Note, however, the absence of significant energy at 455kHz. Figure 7's plot reduces the frequency span from 255kHz to 655kHz with a 455kHz center. Burst Mode low frequency ripple creates sidebands around the 575kHz switching fundamental. These sidebands have low signal amplitude at 455kHz, measuring  $-55dBmV_{RMS}$ . As load current is further reduced, the Burst Mode frequency decreases. This spaces the sidebands around the switching frequency closer together, moving spectral energy further



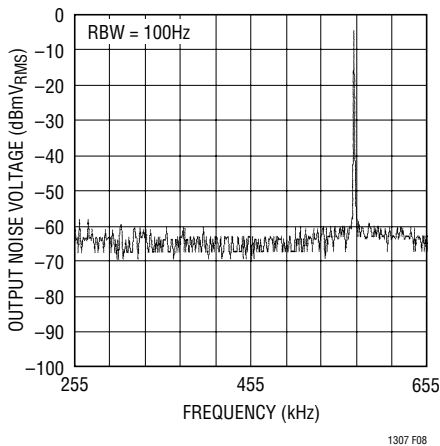
**Figure 6. Spectral Noise Plot of 3.3V Converter Delivering 5mA Load. Burst Mode Fundamental at 5.1kHz is 23dBmV<sub>RMS</sub> or 14mV<sub>RMS</sub>**



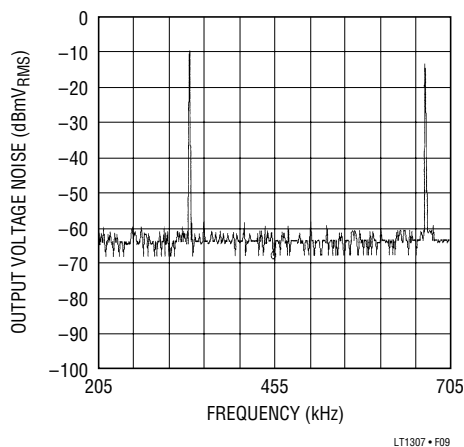
**Figure 7. Span Centered at 455kHz Shows  $-55dBmV_{RMS}$  (1.8 $\mu$ V<sub>RMS</sub>) at 455kHz. Burst Mode Creates Sidebands 5.1kHz Apart Around the Switching Frequency Fundamental of 575kHz**

## APPLICATIONS INFORMATION

away from 455kHz. Figure 8 shows the noise spectrum of the converter with the load increased to 20mA. The LT1307 shifts out of Burst Mode operation, eliminating low frequency ripple. Spectral energy is present only at the switching fundamental and its harmonics. Noise voltage measures  $-5\text{dBmV}_{\text{RMS}}$  or  $560\mu\text{V}_{\text{RMS}}$  at the 575kHz switching frequency, and is below  $-60\text{dBmV}_{\text{RMS}}$  for all other frequencies in the range. By combining Burst Mode with fixed frequency operation, the LT1307 keeps noise away from 455kHz.



**Figure 8. With Converter Delivering 20mA, Low Frequency Sidebands Disappear. Noise is Present Only at the 575kHz Switching Frequency**

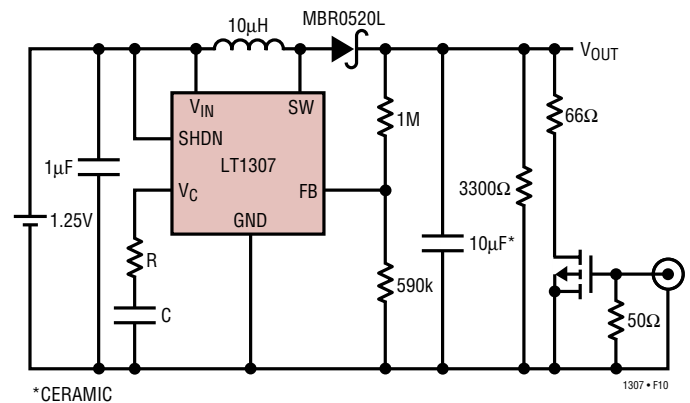


**Figure 9. LT1307B at 5mA Load Shows No Audio Components or Sidebands About Switching Frequency, 333kHz Fundamental Amplitude is  $-10\text{dBmV}$ , or  $316\mu\text{V}_{\text{RMS}}$**

To eliminate the low frequency noise of Figure 6, the LT1307 can be replaced with the LT1307B. Figure 9 details the spectral noise at the output of Figure 1's circuit using an LT1307B at 5mA load. Although spectral energy is present at 333kHz due to alternate pulse skipping, all Burst Mode operation spectral components are gone. Alternate pulse skipping can be eliminated by increasing inductance.

## FREQUENCY COMPENSATION

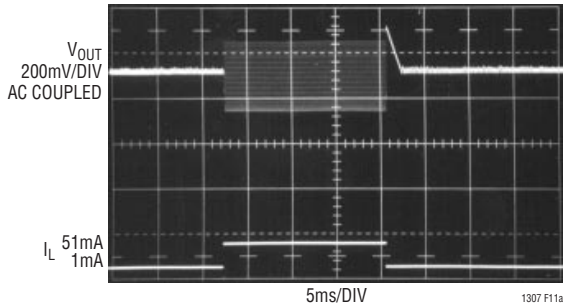
Obtaining proper values for the frequency compensation network is largely an empirical, iterative procedure, since variations in input and output voltage, topology, capacitor value and ESR, and inductance make a simple formula elusive. As an example, consider the case of a 1.25V to 3.3V boost converter supplying 50mA. To determine optimum compensation, the circuit is built and a transient load is applied to the circuit. Figure 10 shows the setup.



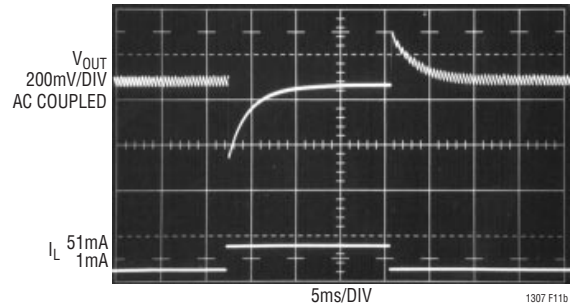
**Figure 10. Boost Converter with Simulated Load**

Figure 11a details transient response without compensation components. Although the output ripple voltage at a 1mA load is low, allowing the error amplifier to operate wideband results in excessive ripple at a 50mA load. Some kind of loop stabilizing network is obviously required. A 100k/22nF series RC is connected to the  $V_C$  pin, resulting in the response pictured in Figure 11b. The output settles in about 7ms to 8ms. This may be acceptable, but we can do better. Reducing C to 2nF gives Figure 11c's response. This is clearly in the right direction. After another order of magnitude reduction, Figure 11d's response shows some

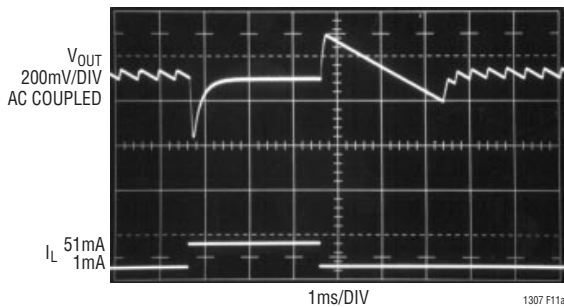
## APPLICATIONS INFORMATION



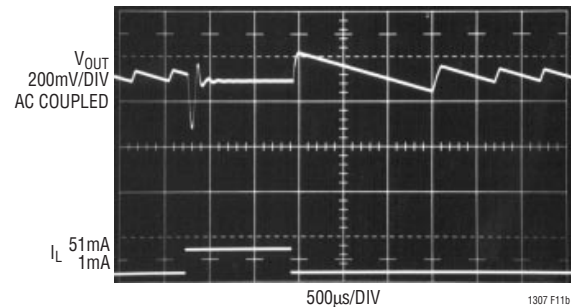
**Figure 11a.  $V_C$  Pin Left Unconnected. Output Ripple Voltage is 300mV<sub>p-p</sub> Under Load**



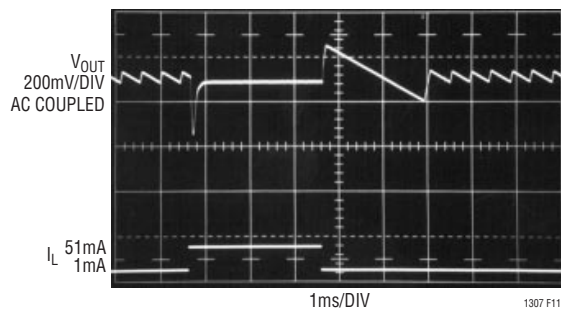
**Figure 11b. Inclusion of a 100k/22nF Series RC on  $V_C$  Pin Results in Overdamped Stable Response**



**Figure 11c. Reducing C to 2nF Speeds Up Response, Although Still Overdamped**



**Figure 11d. A 100k/200pF Series RC Shows Some Underdamping**



**Figure 11e. A 100k/680pF RC Provides Optimum Settling Time with No Ringing**

underdamping. Now settling time is about 300µs. Increasing C to 680pF results in the response shown in Figure 11e. This response has minimum settling time with no overshoot or underdamping.

Converters using a 2-cell input need more capacitance at the output. This added capacitance moves in the output

pole, requiring added C at the  $V_C$  pin network to prevent loop oscillation.

Observant readers will notice R has been set to 100k for all the photos in Figure 11. Usable R values can be found in the 10k to 500k range, but after too many trips to the resistor bins, 100k wins.



## APPLICATIONS INFORMATION

tions where small size is not critical, Panasonic HFQ series aluminum electrolytic capacitors have been found to perform well.

**Table 2. Vendor Telephone Numbers**

VENDOR	COMPONENTS	TELEPHONE
Coilcraft	Inductors	(708) 639-6400
Marcon	Capacitors	(708) 913-9980
Murata-Erie	Inductors, Capacitors	(404) 436-1300
Sumida	Inductors	(847) 956-0666
Tokin	Capacitors	(408) 432-8020
AVX	Capacitors	(207) 282-5111
Sprague	Capacitors	(603) 224-1961
Coiltronics	Inductors	(407) 241-7876

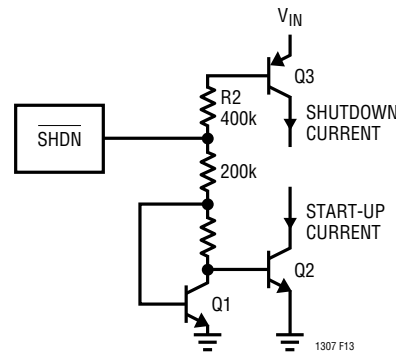
### Diodes

Most of the application circuits on this data sheet specify the Motorola MBR0520L surface mount Schottky diode. This 0.5A, low drop diode complements the LT1307 quite well. In lower current applications, a 1N4148 can be used, although efficiency will suffer due to the higher forward drop. This effect is particularly noticeable at low output voltages. For higher voltage output applications, such as LCD bias generators, the extra drop is a small percentage of the output voltage so the efficiency penalty is small. The low cost of the 1N4148 makes it attractive wherever it can be used. In through hole applications the 1N5818 is the all around best choice.

### SHUTDOWN PIN

The LT1307 has a Shutdown pin ( $\overline{\text{SHDN}}$ ) that must be grounded to shut the device down or tied to a voltage equal or greater than  $V_{IN}$  to operate. The shutdown circuit is shown in Figure 13.

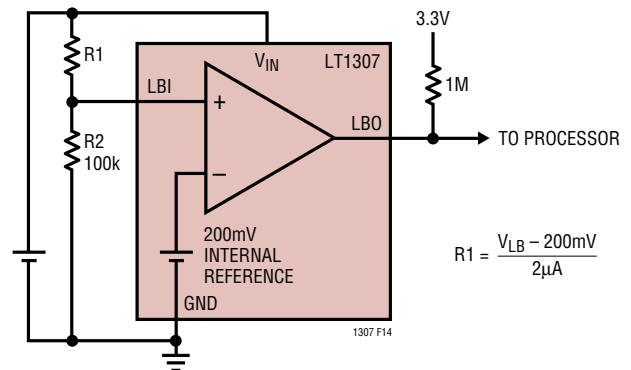
Note that allowing  $\overline{\text{SHDN}}$  to float turns on both the start-up current (Q2) and the shutdown current (Q3) for  $V_{IN} > 2V_{BE}$ . The LT1307 doesn't know what to do in this situation and behaves erratically.  $\overline{\text{SHDN}}$  voltage above  $V_{IN}$  is allowed. This merely reverse-biases Q3's base emitter junction, a benign condition.



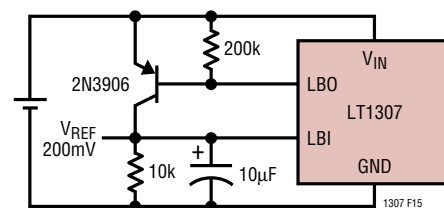
**Figure 13. Shutdown Circuit**

### LOW-BATTERY DETECTOR

The LT1307's low-battery detector is a simple PNP input gain stage with an open collector NPN output. The negative input of the gain stage is tied internally to a 200mV  $\pm 5\%$  reference. The positive input is the LBI pin. Arrangement as a low-battery detector is straightforward. Figure 14 details hookup. R1 and R2 need only be low enough in value so that the bias current of the LBI pin doesn't cause large errors. For R2, 100k is adequate. The 200mV reference can also be accessed as shown in Figure 15.



**Figure 14. Setting Low-Battery Detector Trip Point**



**Figure 15. Accessing 200mV Reference**

## APPLICATIONS INFORMATION

### REVERSE BATTERY CONSIDERATIONS

The LT1307 is built on a junction-isolated bipolar process. The p-type substrate is connected to the GND pin of the LT1307. Substrate diodes, normally reverse-biased, are present on the SW pin and the  $V_{IN}$  pin as shown in Figure 16. When the battery polarity is reversed, these diodes conduct, as illustrated in Figure 17. With a single AA or AAA cell, several hundred milliamperes flow in the circuit. The LT1307 can withstand this current without damage. In laboratory tests, the LT1307 performed without degrada-

tion after sustaining polarity reversal for the life of a single AA alkaline cell.

When using a 2- or 3-cell supply, an external protection diode is recommended as shown in Figure 18. When the battery polarity is reversed, the 1N4001 conducts, limiting reverse voltage across the LT1307 to a single diode drop. This arrangement will quickly deplete the cells' energy, but it does prevent the LT1307 from excessive power dissipation and potential damage.

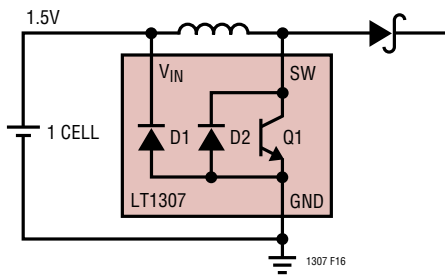


Figure 16. LT1307 Showing Internal Substrate Diodes D1 and D2. In Normal Operation Diodes are Reverse-Biased

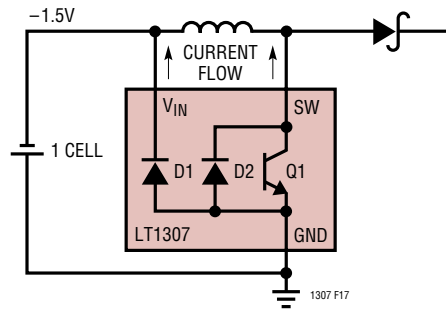


Figure 17. When Cell Is Reversed Current Flows through D1 and D2

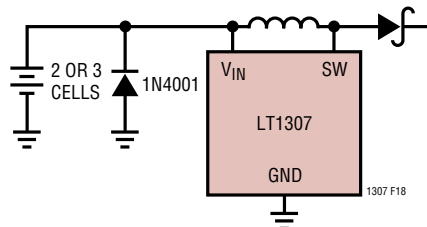
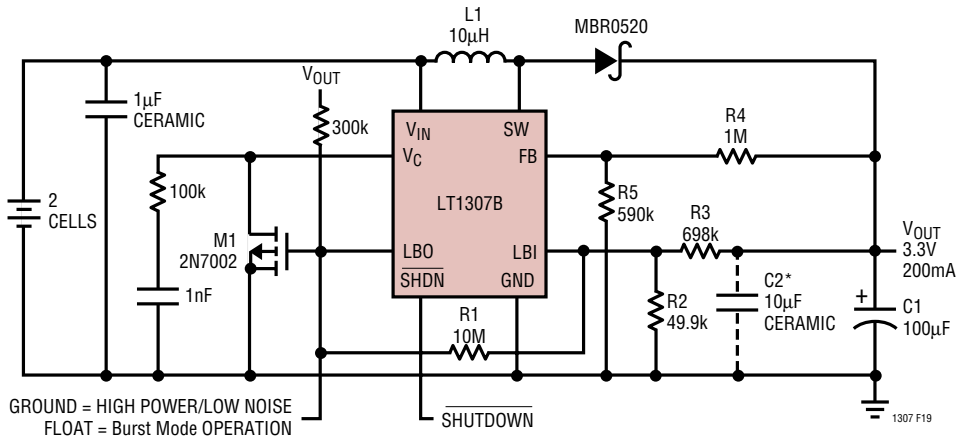


Figure 18. 1N4001 Diode Protects LT1307 from Excessive Power Dissipation When a 2- or 3-Cell Battery is Used

# TYPICAL APPLICATIONS

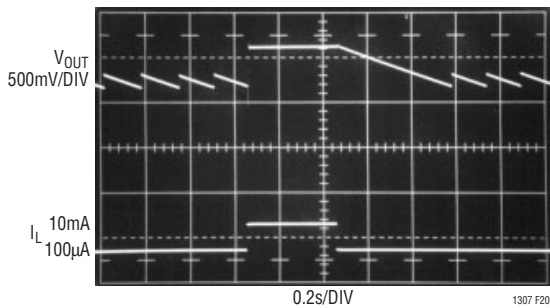
## Externally Controlled Burst Mode Operation



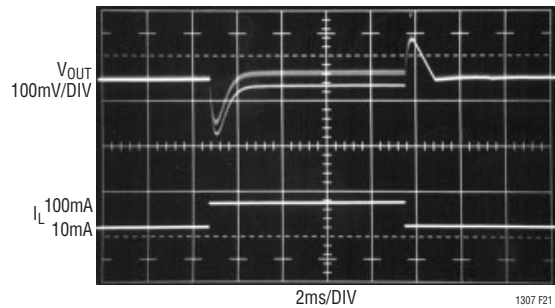
3.0V IN LOW-POWER Burst Mode OPERATION  
 C1 = AVX TPSC107K006R0150  
 L1 = COILCRAFT DO1608-103  
 SUMIDA CD43-100  
 \*C2 OPTIONAL: REDUCES OUTPUT RIPPLE CAUSED BY C1'S ESR

This circuit overcomes the limitation of load-based transitioning between Burst Mode operation and constant switching mode by adding external control. If M1's gate is grounded by an external open-drain signal, the converter functions normally in constant switching mode, delivering 3.3V. Output noise is low, however efficiency at loads less than 1mA is poor due to the 1mA supply current of the LT1307B. If M1's gate is allowed to float, the low-battery

detector now drives the VC pin. R3 and R2 set the output to 3V by allowing M1's gate to go to VOUT until the output voltage drops below 3V. R1 adds hysteresis, resulting in low-frequency Burst Mode operation ripple voltage at the output. By pulling the VC pin below a VBE, quiescent current of the LT1307B drops to 60µA, resulting in acceptable efficiency at loads in the 100µA range.



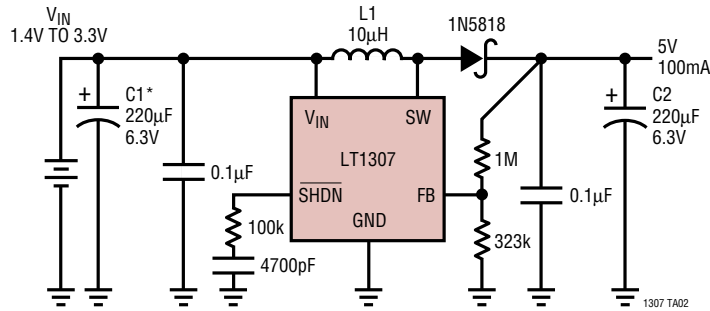
This photo details output voltage as the circuit is switched between the two modes. Load current is 100µA in Burst Mode operation; 10mA in constant switching mode.



This photo shows transient response in constant switching mode with a 10mA to 100mA stepped load. Output ripple at the switching frequency can be reduced considerably by adding a 10µF ceramic capacitor in parallel with the 100µF tantalum.

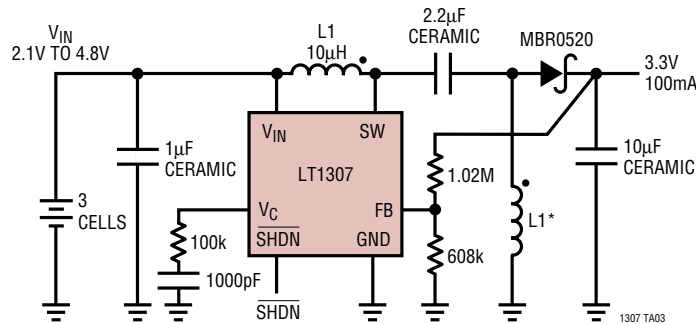
TYPICAL APPLICATIONS

Low Cost 2-Cell to 5V



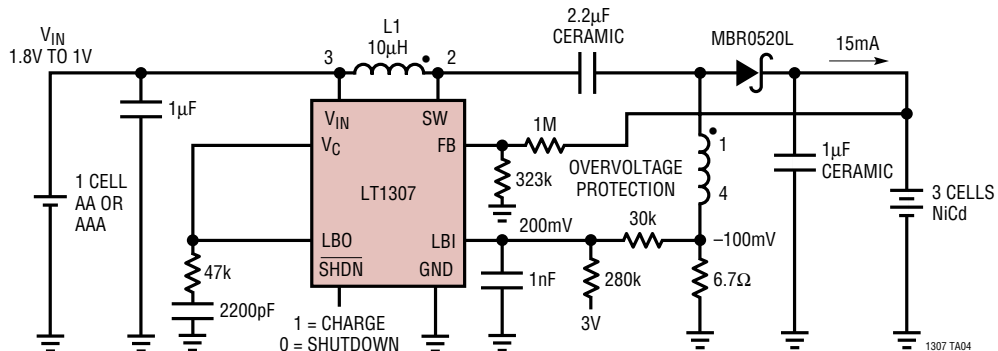
C1, C2: PANASONIC ECA0JFQ221  
(DIGI-KEY P5604-ND)  
L1: SUMIDA CD43-100

Step-Up/Step-Down Converter



L1: COILTRONICS CTX10-1 OR 2 MURATA ERIE LQH3C100  
EFFICIENCY ≈ 70% TO 73%

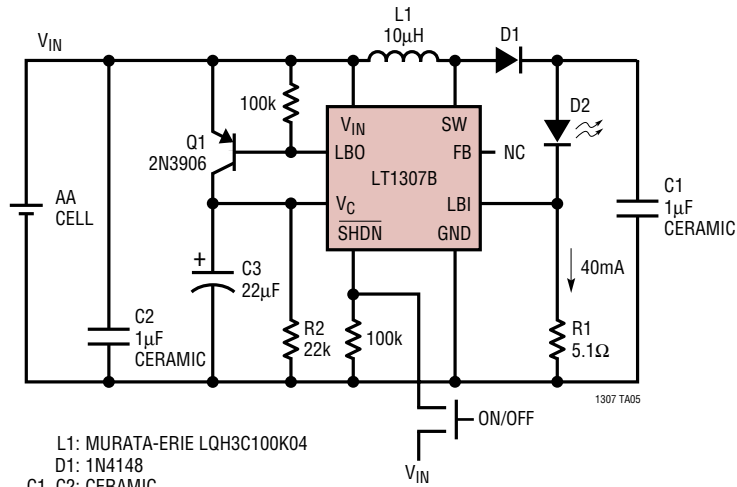
Constant Current NiCd Battery Charger with Overvoltage Protection for Acknowledge-Back Pagers



L1: COILTRONICS CTX10-1

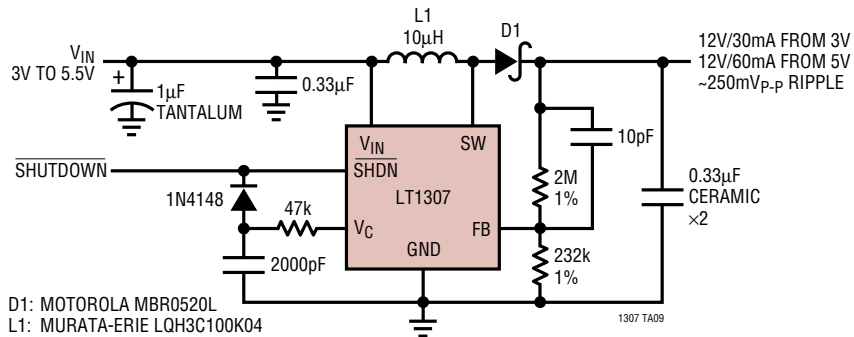
# TYPICAL APPLICATIONS

## Single Cell Powered Constant Current LED Driver



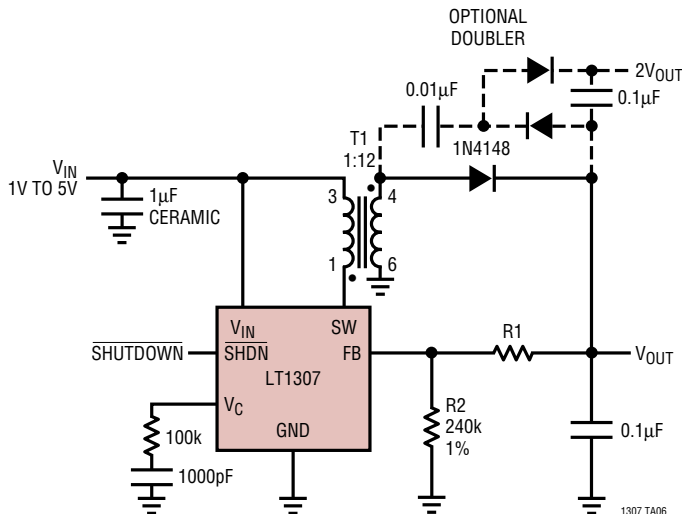
- L1: MURATA-ERIE LQH3C100K04
- D1: 1N4148
- C1, C2: CERAMIC
- D2, D3: LUMEX SSL-X100133SRC/4 "MEGA-BRITE" RED LED  
OR PANASONIC LNG992CF9 HIGH BRIGHTNESS BLUE LED

## Flash Memory VPP Supply



- D1: MOTOROLA MBR0520L
- L1: MURATA-ERIE LQH3C100K04

## High Voltage Flyback Converter



T1: DALE LPE3325-A190, n = 12 (605) 665-9301

$$V_{OUT} = 1.22V \left( 1 + \frac{R1}{R2} \right)$$

MAXIMUM DUTY CYCLE: ≈80%

$$\text{FOR FLYBACK, } V_{OUT} = \frac{DC}{1-DC} \cdot n(V_{IN} - V_{SW})$$

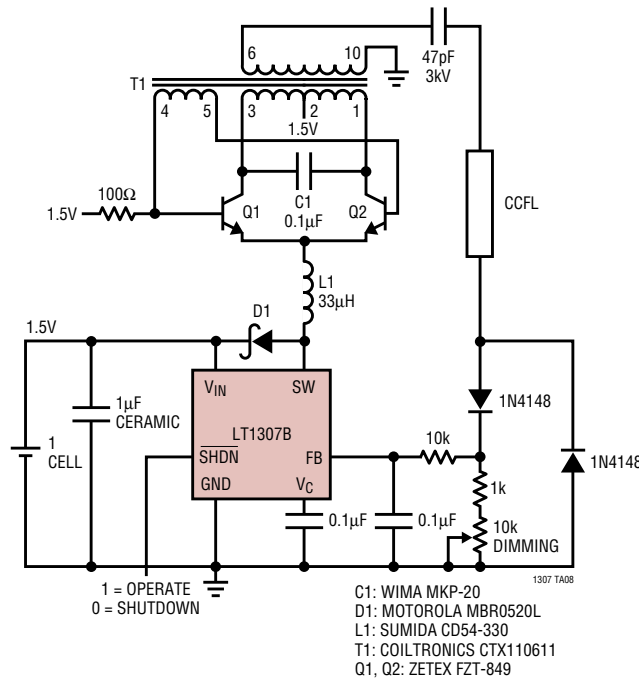
$$\text{FOR } 1V_{IN}, \text{ MAXIMUM } V_{OUT} = \frac{0.8}{1-0.8} \cdot 12(1-0.2) \approx 37V$$

FOR 2VIN, MAXIMUM VOUT ≈ 85V.

HIGHER VOLTAGES ACHIEVED WITH CAPACITIVE DOUBLER OR TRIPLER  
NO SNUBBER REQUIRED WITH SPECIFIED TRANSFORMER AND VIN < 5V

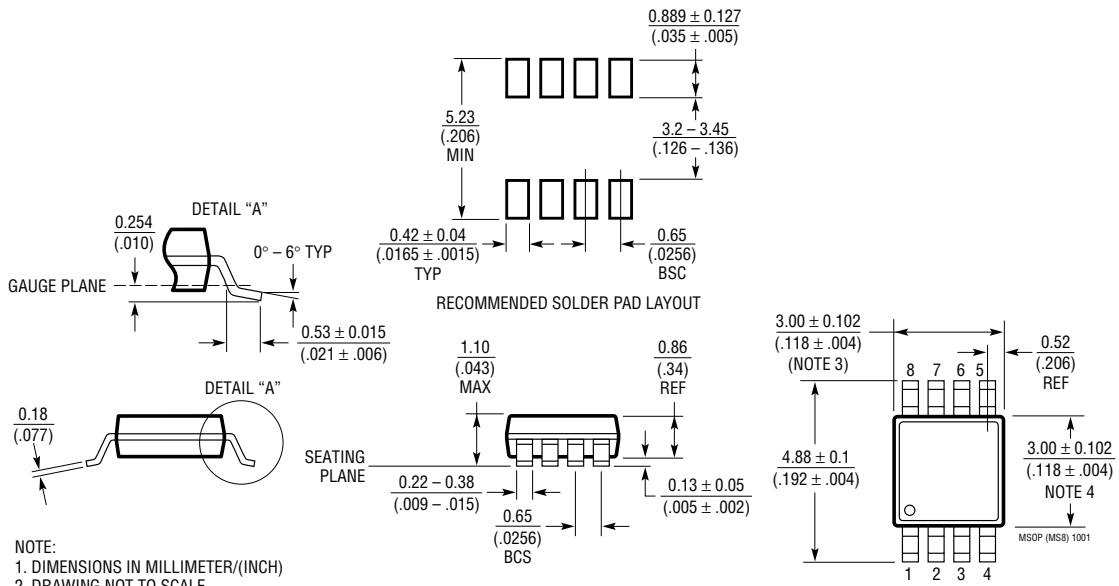
# TYPICAL APPLICATIONS

Single Cell CCFL Power Supply



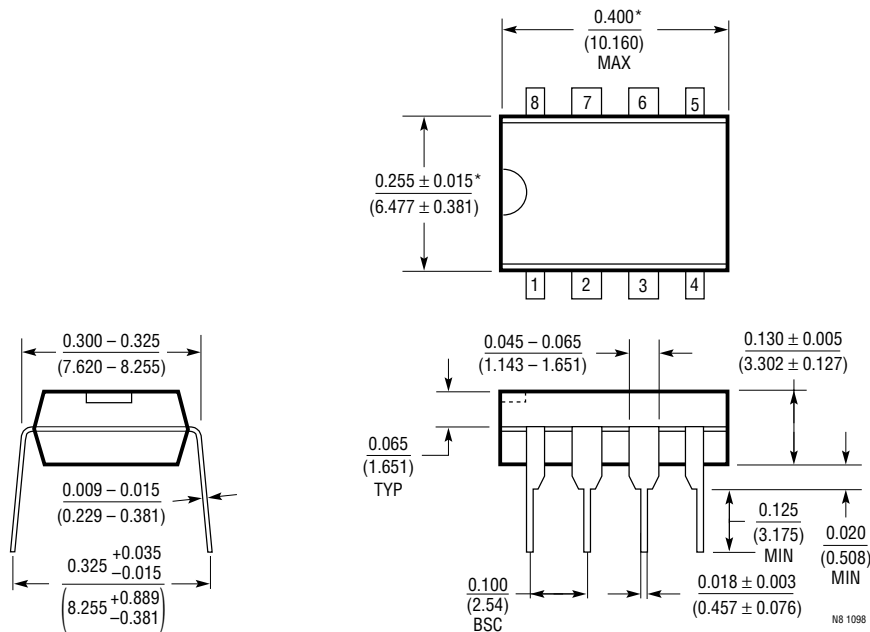
# PACKAGE DESCRIPTION

MS8 Package  
8-Lead Plastic MSOP  
(Reference LTC DWG # 05-08-1660)



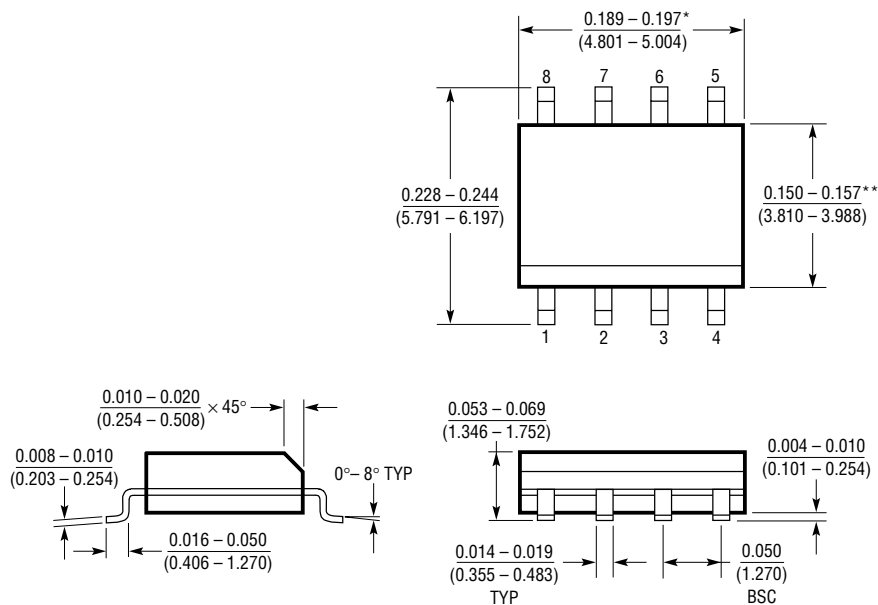
# PACKAGE DESCRIPTION

## N8 Package 8-Lead PDIP (Narrow .300 Inch) (Reference LTC DWG # 05-08-1510)



\*THESE DIMENSIONS DO NOT INCLUDE MOLD FLASH OR PROTRUSIONS.  
MOLD FLASH OR PROTRUSIONS SHALL NOT EXCEED 0.010 INCH (0.254mm)

## S8 Package 8-Lead Plastic Small Outline (Narrow .150 Inch) (Reference LTC DWG # 05-08-1610)

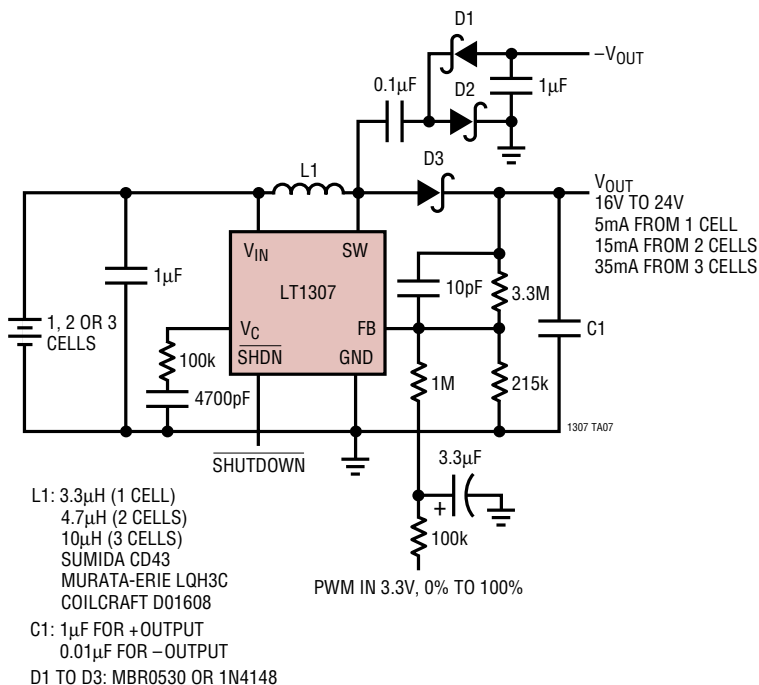


\*DIMENSION DOES NOT INCLUDE MOLD FLASH. MOLD FLASH SHALL NOT EXCEED 0.006" (0.152mm) PER SIDE  
\*\*DIMENSION DOES NOT INCLUDE INTERLEAD FLASH. INTERLEAD FLASH SHALL NOT EXCEED 0.010" (0.254mm) PER SIDE

S08 1298

**TYPICAL APPLICATION**

**LCD Bias Generator**



**RELATED PARTS**

PART NUMBER	DESCRIPTION	COMMENTS
LTC®1163	Triple High Side Driver for 2-Cell Inputs	1.8V Minimum Input, Drives N-Channel MOSFETs
LTC1174	Micropower Step-Down DC/DC Converter	94% Efficiency, 130µA I <sub>Q</sub> , 9V to 5V at 300mA
LT1302	High Output Current Micropower DC/DC Converter	5V/600mA from 2V, 2A Internal Switch, 200µA I <sub>Q</sub>
LT1304	2-Cell Micropower DC/DC Converter	Low-Battery Detector Active in Shutdown
LTC1440/1/2	Ultralow Power Single/Dual Comparators with Reference	2.8µA I <sub>Q</sub> , Adjustable Hysteresis
LTC1516	2-Cell to 5V Regulated Charge Pump	12µA I <sub>Q</sub> , No Inductors, 5V at 50mA from 3V Input
LTC3400	600mA, 1.2MHz, Synchronous Boost Converter	92% Efficiency, V <sub>IN</sub> : 0.85V to 5V, ThinSOT™ Package
LTC3401	1A, 3MHz, Synchronous Boost Converter	97% Efficiency, V <sub>IN</sub> : 0.5V to 5V, 10-Lead MSOP
LTC3402	2A, 3MHz, Synchronous Boost Converter	97% Efficiency, V <sub>IN</sub> : 0.5V to 5V, 10-Lead MSOP

ThinSOT is a trademark of Linear Technology Corporation.

## Looking for pricing, stock, or lifecycle information?

Click below to explore more details on WIN SOURCE:

 [View LT1307BCMS8#PBF on WIN SOURCE](#)

 [Linear Technology](#) Information

## Optimize Your Supply Chain with WIN SOURCE Solutions

-  Global Sourcing Solution
-  Obsolete Management
-  Cost Control Management
-  Shortage Management
-  Alternative Solution
-  Excess Inventory Management