



**THE DATASHEET OF
AP1635SL-13**



Features

- Input voltage range: 2.2V–5V (V_{OUT} type)
- Oscillator frequency: 700KHz (Typ.)
- Internal reference: 1.0V (Typ.)
- High efficiency: 93% (Typ.)
- Current limit and thermal shutdown protection
- Lead Free Package: SOP-8L
- SOP-8L: Available in “Green” Molding Compound (No Br, Sb)
- Lead Free Finish/ RoHS Compliant (Note 1)

General Description

The AP1635 series are multi-functional step-down DC/DC converters with built-in speed, low ON resistance drivers. It is capable to deliver more than 1.2A output current with external coil, diode and capacitor.

Output voltage is set-up by the external resistors. ($\pm 2.5\%$ accuracy). The 700KHz AP1635 that can work out with small value external components comes out more compact board.

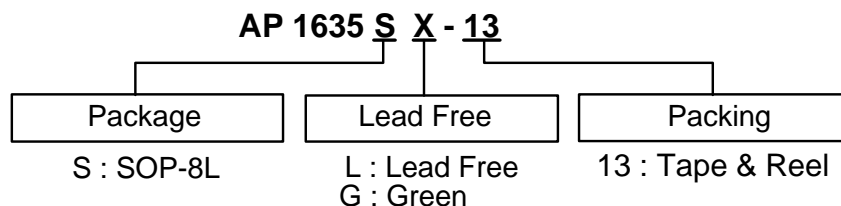
The device switches to and works under PFM mode with light loads. It keeps at high efficiency for both light loads and large output current.

AP1635 can be soft-start with a proper capacitor connected between CE/SS pin and ground. The stand-by current is less than 6uA when CE/SS pin is at “LOW” status. The device is forced to switch off as the voltage at that pin is lower than the stipulated voltage.

Applications

- Electronic Information Organizers
- Palmtops
- Cellular and portable phones
- Portable Audio Systems
- Various Multi-function Power Supplies

Ordering Information

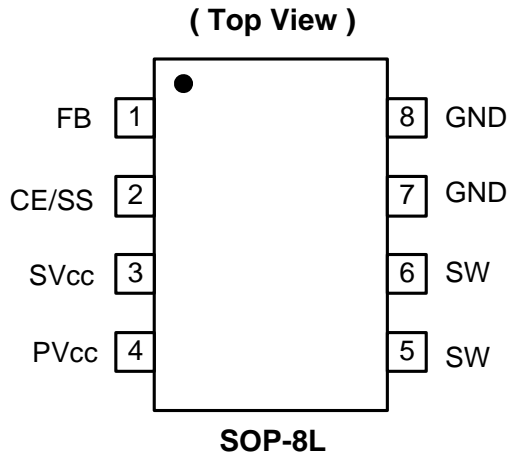


Device	Package Code	Packaging (Note 2)	13" Tape and Reel	
			Quantity	Part Number Suffix
AP1635SL-13	S	SOP-8L	2500/Tape & Reel	-13
AP1635SG-13	S	SOP-8L	2500/Tape & Reel	-13



- Notes:
1. EU Directive 2002/95/EC (RoHS). All applicable RoHS exemptions applied. Please visit our website at http://www.diodes.com/products/lead_free.html.
 2. Pad layout as shown on Diodes Inc. suggested pad layout document AP02001, which can be found on our website at <http://www.diodes.com/datasheets/ap02001.pdf>.

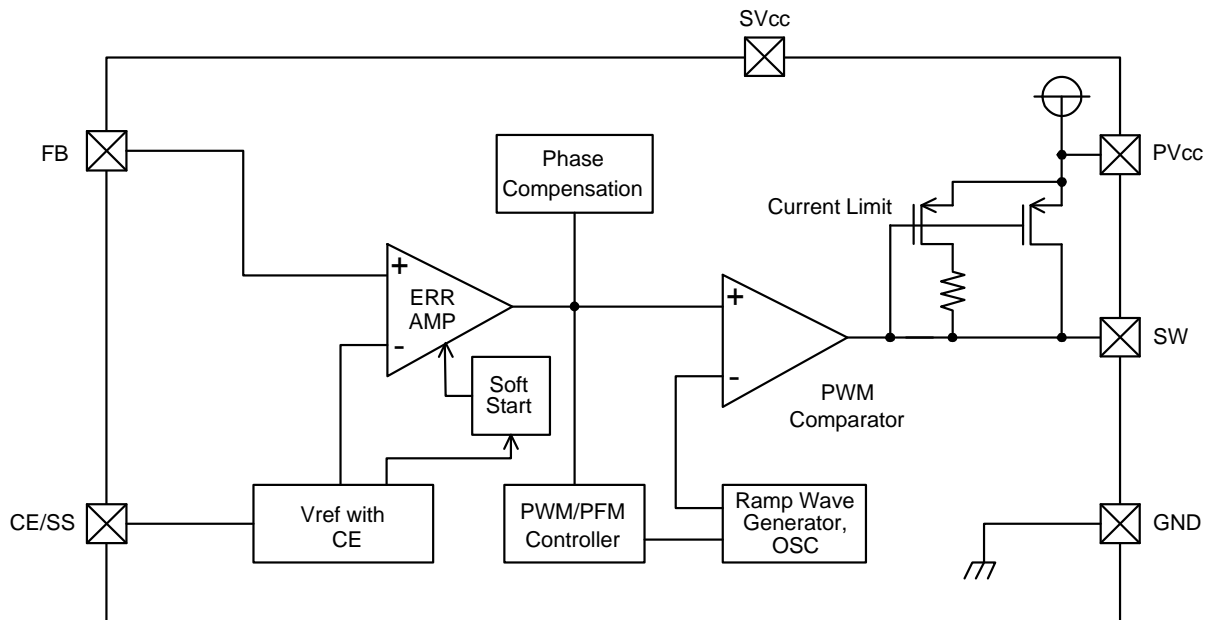
Pin Assignments



Pin Descriptions

Pin Name	Pin No.	Description
FB	1	Feedback pin
CE/SS	2	Chip Enable/ Soft Start: H: Enable L: Disable
SVcc	3	IC signal power supply pin, add a 20Ω resistor to PVcc and a 0.1μF capacitor to GND.
PVcc	4	IC power supply pin
SW	5/6	Switch Pin. Connect external inductor/diode here. Minimize trace area at this pin to reduce EMI.
GND	7/8	GND Pin

Block Diagram



Absolute Maximum Ratings ($T_A=25^\circ\text{C}$)

Symbol	Parameter	Ratings	Units
V_{CC}/SV_{CC}	V_{IN} Pin Voltage	-0.3 ~ 5.0	V
V_{SW}	SW Pin Voltage	-0.3 ~ $V_{IN}+0.3$	V
V_{FB}	FB Pin Voltage	-0.3 ~ $V_{IN}+0.3$	V
$V_{CE/SS}$	CE/SS Pin Voltage	-0.3 ~ $V_{IN}+0.3$	V
PD	Continuous Total Power Dissipation	Internal limited	
T_{OPR}	Operating Ambient Temperature	-25 ~ +80	$^\circ\text{C}$
T_{STG}	Storage Temperature	-40 ~ +125	$^\circ\text{C}$

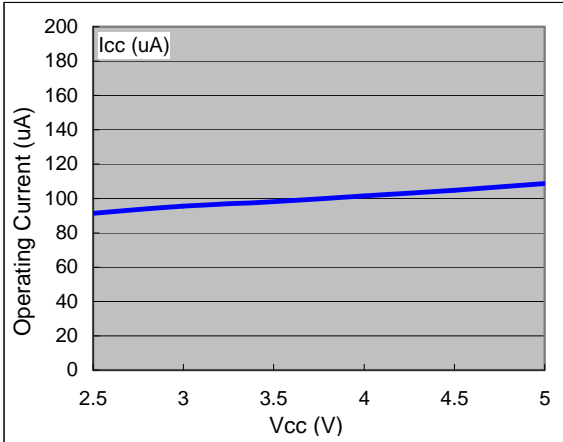
Electrical Characteristics

 $V_{IN}=5V, V_{OUT}=2V, Load=300mA, T_A=25^{\circ}C$

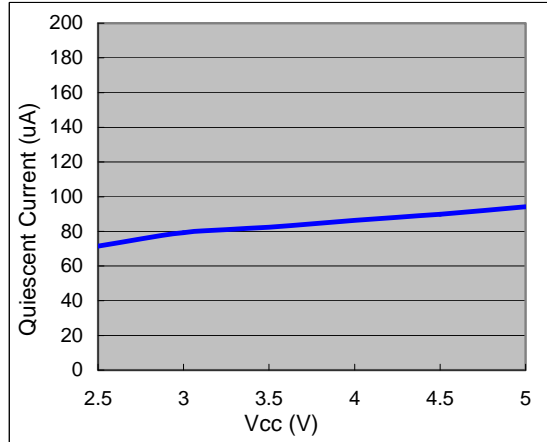
Symbol	Parameter	Conditions	Min	Typ.	Max	Units
V_{FB}	FB		0.975	1.0	1.025	V
V_{IN}	Input Voltage		2.2	-	5	V
	Line Regulation	$V_{IN}=2.2\sim 5V, Load=10mA$	-	-	0.12	%
	Load Regulation	$I_{OUT}=10\sim 1200mA$	-	-	1.2	%
V_{UVLO}	UVLO Voltage (min. operating voltage)	V_{CC} , voltage required to maintain H at V_{OUT}	-	-	2	V
I_{CC}	Operating Current	$CE/SS=V_{IN}$, No Load	-	100	150	μA
I_{CCQ}	Supply Current	No external components, $CE/SS=V_{IN}, V_{FB}=1.2V$	-	90	120	μA
I_{STB}	Stand-by Current	No external components, $CE/SS=0V, V_{FB}=0V$	-	6	-	μA
I_{CL}	Current Limit	Peak current $V_{IN}=5V, V_{OUT}=2V$	1200	1400	1600	mA
Fosc	Oscillator Frequency	Load=300mA, $V_{IN}=5V, V_{OUT}=2V$	500	700	-	kHz
MAXDTY	Maximum Duty Ratio		85	90	-	%
PFMDTY	PFM Duty Ratio	No load	15	25	35	%
V_{CEH}	CE/SS "High" Voltage	Apply 1.4V (min.) to CE/SS, determine V_{OUT} "High"	1.4	-	-	V
V_{CEL}	CE/SS "Low" Voltage	Same as V_{CEH} , determine V_{OUT} "Low"	-	-	0.6	V
EFFI	Efficiency	$V_{CC}=5V, V_{OUT}=3.3V, Load=300mA$	-	93	-	%
Rdson	Rdson Condition	$I_{OUT}=300mA, V_{IN}=5V, V_{OUT}=2V$	-	350	450	m Ω

Typical Performance Characteristics

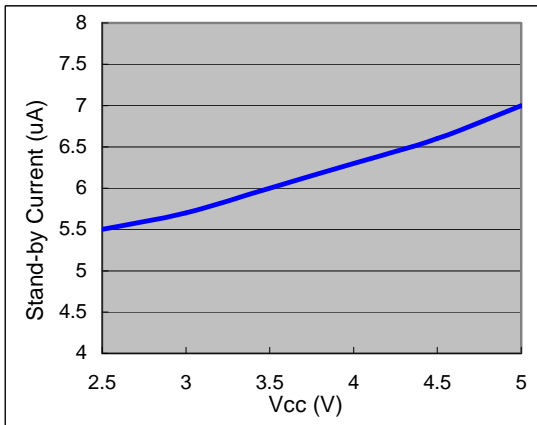
Vcc vs. Operating Current



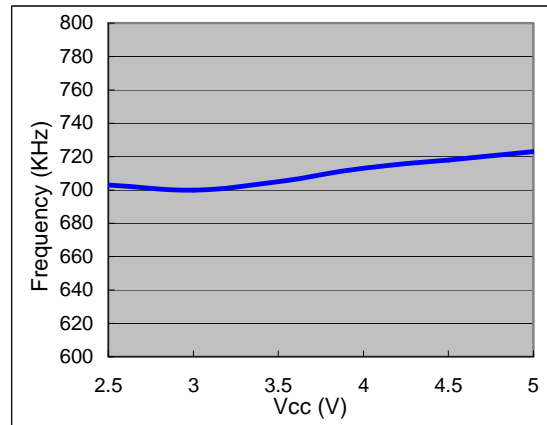
Vcc vs. Quiescent Current



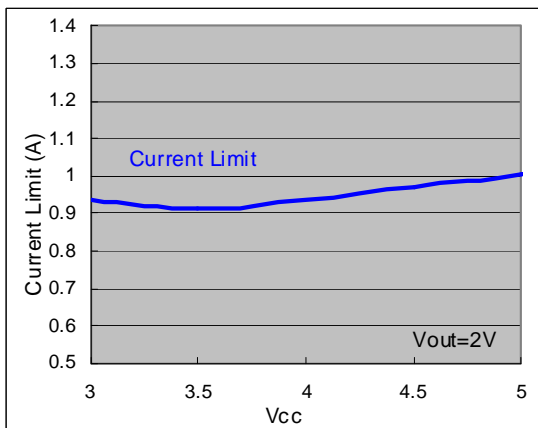
Vcc vs. Stand-by Current



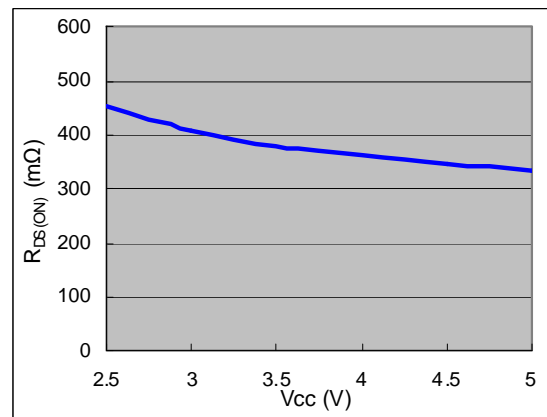
Vcc vs. Frequency



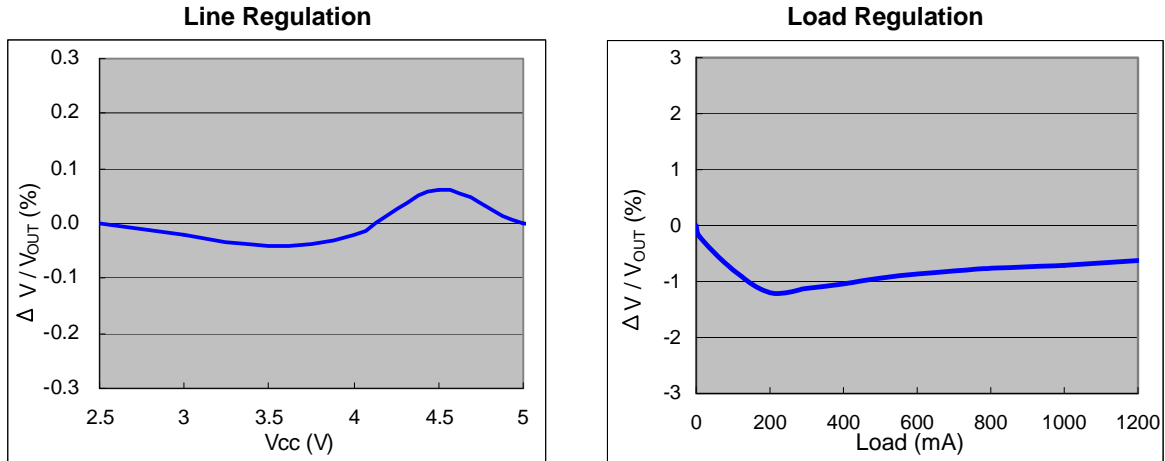
Vcc vs. Current Limit



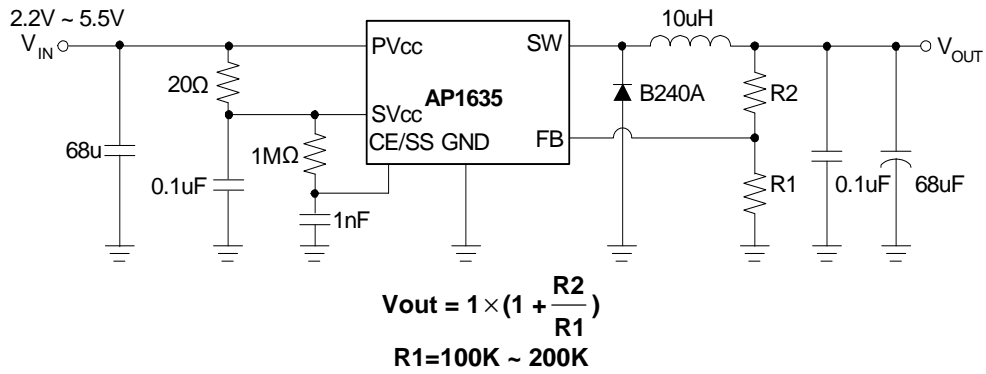
Vcc vs. R_{DS(ON)}



Typical Performance Characteristics (Continued)

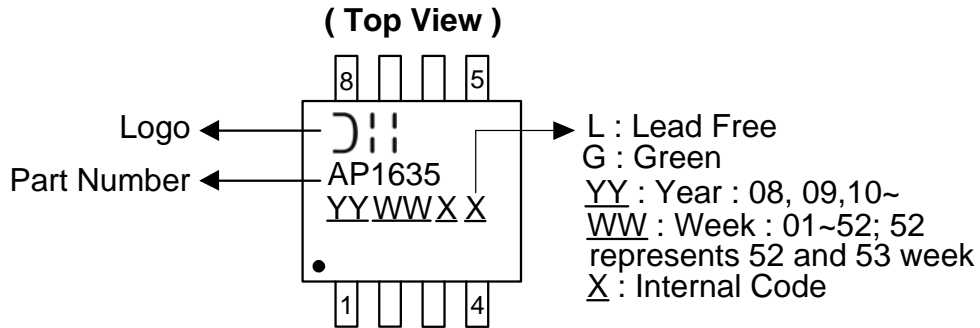


Typical Application Circuit



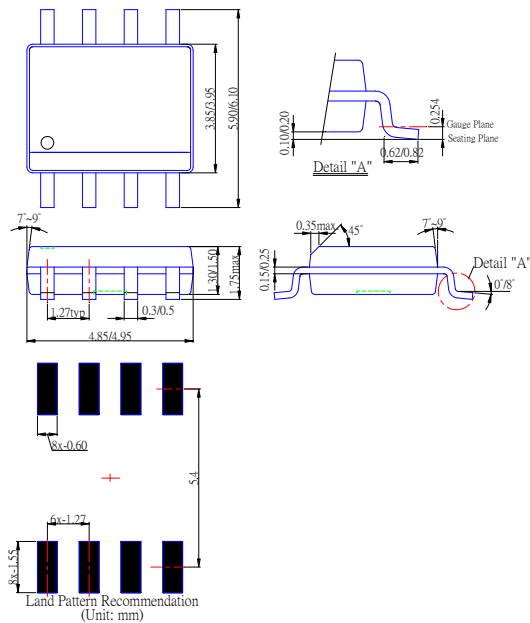
Marking Information

(1) SOP-8L



Package Information (All Dimensions in mm)

(1) Package Type: SOP-8L



IMPORTANT NOTICE

Diodes Incorporated and its subsidiaries reserve the right to make modifications, enhancements, improvements, corrections or other changes without further notice to any product herein. Diodes Incorporated does not assume any liability arising out of the application or use of any product described herein; neither does it convey any license under its patent rights, nor the rights of others. The user of products in such applications shall assume all risks of such use and will agree to hold Diodes Incorporated and all the companies whose products are represented on our website, harmless against all damages.

LIFE SUPPORT

Diodes Incorporated products are not authorized for use as critical components in life support devices or systems without the expressed written approval of the President of Diodes Incorporated.

Looking for pricing, stock, or lifecycle information?

Click below to explore more details on WIN SOURCE:

 [View AP1635SL-13 on WIN SOURCE](#)

 [Diodes Incorporated](#) Information

Optimize Your Supply Chain with WIN SOURCE Solutions

-  Global Sourcing Solution
-  Obsolete Management
-  Cost Control Management
-  Shortage Management
-  Alternative Solution
-  Excess Inventory Management