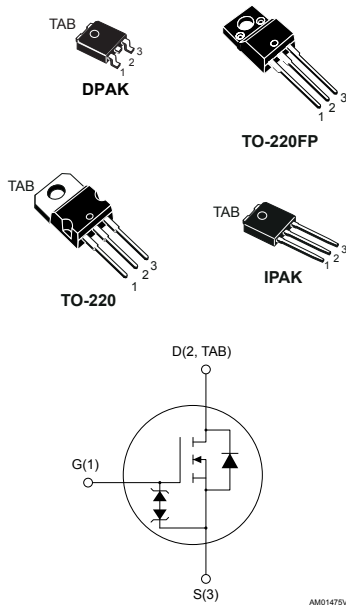




# THE DATASHEET OF STP5N62K3



## N-channel 620 V, 1.28 $\Omega$ typ., 4.2 A MDmesh™ K3 Power MOSFETs in DPAK, TO-220FP, TO-220 and IPAK packages



### Features

Order code	$V_{DS}$	$R_{DS(on)max.}$	$I_D$	Package
STD5N62K3	620 V	1.6 $\Omega$	4.2 A	DPAK
STF5N62K3				TO-220FP
STP5N62K3				TO-220
STU5N62K3				IPAK

- 100% avalanche tested
- Extremely high dv/dt capability
- Very low intrinsic capacitance
- Improved diode reverse recovery characteristics
- Zener-protected

### Applications

- Switching applications

### Description

These MDmesh™ K3 Power MOSFETs are the result of improvements applied to STMicroelectronics' MDmesh™ technology, combined with a new optimized vertical structure. These devices boast an extremely low on-resistance, superior dynamic performance and high avalanche capability, rendering them suitable for the most demanding applications.

#### Product status link

[STD5N62K3](#)

[STF5N62K3](#)

[STP5N62K3](#)

[STU5N62K3](#)

# 1 Electrical ratings

**Table 1. Absolute maximum ratings**

Symbol	Parameter	Value		Unit
		DPAK, TO-220, IPAK	TO-220FP	
$V_{DS}$	Drain-source voltage	620		V
$V_{GS}$	Gate-source voltage	±30		V
$I_D$	Drain current (continuous) at $T_C = 25\text{ °C}$	4.2	4.2 <sup>(1)</sup>	A
$I_D$	Drain current (continuous) at $T_C = 100\text{ °C}$	3	3 <sup>(1)</sup>	A
$I_{DM}^{(2)}$	Drain current (pulsed)	16.8	16.8 <sup>(1)</sup>	A
$P_{TOT}$	Total dissipation at $T_C = 25\text{ °C}$	70	25	W
$dv/dt^{(3)}$	Peak diode recovery voltage slope	12		V/ns
$di/dt^{(3)}$	Diode reverse recovery current slope	400		A/ns
$V_{ISO}$	Insulation withstand voltage (RMS) from all three leads to external heat sink ( $t = 1\text{ s}$ ; $T_C = 25\text{ °C}$ )	2.5		kV
$T_j$	Operating junction temperature range	-55 to 150		°C
$T_{stg}$	Storage temperature range			

- Limited by maximum junction temperature.
- Pulse width limited by safe operating area.
- $I_{SD} \leq 4.2\text{ A}$ ,  $V_{DSpeak} \leq V_{(BR)SS}$ ,  $V_{DD} = 80\% V_{(BR)DSS}$ .

**Table 2. Thermal data**

Symbol	Parameter	Value				Unit
		DPAK	TO-220	IPAK	TO-220FP	
$R_{thj-case}$	Thermal resistance junction-case	1.79			5	°C/W
$R_{thj-amb}$	Thermal resistance junction-ambient		62.5	100	62.5	°C/W
$R_{thj-pcb}^{(1)}$	Thermal resistance junction-pcb	50				°C/W

- When mounted on 1inch<sup>2</sup> FR-4 board, 2 oz Cu.

**Table 3. Avalanche characteristics**

Symbol	Parameter	Value	Unit
$I_{AR}^{(1)}$	Avalanche current, repetitive or not-repetitive	4.2	A
$E_{AS}^{(2)}$	Single pulse avalanche energy	120	mJ

- Pulse width limited by  $T_j$  max.
- Starting  $T_j = 25\text{ °C}$ ,  $I_D = I_{AR}$ ,  $V_{DD} = 50\text{ V}$ .

## 2 Electrical characteristics

( $T_{CASE} = 25\text{ °C}$  unless otherwise specified)

**Table 4. On/off states**

Symbol	Parameter	Test conditions	Min.	Typ.	Max.	Unit
$V_{(BR)DSS}$	Drain-source breakdown voltage	$I_D = 1\text{ mA}$ , $V_{GS} = 0\text{ V}$	620			V
$I_{DSS}$	Zero gate voltage drain current	$V_{GS} = 0\text{ V}$ , $V_{DS} = 620\text{ V}$			1	$\mu\text{A}$
		$V_{GS} = 0\text{ V}$ , $V_{DS} = 620\text{ V}$ , $T_C = 125\text{ °C}$ <sup>(1)</sup>			50	$\mu\text{A}$
$I_{GSS}$	Gate body leakage current	$V_{DS} = 0\text{ V}$ , $V_{GS} = \pm 20\text{ V}$			$\pm 10$	$\mu\text{A}$
$V_{GS(th)}$	Gate threshold voltage	$V_{DS} = V_{GS}$ , $I_D = 50\text{ }\mu\text{A}$	3	3.75	4.5	V
$R_{DS(on)}$	Static drain-source on-resistance	$V_{GS} = 10\text{ V}$ , $I_D = 2.1\text{ A}$		1.28	1.6	$\Omega$

1. Defined by design, not subject to production test.

**Table 5. Dynamic**

Symbol	Parameter	Test conditions	Min.	Typ.	Max.	Unit
$C_{iss}$	Input capacitance	$V_{DS} = 50\text{ V}$ , $f = 1\text{ MHz}$ , $V_{GS} = 0\text{ V}$	-	680	-	$\mu\text{F}$
$C_{oss}$	Output capacitance			50		
$C_{rss}$	Reverse transfer capacitance			8		
$C_{oss\text{ eq.}}^{(1)}$	Equivalent output capacitance	$V_{DS} = 0\text{ to }496\text{ V}$ , $V_{GS} = 0\text{ V}$	-	16.6	-	$\mu\text{F}$
$R_G$	Intrinsic gate resistance	$f = 1\text{ MHz}$ open drain	-	4	-	$\Omega$
$Q_g$	Total gate charge	$V_{DD} = 496\text{ V}$ , $I_D = 4.2\text{ A}$ , $V_{GS} = 0\text{ to }10\text{ V}$ (see Figure 19. Test circuit for gate charge behavior)	-	26	-	nC
$Q_{gs}$	Gate-source charge			4		
$Q_{gd}$	Gate-drain charge			16		

1.  $C_{oss\text{ eq.}}$  is defined as a constant equivalent capacitance giving the same charging time as  $C_{oss}$  when  $V_{DS}$  increases from 0 to 80%  $V_{DSS}$

**Table 6. Switching times**

Symbol	Parameter	Test conditions	Min.	Typ.	Max.	Unit
$t_{d(on)}$	Turn-on delay time	$V_{DD} = 310\text{ V}$ , $I_D = 4.2\text{ A}$ , $R_G = 4.7\text{ }\Omega$ , $V_{GS} = 10\text{ V}$ (see Figure 18. Test circuit for resistive load switching times and Figure 23. Switching time waveform)	-	12	-	ns
$t_r$	Rise time			8		
$t_{d(off)}$	Turn-off delay time			40		
$t_f$	Fall time			21		

**Table 7. Source-drain diode**

Symbol	Parameter	Test conditions	Min.	Typ.	Max.	Unit
$I_{SD}$	Source-drain current				4.2	A
$I_{SDM}^{(1)}$	Source-drain current (pulsed)		-		16.8	
$V_{SD}^{(2)}$	Forward on voltage	$I_{SD} = 4.2 \text{ A}$ , $V_{GS} = 0 \text{ V}$	-		1.5	V
$t_{rr}$	Reverse recovery time	$I_{SD} = 4.2 \text{ A}$ , $di/dt = 100 \text{ A}/\mu\text{s}$		290		ns
$Q_{rr}$	Reverse recovery charge	$V_{DD} = 60 \text{ V}$ (see Figure 20. Test circuit for inductive load switching and diode recovery times)	-	1.9		$\mu\text{C}$
$I_{RRM}$	Reverse recovery current			13		A
$t_{rr}$	Reverse recovery time	$I_{SD} = 4.2 \text{ A}$ , $di/dt = 100 \text{ A}/\mu\text{s}$		320		ns
$Q_{rr}$	Reverse recovery charge	$V_{DD} = 60 \text{ V}$ , $T_j = 150 \text{ }^\circ\text{C}$ (see Figure 20. Test circuit for inductive load switching and diode recovery times)	-	2.2		$\mu\text{C}$
$I_{RRM}$	Reverse recovery current			14		A

1. Pulse width limited by safe operating area.
2. Pulsed: pulse duration = 300  $\mu\text{s}$ , duty cycle 1.5%.

**Table 8. Gate-source Zener diode**

Symbol	Parameter	Test conditions	Min.	Typ.	Max.	Unit
$V_{(BR)GSO}$	Gate-source breakdown voltage	$I_{GS} = \pm 1 \text{ mA}$ , $I_D = 0 \text{ A}$	$\pm 30$	-		V

The built-in back-to-back Zener diodes are specifically designed to enhance the ESD performance of the device. The Zener voltage facilitates efficient and cost-effective device integrity protection, thus eliminating the need for additional external componentry.

## 2.1 Electrical characteristics (curves)

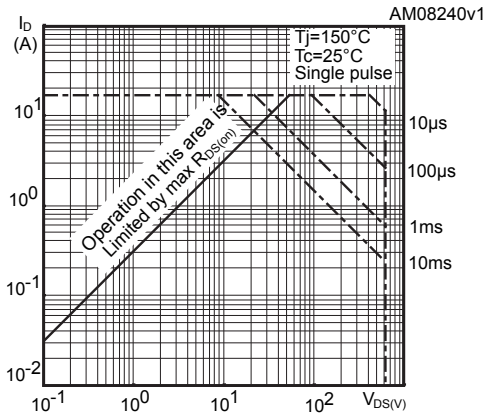
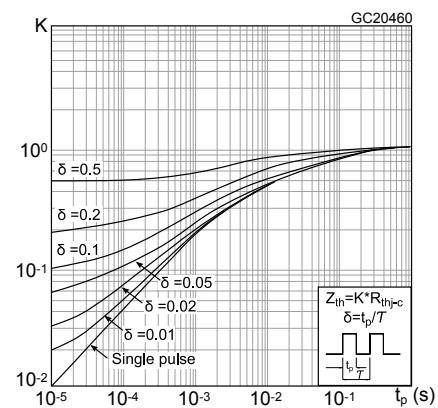
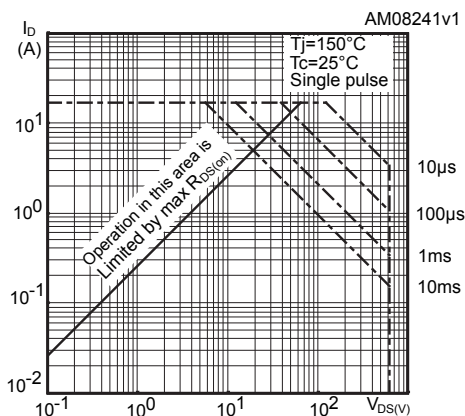
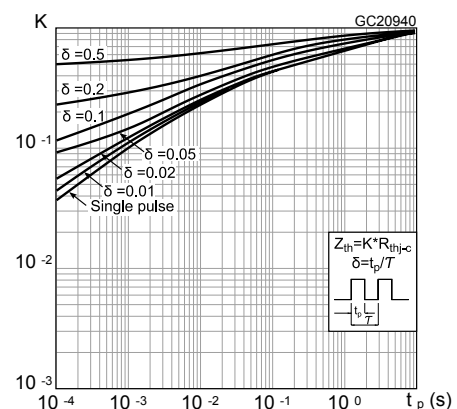
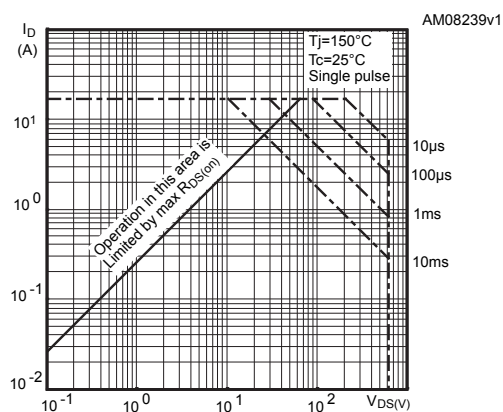
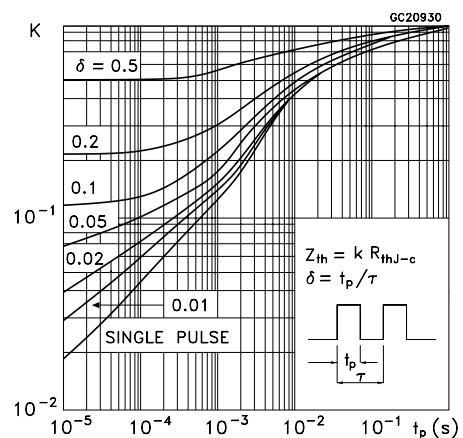
**Figure 1. Safe operating area for DPAK and IPAK**

**Figure 2. Thermal impedance for DPAK and IPAK**

**Figure 3. Safe operating area for TO-220FP**

**Figure 4. Thermal impedance for TO-220FP**

**Figure 5. Safe operating area for TO-220**

**Figure 6. Thermal impedance for TO-220**


Figure 7. Output characteristics

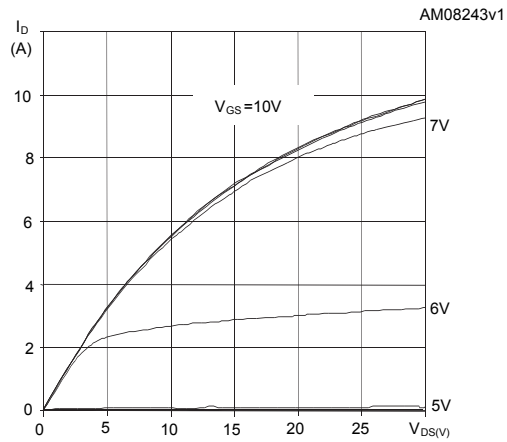


Figure 8. Transfer characteristics

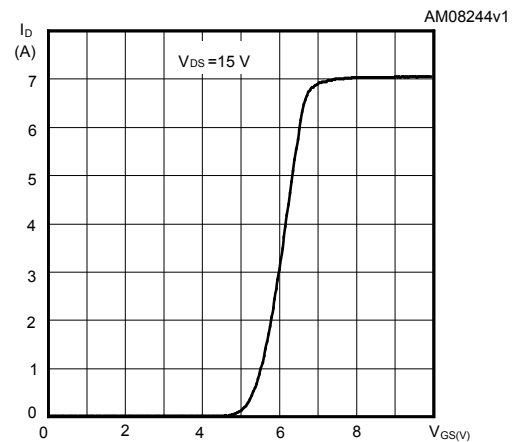


Figure 9. Normalized  $V_{(BR)DSS}$  vs temperature

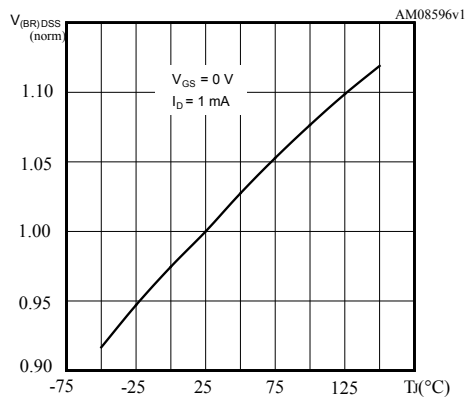


Figure 10. Static drain-source on-resistance

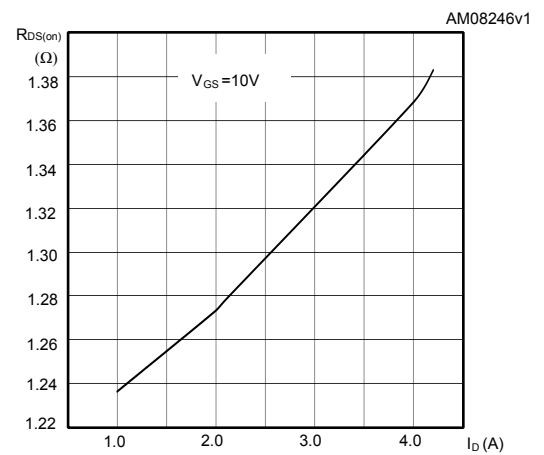


Figure 11. Gate charge vs gate-source voltage

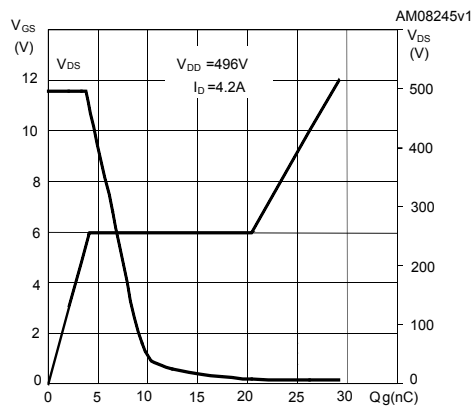
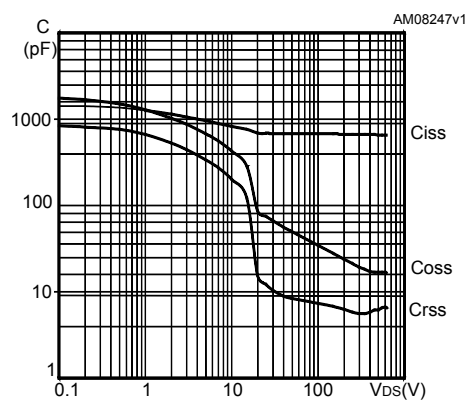
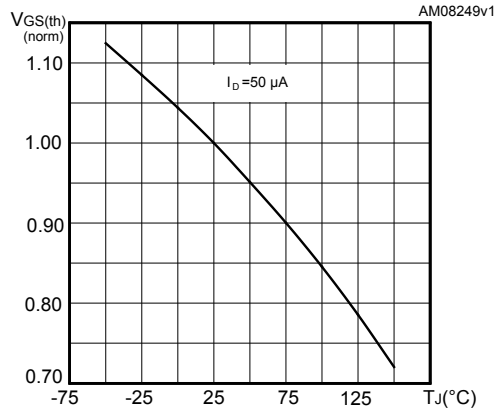
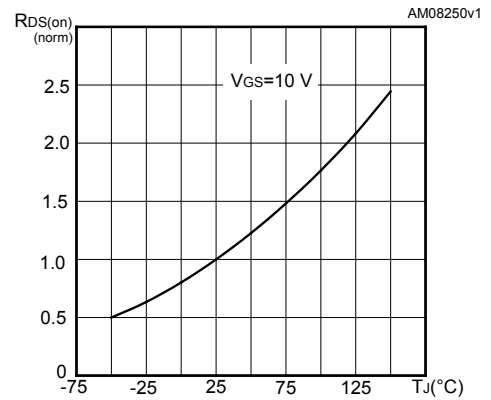
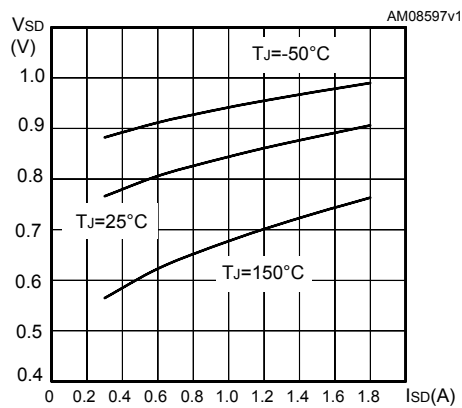
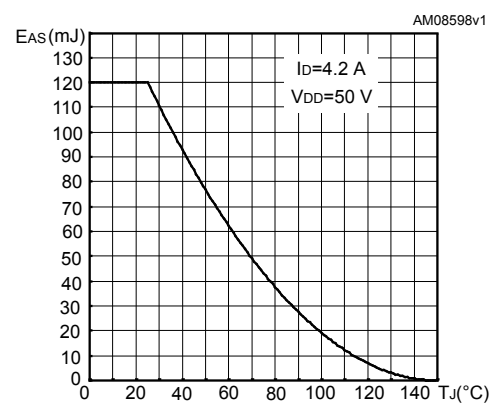
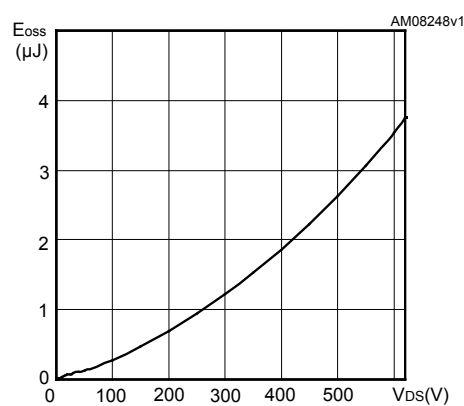
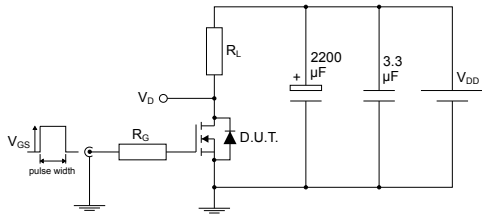


Figure 12. Capacitance variations

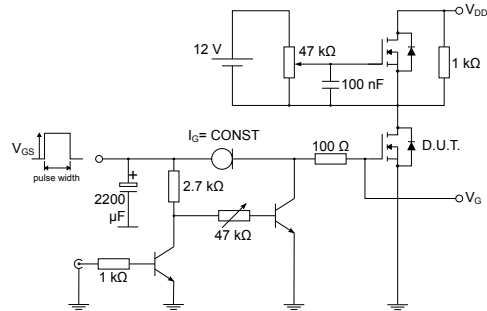


**Figure 13. Normalized gate threshold voltage vs temperature**

**Figure 14. Normalized on-resistance vs temperature**

**Figure 15. Source-drain diode forward characteristics**

**Figure 16. Maximum avalanche energy vs temperature**

**Figure 17. Output capacitance stored energy**


### 3 Test circuits

**Figure 18. Test circuit for resistive load switching times**


AM01468v1

**Figure 19. Test circuit for gate charge behavior**


AM01469v1

**Figure 20. Test circuit for inductive load switching and diode recovery times**

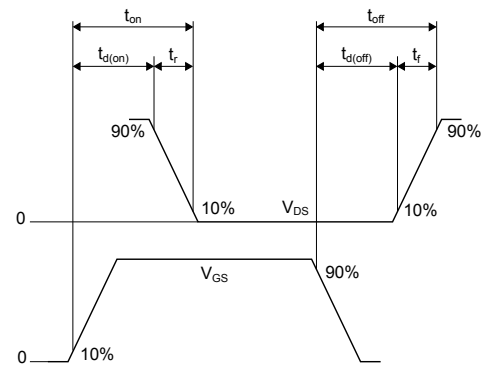

AM01470v1

**Figure 21. Unclamped inductive load test circuit**


AM01471v1

**Figure 22. Unclamped inductive waveform**


AM01472v1

**Figure 23. Switching time waveform**


AM01473v1

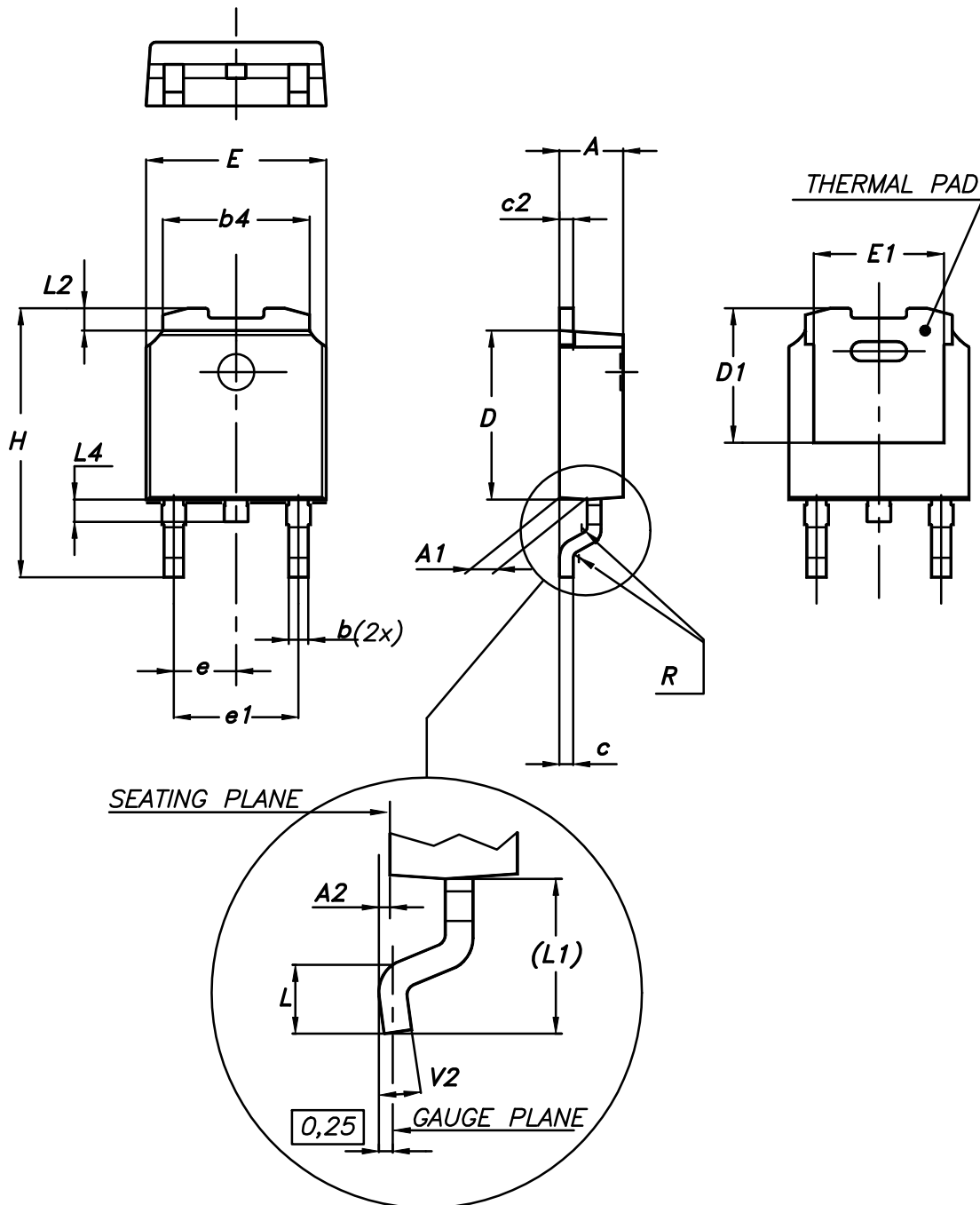
## **4 Package information**

---

In order to meet environmental requirements, ST offers these devices in different grades of ECOPACK® packages, depending on their level of environmental compliance. ECOPACK® specifications, grade definitions and product status are available at: [www.st.com](http://www.st.com). ECOPACK® is an ST trademark.

### 4.1 DPAK (TO-252) type A package information

Figure 24. DPAK (TO-252) type A package outline



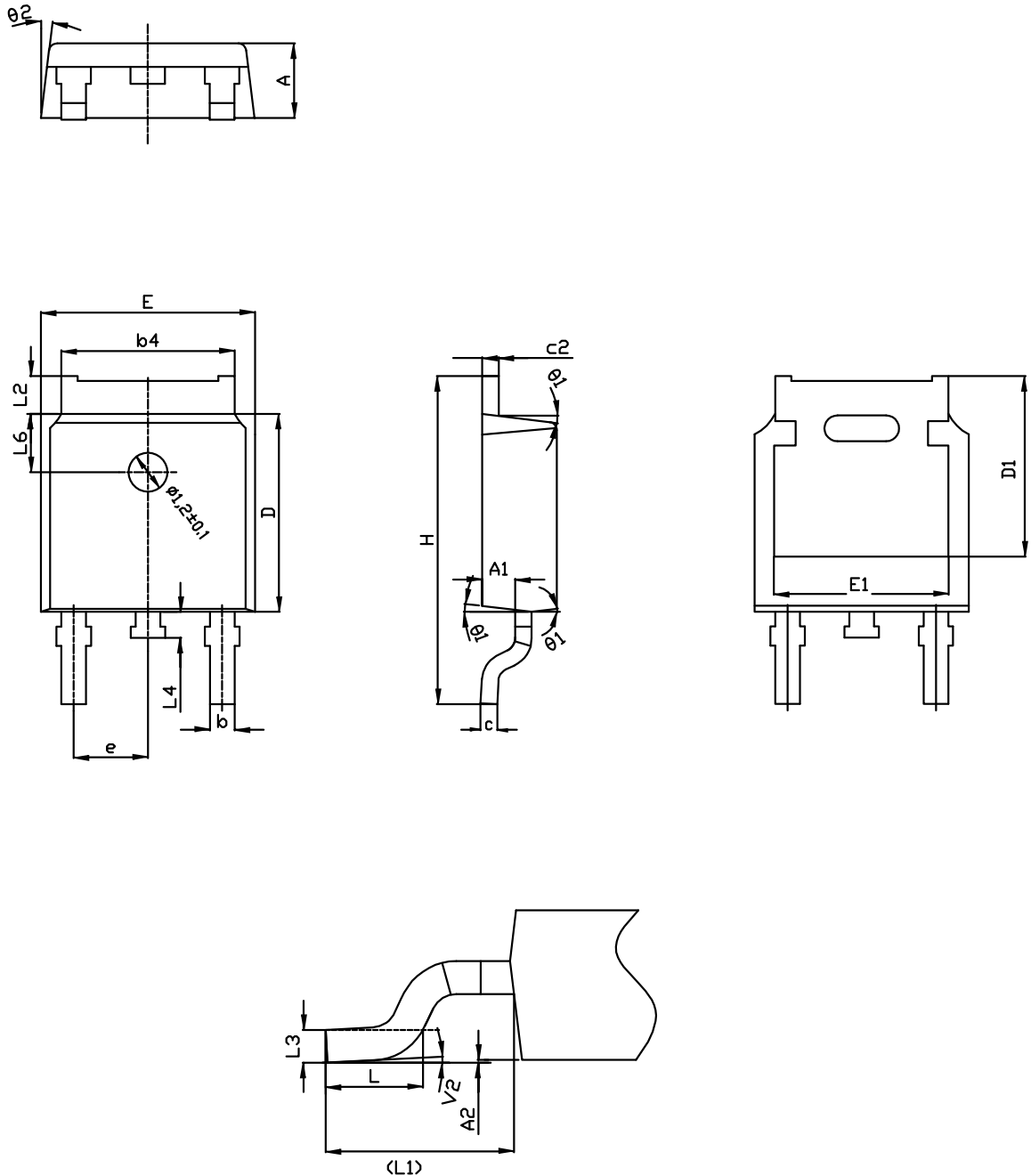
0068772\_A\_25

**Table 9. DPAK (TO-252) type A mechanical data**

Dim.	mm		
	Min.	Typ.	Max.
A	2.20		2.40
A1	0.90		1.10
A2	0.03		0.23
b	0.64		0.90
b4	5.20		5.40
c	0.45		0.60
c2	0.48		0.60
D	6.00		6.20
D1	4.95	5.10	5.25
E	6.40		6.60
E1	4.60	4.70	4.80
e	2.159	2.286	2.413
e1	4.445	4.572	4.699
H	9.35		10.10
L	1.00		1.50
(L1)	2.60	2.80	3.00
L2	0.65	0.80	0.95
L4	0.60		1.00
R		0.20	
V2	0°		8°

## 4.2 DPAK (TO-252) type C2 package information

Figure 25. DPAK (TO-252) type C2 package outline



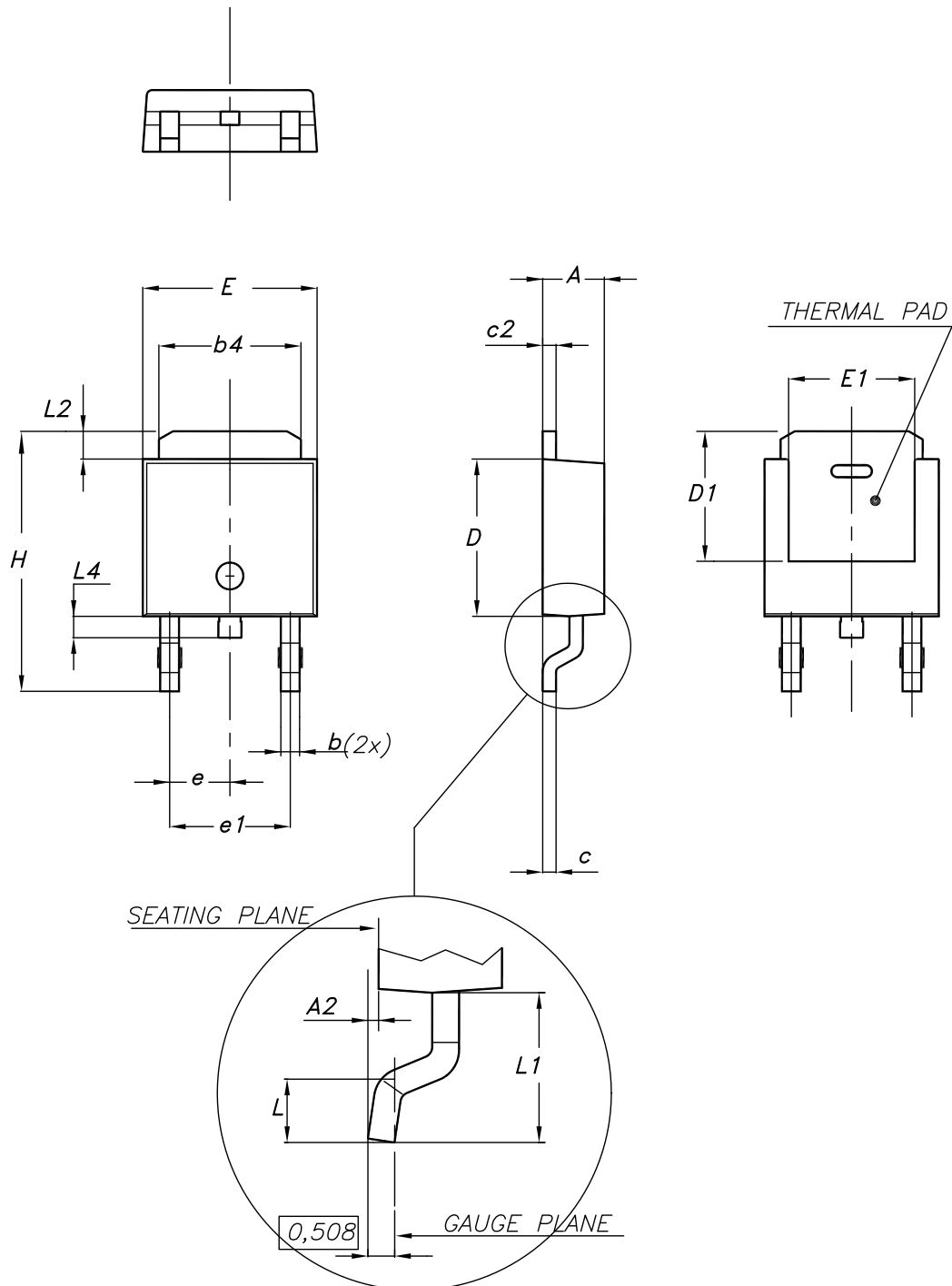
0068772\_C2\_25

**Table 10. DPAK (TO-252) type C2 mechanical data**

Dim.	mm		
	Min.	Typ.	Max.
A	2.20	2.30	2.38
A1	0.90	1.01	1.10
A2	0.00		0.10
b	0.72		0.85
b4	5.13	5.33	5.46
c	0.47		0.60
c2	0.47		0.60
D	6.00	6.10	6.20
D1	5.10		5.60
E	6.50	6.60	6.70
E1	5.20		5.50
e	2.186	2.286	2.386
H	9.80	10.10	10.40
L	1.40	1.50	1.70
L1	2.90 REF		
L2	0.90		1.25
L3	0.51 BSC		
L4	0.60	0.80	1.00
L6	1.80 BSC		
θ1	5°	7°	9°
θ2	5°	7°	9°
V2	0°		8°

### 4.3 DPAK (TO-252) type E package information

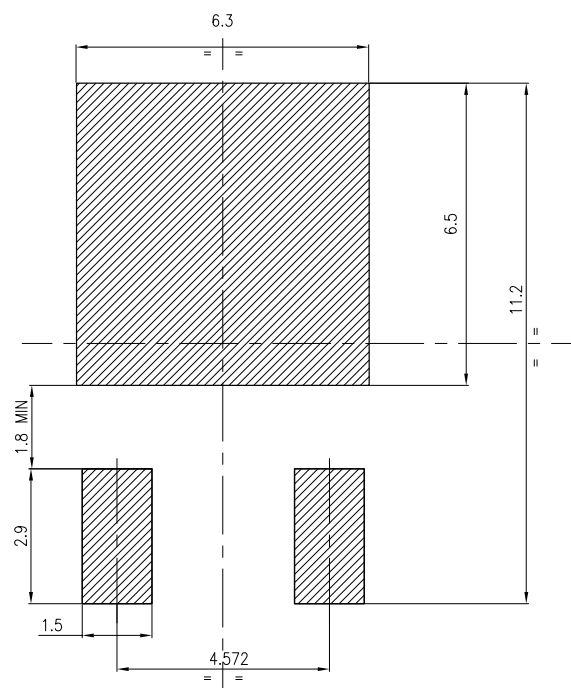
Figure 26. DPAK (TO-252) type E package outline



0068772\_type-E\_rev.25

**Table 11. DPAK (TO-252) type E mechanical data**

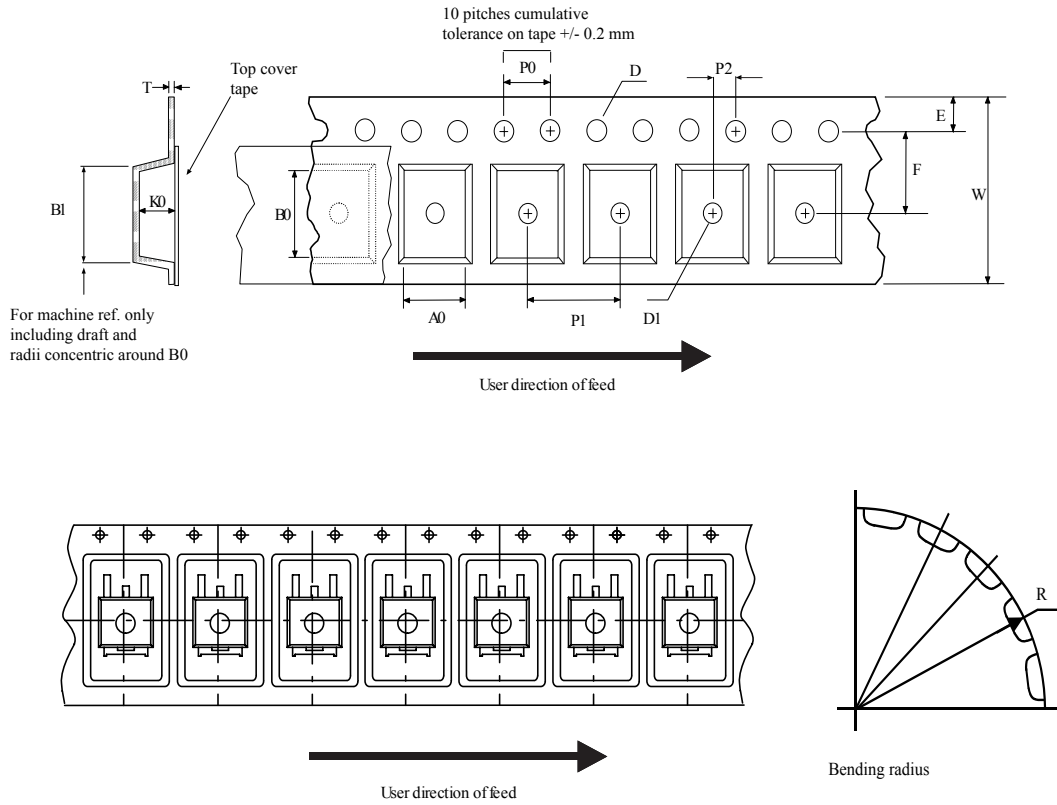
Dim.	mm		
	Min.	Typ.	Max.
A	2.18		2.39
A2			0.13
b	0.65		0.884
b4	4.95		5.46
c	0.46		0.61
c2	0.46		0.60
D	5.97		6.22
D1	5.21		
E	6.35		6.73
E1	4.32		
e		2.286	
e1		4.572	
H	9.94		10.34
L	1.50		1.78
L1		2.74	
L2	0.89		1.27
L4			1.02

**Figure 27. DPAK (TO-252) recommended footprint (dimensions are in mm)**


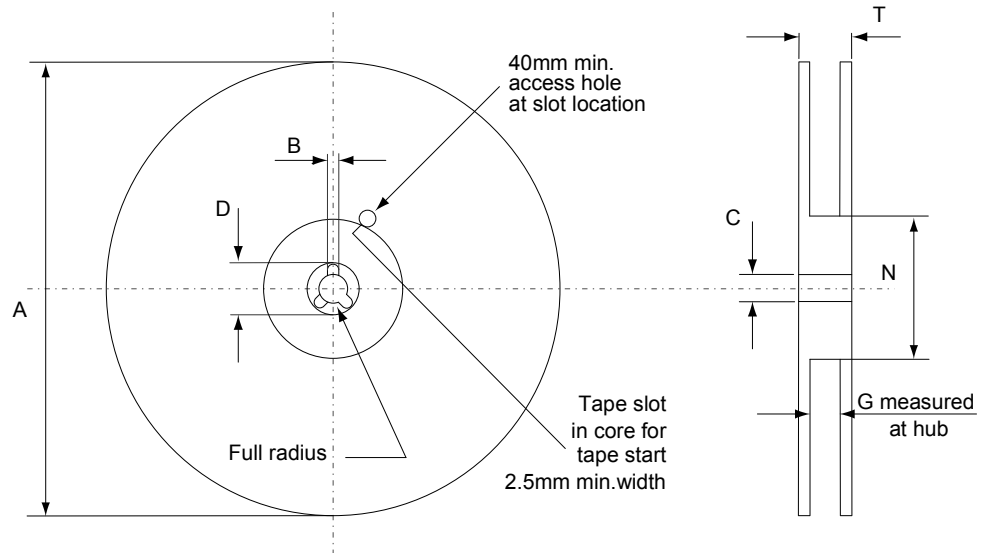
FP\_0068772\_25

#### 4.4 DPAK (TO-252) packing information

Figure 28. DPAK (TO-252) tape outline



AM08852v1

**Figure 29. DPAK (TO-252) reel outline**


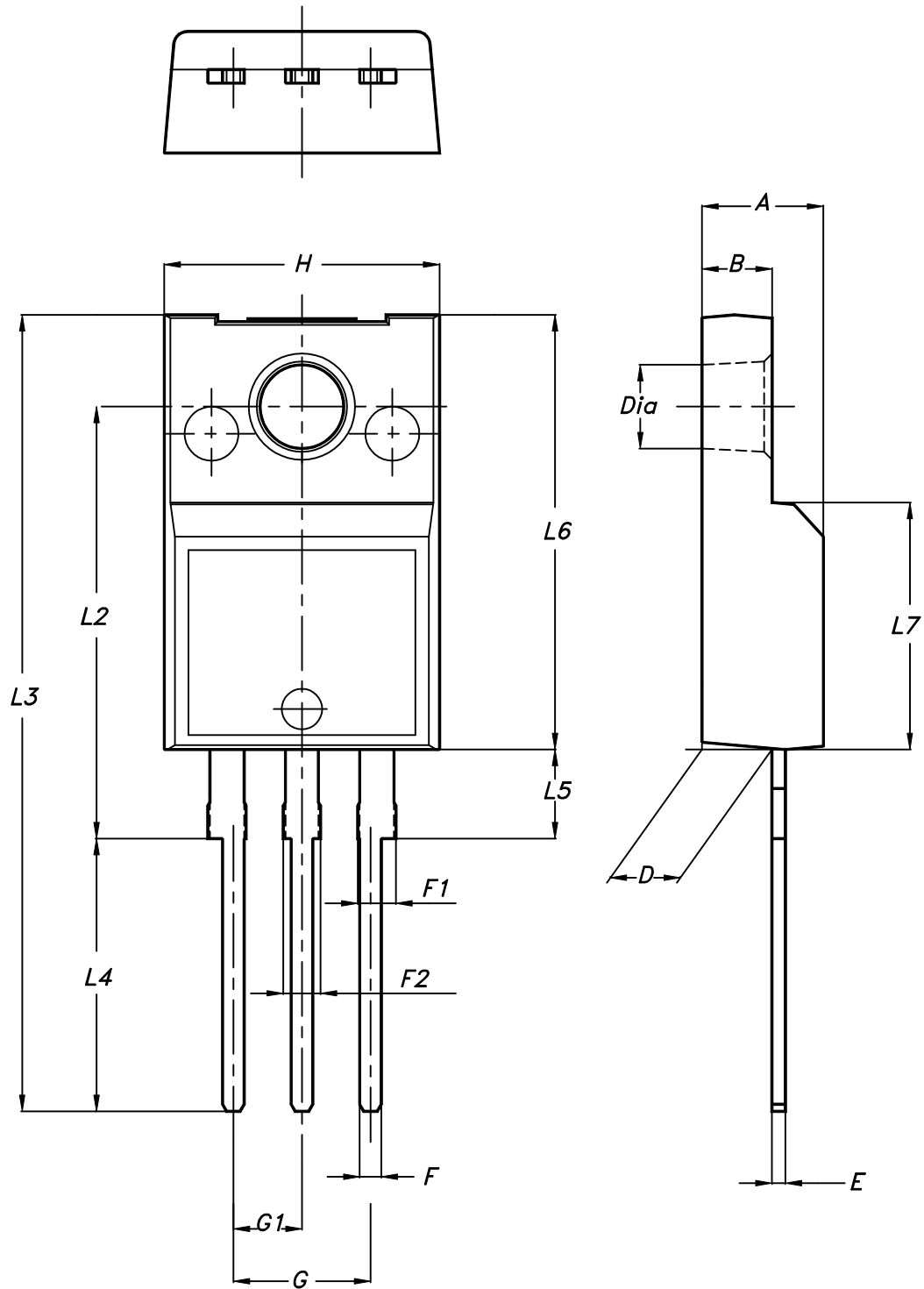
AM06038v1

**Table 12. DPAK (TO-252) tape and reel mechanical data**

Tape			Reel		
Dim.	mm		Dim.	mm	
	Min.	Max.		Min.	Max.
A0	6.8	7	A		330
B0	10.4	10.6	B	1.5	
B1		12.1	C	12.8	13.2
D	1.5	1.6	D	20.2	
D1	1.5		G	16.4	18.4
E	1.65	1.85	N	50	
F	7.4	7.6	T		22.4
K0	2.55	2.75			
P0	3.9	4.1	Base qty.		2500
P1	7.9	8.1	Bulk qty.		2500
P2	1.9	2.1			
R	40				
T	0.25	0.35			
W	15.7	16.3			

### 4.5 TO-220FP package information

Figure 30. TO-220FP package outline



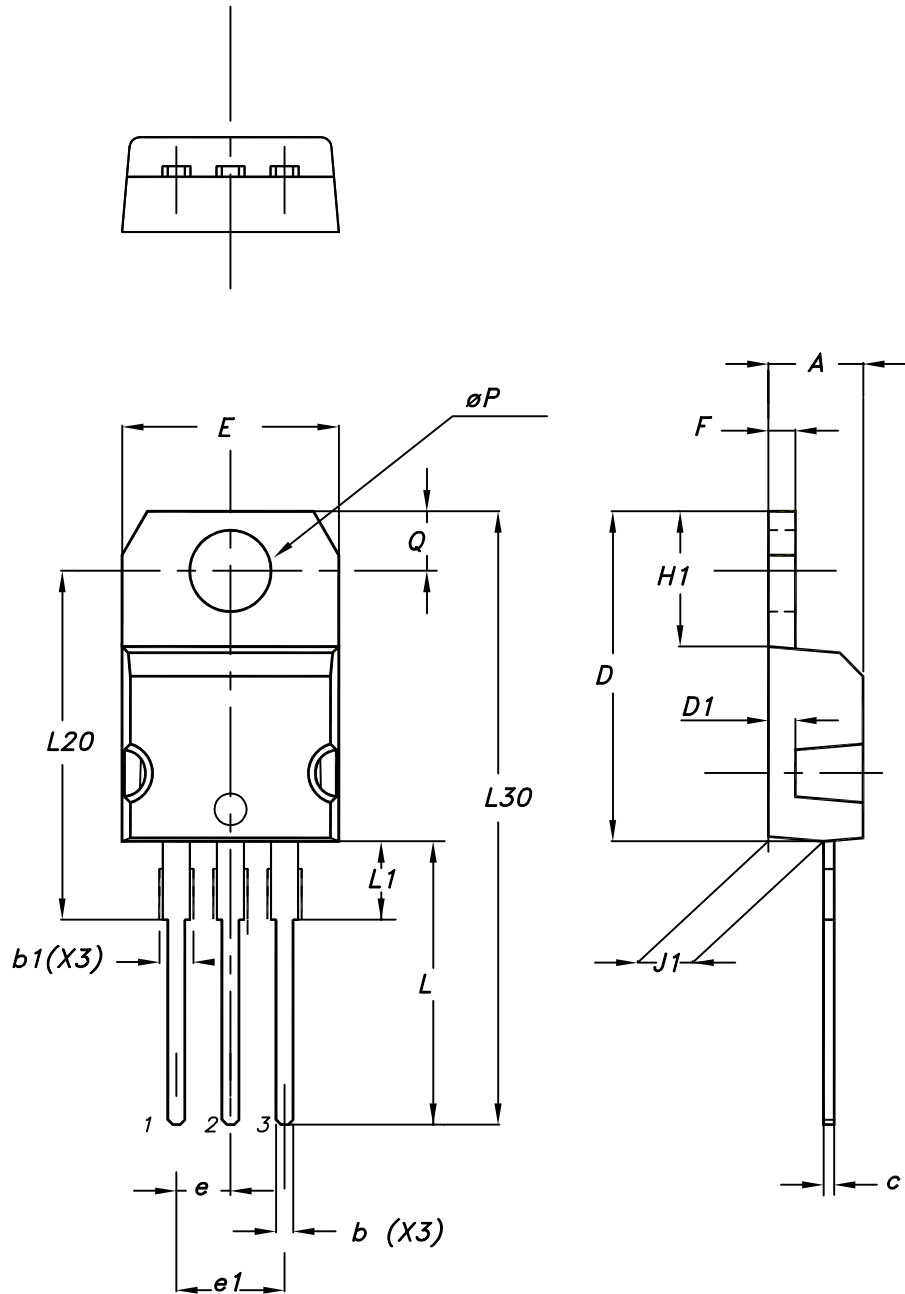
7012510\_Rev\_12\_B

**Table 13. TO-220FP package mechanical data**

Dim.	mm		
	Min.	Typ.	Max.
A	4.4		4.6
B	2.5		2.7
D	2.5		2.75
E	0.45		0.7
F	0.75		1
F1	1.15		1.70
F2	1.15		1.70
G	4.95		5.2
G1	2.4		2.7
H	10		10.4
L2		16	
L3	28.6		30.6
L4	9.8		10.6
L5	2.9		3.6
L6	15.9		16.4
L7	9		9.3
Dia	3		3.2

## 4.6 TO-220 type A package information

Figure 31. TO-220 type A package outline



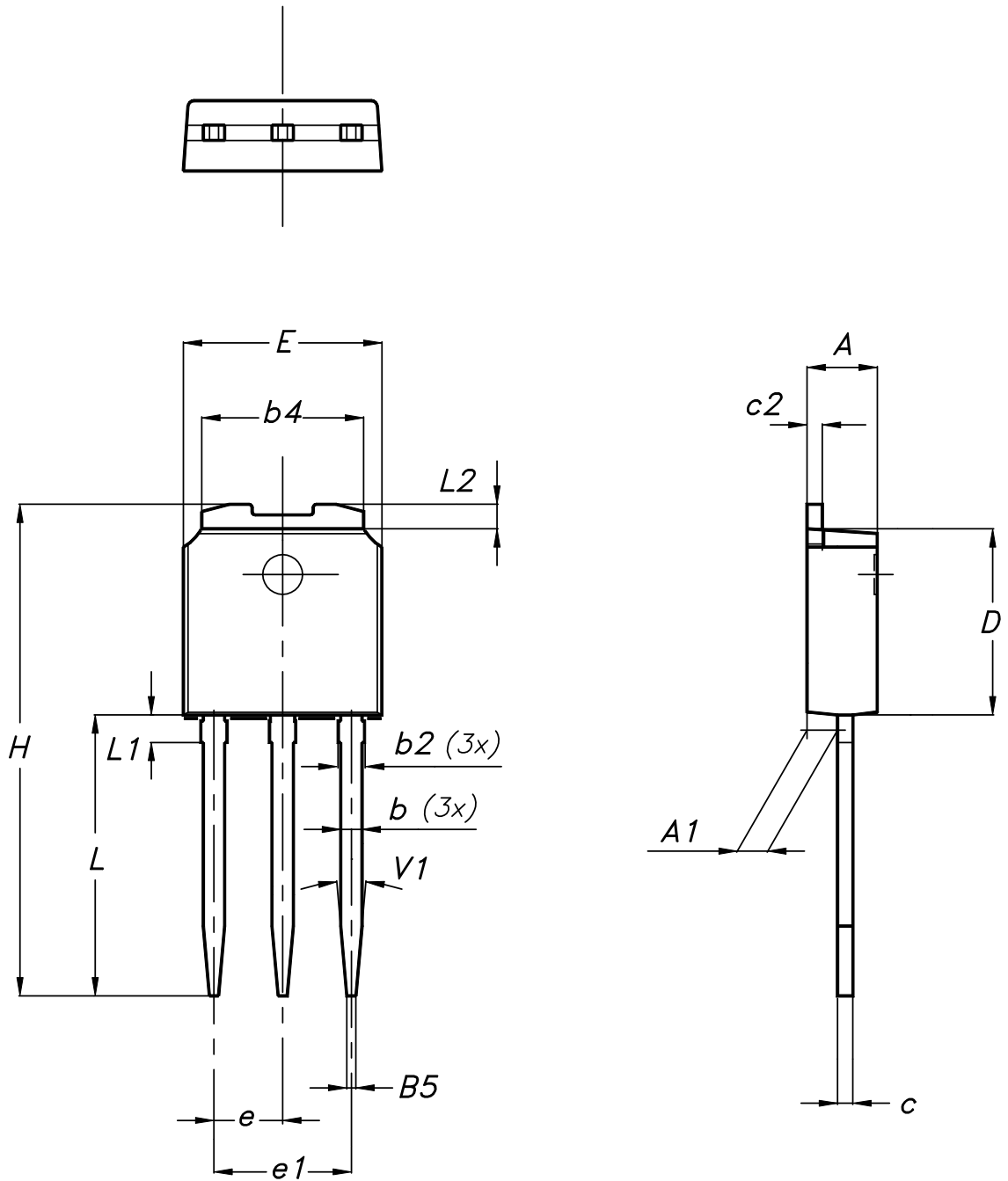
0015988\_typeA\_Rev\_21

**Table 14. TO-220 type A package mechanical data**

Dim.	mm		
	Min.	Typ.	Max.
A	4.40		4.60
b	0.61		0.88
b1	1.14		1.55
c	0.48		0.70
D	15.25		15.75
D1		1.27	
E	10.00		10.40
e	2.40		2.70
e1	4.95		5.15
F	1.23		1.32
H1	6.20		6.60
J1	2.40		2.72
L	13.00		14.00
L1	3.50		3.93
L20		16.40	
L30		28.90	
øP	3.75		3.85
Q	2.65		2.95

#### 4.7 IPAk (TO-251) type A package information

Figure 32. IPAk (TO-251) type A package outline



0068771\_IK\_typeA\_rev14

**Table 15. IPAK (TO-251) type A package mechanical data**

Dim.	mm		
	Min.	Typ.	Max.
A	2.20		2.40
A1	0.90		1.10
b	0.64		0.90
b2			0.95
b4	5.20		5.40
B5		0.30	
c	0.45		0.60
c2	0.48		0.60
D	6.00		6.20
E	6.40		6.60
e		2.28	
e1	4.40		4.60
H		16.10	
L	9.00		9.40
L1	0.80		1.20
L2		0.80	1.00
V1		10°	

## 5 Ordering information

**Table 16. Order codes**

Order code	Marking	Package	Packing
STD5N62K3	5N62K3	DPAK	Tape and reel
STF5N62K3		TO-220FP	Tube
STP5N62K3		TO-220	
STU5N62K3		IPAK	

## Revision history

**Table 17. Document revision history**

Date	Version	Changes
09-Apr-2010	1	First release
20-Oct-2010	2	<ul style="list-style-type: none"> <li>– Added new package, mechanical data: IPAK;</li> <li>– Added new package, mechanical data: D<sup>2</sup>PAK;</li> <li>– Document status promoted from preliminary data to datasheet.</li> </ul>
24-Sep-2018	3	<p>The part number STB5N62K3 has been moved to a separate datasheet.</p> <p>Removed maturity status indication from cover page. The document status is production data.</p> <p>Updated title, features and description on cover page.</p> <p>Updated <a href="#">Section 1 Electrical ratings</a>, <a href="#">Section 2 Electrical characteristics</a> and <a href="#">Section 4 Package information</a>.</p> <p>Minor text changes.</p>

## Contents

<b>1</b>	<b>Electrical ratings</b> .....	<b>2</b>
<b>2</b>	<b>Electrical characteristics</b> .....	<b>3</b>
<b>2.1</b>	Electrical characteristics (curves) .....	5
<b>3</b>	<b>Test circuits</b> .....	<b>8</b>
<b>4</b>	<b>Package information</b> .....	<b>9</b>
<b>4.1</b>	DPAK (TO-252) type A package information .....	9
<b>4.2</b>	DPAK (TO-252) type C2 package information .....	11
<b>4.3</b>	DPAK (TO-252) type E package information .....	13
<b>4.4</b>	DPAK (TO-252) packing information .....	15
<b>4.5</b>	TO-220FP package information .....	17
<b>4.6</b>	TO-220 type A package information .....	19
<b>4.7</b>	IPAK (TO-251) type A package information .....	21
<b>5</b>	<b>Ordering information</b> .....	<b>24</b>
	<b>Revision history</b> .....	<b>25</b>



**IMPORTANT NOTICE – PLEASE READ CAREFULLY**

STMicroelectronics NV and its subsidiaries (“ST”) reserve the right to make changes, corrections, enhancements, modifications, and improvements to ST products and/or to this document at any time without notice. Purchasers should obtain the latest relevant information on ST products before placing orders. ST products are sold pursuant to ST’s terms and conditions of sale in place at the time of order acknowledgement.

Purchasers are solely responsible for the choice, selection, and use of ST products and ST assumes no liability for application assistance or the design of Purchasers’ products.

No license, express or implied, to any intellectual property right is granted by ST herein.

Resale of ST products with provisions different from the information set forth herein shall void any warranty granted by ST for such product.

ST and the ST logo are trademarks of ST. All other product or service names are the property of their respective owners.

Information in this document supersedes and replaces information previously supplied in any prior versions of this document.

© 2018 STMicroelectronics – All rights reserved

## Looking for pricing, stock, or lifecycle information?

Click below to explore more details on WIN SOURCE:

- ⊖ [View STP5N62K3 on WIN SOURCE](#)
- ⊖ [STMicroelectronics Information](#)

## Optimize Your Supply Chain with WIN SOURCE Solutions

- ✓ Global Sourcing Solution
- ✓ Obsolete Management
- ✓ Cost Control Management
- ✓ Shortage Management
- ✓ Alternative Solution
- ✓ Excess Inventory Management