



**THE DATASHEET OF
51720-10201606AALF**

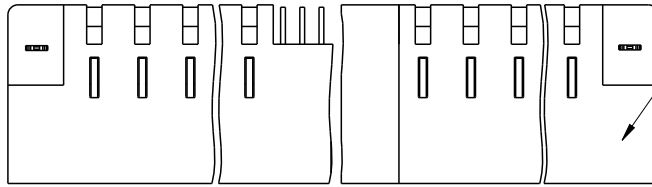
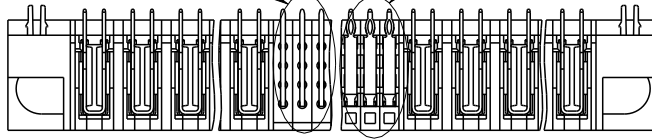


PRODUCT NUMBER

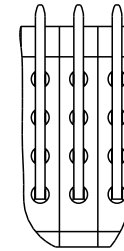
51720-ABBCCDDEF..

SEE NOTE 1

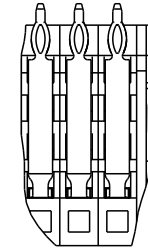
SEE DETAIL A SEE DETAIL B



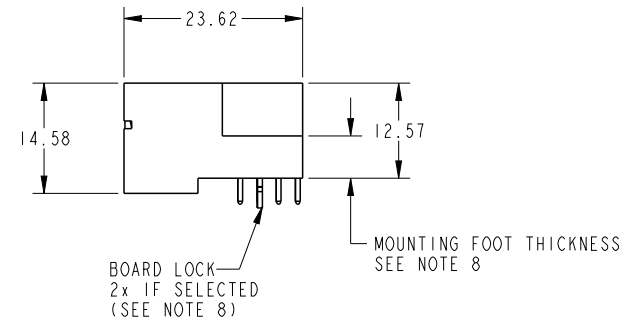
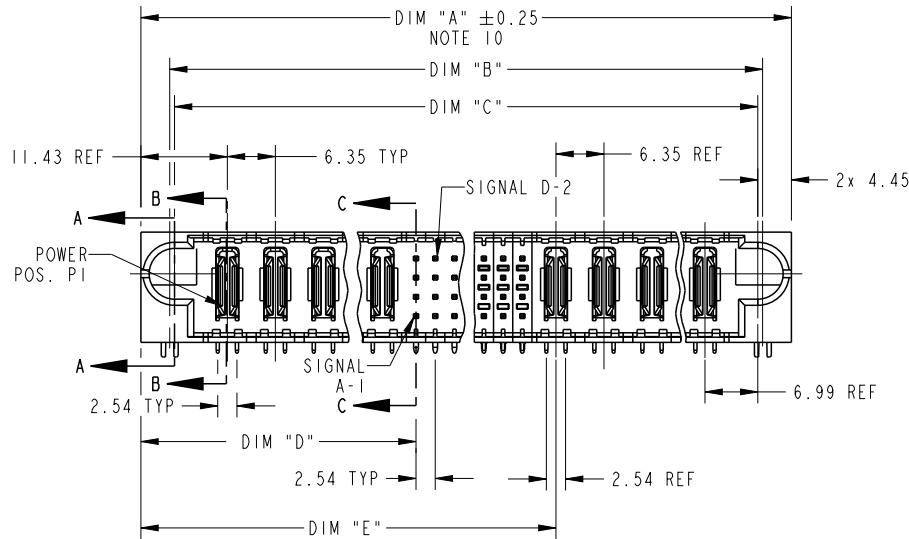
SEE NOTE 9



DETAIL A
SCALE 2:1
FOR SOLDER TO BOARD ONLY



DETAIL B
SCALE 2:1
FOR PRESS FIT ONLY



Copyright FCI.

spec ref	*	dr	w wcadmin	2006/11/08	projection 	MM ←→	size	A4	scale	1:1	
tolerance std	ASME Y14.5	eng	Ruan MT	2015/09/29			ecn no	ELX-DG-21593-1			
TOLERANCES UNLESS OTHERWISE SPECIFIED		chr	Fancy Zhang	2015/09/30			product family	PwrBlade		rel level	Released
surface	✓	appr	Pei-Ming Zheng	2015/09/30	R/A HEADER WITH GUIDE PIN POWER / SIGNAL / POWER		dwg no	51720		rev	S
ASME Y14.5	linear	0.X	±0.5	www.fci.com	cat. no.	51720	Product - Customer Drw		sheet 1 of 3		
		0.XX	±0.25								
		0.XXX	±0.100								
	angular	0°	±2°								

1

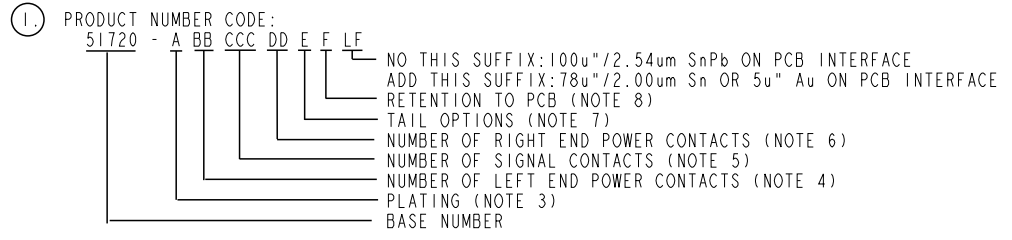
2

3

4

PRODUCT NUMBER	DIM	LENGTH FORMULAS (SEE NOTE 10)
51720-ABBCCDDEF..	DIM "A"	6.35 x BB + 2.54 x (CCC/4) + 6.35 x DD + 16.51(NOTE 10)
SEE NOTE 1	DIM "B"	6.35 x BB + 2.54 x (CCC/4) + 6.35 x DD + 8.89
	DIM "C"	6.35 x BB + 2.54 x (CCC/4) + 6.35 x DD + 7.62
	DIM "D"	6.35 x BB + 9.53
	DIM "E"	6.35 x BB + 2.54 x (CCC/4) + 11.43
	DIM "F"	6.35 x BB + 2.54 x (CCC/4) + 6.35 x DD + 17.27
	DIM "G"	6.35 x BB + 5.72
	DIM "H"	6.35 x BB + 2.54 x (CCC/4) + 6.35

CONNECTOR NOTES



- 2. HOUSING MATERIAL: GLASS FILLED V-O HIGH TEMP THERMO PLASTIC.
 SIGNAL CONTACT MATERIAL: COPPER ALLOY
 POWER CONTACT MATERIAL: COPPER ALLOY
- 3. PLATING OPTION:
 I = SEE ITEM PRINT 10064183 FOR PLATING SPEC OF 51720-ABBCCDDEF; 51720-ABBCCDDEF LF
- 4. LEFT END POWER CONTACTS, 01 TO 19 AVAILABLE.
 MAXIMUM OF 20 POWER CONTACTS PER CONNECTOR.
- 5. SIGNAL CONTACTS, 004 TO 148 AVAILABLE.
- 6. RIGHT END POWER CONTACTS, 01 TO 19 AVAILABLE.
 MAXIMUM OF 20 POWER CONTACTS PER CONNECTOR.
- 7. TAIL OPTIONS:
 A = 3.43 SOLDER TO BOARD
 B = 4.19 SOLDER TO BOARD
 C = 3.43 PRESS FIT
 D = 2.34 SOLDER TO BOARD

- 8. RETENTION TO PCB OPTIONS:
 A = BOARD LOCK (2.49 +0.05, -0.03 THRU HOLE IN PCB).
 MOUNTING FOOT THICKNESS: 5.59
 B = 3.81 THRU HOLE (REQUIRES 4.01±0.07 THRU HOLE IN PCB).
 MOUNTING FOOT THICKNESS: 4.06
 MOUNTING HOLES, WHERE APPLICABLE, ARE UNPLATED.
- 9. MANUFACTURE'S NAME, P/N, AND DATE CODE TO APPEAR ON THIS SURFACE.
- 10. THE MAXIMUM OVERALL LENGTH (DIM A) OF A PART IS 203.2
- 11. PRODUCT SPECIFICATION GS-12-149
 APPLICATION SPECIFICATION BUS-20-067
- 12. REFERENCE 51697 FOR SELECT LOAD/FMLB WORKSHEET.

- PCB NOTES:
- 13. ALL DIMENSIONS ARE BASIC UNLESS OTHERWISE SPECIFIED.
 - 14. ALL THROUGH HOLES ARE LOCATED WITH A TRUE POSITION OF 0.10
 - 15. ALL HOLE DIAMETERS ARE FINISHED HOLE SIZE.
 - 16. Ø1.151±0.025 DRILLED HOLES PLATED WITH 0.008 MIN SnPb or Sn OVER 0.03 TO 0.08 PLATING TO ACHIEVE A 1.02±0.07 HOLE.
 - 17. A SYMBOL WILL BE NEXT TO ANY DIMENSION, VIEW, OR NOTE WHICH HAS BEEN MODIFIED WITH THE CURRENT DRAWING REVISION.
 - 18. CONNECTOR KEEP OUT ZONE.



Copyright FCI.

dr	wcadmin	2006/11/08	projection 	MM 	size	A4	scale	1:1
eng	Ruan MT	2015/09/29			ecn no	ELX-DG-21593-1		
chr	Fancy Zhang	2015/09/30			rel level	Released		
appr	Pei-Ming Zheng	2015/09/30	product family	PwrBlade		rev	S	
		title	R/A HEADER WITH GUIDE PIN POWER / SIGNAL / POWER		dwg no	51720		sheet 2 of 3
www.fci.com		cat. no.	51720	Product - Customer Drw		sheet 2 of 3		

2

3

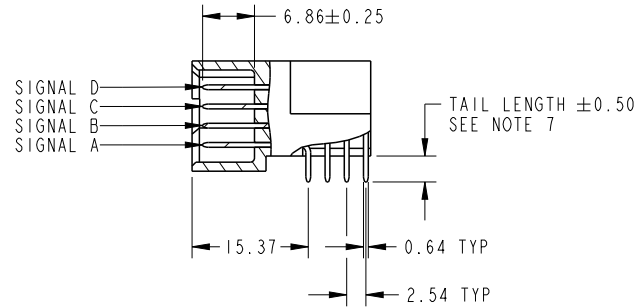
4

PRODUCT NUMBER

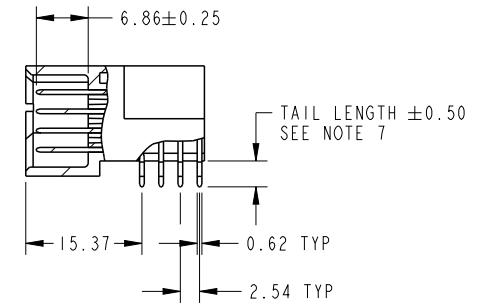
51720-ABBCCDDEF..

SEE NOTE 1

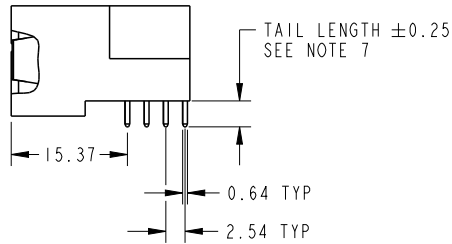
SIGNAL D
SIGNAL C
SIGNAL B
SIGNAL A



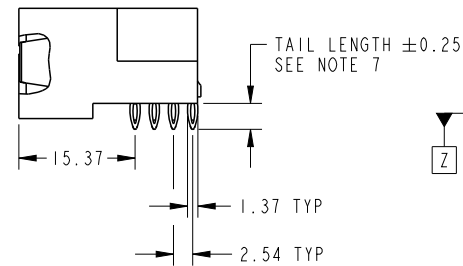
△ BROKEN-OUT SECTION C-C FOR SOLDER TO BOARD ONLY



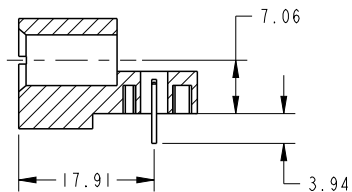
△ BROKEN-OUT SECTION C-C FOR PRESS FIT ONLY



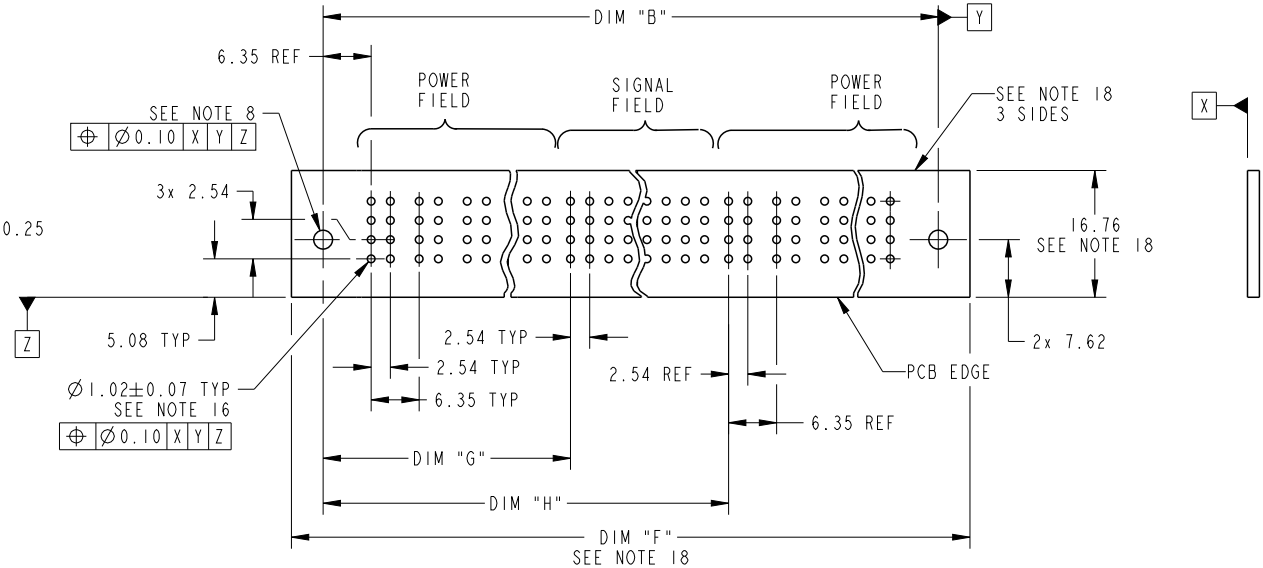
△ BROKEN-OUT SECTION B-B FOR SOLDER TO BOARD ONLY



△ BROKEN-OUT SECTION B-B FOR PRESS FIT ONLY



SECTION A-A



RECOMMENDED PCB LAYOUT

dr	w wcadmin	2006/11/08	projection	MM	size	A4	scale	1:1
eng	Ruan MT	2015/09/29			ecn no	ELX-DG-21593-1		
chr	Fancy Zhang	2015/09/30				rel level	Released	
appr	Pei-Ming Zheng	2015/09/30	product family	PwrBlade				
			title	R/A HEADER WITH GUIDE PIN		dwg no	51720	
				POWER / SIGNAL / POWER			rev	
www.fci.com			cat. no.	51720	Product - Customer Drw		sheet 3 of 3	

FCI
Copyright FCI.

Looking for pricing, stock, or lifecycle information?

Click below to explore more details on WIN SOURCE:

 [View 51720-10201606AALF on WIN SOURCE](#)

 [Amphenol FCI Information](#)

Optimize Your Supply Chain with WIN SOURCE Solutions

-  Global Sourcing Solution
-  Obsolete Management
-  Cost Control Management
-  Shortage Management
-  Alternative Solution
-  Excess Inventory Management