



THE DATASHEET OF ADM706PARZ-REEL



FEATURES

Precision supply voltage monitor

2.63 V (ADM706P, ADM706R, ADM708R)

2.93 V (ADM706S, ADM708S)

3.08 V (ADM706T, ADM708T)

100 μ A quiescent current

200 ms reset pulse width

Debounce manual reset input ($\overline{\text{MR}}$)

Independent watchdog timer

1.6 sec timeout (ADM706P, ADM706R, ADM706S, ADM706T)

Reset output

Active high (ADM706P)

Active low (ADM706R, ADM706S, ADM706T)

Both active high and active low (ADM708R, ADM708S, ADM708T)

Voltage monitor for power fail or low battery warning

Guaranteed RESET valid with $V_{CC} = 1$ V

Superior upgrade for MAX706P/R/S/T, MAX708R/S/T

APPLICATIONS

Microprocessor systems

Computers

Controllers

Intelligent instruments

Critical microprocessor monitoring

Battery operated systems

Portable instruments

GENERAL DESCRIPTION

The ADM706P/ADM706R/ADM706S/ADM706T and the ADM708R/ADM708S/ADM708T microprocessor supervisory circuits are suitable for monitoring either 3 V or 3.3 V power supplies.

The ADM706P/ADM706R/ADM706S/ADM706T provide power supply monitoring circuitry that generate a reset output during power-up, power-down, and brownout conditions. The reset output remains operational with V_{CC} as low as 1 V. Independent watchdog monitoring circuitry is also provided. This activates if the watchdog input does not toggle within 1.6 sec.

In addition, there is a 1.25 V threshold detector for a power fail warning, low battery detection, or to monitor an additional power supply. An active low debounced $\overline{\text{MR}}$ input is also included.

Rev. E

[Document Feedback](#)

Information furnished by Analog Devices is believed to be accurate and reliable. However, no responsibility is assumed by Analog Devices for its use, nor for any infringements of patents or other rights of third parties that may result from its use. Specifications subject to change without notice. No license is granted by implication or otherwise under any patent or patent rights of Analog Devices. Trademarks and registered trademarks are the property of their respective owners.

FUNCTIONAL BLOCK DIAGRAMS

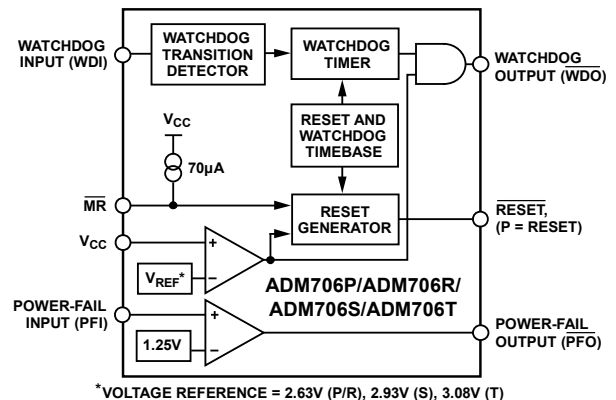


Figure 1. ADM706P/ADM706R/ADM706S/ADM706T

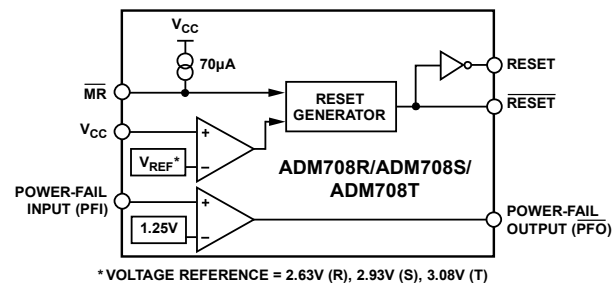


Figure 2. ADM708R/ADM708S/ADM708T

The ADM706R, ADM706S, and ADM706T are identical except for the reset threshold monitor levels, which are 2.63 V, 2.93 V, and 3.08 V, respectively. The ADM706P is identical to the ADM706R in that the reset threshold is 2.63 V. It differs only in that it has an active high reset output.

The ADM708R/ADM708S/ADM708T provide similar functionality as the ADM706R/ADM706S/ADM706T and only differ in that a watchdog timer function is not available. Instead, an active high reset output (RESET) is provided in addition to the active low (RESET) output.

All devices are available in narrow 8-lead PDIP and 8-lead SOIC packages.

TABLE OF CONTENTS

| | | | |
|--|----|--|----|
| Features | 1 | Manual Reset..... | 10 |
| Applications..... | 1 | Watchdog Timer (ADM706P/ADM706R/ ADM706S/ADM706T)..... | 10 |
| Functional Block Diagrams..... | 1 | Power Fail Comparator..... | 11 |
| General Description..... | 1 | Adding Hysteresis to the Power Fail Comparator | 11 |
| Revision History | 2 | Valid $\overline{\text{RESET}}$ Below 1 V V_{CC} | 11 |
| Specifications..... | 3 | Applications Information..... | 12 |
| Absolute Maximum Ratings..... | 5 | Monitoring Additional Supply Levels..... | 12 |
| ESD Caution..... | 5 | Microprocessors with Bidirectional $\overline{\text{RESET}}$ | 12 |
| Pin Configurations and Function Descriptions | 6 | Outline Dimensions | 13 |
| Typical Performance Characteristics | 8 | Ordering Guide | 14 |
| Circuit Information..... | 10 | | |
| Power Fail Reset..... | 10 | | |

REVISION HISTORY

1/16—Rev. D to Rev. E

| | |
|--|----|
| Changes to Table 3..... | 6 |
| Changes to Table 4..... | 7 |
| Changes to Power Fail Comparator Section, Figure 17, and Figure 18..... | 10 |
| Changes to Figure 20 and Figure 22..... | 12 |
| Changes to Ordering Guide | 14 |

10/14—Rev. C to Rev. D

| | |
|--|----|
| Changes to Pin 4 Description; Table 3..... | 6 |
| Changes to Pin 4 Description; Table 4..... | 7 |
| Changes to Ordering Guide | 14 |

5/08—Rev. B to Rev. C

| | |
|--------------------------------------|---|
| Changes to Applications Section..... | 1 |
| Changes to Table 2..... | 5 |
| Changes to Table 3..... | 6 |
| Changes to Figure 8..... | 7 |
| Changes to Figure 16..... | 9 |

2/07—Rev. A to Rev. B

| | |
|---------------------------------|-----------|
| Updated Format..... | Universal |
| Changes to Table 1..... | 3 |
| Updated Outline Dimensions..... | 12 |
| Changes to Ordering Guide | 13 |

SPECIFICATIONS

$V_{CC} = 2.70\text{ V}$ to 5.5 V (ADM706P/ADM706R/ADM708R), $V_{CC} = 3.00\text{ V}$ to 5.5 V (ADM70xS), $V_{CC} = 3.15\text{ V}$ to 5.5 V (ADM70xT), $T_A = T_{MIN}$ to T_{MAX} unless otherwise noted.

Table 1.

| Parameter | Min | Typ | Max | Unit | Test Conditions/Comments |
|---|-------------------------|-------|------|---------------|---|
| POWER SUPPLY | | | | | |
| V_{CC} Operating Voltage Range | 1.0 | | 5.5 | V | |
| Supply Current | | 100 | 200 | μA | $V_{CC} < 3.6\text{ V}$ |
| | | 150 | 350 | μA | $V_{CC} < 5.5\text{ V}$ |
| LOGIC OUTPUT | | | | | |
| Reset Threshold (V_{RST}) | 2.55 | 2.63 | 2.70 | V | ADM706P/ADM706R/ADM708R |
| | 2.85 | 2.93 | 3.00 | V | ADM706S/ADM708S |
| | 3.00 | 3.08 | 3.15 | V | ADM706T/ADM708T |
| Reset Threshold Hysteresis | | 20 | | mV | |
| RESET PULSE WIDTH | | | | | |
| | 160 | 200 | 280 | ms | ADM706P/ADM706R/ADM708R, $V_{CC} = 3\text{ V}$ |
| | 160 | 200 | 280 | ms | ADM706S/ADM708S/ADM706T/ADM708T, $V_{CC} = 3.3\text{ V}$ |
| | | 200 | | ms | $V_{CC} = 5.0\text{ V}$ |
| RESET OUTPUT VOLTAGE (ADM706R/ADM708R/ADM706S/ADM708S/ADM706T/ADM708T) | | | | | |
| V_{OH} | $0.8 \times V_{CC}$ | | | V | $V_{RST}(\text{max}) < V_{CC} < 3.6\text{ V}$, $I_{SOURCE} = 500\ \mu\text{A}$ |
| V_{OL} | | | 0.3 | V | $V_{RST}(\text{max}) < V_{CC} < 3.6\text{ V}$, $I_{SINK} = 1.2\text{ mA}$ |
| V_{OH} | $V_{CC} - 1.5\text{ V}$ | | | V | $4.5\text{ V} < V_{CC} < 5.5\text{ V}$, $I_{SOURCE} = 800\ \mu\text{A}$ |
| V_{OL} | | | 0.4 | V | $4.5\text{ V} < V_{CC} < 5.5\text{ V}$, $I_{SINK} = 3.2\text{ mA}$ |
| V_{OL} | | | 0.3 | V | $V_{CC} = 1\text{ V}$, $I_{SINK} = 100\ \mu\text{A}$ |
| RESET OUTPUT VOLTAGE (ADM706P) | | | | | |
| V_{OH} | $V_{CC} - 0.6\text{ V}$ | | | V | $V_{RST}(\text{max}) < V_{CC} < 3.6\text{ V}$, $I_{SOURCE} = 215\ \mu\text{A}$ |
| V_{OL} | | | 0.3 | V | $V_{RST}(\text{max}) < V_{CC} < 3.6\text{ V}$, $I_{SINK} = 1.2\text{ mA}$ |
| V_{OH} | $V_{CC} - 1.5\text{ V}$ | | | V | $4.5\text{ V} < V_{CC} < 5.5\text{ V}$, $I_{SOURCE} = 800\ \mu\text{A}$ |
| V_{OL} | | | 0.4 | V | $4.5\text{ V} < V_{CC} < 5.5\text{ V}$, $I_{SINK} = 3.2\text{ mA}$ |
| RESET OUTPUT VOLTAGE (ADM708R/ADM708S/ADM708T) | | | | | |
| V_{OH} | $0.8 \times V_{CC}$ | | | V | $V_{RST}(\text{max}) < V_{CC} < 3.6\text{ V}$, $I_{SOURCE} = 500\ \mu\text{A}$ |
| V_{OL} | | | 0.3 | V | $V_{RST}(\text{max}) < V_{CC} < 3.6\text{ V}$, $I_{SINK} = 500\ \mu\text{A}$ |
| V_{OH} | $V_{CC} - 1.5\text{ V}$ | | | V | $4.5\text{ V} < V_{CC} < 5.5\text{ V}$, $I_{SOURCE} = 800\ \mu\text{A}$ |
| V_{OL} | | | 0.4 | V | $4.5\text{ V} < V_{CC} < 5.5\text{ V}$, $I_{SINK} = 1.2\text{ mA}$ |
| WATCHDOG INPUT (ADM706P/ADM706R/ADM706S/ADM706T) | | | | | |
| Watchdog Timeout Period | 1.00 | 1.60 | 2.25 | sec | ADM706P/ADM706R: $V_{CC} = 3\text{ V}$; ADM706S/ADM706T: $V_{CC} = 3.3\text{ V}$; $V_{IL} = 0.4\text{ V}$, $V_{IH} = V_{CC} \times 0.8\text{ V}$ |
| WDI Pulse Width | 100 | | | ns | $V_{RST}(\text{max}) < V_{CC} < 3.6\text{ V}$ |
| | 50 | | | ns | $4.5\text{ V} < V_{CC} < 5.5\text{ V}$ |
| WDI Input Threshold | | | | | |
| V_{IL} | | | 0.6 | V | $V_{RST}(\text{max}) < V_{CC} < 3.6\text{ V}$ |
| V_{IH} | $0.7 \times V_{CC}$ | | | V | $V_{RST}(\text{max}) < V_{CC} < 3.6\text{ V}$ |
| V_{IL} | | | 0.8 | V | $V_{CC} = 5.0\text{ V}$ |
| V_{IH} | 3.5 | | | V | $V_{CC} = 5.0\text{ V}$ |
| WDI Input Current | -1.0 | +0.02 | +1.0 | μA | WDI = 0 V or V_{CC} |

| Parameter | Min | Typ | Max | Unit | Test Conditions/Comments |
|--|-------------------------|-------|-----|---------------|---|
| WDO OUTPUT VOLTAGE | | | | | |
| V_{OH} | $0.8 \times V_{CC}$ | | | V | $V_{RST}(\max) < V_{CC} < 3.6\text{ V}$, $I_{SOURCE} = 500\ \mu\text{A}$ |
| | $V_{CC} - 1.5\text{ V}$ | | | V | $4.5\text{ V} < V_{CC} < 5.5\text{ V}$, $I_{SOURCE} = 800\ \mu\text{A}$ |
| V_{OL} | | | 0.3 | V | $V_{RST}(\max) < V_{CC} < 3.6\text{ V}$, $I_{SINK} = 500\ \mu\text{A}$ |
| | | | 0.4 | V | $4.5\text{ V} < V_{CC} < 5.5\text{ V}$, $I_{SINK} = 1.2\text{ mA}$ |
| MANUAL RESET INPUT | | | | | |
| \overline{MR} Pull-Up Current ($\overline{MR} = 0\text{ V}$) | 25 | 70 | 250 | μA | $V_{RST}(\max) < V_{CC} < 3.6\text{ V}$ |
| | 100 | 250 | 600 | μA | $4.5\text{ V} < V_{CC} < 5.5\text{ V}$ |
| \overline{MR} Pulse Width | 500 | | | ns | $V_{RST}(\max) < V_{CC} < 3.6\text{ V}$ |
| | 150 | | | ns | $4.5\text{ V} < V_{CC} < 5.5\text{ V}$ |
| \overline{MR} INPUT THRESHOLD | | | | | |
| V_{IL} | | | 0.6 | V | $V_{RST}(\max) < V_{CC} < 3.6\text{ V}$ |
| V_{IH} | $0.7 \times V_{CC}$ | | | V | $V_{RST}(\max) < V_{CC} < 3.6\text{ V}$ |
| V_{IL} | | | 0.8 | V | $4.5\text{ V} < V_{CC} < 5.5\text{ V}$ |
| V_{IH} | 2.0 | | | V | $4.5\text{ V} < V_{CC} < 5.5\text{ V}$ |
| MR TO RESET OUTPUT DELAY | | | | | |
| | | | 750 | ns | $V_{RST}(\max) < V_{CC} < 3.6\text{ V}$ |
| | | | 250 | ns | $4.5\text{ V} < V_{CC} < 5.5\text{ V}$ |
| POWER FAIL INPUT | | | | | |
| PFI Input Threshold | 1.2 | 1.25 | 1.3 | V | ADM706P/ADM706R/ADM708R, $V_{CC} = 3\text{ V}$ ADM706S/ADM708S/ADM706T/ADM708T, $V_{CC} = 3.3\text{ V}$, PFI falling |
| PFI Input Current | -25 | +0.01 | +25 | nA | |
| PFO OUTPUT VOLTAGE | | | | | |
| V_{OH} | $0.8 \times V_{CC}$ | | | V | $V_{RST}(\max) < V_{CC} < 3.6\text{ V}$, $I_{SOURCE} = 500\ \mu\text{A}$ |
| V_{OL} | | | 0.3 | V | $V_{RST}(\max) < V_{CC} < 3.6\text{ V}$, $I_{SINK} = 1.2\text{ mA}$ |
| V_{OH} | $V_{CC} - 1.5\text{ V}$ | | | V | $4.5\text{ V} < V_{CC} < 5.5\text{ V}$, $I_{SOURCE} = 800\ \mu\text{A}$ |
| V_{OL} | | | 0.4 | V | $4.5\text{ V} < V_{CC} < 5.5\text{ V}$, $I_{SINK} = 3.2\text{ mA}$ |

ABSOLUTE MAXIMUM RATINGS

$T_A = 25^\circ\text{C}$ unless otherwise noted.

Table 2.

| Parameter | Rating |
|--------------------------------------|----------------------------|
| V_{CC} | -0.3 V to +6 V |
| All Other Inputs | -0.3 V to $V_{CC} + 0.3$ V |
| Input Current | |
| V_{CC} | 20 mA |
| GND | 20 mA |
| Digital Output Current | 20 mA |
| Power Dissipation, N-8 (PDIP) | 727 mW |
| θ_{JA} Thermal Impedance | 135°C/W |
| Power Dissipation, R-8 (SOIC) | 470 mW |
| θ_{JA} Thermal Impedance | 110°C/W |
| Operating Temperature Range | |
| Industrial (Version A) | -40°C to +85°C |
| Lead Temperature (Soldering, 10 sec) | 300°C |
| Vapor Phase (60 sec) | 215°C |
| Infrared (15 sec) | 220°C |
| Storage Temperature Range | -65°C to +150°C |
| ESD Rating | >4.5 kV |

Stresses at or above those listed under Absolute Maximum Ratings may cause permanent damage to the product. This is a stress rating only; functional operation of the product at these or any other conditions above those indicated in the operational section of this specification is not implied. Operation beyond the maximum operating conditions for extended periods may affect product reliability.

ESD CAUTION



ESD (electrostatic discharge) sensitive device.

Charged devices and circuit boards can discharge without detection. Although this product features patented or proprietary protection circuitry, damage may occur on devices subjected to high energy ESD. Therefore, proper ESD precautions should be taken to avoid performance degradation or loss of functionality.

PIN CONFIGURATIONS AND FUNCTION DESCRIPTIONS



Figure 3. ADM706P



Figure 4. ADM706R/ADM706S/ADM706T

Table 3. Pin Function Descriptions ADM706P/ADM706R/ADM706S/ADM706T

| Pin No. | Mnemonic | Description |
|----------------------------------|---------------------------|--|
| 1 | $\overline{\text{MR}}$ | Manual Reset Input. When taken below 0.6 V, a RESET/RESET is generated. $\overline{\text{MR}}$ can be driven from TTL, CMOS logic, or from a manual reset switch because it is internally debounced. An internal 70 μA pull-up current holds the input high when floating. |
| 2 | V_{CC} | Power Supply Input. Place a 0.1 μF decoupling capacitor between the V_{CC} and GND pins. |
| 3 | GND | Ground. Ground reference for all signals (0 V). |
| 4 | PFI | Power Fail Input. PFI is the noninverting input to the power fail comparator. When PFI is less than 1.25 V, PFO goes low. If unused, PFI connects to GND. |
| 5 | $\overline{\text{PFO}}$ | Power Fail Output. $\overline{\text{PFO}}$ is the output from the power fail comparator. It goes low when PFI is less than 1.25 V. |
| 6 | WDI | Watchdog Input. If WDI remains either high or low for longer than the watchdog timeout period, the watchdog output, WDO, goes low. The timer resets with each transition at the WDI input. Either a high to low or a low to high transition clears the counter. The internal timer is also cleared whenever reset is asserted. |
| 7 (ADM706R/ADM706S/ADM706T Only) | $\overline{\text{RESET}}$ | Logic Output. $\overline{\text{RESET}}$ goes low for 200 ms when triggered. It is triggered either by V_{CC} being below the reset threshold or by a low signal on the $\overline{\text{MR}}$ input. $\overline{\text{RESET}}$ remains low whenever V_{CC} is below the reset threshold. It remains low for 200 ms after V_{CC} goes above the reset threshold or $\overline{\text{MR}}$ goes from low to high. A watchdog timeout does not trigger $\overline{\text{RESET}}$ unless WDO is connected to $\overline{\text{MR}}$. |
| 7 (ADM706P Only) | RESET | Logic Output. RESET is an active high output suitable for systems that use active high reset logic. It is the inverse of $\overline{\text{RESET}}$. |
| 8 | $\overline{\text{WDO}}$ | Watchdog Output. $\overline{\text{WDO}}$ goes low if the internal watchdog timer times out as a result of inactivity on the WDI input. It remains low until the watchdog timer is cleared. $\overline{\text{WDO}}$ also goes low during low line conditions. Whenever V_{CC} is below the reset threshold, $\overline{\text{WDO}}$ remains low. As soon as V_{CC} goes above the reset threshold, $\overline{\text{WDO}}$ goes high immediately. |



Figure 5. ADM708R/ADM708S/ADM708T

Table 4. Pin Function Descriptions ADM708R/ADM708S/ADM708T

| Pin No. | Mnemonic | Description |
|---------|-----------------|---|
| 1 | MR | Manual Reset Input. When taken below 0.6 V, a RESET/RESET is generated. MR can be driven from TTL, CMOS logic, or from a manual reset switch because it is internally debounced. An internal 70 μ A pull-up current holds the input high when floating. |
| 2 | V _{CC} | Power Supply Input. Place a 0.1 μ F decoupling capacitor between the V _{CC} and GND pins. |
| 3 | GND | Ground. Ground reference for all signals (0 V). |
| 4 | PFI | Power Fail Input. PFI is the noninverting input to the power fail comparator. When PFI is less than 1.25 V, PFO goes low. If unused, PFI must connect to GND. |
| 5 | PFO | Power Fail Output. PFO is the output from the power fail comparator. It goes low when PFI is less than 1.25 V. |
| 6 | NC | No Connect. |
| 7 | RESET | Logic Output. RESET goes low for 200 ms when triggered. It is triggered either by V _{CC} being below the reset threshold or by a low signal on the MR input. RESET remains low whenever V _{CC} is below the reset threshold. It remains low for 200 ms after V _{CC} goes above the reset threshold or MR goes from low to high. A watchdog timeout does not trigger RESET unless WDO is connected to MR. |
| 8 | RESET | Logic Output. RESET is an active high output suitable for systems that use active high reset logic. It is the inverse of RESET. |

TYPICAL PERFORMANCE CHARACTERISTICS

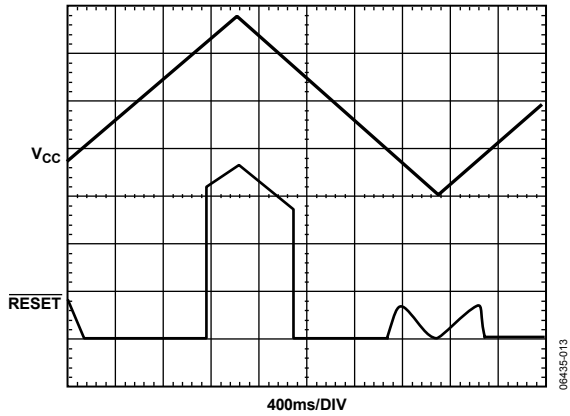


Figure 6. ADM706R/ADM706S/ADM706T and the ADM708R/ADM708S/ADM708T RESET Output Voltage vs. Supply Voltage

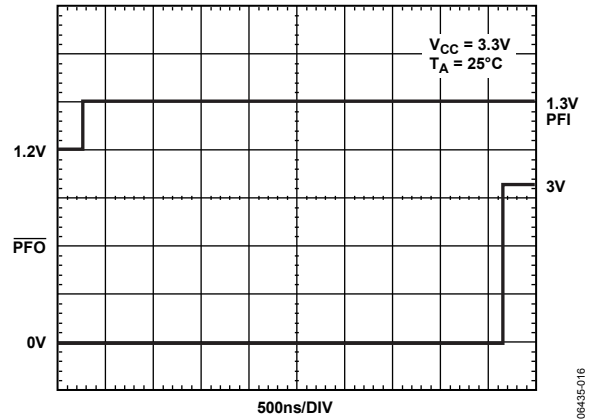


Figure 9. PFI Deassertion Response Time

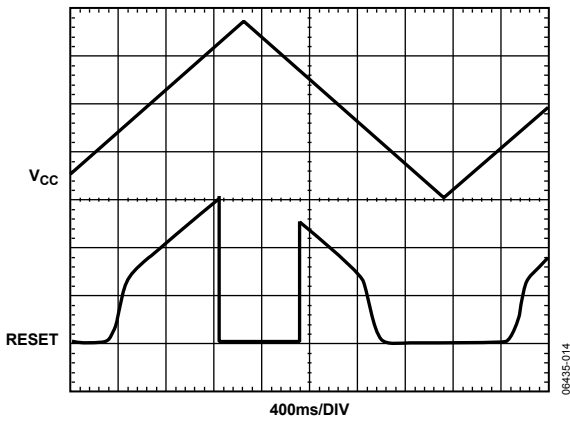


Figure 7. RESET Output Voltage vs. Supply Voltage

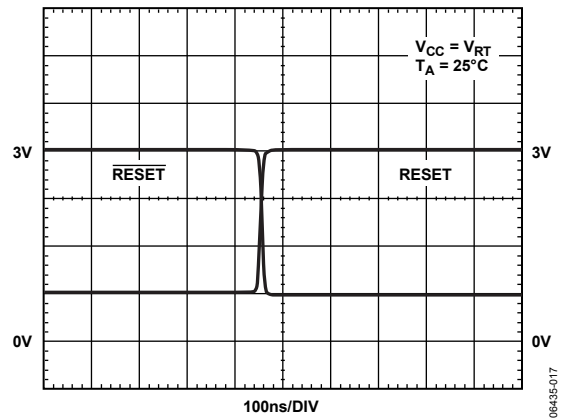


Figure 10. RESET, RESET Assertion

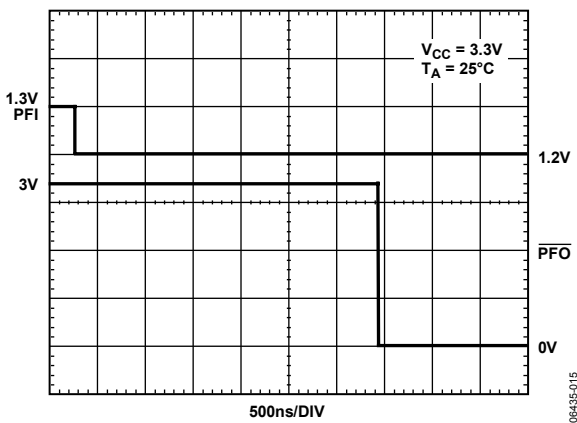


Figure 8. PFI Assertion Response Time

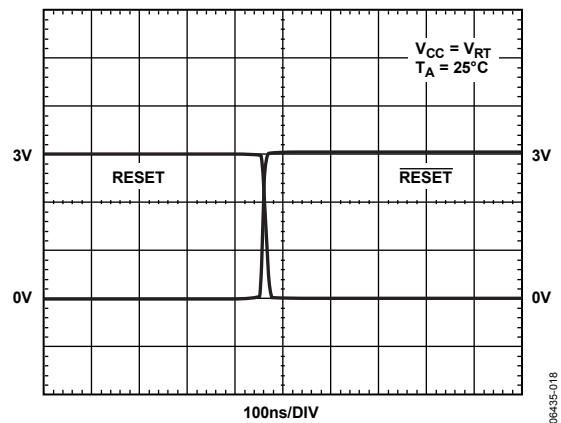


Figure 11. RESET, RESET Deassertion



Figure 12. ADM706R/ADM706S/ADM706T and the ADM708R/ADM708S/ADM708T RESET Response Time

CIRCUIT INFORMATION

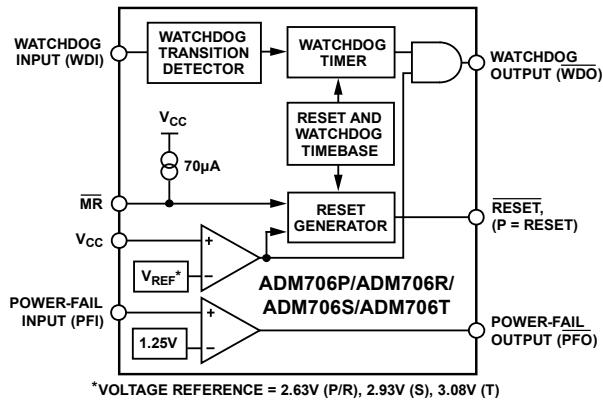


Figure 13. ADM706P/ADM706R/ADM706S/ADM706T Functional Block Diagram

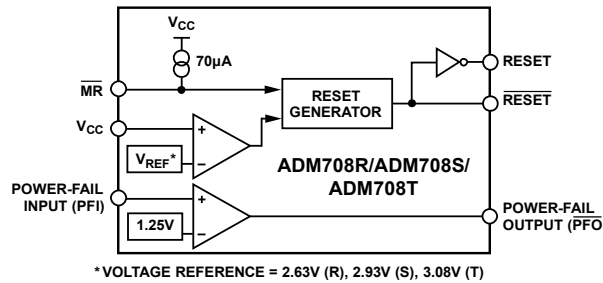


Figure 14. ADM708R/ADM708S/ADM708T Functional Block Diagram

POWER FAIL RESET

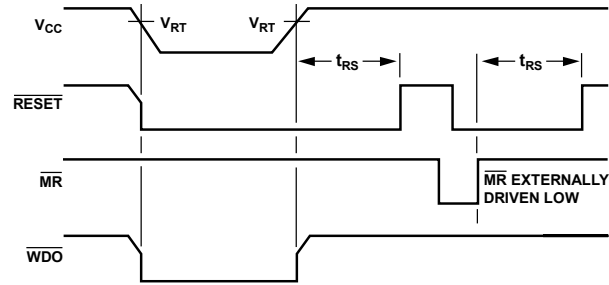
The reset output provides a reset (RESET or RESET) output signal to the microprocessor whenever the V_{CC} input is below the reset threshold. The actual reset threshold voltage is dependent on whether a P, R, S, or T suffix device is used. An internal timer holds the reset output active for 200 ms after the voltage on V_{CC} rises above the threshold. This is intended as a power-on reset signal for the microprocessor. It allows time for both the power supply and the microprocessor to stabilize after power-up. If a power supply brownout or interruption occurs, the reset line is similarly activated and remains active for 200 ms after the supply recovers. If another interruption occurs during an active reset period, the reset timeout period continues for an additional 200 ms.

The reset output is guaranteed to remain valid with V_{CC} as low as 1 V. This ensures that the microprocessor is held in a stable shutdown condition as the power supply starts up.

The ADM706P provides an active high RESET signal; the ADM706R/ADM706S/ADM706T provide an active low RESET signal; and the ADM708R/ADM706S/ADM706T provide both RESET and RESET.

MANUAL RESET

The MR input allows other reset sources, such as a manual reset switch, to generate a processor reset. The input is effectively debounced by the timeout period (200 ms typical). The MR input is TTL-/CMOS-compatible; it can also be driven by any logic reset output. If unused, the MR input can be tied high or left floating.



NOTES
RESET = COMPLEMENT OF RESET

Figure 15. RESET, MR, and WDO Timing

WATCHDOG TIMER (ADM706P/ADM706R/ADM706S/ADM706T)

The watchdog timer circuit monitors the activity of the microprocessor to check that it is not stalled in an indefinite loop. An output line on the processor is used to toggle the watchdog input (WDI) line. If this line is not toggled within the timeout period (1.6 sec), the watchdog output (WDO) is driven low. The WDO output is connected to a nonmaskable interrupt (NMI) on the processor. Therefore, if the watchdog timer times out, an interrupt is generated. The interrupt service routine is used to rectify the problem.

The watchdog timer is cleared either by a high to low or by a low to high transition on WDI. Pulses as narrow as 50 ns are detected. The timer is also cleared by RESET/RESET going active. Therefore, the watchdog timeout period begins after reset goes inactive.

When V_{CC} falls below the reset threshold, WDO is forced low whether or not the watchdog timer has timed out. Normally, this generates an interrupt, but it is overridden by RESET/RESET going active.



Figure 16. Watchdog Timing

POWER FAIL COMPARATOR

The power fail comparator is an independent comparator that monitors the input power supply. The inverting input of the comparator internally connects to a 1.25 V reference voltage. The noninverting input is available at the PFI input. This input monitors the input power supply via a resistive divider network. When the voltage on the PFI input drops below 1.25 V, the comparator output (PFO) goes low, indicating a power failure. For early warning of power failure, the comparator monitors the preregulator input by choosing an appropriate resistive divider network. The PFO output interrupts the processor to implement a shutdown procedure before the power is lost.

As the voltage on the PFI pin is limited to $V_{CC} + 0.3$ V, it is recommended to connect the PFI pin with a Schottky diode to the RESET pin, as shown in Figure 17. This helps with clamping the PFI pin voltage during device power up and operation.

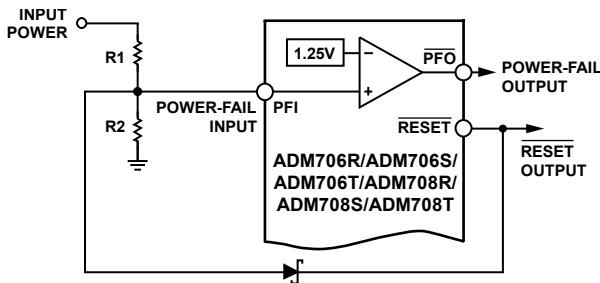


Figure 17. Power Fail Comparator

ADDING HYSTERESIS TO THE POWER FAIL COMPARATOR

For increased noise immunity, hysteresis can be added to the power fail comparator. Because the comparator circuit is non-inverting, hysteresis is added simply by connecting a resistor between the PFO output and the PFI input as shown in Figure 18. When PFO is low, Resistor R3 sinks current from the summing junction at the PFI pin. When PFO is high, Resistor R3 sources current into the PFI summing junction. This results in differing trip levels for the comparator. Further noise immunity is achieved by connecting a capacitor between PFI and GND.



Figure 18. Adding Hysteresis to the Power Fail Comparator

$$V_H = 1.25 \left[1 + \left(\frac{R_2 + R_3}{R_2 \times R_3} \right) R_1 \right]$$

$$V_L = 1.25 + R_1 \left(\frac{1.25}{R_2} - \frac{V_{CC} - 1.25}{R_3} \right)$$

$$V_{MID} = 1.25 \left(\frac{R_1 + R_2}{R_2} \right)$$

VALID RESET BELOW 1 V V_{CC}

The ADM706R/ADM706S/ADM706T, ADM708R/ADM708S/ADM708T are guaranteed to provide a valid reset level with V_{CC} as low as 1 V. Refer to the Typical Performance Characteristics section. As V_{CC} drops below 1 V, the internal transistor does not have sufficient drive to hold it on so the voltage on RESET is no longer held at 0 V. A pull-down resistor, as shown in Figure 19, can connect externally to hold the line low if it is required.



Figure 19. RESET Valid Below 1 V

APPLICATIONS INFORMATION

A typical operating circuit is shown in Figure 20. The unregulated dc input supply is monitored using the PFI input via the resistive divider network. Resistor R1 and Resistor R2 are to be selected so that when the supply voltage drops below the desired level (for example, 5 V), the voltage on PFI drops below the 1.25 V threshold, thereby generating an interrupt to the microprocessor. Monitoring the preregulator input gives additional time to execute an orderly shutdown procedure before power is lost.

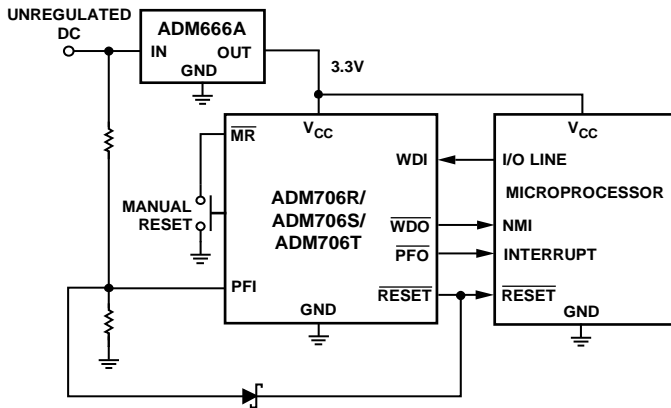


Figure 20. Typical Application Circuit

Microprocessor activity is monitored using the WDI input. This is driven using an output line from the processor. The software routines toggle this line at least once every 1.6 sec. If a problem occurs and this line is not toggled, WDO goes low and a nonmaskable interrupt is generated. This interrupt routine is to be used to clear the problem.

If, in the event of inactivity on the WDI line, a system reset is required, the WDO output is to be connected to the input as shown in Figure 21.



Figure 21. RESET from WDO

MONITORING ADDITIONAL SUPPLY LEVELS

It is possible to use the power fail comparator to monitor a second supply as shown in Figure 22. The two sensing resistors, R1 and R2, are selected such that the voltage on PFI drops below 1.25 V at the minimum acceptable input supply. The PFO output can connect to the MR input so a reset generates when the supply drops out of tolerance. In this case, if either supply drops out of tolerance, a reset is generated.

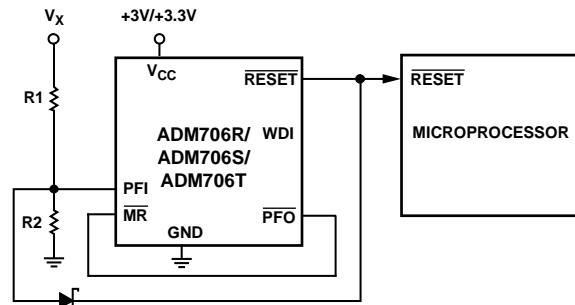


Figure 22. Monitoring 3 V/3.3 V and an Additional Supply, V_x

MICROPROCESSORS WITH BIDIRECTIONAL RESET

To prevent contention for microprocessors with a bidirectional reset line, a current limiting resistor is to be inserted between the ADM706R/ADM706S/ADM706T, ADM708R/ADM708S/ADM708T RESET output pin and the microprocessor reset pin. This limits the current to a safe level if there are conflicting output reset levels. A suitable resistor value is 4.7 kΩ. If the reset output is required for other uses, it must be buffered as shown in Figure 23.

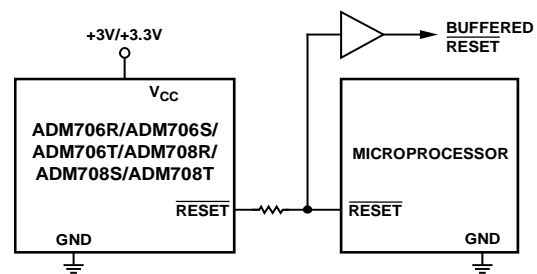


Figure 23. Bidirectional Input/Output RESET

OUTLINE DIMENSIONS



COMPLIANT TO JEDEC STANDARDS MS-001
 CONTROLLING DIMENSIONS ARE IN INCHES; MILLIMETER DIMENSIONS (IN PARENTHESES) ARE ROUNDED-OFF INCH EQUIVALENTS FOR REFERENCE ONLY AND ARE NOT APPROPRIATE FOR USE IN DESIGN. CORNER LEADS MAY BE CONFIGURED AS WHOLE OR HALF LEADS.

Figure 24. 8-Lead Plastic Dual In-Line Package [PDIP] Narrow Body (N-8)

Dimension shown in inches and (millimeters)

070606-A



COMPLIANT TO JEDEC STANDARDS MS-012-AA
 CONTROLLING DIMENSIONS ARE IN MILLIMETERS; INCH DIMENSIONS (IN PARENTHESES) ARE ROUNDED-OFF MILLIMETER EQUIVALENTS FOR REFERENCE ONLY AND ARE NOT APPROPRIATE FOR USE IN DESIGN.

Figure 25. 8-Lead Standard Small Outline Package [SOIC_N] Narrow Body (R-8)

Dimensions shown in millimeters and (inches)

012407-A

ORDERING GUIDE

| Model¹ | Temperature Range | Package Description | Package Option |
|--------------------------|--------------------------|--|-----------------------|
| ADM706PANZ | -40°C to +85°C | 8-Lead Plastic Dual In-Line Package [PDIP] | N-8 |
| ADM706PARZ | -40°C to +85°C | 8-Lead Small Outline Package [SOIC_N] | R-8 |
| ADM706PARZ-REEL | -40°C to +85°C | 8-Lead Small Outline Package [SOIC_N] | R-8 |
| ADM706RANZ | -40°C to +85°C | 8-Lead Plastic Dual In-Line Package [PDIP] | N-8 |
| ADM706RAR | -40°C to +85°C | 8-Lead Small Outline Package [SOIC_N] | R-8 |
| ADM706RARZ | -40°C to +85°C | 8-Lead Small Outline Package [SOIC_N] | R-8 |
| ADM706RARZ-REEL | -40°C to +85°C | 8-Lead Small Outline Package [SOIC_N] | R-8 |
| ADM706RARZ-REEL7 | -40°C to +85°C | 8-Lead Small Outline Package [SOIC_N] | R-8 |
| ADM706SANZ | -40°C to +85°C | 8-Lead Plastic Dual In-Line Package [PDIP] | N-8 |
| ADM706SAR | -40°C to +85°C | 8-Lead Small Outline Package [SOIC_N] | R-8 |
| ADM706SAR-REEL | -40°C to +85°C | 8-Lead Small Outline Package [SOIC_N] | R-8 |
| ADM706SARZ | -40°C to +85°C | 8-Lead Small Outline Package [SOIC_N] | R-8 |
| ADM706SARZ-REEL | -40°C to +85°C | 8-Lead Small Outline Package [SOIC_N] | R-8 |
| ADM706TANZ | -40°C to +85°C | 8-Lead Plastic Dual In-Line Package [PDIP] | N-8 |
| ADM706TAR | -40°C to +85°C | 8-Lead Small Outline Package [SOIC_N] | R-8 |
| ADM706TAR-REEL | -40°C to +85°C | 8-Lead Small Outline Package [SOIC_N] | R-8 |
| ADM706TARZ | -40°C to +85°C | 8-Lead Small Outline Package [SOIC_N] | R-8 |
| ADM706TARZ-REEL | -40°C to +85°C | 8-Lead Small Outline Package [SOIC_N] | R-8 |
| ADM708RANZ | -40°C to +85°C | 8-Lead Plastic Dual In-Line Package [PDIP] | N-8 |
| ADM708RAR | -40°C to +85°C | 8-Lead Small Outline Package [SOIC_N] | R-8 |
| ADM708RAR-REEL | -40°C to +85°C | 8-Lead Small Outline Package [SOIC_N] | R-8 |
| ADM708RARZ | -40°C to +85°C | 8-Lead Small Outline Package [SOIC_N] | R-8 |
| ADM708RARZ-REEL | -40°C to +85°C | 8-Lead Small Outline Package [SOIC_N] | R-8 |
| ADM708SANZ | -40°C to +85°C | 8-Lead Plastic Dual In-Line Package [PDIP] | N-8 |
| ADM708SAR | -40°C to +85°C | 8-Lead Small Outline Package [SOIC_N] | R-8 |
| ADM708SAR-REEL | -40°C to +85°C | 8-Lead Small Outline Package [SOIC_N] | R-8 |
| ADM708SARZ | -40°C to +85°C | 8-Lead Small Outline Package [SOIC_N] | R-8 |
| ADM708SARZ-REEL | -40°C to +85°C | 8-Lead Small Outline Package [SOIC_N] | R-8 |
| ADM708TANZ | -40°C to +85°C | 8-Lead Plastic Dual In-Line Package [PDIP] | N-8 |
| ADM708TAR | -40°C to +85°C | 8-Lead Small Outline Package [SOIC_N] | R-8 |
| ADM708TARZ | -40°C to +85°C | 8-Lead Small Outline Package [SOIC_N] | R-8 |
| ADM708TARZ-REEL | -40°C to +85°C | 8-Lead Small Outline Package [SOIC_N] | R-8 |

¹ Z = RoHS Compliant Part.

NOTES

NOTES

Looking for pricing, stock, or lifecycle information?

Click below to explore more details on WIN SOURCE:

- ⊖ [View ADM706PARZ-REEL on WIN SOURCE](#)
- ⊖ [Analog Devices Inc. Information](#)

Optimize Your Supply Chain with WIN SOURCE Solutions

- ✓ Global Sourcing Solution
- ✓ Obsolete Management
- ✓ Cost Control Management
- ✓ Shortage Management
- ✓ Alternative Solution
- ✓ Excess Inventory Management