



**THE DATASHEET OF
UE86-3G1420-00361**



AMPHENOL PART NUMBER CONFIGURATION

UE86-3G1420-00X61

LIGHT PIPE OPTION

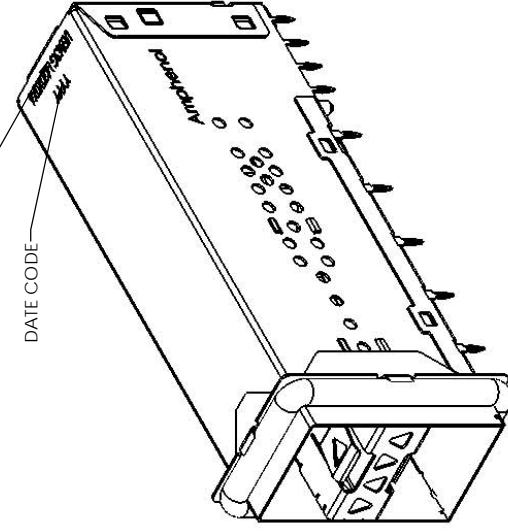
- 0 - NO LIGHT PIPE
- 1 - 4 LP PER 2X1, NORMAL ORIENTATION
- 2 - 2 INNER LP PER 2X1, NORMAL ORIENTATION
- 3 - 2 OUTER LP PER 2X1, NORMAL ORIENTATION
- 4 - 4 LP PER 2X1, REVERSING ORIENTATION
- 5 - 2 INNER LP PER 2X1, REVERSING ORIENTATION
- 6 - 2 OUTER LP PER 2X1, REVERSING ORIENTATION
- 7 - 3 LP PER 2X1, 2 OUTER LP, NORMAL ORIENTATION
- 8 - 3 LP PER 2X1, 2 OUTER LP, REVERSING ORIENTATION

PACKAGING

- 1 - TRAY PACKAGING (STACKED)
- PLATING OPTIONS FOR CONNECTOR
- 2 - 30µ" GOLD PLATING ON MATING AREA
- 15-100µ" MATTE TIN ON TERMINATION
- 3 - 30µ" GOLD PLATING ON MATING AREA
- 150-300µ" MATTE TIN ON TERMINATION
- 5 - 15µ" GOLD PLATING ON MATING AREA
- 15-100µ" MATTE TIN ON TERMINATION
- 6 - 15µ" GOLD PLATING ON MATING AREA
- 150-300µ" MATTE TIN ON TERMINATION

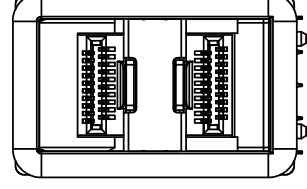
PART NUMBER (LAST DIGIT INDICATING PACKAGING TYPE, NOT PRINTED ON THE PART)

DATE CODE

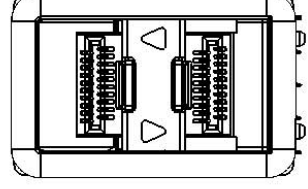


MATERIAL: (RoHS COMPLIANT)

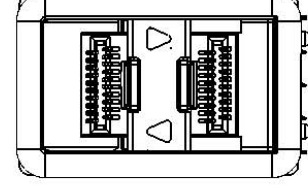
1. CAGE - PRESS FIT: COPPER ALLOY (NICKEL SILVER)
2. CONNECTOR - PRESS FIT:
 - PLASTIC HOUSING: LCP FLAMMABILITY RATING UL94-V0
 - CONTACTS: PHOSPHOR BRONZE
3. LIGHT PIPE: CLEAR POLYCARBONATE, FLAMMABILITY RATING UL 94-V0
4. PACKAGING: TRAY PACKAGING
5. TEMPERATURE RANGE: -40°C TO +85°C
6. EMI GASKET: CONDUCTIVE ELASTOMER UL94-V0



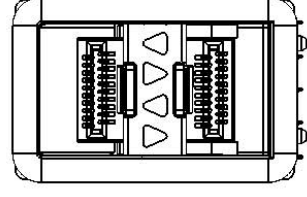
NO LIGHT PIPE
UE86-3G1420-00X61



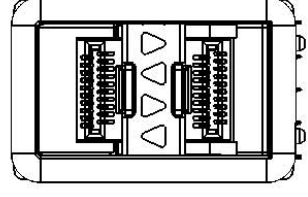
2 OUTER LIGHT PIPES
UE86-3G1420-30X61



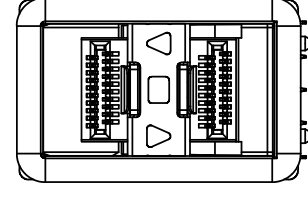
2 OUTER LIGHT PIPES UPSIDE DOWN
UE86-3G1420-60X61



4 LIGHT PIPES
UE86-3G1420-10X61



4 LIGHT PIPES UPSIDE DOWN
UE86-3G1420-40X61



3 LIGHT PIPES
UE86-3G1420-70X61

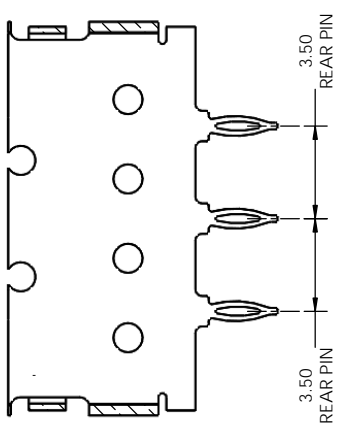
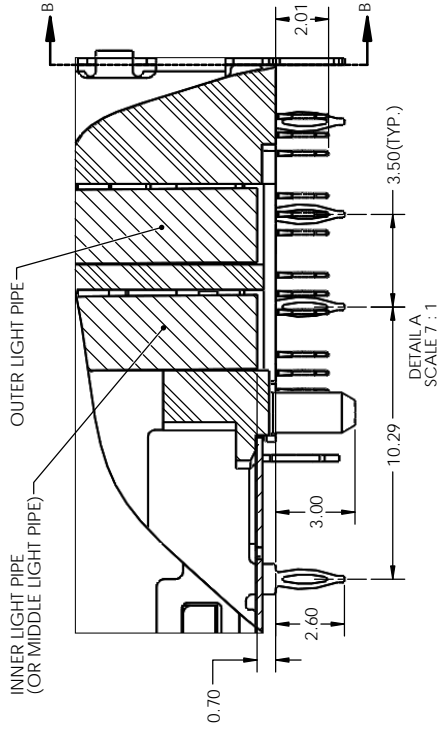
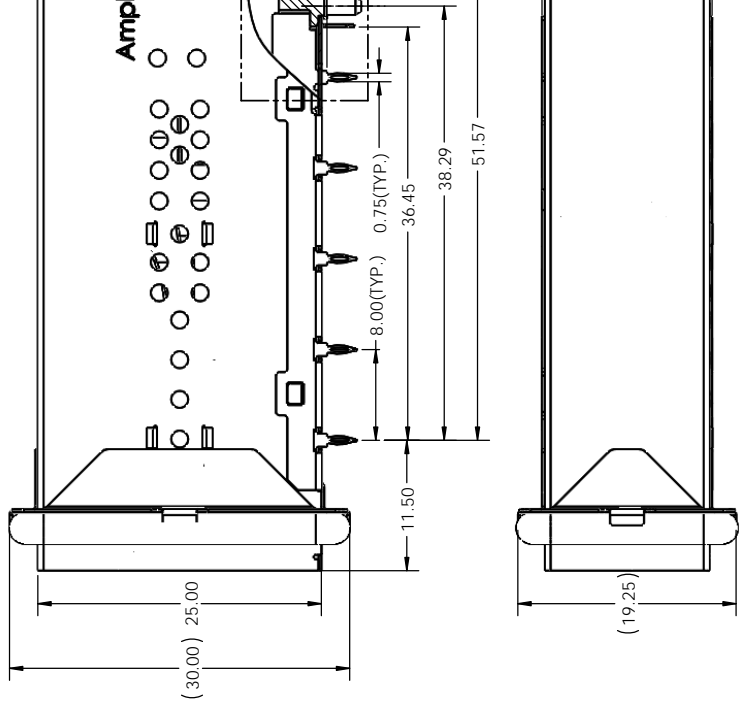
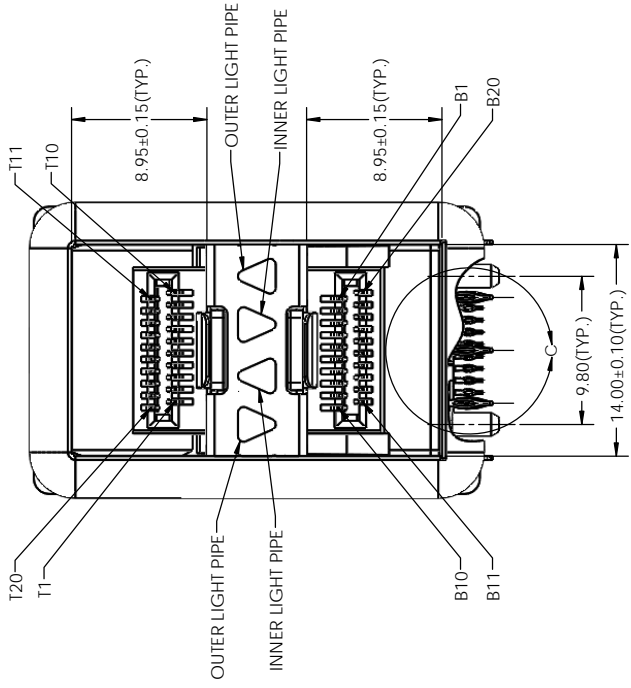
UNLESS SPECIFIED OTHERWISE	DRAWN	P. OU	NOV 03/15
DIMENSIONS ARE IN MILLIMETERS	CHECKED	J. SJ	NOV 03/15
REFERENCE IN PARENTHESES	M.E. APPD		
GENERAL TOLERANCES	G.A. APPD		
1 DECIMAL PLACE	DWG APPD	J. SJ	NOV03/15
2 DECIMAL PLACE	MATERIAL AND FINISH		SEE NOTES
3 DECIMAL PLACE	REF.		ECN EXXXX
ANGULAR DEGREES	DWG.		
ENG. REL. NO.	THIRD ANGLE PROJECTION		



DO NOT SCALE DRAWING

THIS DOCUMENT CONTAINS PROPRIETARY INFORMATION AND SUCH INFORMATION MAY NOT BE DISCLOSED TO OTHERS FOR ANY PURPOSE OR USED FOR MANUFACTURING PURPOSES WITHOUT WRITTEN PERMISSION FROM AMPHENOL CANADA CORP.

REV.	ECN
D	
E	
F	

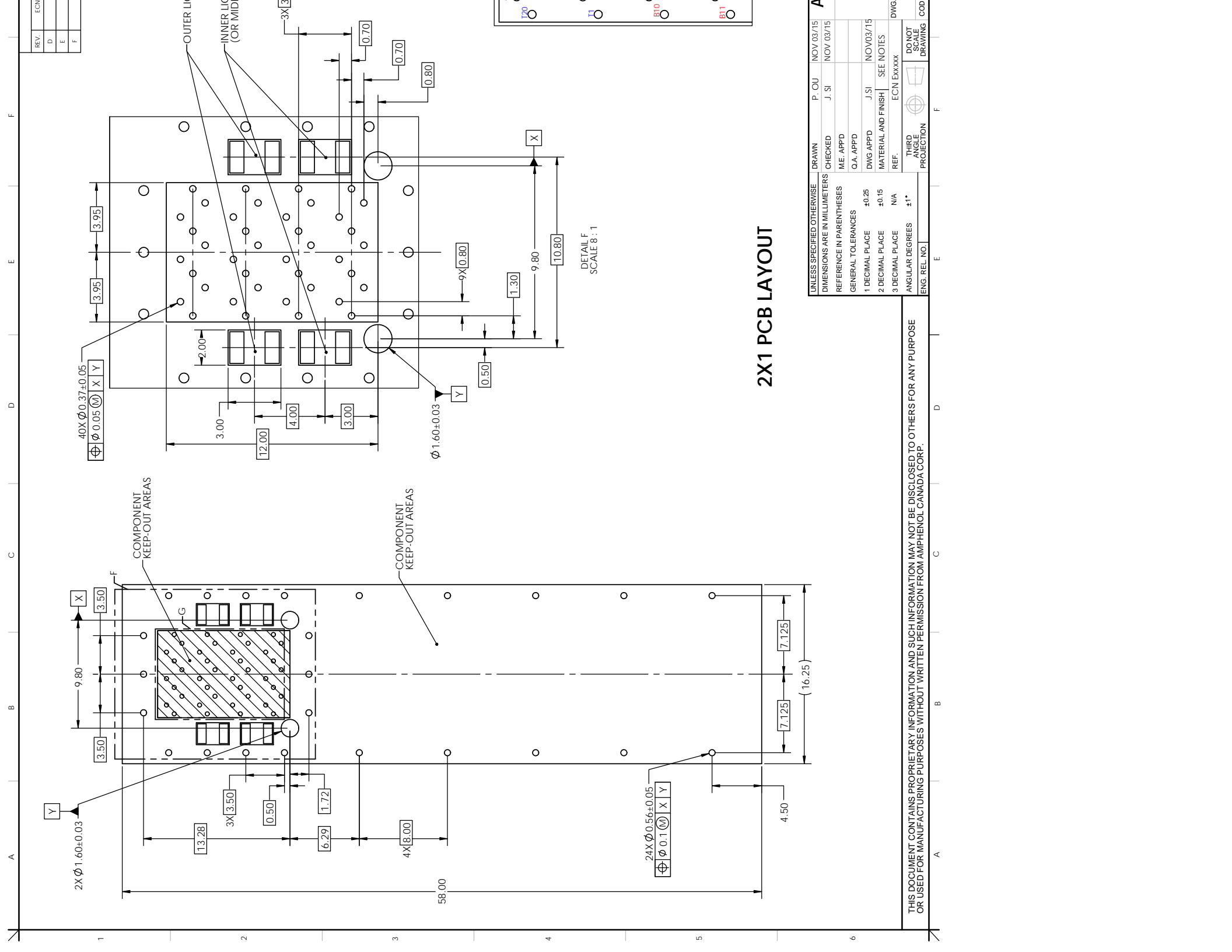


SECTION B-B
SCALE 7 : 1

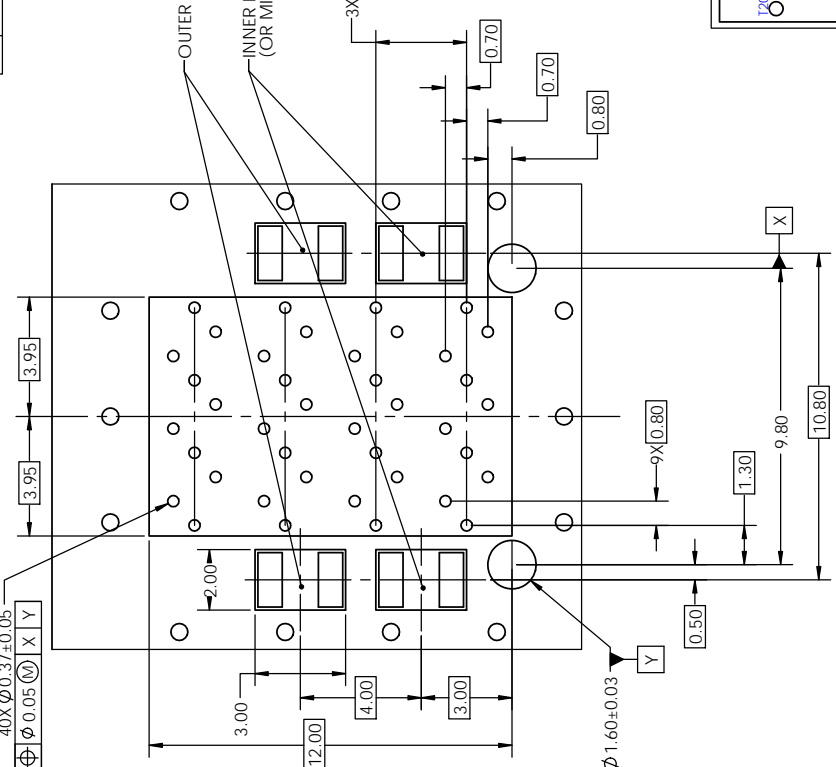
DETAIL A
SCALE 7 : 1

UNLESS SPECIFIED OTHERWISE		DRAWN	P. OU	NOV 03/15	A
DIMENSIONS ARE IN MILLIMETERS		CHECKED	J. SJ	NOV 03/15	
REFERENCE IN PARENTHESES		M.E. APPD			
GENERAL TOLERANCES		G.A. APPD			
1 DECIMAL PLACE	±0.25	DWG APPD	J. SJ	NOV03/15	
2 DECIMAL PLACE	±0.15	MATERIAL AND FINISH	SEE NOTES		
3 DECIMAL PLACE	N/A	REF.	ECN EXXXX	DWG.	
ANGULAR DEGREES	±1°	THIRD ANGLE PROJECTION			
ENG. REL. NO.		DO NOT SCALE DRAWING			

THIS DOCUMENT CONTAINS PROPRIETARY INFORMATION AND SUCH INFORMATION MAY NOT BE DISCLOSED TO OTHERS FOR ANY PURPOSE OR USED FOR MANUFACTURING PURPOSES WITHOUT WRITTEN PERMISSION FROM AMPHENOL CANADA CORP.



REV.	ECN
D	
E	
F	



DETAIL F
SCALE 8 : 1

2X1 PCB LAYOUT

UNLESS SPECIFIED OTHERWISE		DRAWN	P. OU	NOV 03/15
DIMENSIONS ARE IN MILLIMETERS		CHECKED	J. SJ	NOV 03/15
REFERENCE IN PARENTHESES		M.E. APPD		
GENERAL TOLERANCES		G.A. APPD		
1 DECIMAL PLACE	±0.25	DWG APPD	J. SJ	NOV03/15
2 DECIMAL PLACE	±0.15	MATERIAL AND FINISH	SEE NOTES	
3 DECIMAL PLACE	N/A	REF.	ECN EXXXXX	DWG.
ANGULAR DEGREES	±1°	THIRD ANGLE PROJECTION		
ENG. REL. NO.		DO NOT SCALE DRAWING		

THIS DOCUMENT CONTAINS PROPRIETARY INFORMATION AND SUCH INFORMATION MAY NOT BE DISCLOSED TO OTHERS FOR ANY PURPOSE OR USED FOR MANUFACTURING PURPOSES WITHOUT WRITTEN PERMISSION FROM AMPHENOL CANADA CORP.

Looking for pricing, stock, or lifecycle information?

Click below to explore more details on WIN SOURCE:

- ⊖ [View UE86-3G1420-00361 on WIN SOURCE](#)
- ⊖ [Amphenol Commercial Products Information](#)

Optimize Your Supply Chain with WIN SOURCE Solutions

- ✓ Global Sourcing Solution
- ✓ Obsolete Management
- ✓ Cost Control Management
- ✓ Shortage Management
- ✓ Alternative Solution
- ✓ Excess Inventory Management