



**THE DATASHEET OF
NCV571SN12T1G**



NCP571, NCV571

150 mA CMOS Low Iq Low Output Voltage Regulator

The NCP571 series of fixed output low dropout linear regulators are designed for handheld communication equipment and portable battery powered applications which require low quiescent current. The NCP571 series features an ultra-low quiescent current of 4.0 μ A. Each device contains a voltage reference unit, an error amplifier, a PMOS power transistor, resistors for setting output voltage, current limit, and temperature limit protection circuits.

The NCP571 has been designed to be used with low cost ceramic capacitors and requires a minimum output capacitor of 0.1 μ F. The device is housed in the TSOP-5 or DFN6 surface mount package. Standard voltage versions are 0.8 V, 0.9 V, 1.0 V and 1.2 V.

Features

- Low Quiescent Current of 4.0 μ A Typical
- Maximum Operating Voltage of 12 V
- Low Output Voltage Option down to 0.8 V
- High Accuracy Output Voltage of 3.0%
- Industrial Temperature Range of -40°C to $+85^{\circ}\text{C}$ (NCV571, $T_A = -40^{\circ}\text{C}$ to $+125^{\circ}\text{C}$)
- NCV Prefix for Automotive and Other Applications Requiring Unique Site and Control Change Requirements; AEC-Q100 Qualified and PPAP Capable
- These are Pb-Free Devices

Typical Applications

- Battery Powered Instruments
- Hand-Held Instruments
- Camcorders and Cameras

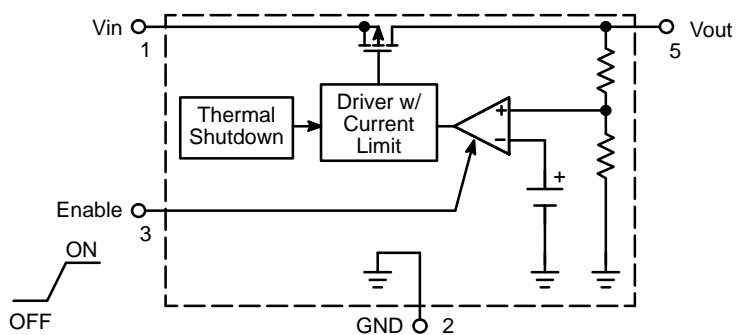


Figure 1. Representative Block Diagram

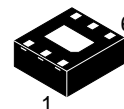


ON Semiconductor®

<http://onsemi.com>

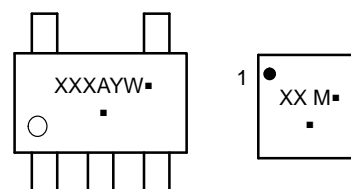


TSOP-5
SN SUFFIX
CASE 483



DFN6
MN SUFFIX
CASE 506BA

MARKING DIAGRAMS



XXX = Specific Device Code
A = Assembly Location
Y = Year
W = Work Week
M = Date Code
▪ = Pb-Free Package

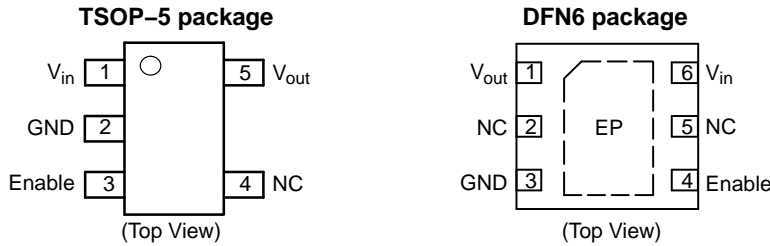
(Note: Microdot may be in either location)

ORDERING INFORMATION

See detailed ordering and shipping information in the package dimensions section on page 9 of this data sheet.

NCP571, NCV571

PIN CONNECTIONS



PIN FUNCTION DESCRIPTION

| DFN6 | TSOP-5 | Pin Name | Description |
|------|--------|-----------|--|
| 1 | 5 | V_{out} | Regulated output voltage. |
| 2 | 4 | NC | No Internal Connection. It is recommended to connect this pin to GND potential. |
| 3 | 2 | GND | Power supply ground. |
| 4 | 3 | Enable | This input is used to place the device into low-power standby. When this input is pulled low, the device is disabled. If this function is not used, Enable pin should be connected to V_{in} . |
| 5 | – | NC | No Internal Connection. It is recommended to connect this pin to GND potential. |
| 6 | 1 | V_{in} | Positive power supply input voltage. |
| EP | – | EP | No Internal Connection. It is recommended to connect this pin to GND potential. |

MAXIMUM RATINGS

| Rating | Symbol | Value | Unit |
|---|-------------|---------------------------|------|
| Input Voltage | V_{in} | 0 to 12 | V |
| Enable Voltage | V_{EN} | -0.3 to $V_{in} + 0.3$ | V |
| Output Voltage | V_{out} | -0.3 to $V_{in} + 0.3$ | V |
| Power Dissipation | P_D | Internally Limited | W |
| Operating Junction Temperature | T_J | +150 | °C |
| Operating Ambient Temperature | T_A | -40 to +85 -40 to +125 | °C |
| Storage Temperature | T_{stg} | -55 to +150 | °C |
| ESD Capability, Human Body Model (Note 1) | ESD_{HBM} | 2000 | V |
| ESD Capability, Machine Mode (Note 1) | ESD_{MM} | 200 | V |
| ESD Capability, Charged Device Model (Note 1) | ESD_{CDM} | 1000 | V |

Stresses exceeding Maximum Ratings may damage the device. Maximum Ratings are stress ratings only. Functional operation above the Recommended Operating Conditions is not implied. Extended exposure to stresses above the Recommended Operating Conditions may affect device reliability.

- This device series contains ESD protection and exceeds the following tests:
 ESD Human Body Model tested per AEC-Q100-002 (EIA/JESD22-A114)
 ESD Machine Model tested per AEC-Q100-003 (EIA/JESD22-A115)
 ESD Charged Device Model tested per EIA/JES D22/C101, Field Induced Charge Model (Jedec Standard)
- Latchup capability (85°C) \pm 100 mA DC with trigger voltage.

THERMAL CHARACTERISTICS

| Rating | Symbol | Test Conditions | Typical Value | Unit |
|---------------------|-----------------|--|---------------|------|
| Junction-to-Ambient | $R_{\theta JA}$ | 1 oz Copper Thickness, 100 mm ² | 250 | °C/W |
| PSIJ-Lead 2 | Ψ_{J-L2} | 1 oz Copper Thickness, 100 mm ² | 68 | °C/W |
| Junction-to-Ambient | $R_{\theta JA}$ | 1 oz Copper Thickness, 100 mm ² | 190 | °C/W |
| PSIJ-Lead 2 | Ψ_{J-L2} | 1 oz Copper Thickness, 100 mm ² | 84 | °C/W |

NOTE: Single component mounted on an 80 x 80 x 1.5 mm FR4 PCB with stated copper head spreading area. Using the following boundary conditions as stated in EIA/JESD 51-1, 2, 3, 7, 12.

NCP571, NCV571

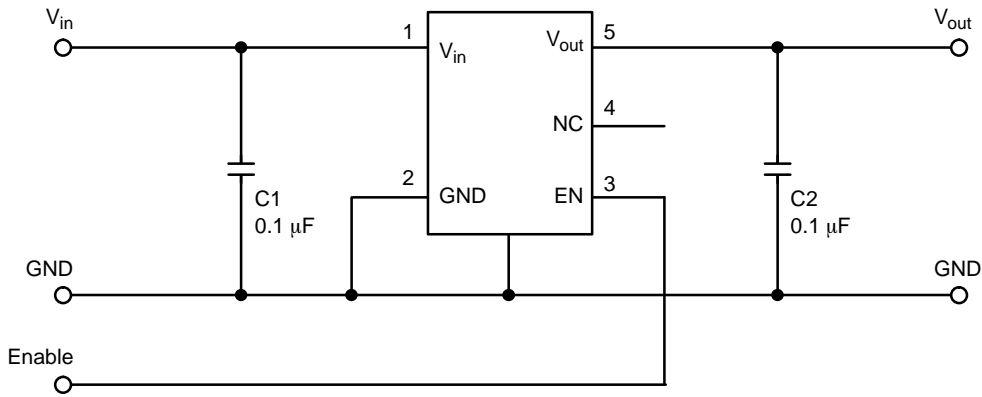


Figure 2. Typical Application Schematic for TSOP-5 Package

ELECTRICAL CHARACTERISTICS

($V_{in} = V_{out(nom)} + 1.0\text{ V}$, $V_{EN} = V_{in}$, $C_{in} = 1.0\ \mu\text{F}$, $C_{out} = 1.0\ \mu\text{F}$, $T_A = 25^\circ\text{C}$, unless otherwise noted)

| Characteristic | Symbol | Min | Typ | Max | Unit |
|--|--------------------|--|--------------------------|--|-----------------------|
| Output Voltage ($T_A = 25^\circ\text{C}$, $I_{out} = 10\text{ mA}$) 0.8 V 0.9 V 1.0 V 1.2 V | V_{out} | - 3% 0.776 0.873 0.970 1.164 | 0.8 0.9 1.0 1.2 | + 3% 0.824 0.927 1.030 1.236 | V |
| Output Voltage ($T_A = -40^\circ\text{C}$ to $+85^\circ\text{C}$ for NCP571 or $T_A = -40^\circ\text{C}$ to $+125^\circ\text{C}$ for NCV571, $I_{out} = 10\text{ mA}$) (Note 5) 0.8 V 0.9 V 1.0 V 1.2 V | V_{out} | - 4% 0.768 0.864 0.960 1.152 | 0.8 0.9 1.0 1.2 | + 4% 0.832 0.936 1.040 1.248 | V |
| Line Regulation ($V_{in} = V_{out} + 1.0\text{ V}$ to 12 V , $I_{out} = 10\text{ mA}$) | Reg_{line} | - | 10 | 30 | mV |
| Load Regulation ($I_{out} = 10\text{ mA}$ to 150 mA , $V_{in} = V_{out} + 2.0\text{ V}$) | Reg_{load} | - | 40 | 65 | mV |
| Output Current ($V_{out} = (V_{out} \text{ at } I_{out} = 100\text{ mA}) - 3\%$) 0.8 V ($V_{in} = 3.0\text{ V}$) 0.9 V ($V_{in} = 3.0\text{ V}$) 1.0 V ($V_{in} = 3.0\text{ V}$) 1.2 V ($V_{in} = 3.0\text{ V}$) | $I_{o(nom)}$ | 150 150 150 150 | - - - - | - - - - | mA |
| Dropout Voltage ($I_{out} = 10\text{ mA}$, Measured at $V_{out} - 3.0\%$) 0.8 V 0.9 V 1.0 V 1.2 V | $V_{in} - V_{out}$ | - - - - | 730 650 550 350 | 850 750 650 450 | mV |
| Quiescent Current (Enable Input = 0 V) (Enable Input = $V_{in} = 3\text{ V}$, $I_{out} = 1.0\text{ mA}$ to 150 mA and $V_{in} = \text{Enable Input} = 3\text{ V}$, $I_{out} = 150\text{ mA}$) | I_Q | - - | 0.1 4.0 | 1.0 8.0 | μA |
| Output Voltage Temperature Coefficient | T_c | - | 100 | - | ppm/ $^\circ\text{C}$ |
| Enable Input Threshold Voltage (Voltage Increasing, Output Turns On, Logic High) (Voltage Decreasing, Output Turns Off, Logic Low) | $V_{th(en)}$ | 1.3 - | - - | - 0.3 | V |
| Output Short Circuit Current ($V_{out} = 0\text{ V}$) (Note 4) 0.8 V ($V_{in} = 3.0\text{ V}$) 0.9 V ($V_{in} = 3.0\text{ V}$) 1.0 V ($V_{in} = 3.0\text{ V}$) 1.2 V ($V_{in} = 3.0\text{ V}$) | $I_{out(max)}$ | 160 160 160 160 | 260 260 260 260 | 600 600 600 600 | mA |

3. Maximum package power dissipation limits must be observed.

$$P_D = \frac{T_{J(max)} - T_A}{R_{\theta JA}}$$

4. Low duty cycle pulse techniques are used during testing to maintain the junction temperature as close to ambient as possible.

NCP571, NCV571

5. NCP571 $T_{low} = -40^{\circ}C$ $T_{high} = +85^{\circ}C$
 NCV571 $T_{low} = -40^{\circ}C$ $T_{high} = +125^{\circ}C$.

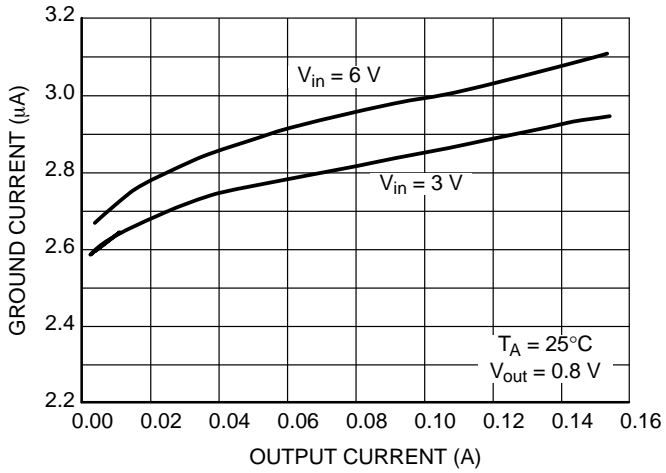


Figure 3. Ground Pin Current vs. Output Current

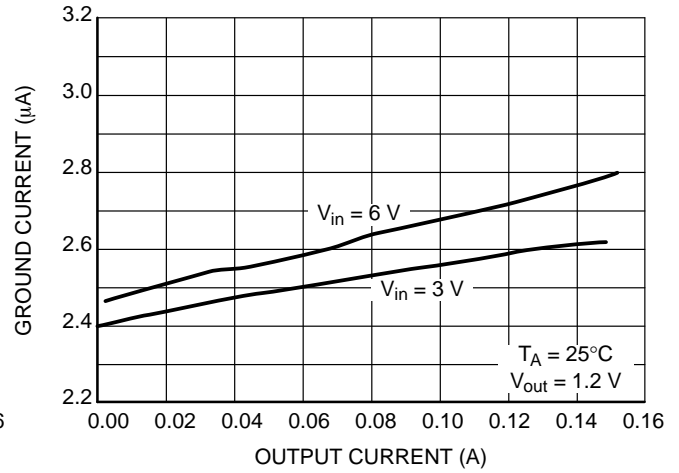


Figure 4. Ground Pin Current vs. Output Current

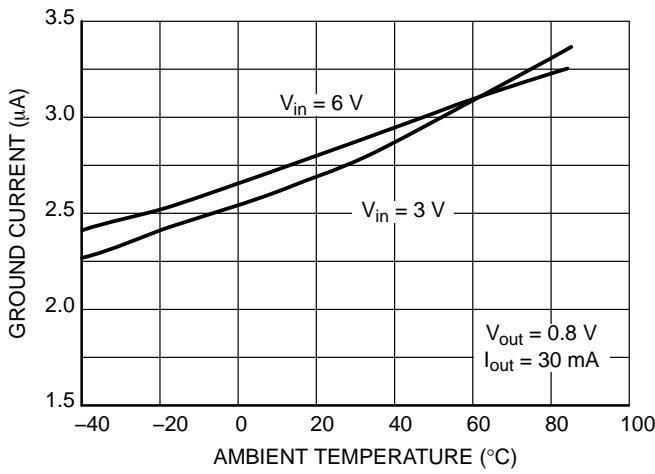


Figure 5. Ground Pin Current vs. Temperature

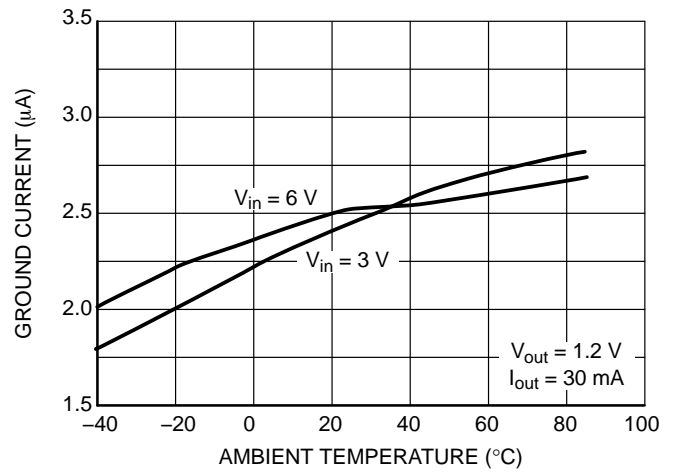


Figure 6. Ground Pin Current vs. Temperature

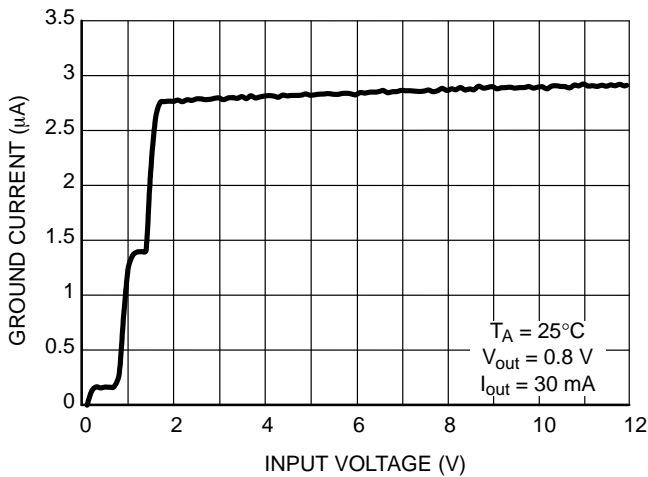


Figure 7. Ground Pin Current vs. Input Voltage

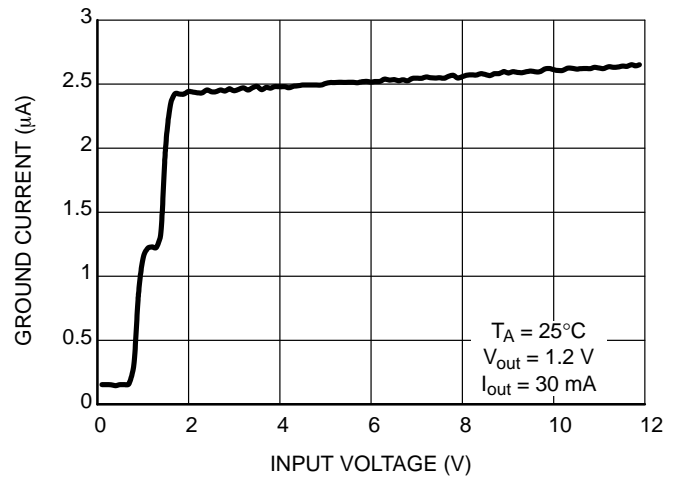


Figure 8. Ground Pin Current vs. Input Voltage

NCP571, NCV571

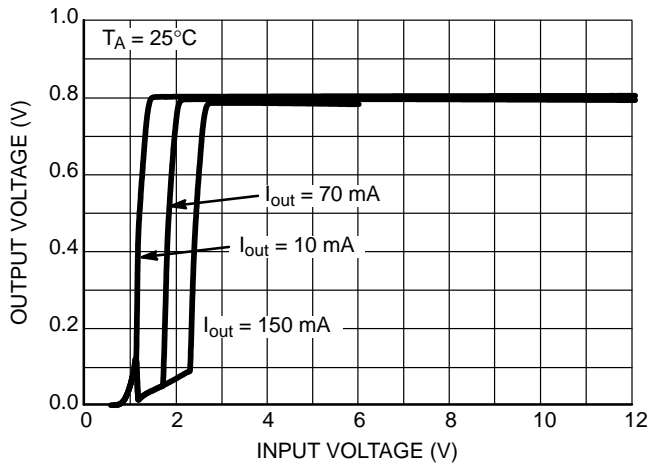


Figure 9. Output Voltage vs. Input Voltage

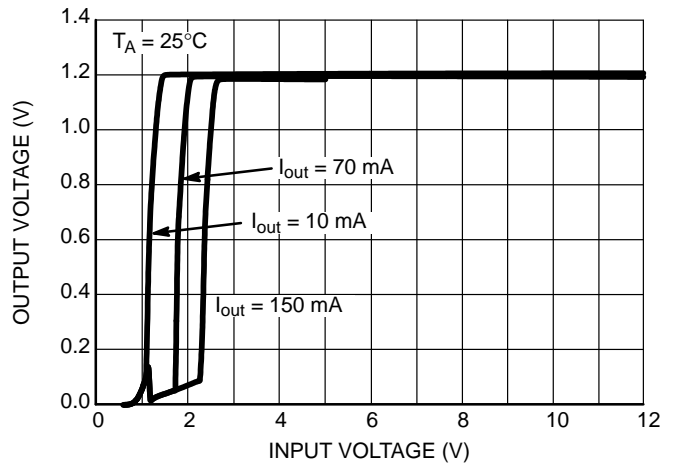


Figure 10. Output Voltage vs. Input Voltage

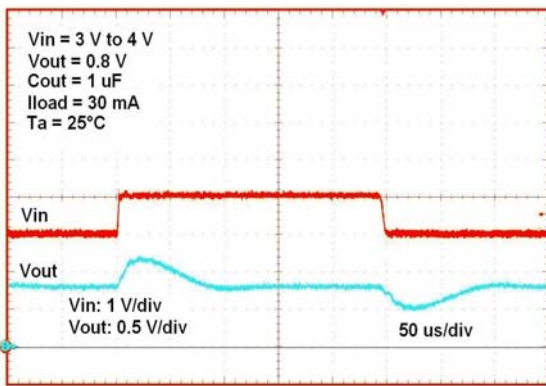


Figure 11. Line Transient Response

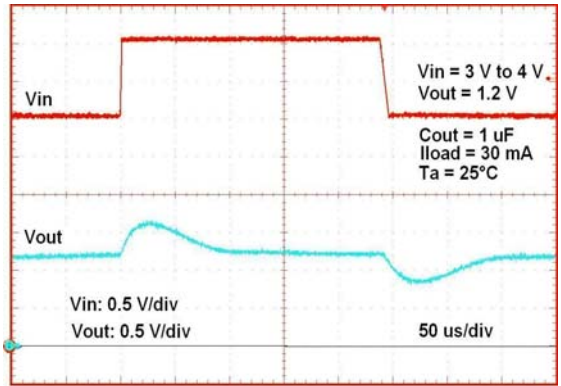


Figure 12. Line Transient Response

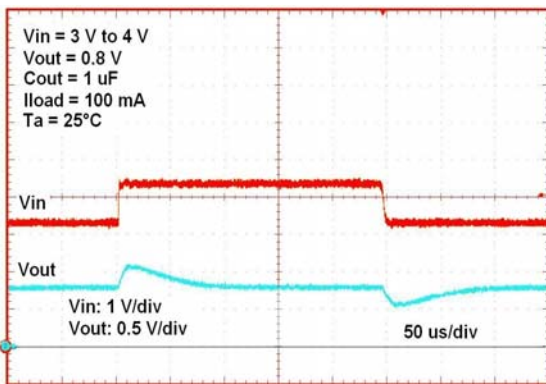


Figure 13. Line Transient Response

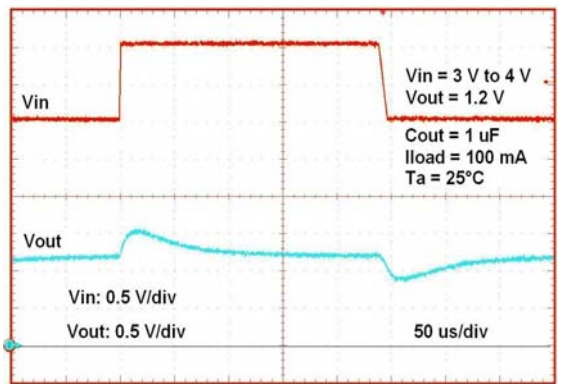


Figure 14. Line Transient Response

NCP571, NCV571

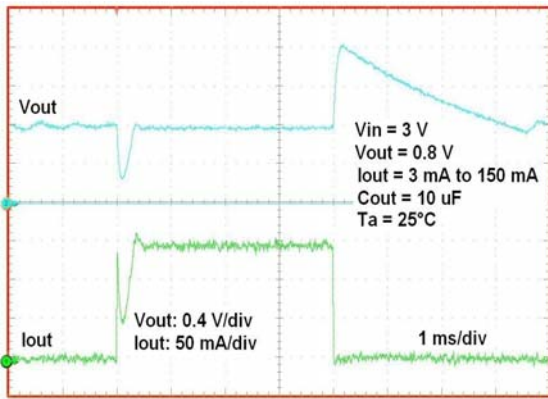


Figure 15. Load Transient Response

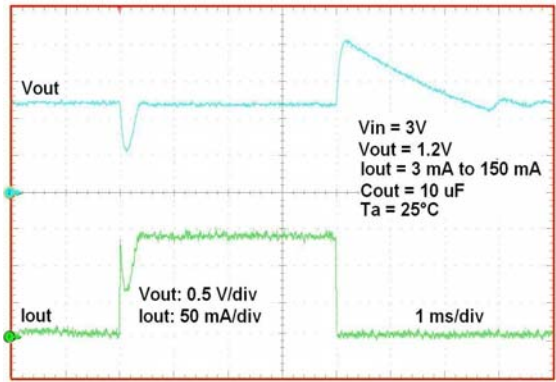


Figure 16. Load Transient Response

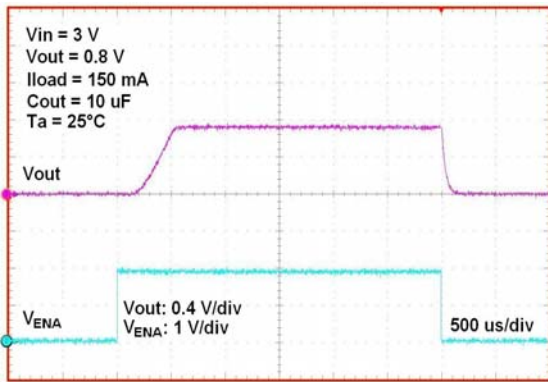


Figure 17. Enable Operation

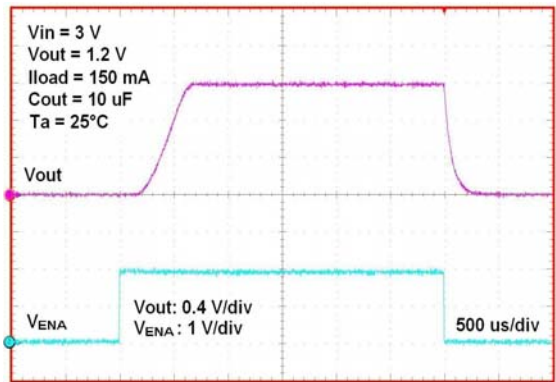


Figure 18. Enable Operation

NCP571, NCV571

APPLICATIONS INFORMATION

A typical application circuit for the NCP571 series is shown in Figure 2.

Input Decoupling (C1)

A 0.1 μF capacitor either ceramic or tantalum is recommended and should be connected close to the NCP571 package. Higher values and lower ESR will improve the overall line transient response.

Output Decoupling (C2)

The NCP571 is a stable Regulator and does not require any specific Equivalent Series Resistance (ESR) or a minimum output current. Capacitors exhibiting ESRs ranging from a few $\text{m}\Omega$ up to 3.0Ω can thus safely be used. The minimum decoupling value is 0.1 μF and can be augmented to fulfill stringent load transient requirements. The regulator accepts ceramic chip capacitors as well as tantalum devices. Larger output capacitors can be used

without fear of instabilities. Larger values improve noise rejection and load regulation transient response.

Enable Operation

The enable pin will turn on or off the regulator. These limits of threshold are covered in the electrical specification section of this data sheet. If the enable is not used then the pin should be connected to V_{in} . It is not recommended to leave this pin on air. In case the voltage of Enable signal is higher than Input voltage of NCP571 device it is necessary add an resistor divider in order to keep voltage at Enable pin below Input voltage. A single gate device of VHC family could be used for this logic level translation. The NL17SZ06 device could be chosen for non inverting open-drain buffer as shown in Figure 19. Other possibility is using NL17SZ16 device as shown in Figure 20. More information is mentioned in Application Note AND8101/D.

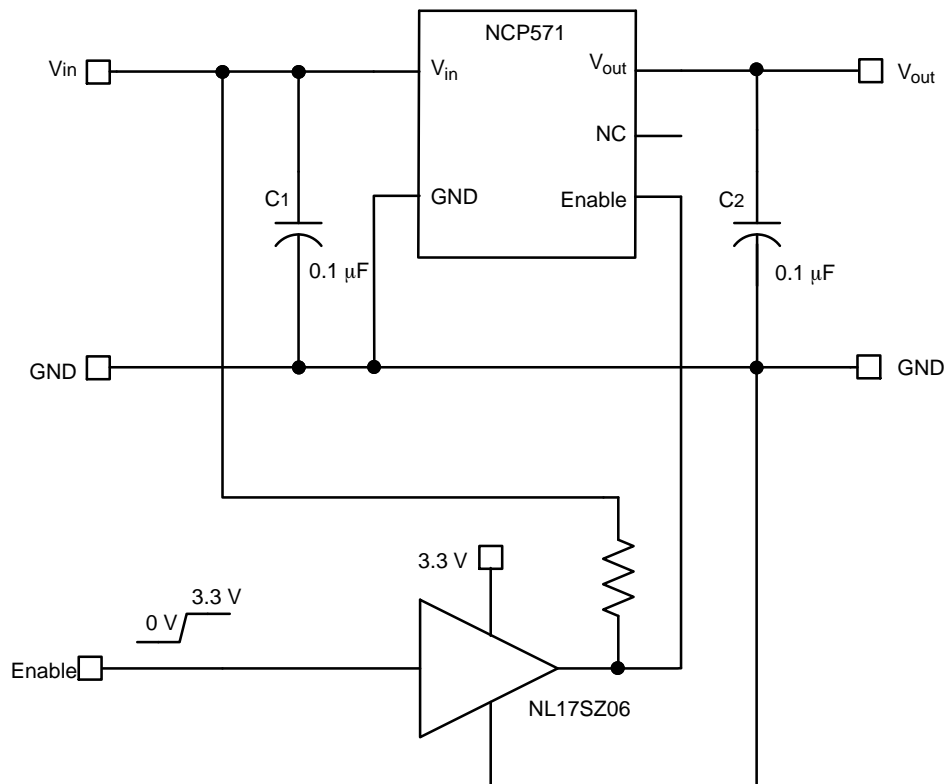


Figure 19.

NCP571, NCV571

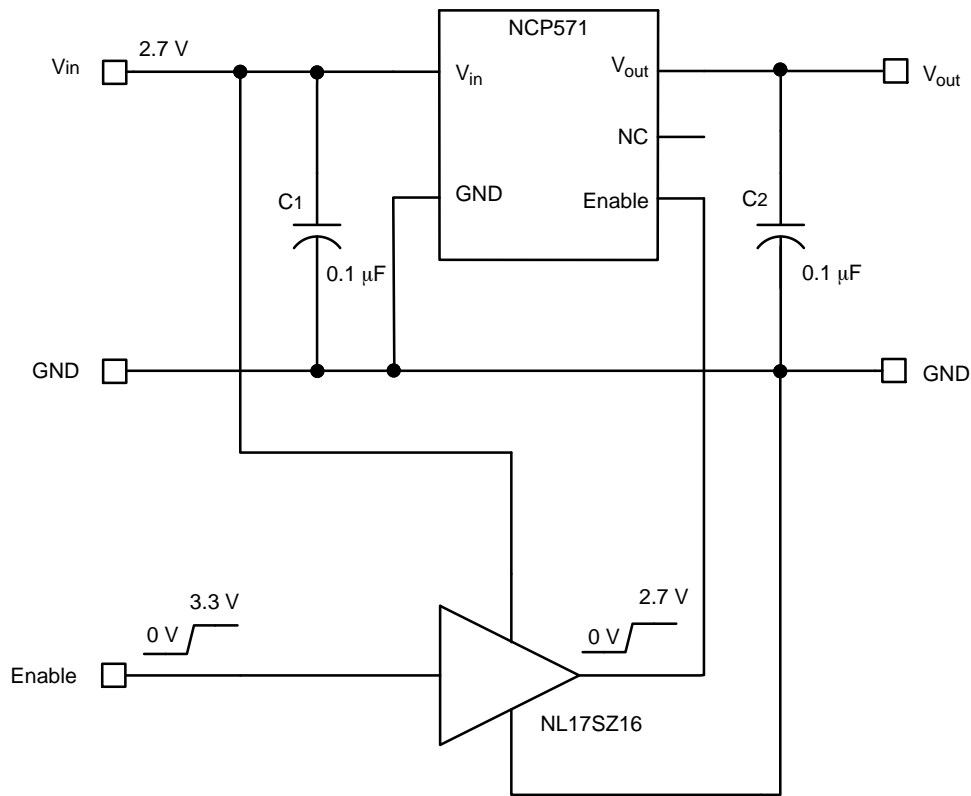


Figure 20.

Hints

Please be sure the V_{in} and GND lines are sufficiently wide. When the impedance of these lines is high, there is a chance to pick up noise or cause the regulator to malfunction.

Set external components, especially the output capacitor, as close as possible to the circuit, and make leads as short as possible.

Thermal

As power across the NCP571 increases, it might become necessary to provide some thermal relief. The maximum power dissipation supported by the device is dependent upon board design and layout. Mounting pad configuration on the PCB, the board material, and also the ambient temperature effect the rate of temperature rise for the part. This is stating that when the NCP571 has good thermal

conductivity through the PCB, the junction temperature will be relatively low with high power dissipation applications.

The maximum dissipation the package can handle is given by:

$$P_D = \frac{T_{J(max)} - T_A}{R_{\theta JA}}$$

If junction temperature is not allowed above the maximum 125°C, then the NCP571 can dissipate up to 400 mW @ 25°C.

The power dissipated by the NCP571 can be calculated from the following equation:

$$P_{tot} = V_{in(max)}(I_{GND} + I_{out}) - V_{out} * I_{out}$$

If a 150 mA output current is needed then the ground current from the data sheet is 4.0 μA.

NCP571, NCV571

ORDERING INFORMATION

| Device | Nominal Output Voltage | Marking | Package | Shipping [†] |
|----------------|------------------------|---------|---------------------|-----------------------|
| NCP571SN08T1G | 0.8 | N6A | TSOP-5 (Pb-Free) | 3000 / Tape & Reel |
| NCP571SN09T1G | 0.9 | N6E | TSOP-5 (Pb-Free) | 3000 / Tape & Reel |
| NCP571SN10T1G | 1.0 | N6C | TSOP-5 (Pb-Free) | 3000 / Tape & Reel |
| NCP571SN12T1G | 1.2 | N6D | TSOP-5 (Pb-Free) | 3000 / Tape & Reel |
| NCV571SN08T1G* | 0.8 | N6F | TSOP-5 (Pb-Free) | 3000 / Tape & Reel |
| NCV571SN09T1G* | 0.9 | N6G | TSOP-5 (Pb-Free) | 3000 / Tape & Reel |
| NCV571SN10T1G* | 1.0 | N6H | TSOP-5 (Pb-Free) | 3000 / Tape & Reel |
| NCV571SN12T1G* | 1.2 | N6J | TSOP-5 (Pb-Free) | 3000 / Tape & Reel |
| NCP571MN08TBG | 0.8 | AC | DFN6 (Pb-Free) | 3000 / Tape & Reel |
| NCP571MN09TBG | 0.9 | AD | DFN6 (Pb-Free) | 3000 / Tape & Reel |
| NCP571MN10TBG | 1.0 | AE | DFN6 (Pb-Free) | 3000 / Tape & Reel |
| NCP571MN12TBG | 1.2 | AA | DFN6 (Pb-Free) | 3000 / Tape & Reel |
| NCV571MN08TBG* | 0.8 | AF | DFN6 (Pb-Free) | 3000 / Tape & Reel |
| NCV571MN09TBG* | 0.9 | AG | DFN6 (Pb-Free) | 3000 / Tape & Reel |
| NCV571MN10TBG* | 1.0 | AH | DFN6 (Pb-Free) | 3000 / Tape & Reel |
| NCV571MN12TBG* | 1.2 | AJ | DFN6 (Pb-Free) | 3000 / Tape & Reel |

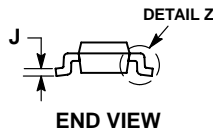
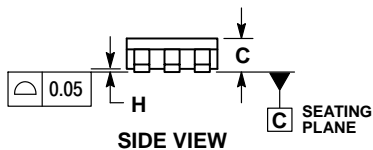
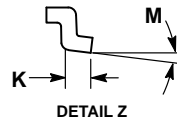
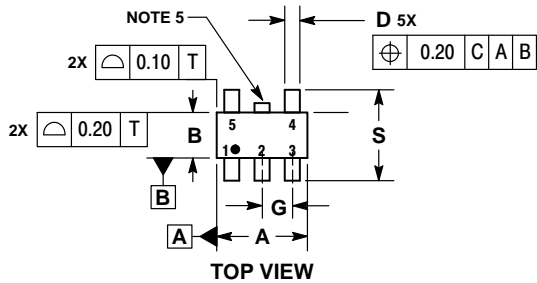
[†]For information on tape and reel specifications, including part orientation and tape sizes, please refer to our Tape and Reel Packaging Specifications Brochure, BRD8011/D.

*NCV Prefix for Automotive and Other Applications Requiring Unique Site and Control Change Requirements; AEC-Q100 Qualified and PPAP Capable.

NCP571, NCV571

PACKAGE DIMENSIONS

TSOP-5 CASE 483-02 ISSUE K

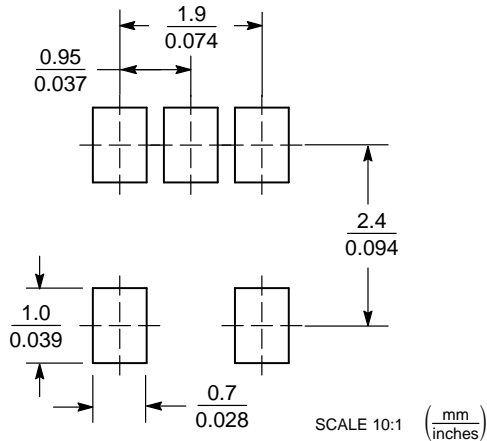


NOTES:

1. DIMENSIONING AND TOLERANCING PER ASME Y14.5M, 1994.
2. CONTROLLING DIMENSION: MILLIMETERS.
3. MAXIMUM LEAD THICKNESS INCLUDES LEAD FINISH THICKNESS. MINIMUM LEAD THICKNESS IS THE MINIMUM THICKNESS OF BASE MATERIAL.
4. DIMENSIONS A AND B DO NOT INCLUDE MOLD FLASH, PROTRUSIONS, OR GATE BURRS. MOLD FLASH, PROTRUSIONS, OR GATE BURRS SHALL NOT EXCEED 0.15 PER SIDE. DIMENSION A.
5. OPTIONAL CONSTRUCTION: AN ADDITIONAL TRIMMED LEAD IS ALLOWED IN THIS LOCATION. TRIMMED LEAD NOT TO EXTEND MORE THAN 0.2 FROM BODY.

| DIM | MILLIMETERS | |
|-----|-------------|------|
| | MIN | MAX |
| A | 3.00 BSC | |
| B | 1.50 BSC | |
| C | 0.90 | 1.10 |
| D | 0.25 | 0.50 |
| G | 0.95 BSC | |
| H | 0.01 | 0.10 |
| J | 0.10 | 0.26 |
| K | 0.20 | 0.60 |
| M | 0° 10° | |
| S | 2.50 | 3.00 |

SOLDERING FOOTPRINT*

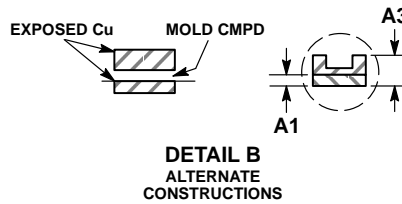
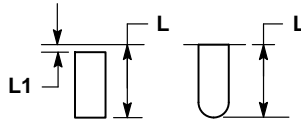
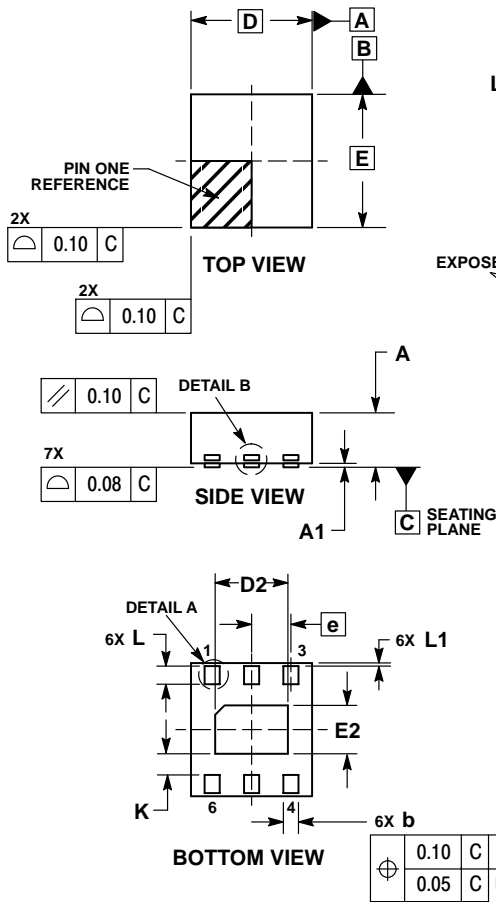


*For additional information on our Pb-Free strategy and soldering details, please download the ON Semiconductor Soldering and Mounting Techniques Reference Manual, SOLDERRM/D.

NCP571, NCV571

PACKAGE DIMENSIONS

DFN6, 2x2.2, 0.65P
CASE 506BA
ISSUE A

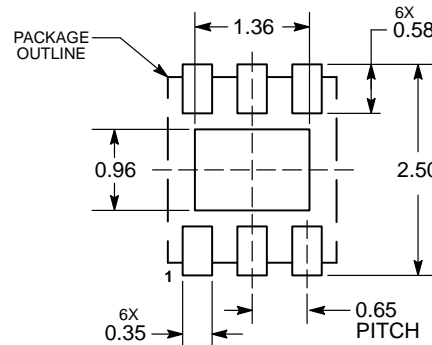


NOTES:

1. DIMENSIONING AND TOLERANCING PER ASME Y14.5M, 1994.
2. CONTROLLING DIMENSION: MILLIMETERS.
3. DIMENSION b APPLIES TO PLATED TERMINAL AND IS MEASURED BETWEEN 0.15 AND 0.20 mm FROM TERMINAL.
4. COPLANARITY APPLIES TO THE EXPOSED PAD AS WELL AS THE TERMINALS.

| MILLIMETERS | | |
|-------------|----------|------|
| DIM | MIN | MAX |
| A | 0.80 | 1.00 |
| A1 | 0.00 | 0.05 |
| b | 0.20 | 0.30 |
| D | 2.00 BSC | |
| D2 | 1.10 | 1.30 |
| E | 2.20 BSC | |
| E2 | 0.70 | 0.90 |
| e | 0.65 BSC | |
| K | 0.20 | --- |
| L | 0.25 | 0.35 |
| L1 | 0.00 | 0.10 |

SOLDERING FOOTPRINT*



DIMENSIONS: MILLIMETERS

*For additional information on our Pb-Free strategy and soldering details, please download the ON Semiconductor Soldering and Mounting Techniques Reference Manual, SOLDERRM/D.

ON Semiconductor and are registered trademarks of Semiconductor Components Industries, LLC (SCILLC). SCILLC owns the rights to a number of patents, trademarks, copyrights, trade secrets, and other intellectual property. A listing of SCILLC's product/patent coverage may be accessed at www.onsemi.com/site/pdf/Patent-Marking.pdf. SCILLC reserves the right to make changes without further notice to any products herein. SCILLC makes no warranty, representation or guarantee regarding the suitability of its products for any particular purpose, nor does SCILLC assume any liability arising out of the application or use of any product or circuit, and specifically disclaims any and all liability, including without limitation special, consequential or incidental damages. "Typical" parameters which may be provided in SCILLC data sheets and/or specifications can and do vary in different applications and actual performance may vary over time. All operating parameters, including "Typicals" must be validated for each customer application by customer's technical experts. SCILLC does not convey any license under its patent rights nor the rights of others. SCILLC products are not designed, intended, or authorized for use as components in systems intended for surgical implant into the body, or other applications intended to support or sustain life, or for any other application in which the failure of the SCILLC product could create a situation where personal injury or death may occur. Should Buyer purchase or use SCILLC products for any such unintended or unauthorized application, Buyer shall indemnify and hold SCILLC and its officers, employees, subsidiaries, affiliates, and distributors harmless against all claims, costs, damages, and expenses, and reasonable attorney fees arising out of, directly or indirectly, any claim of personal injury or death associated with such unintended or unauthorized use, even if such claim alleges that SCILLC was negligent regarding the design or manufacture of the part. SCILLC is an Equal Opportunity/Affirmative Action Employer. This literature is subject to all applicable copyright laws and is not for resale in any manner.

PUBLICATION ORDERING INFORMATION

LITERATURE FULFILLMENT:
 Literature Distribution Center for ON Semiconductor
 P.O. Box 5163, Denver, Colorado 80217 USA
Phone: 303-675-2175 or 800-344-3860 Toll Free USA/Canada
Fax: 303-675-2176 or 800-344-3867 Toll Free USA/Canada
Email: orderlit@onsemi.com

N. American Technical Support: 800-282-9855 Toll Free
 USA/Canada
Europe, Middle East and Africa Technical Support:
 Phone: 421 33 790 2910
Japan Customer Focus Center
 Phone: 81-3-5817-1050

ON Semiconductor Website: www.onsemi.com
Order Literature: <http://www.onsemi.com/orderlit>
 For additional information, please contact your local Sales Representative

Looking for pricing, stock, or lifecycle information?

Click below to explore more details on WIN SOURCE:

 [View NCV571SN12T1G on WIN SOURCE](#)

 [ON Semiconductor Information](#)

Optimize Your Supply Chain with WIN SOURCE Solutions

-  Global Sourcing Solution
-  Obsolete Management
-  Cost Control Management
-  Shortage Management
-  Alternative Solution
-  Excess Inventory Management