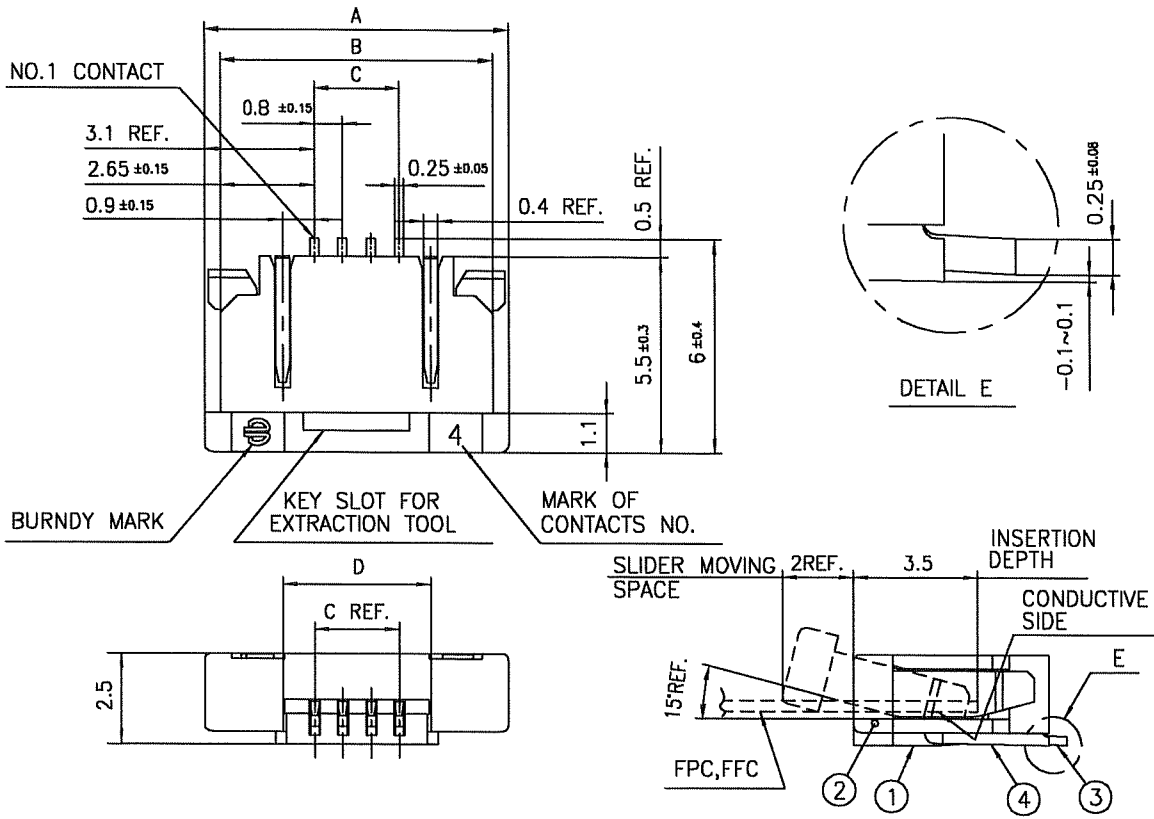




**THE DATASHEET OF
SFR30R-1STE1LF**

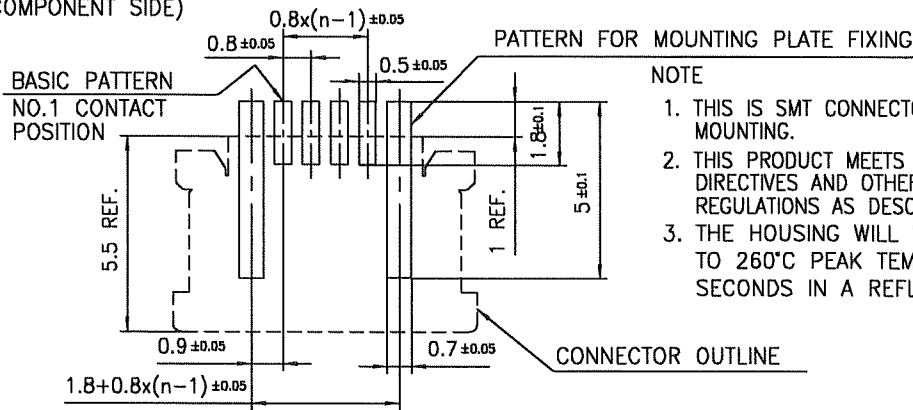




| PT. NO. | PARTS NAME | MATERIAL | Q'TY | NOTE |
|---------|----------------|---|------|----------------------------|
| 1 | HOUSING | PPS RESIN GLASS REINFORCED (UL94V-0) | 1 | COLOR:BLACK |
| 2 | SLIDER | | 1 | |
| 3 | CONTACT | PHOSPHOR BRONZE | n | PLATING:TIN (LEAD FREE) |
| 4 | MOUNTING PLATE | | 2 | |

n : NO. OF CONTACTS

RECOMMENDED PC BOARD LAYOUT
(COMPONENT SIDE)



NOTE

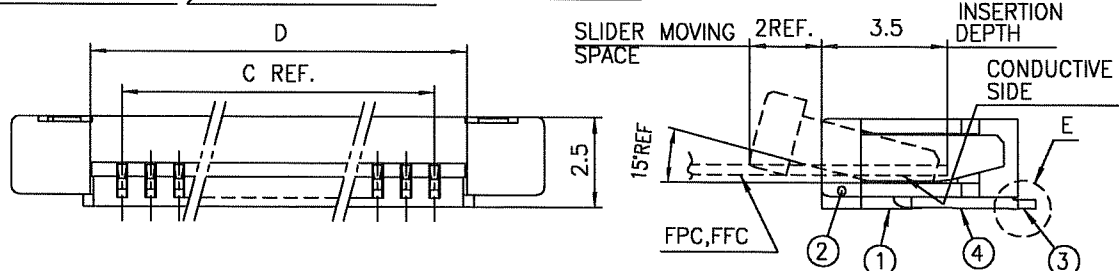
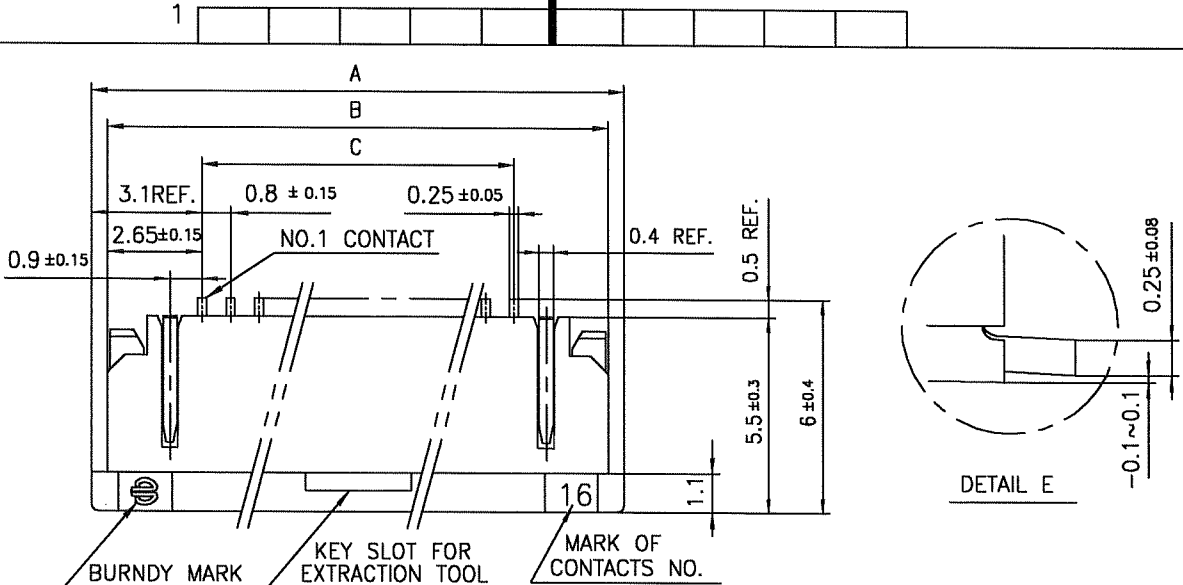
1. THIS IS SMT CONNECTOR FOR AUTOMATIC MOUNTING.
2. THIS PRODUCT MEETS EUROPEAN UNION DIRECTIVES AND OTHER COUNTRY REGULATIONS AS DESCRIBED IN GS-22-008.
3. THE HOUSING WILL WITHSTAND EXPOSURE TO 260°C PEAK TEMPERATURE FOR 10 SECONDS IN A REFLOW SOLDERING OVEN.

| | | | | | | | | |
|-------------|----------------|-----|----------|---------------------------------------|----------------------------------|----------------|--|------------|
| mat'l. code | | | | surface ISO 1302 | tolerance ISO 406 ISO 1101 | projection | product family 58BF | CODE JP |
| ltr | ecn no | dr | date | tolerances unless otherwise specified | | mm | title 0.8mm SPACING CONNECTOR (Cat. No. SFR4R-1ST__LF) | |
| A | J05-0280 | H.T | 5/12/05 | angles | linear | | dwg no JSA 96439 | |
| B | J05-0730 | H.T | 10/28/05 | | | | sheet 1 of 1 | size A4 |
| C | J06-0485 | H.T | 11/20/06 | dr | <i>H. Takahashi</i> 11/20/06 | | type Product Customer Drawing | |
| | | | | enr | <i>H. Takahashi</i> 11/20/06 | | | |
| | | | | chr | <i>R. Shoyu</i> 11/20/06 | | | |
| | | | | appd | <i>S. Mochizuki</i> 11/21/06 | | | |
| sheet index | revision sheet | C | 1 | | | | | Rev. C |



FCIconnect.com

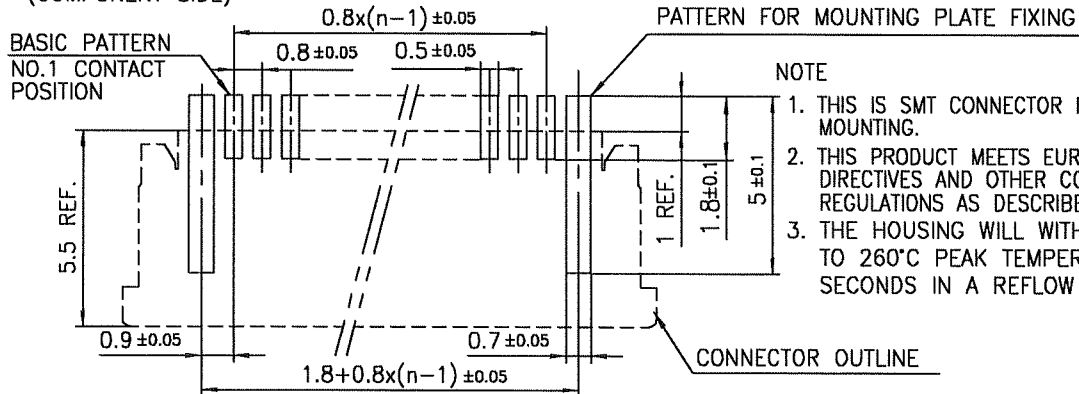
Copyright FCI.



| PT. NO. | PARTS NAME | MATERIAL | Q'TY | NOTE |
|---------|----------------|---|------|------------------------------|
| 1 | HOUSING | PPS RESIN GLASS REINFORCED (UL94V-0) | 1 | COLOR : BLACK |
| 2 | SLIDER | | 1 | |
| 3 | CONTACT | PHOSPHOR BRONZE | n | PLATING : TIN (LEAD FREE) |
| 4 | MOUNTING PLATE | | 2 | |

n : NO. OF CONTACTS

RECOMMENDED PC BOARD LAYOUT
(COMPONENT SIDE)



- NOTE
1. THIS IS SMT CONNECTOR FOR AUTOMATIC MOUNTING.
 2. THIS PRODUCT MEETS EUROPEAN UNION DIRECTIVES AND OTHER COUNTRY REGULATIONS AS DESCRIBED IN GS-22-008.
 3. THE HOUSING WILL WITHSTAND EXPOSURE TO 260°C PEAK TEMPERATURE FOR 10 SECONDS IN A REFLOW SOLDERING OVEN.

| | | | | | | | | |
|-------------|----------|----------|----------|---------------------------------------|---------------------|--------------------------|---------------------------|------|
| mat'l. code | | | | surface | tolerance | projection | product family | CODE |
| | | | | ISO 1302 ✓ | ISO 406 ISO 1101 | | 58BF | JP |
| ltr | ecn no | dr | date | tolerances unless otherwise specified | | | title | |
| A | J05-0280 | H.T | 5/12/05 | angles | linear | | 0.8mm SPACING CONNECTOR | |
| B | J05-0730 | H.T | 10/28/05 | | | | (Cat. No. SFR__R-1ST__LF) | |
| C | J06-0485 | H.T | 11/20/06 | | | scale | | |
| | | | | dr | 11/20/06 | | dwg no | |
| | | | | enr | 11/20/06 | | sheet 1 of 1 | |
| | | | | chr | 11/20/06 | | JSA 96440 | |
| | | | | appd | 11/21/06 | | size A4 | |
| sheet index | | revision | C | | | type | | Rev. |
| sheet | | 1 | | | | Product Customer Drawing | | C |



FCIconnect.com

Copyright FCI.

CAT. NO. & DIMENSIONS

| NO. OF CONTACTS (n) | CAT. NO. (NOTE2) | DIMENSIONS (NOTE3) | | | |
|---------------------|------------------|--------------------|--------|--------|--------|
| | | E ±5 | F ±0.3 | G ±0.1 | H ±0.4 |
| 4 | SFR 4R-1STE1LF | 22.4 | 16 | — | 3.35 |
| 6 | SFR 6R-1STE1LF | 22.4 | 16 | — | 3.35 |
| 8 | SFR 8R-1STE1LF | 30.4 | 24 | — | 3.45 |
| 10 | SFR10R-1STE1LF | 30.4 | 24 | — | 3.45 |
| 12 | SFR12R-1STE1LF | 30.4 | 24 | — | 3.45 |
| 14 | SFR14R-1STE1LF | 30.4 | 24 | — | 3.45 |
| 16 | SFR16R-1STE1LF | 30.4 | 24 | — | 3.45 |
| 18 | SFR18R-1STE1LF | 38.4 | 32 | 28.4 | 3.45 |
| 20 | SFR20R-1STE1LF | 38.4 | 32 | 28.4 | 3.45 |
| 22 | SFR22R-1STE1LF | 50.4 | 44 | 40.4 | 3.55 |
| 24 | SFR24R-1STE1LF | 50.4 | 44 | 40.4 | 3.55 |
| 26 | SFR26R-1STE1LF | 50.4 | 44 | 40.4 | 3.55 |
| 28 | SFR28R-1STE1LF | 50.4 | 44 | 40.4 | 3.55 |
| 30 | SFR30R-1STE1LF | 50.4 | 44 | 40.4 | 3.55 |

CAT. NO.

SFR (n) R - 1ST E1 LF

SERIES NAME

NO. OF CONTACTS

RIGHT ANGLE TYPE

USE FOR FPC/FFC

FOR AUTOMATIC MOUNTING (SMT)

TAPE PACKAGING

LEAD FREE

NOTES

1. THIS IS SMT CONNECTOR FOR AUTOMATIC MOUNTING.
2. THIS CATALOG NO. INDICATES PLASTIC TAPE PACKAGED CONNECTOR.
3. SEE DRAWINGS OF CONNECTOR PACKAGING FOR DIMENSIONS E~H.

| | | | | | | | | |
|-------------|------------|---------|----------|---------------------------------------|-----------------------------|------------|---|-------------------|
| mat'l. code | | | | surface ISO 1302 ✓ | tolerance ISO 406 ISO 1101 | projection | product family 58BF | CODE JP |
| ltr | ecn no | dr | date | tolerances unless otherwise specified | | mm | title | |
| A | J05-0280 | H.T | 5/12/05 | angles | linear | | CAT NO. TABLE FOR PLASTIC TAPE PACKAGED 0.8mm SPACING CONNECTOR (Cat. No. SFR__R-1STE1LF) | |
| B | J06-0485 | H.T | 11/20/06 | | | scale X | dwg no | sheet 1 of 1 size |
| | | | | dr | <i>H. Ishiyama</i> 11/20/06 | | JSA 96441 | |
| | | | | enr | <i>H. Ishiyama</i> 11/20/06 | | A4 | |
| | | | | chr | <i>R. Shouji</i> 11/20/06 | | type Product Customer Drawing | |
| | | | | appd | <i>S. Adachi</i> 11/21/06 | | | |
| sheet index | revision B | sheet 1 | | | | | | Rev. B |

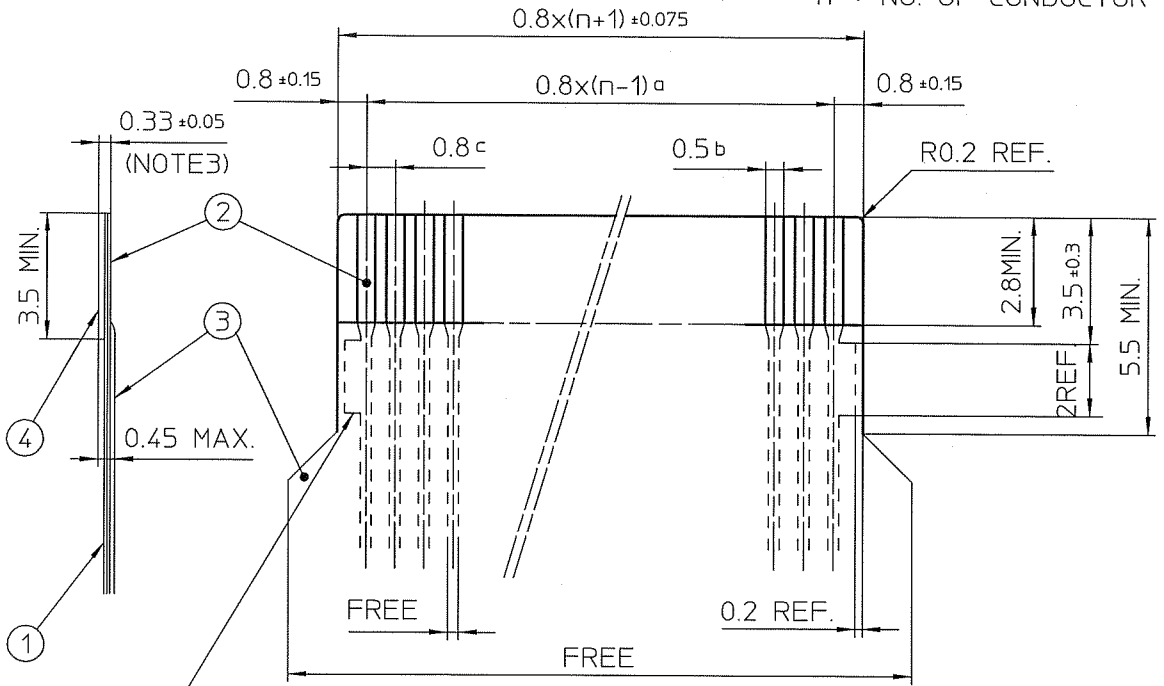


FCconnect.com

Copyright FCJ.

RECOMMENDED CABLE (FPC)

n : NO. OF CONDUCTOR



INSERTION INSPECTION MARK

| KIND OF FPC (NOTE 4) | DIMENSIONAL TOLERANCE | | |
|----------------------|-----------------------|--------|--------|
| | a | b | c |
| 1 | ±0.04 | ±0.05 | ±0.04 |
| 2 | ±0.035 | ±0.075 | ±0.035 |

| PT. NO. | PARTS NAME | MATERIAL | THICKNESS (μm) |
|---------|-----------------|---|----------------|
| 1 | BASE FILM | POLYIMIDE OR POLYESTER OR EQUAL | 25 |
| 2 | CONDUCTOR | COPPER FOIL (PLATING : SOLDER 1μm MIN.) | 35 |
| 3 | OVERLAY | POLYIMIDE OR POLYESTER OR EQUAL | — |
| 4 | SUPPORTING TAPE | POLYESTER OR POLYIMIDE OR EQUAL | 188 |

NOTES

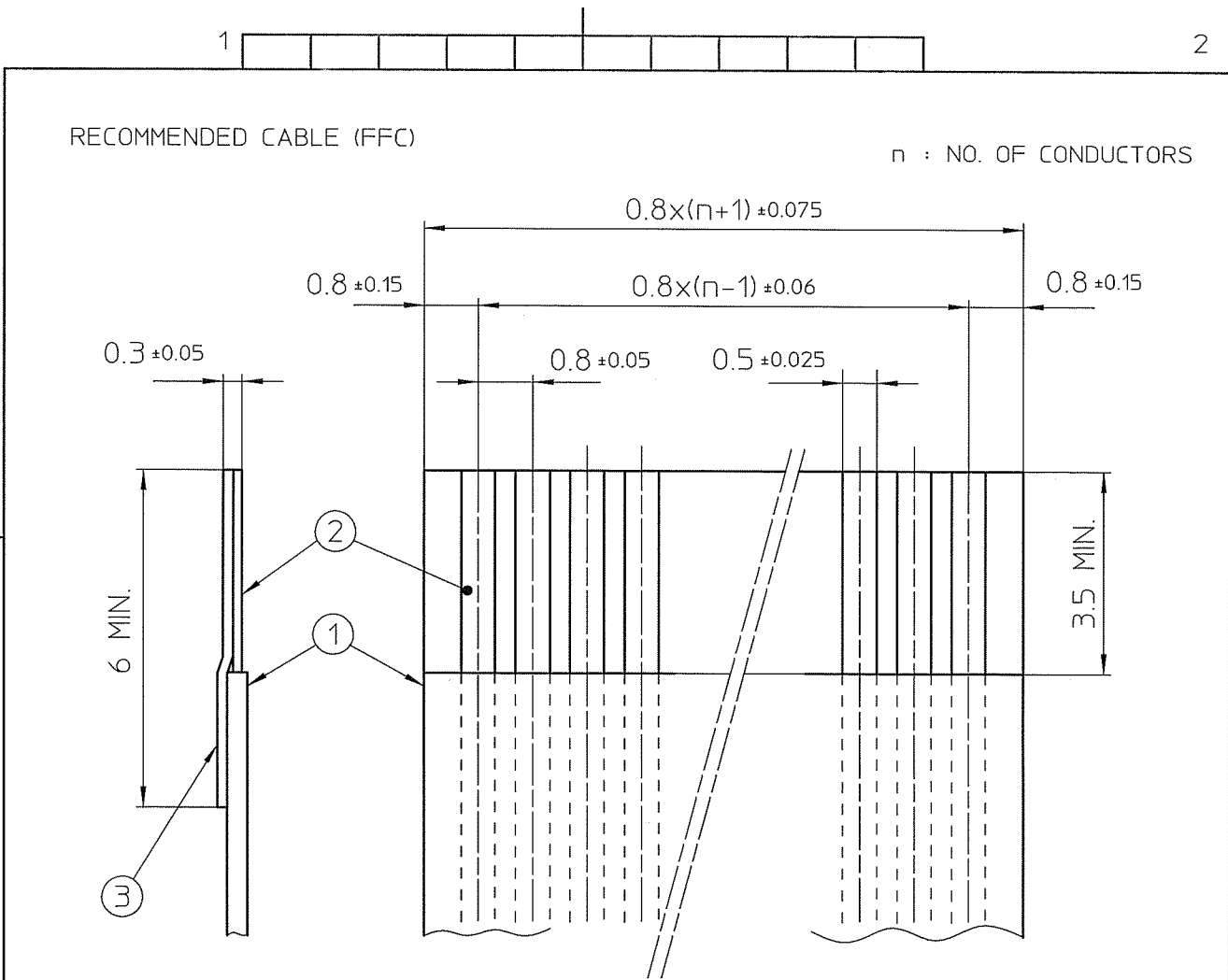
1. NO BURR AT EACH PORTION.
2. NO PEELING IN COMMON USE.
3. TOTAL THICKNESS LIMIT OF EACH MATERIAL (INCLUDING ADHESIVE AGENT) IS SPECIFIED.
4. EITHER KIND 1 OR KIND 2 OF FPC CAN ACCEPT DIMENSIONAL TOLERANCE a, b AND C.

| | | | | | | | | | | | | |
|-------------|----------------|-----|-----------|---------------------------------------|----------------------|----------------------------|--|------------|-------------------------------|-----------------------|--------------|------|
| mat'l. code | | | | surface ISO 1302 ✓ | | tolerance ISO 406 ISO 1101 | | projection | | product family 58BF | | |
| ltr | ecn no | dr | date | tolerances unless otherwise specified | | | | | | title | | |
| AA | J04-0357 | H.T | Oct.13/04 | | | | | | | RECOMMENDED CABLE | | |
| AB | J06-0351 | H.T | 8/29/06 | angles | linear | | | | | (CAT.No.SFR__R-1ST__) | | |
| | | | | dr | H. Takahashi 8/29/06 | | | | dwg no | | sheet 1 of 1 | size |
| | | | | enrg | H. Takahashi 8/29/06 | | | | JSA 90454 | | A4 | |
| | | | | chr | K. Shiroki 8/29/06 | | | | type Product Customer Drawing | | | |
| | | | | appd | S. Okada 8/29/06 | | | | | | | |
| sheet index | revision sheet | AB | 1 | | | | | | | Rev. AB | | |



FCJconnect.com

Copyright FCJ



| PT. NO. | PARTS NAME | MATERIAL | NOTE |
|---------|-----------------|------------------------------------|--------------------------------------|
| 1 | INSULATOR | FLAME RESISTING POLYESTER OR EQUAL | _____ |
| 2 | CONDUCTOR | COPPER FOIL : 50 μm | PLATING : TIN OR SOLDER 1 μm MIN. |
| 3 | SUPPORTING TAPE | FLAME RESISTING POLYESTER OR EQUAL | _____ |

NOTES

1. NO BURR AT EACH PORTION.
2. NO PEELING IN COMMON USE.

| | | | | | | | | | | | | |
|-------------|----------------|-----|-----------|---------------------------------------|---------|----------------------------|--|------------|-------------------------------|---|--|---------|
| mat'l. code | | | | surface ISO 1302 ✓ | | tolerance ISO 406 ISO 1101 | | projection | | product family 58BF | | |
| ltr | ecn no | dr | date | tolerances unless otherwise specified | | | | | | title RECOMMENDED CABLE (FFC) (CAT.No.SFR__R-1ST__) | | |
| AA | J04-0357 | H.T | Oct.13/04 | angles | linear | scale | | | | | | |
| AB | J06-0351 | H.T | 8/29/06 | dr | 8/29/06 | | | | dwg no sheet 1 of 1 size | | | |
| | | | | enrg | 8/29/06 | | | | JSA 90455 A4 | | | |
| | | | | chr | 8/29/06 | | | | type Product Customer Drawing | | | |
| | | | | appd | 8/29/06 | | | | | | | |
| sheet index | revision sheet | AB | 1 | | | | | | | | | Rev. AB |





FCIconnect.com

Copyright FCI

Looking for pricing, stock, or lifecycle information?

Click below to explore more details on WIN SOURCE:

-  [View SFR30R-1STE1LF on WIN SOURCE](#)
-  [Amphenol FCI Information](#)

Optimize Your Supply Chain with WIN SOURCE Solutions

-  Global Sourcing Solution
-  Obsolete Management
-  Cost Control Management
-  Shortage Management
-  Alternative Solution
-  Excess Inventory Management