



**THE DATASHEET OF  
TDA18275HN/C1Y**





# TDA18275

Hybrid (analog and digital) silicon tuner for terrestrial and cable TV reception

Rev. 2 — 14 October 2013

Product short data sheet

## 1. General description

---

The TDA18275 is a high performance silicon tuner designed for terrestrial and cable TV reception for both analog and digital broadcasts.

The TDA18275 supports all analog and digital TV standards and delivers a Low IF (LIF) signal to a demodulator for analog TV and/or a channel demodulator for digital TV.

The TDA18275 facilitates TV design by:

- Allowing on-board integration
- Drastically reducing the tuner Bill Of Material (BOM)
- Providing flexibility in system solution development

## 2. Features and benefits

---

- Single 3.3 V supply voltage
- Worldwide multistandard terrestrial and cable capabilities
- Alignment free
- RoHS compliant
- I<sup>2</sup>C-bus interface compatible with 3.3 V microcontrollers
- Fully integrated oscillators
- Fully integrated RF selectivity (no need for RF tracking filters coils)
- 2 programmable General-Purpose Outputs (GPO)
- Dual IF output ports
- 1.7 MHz, 6 MHz, 7 MHz, 8 MHz and 10 MHz channel bandwidths
- LIF channel center frequency output ranging from 0.8 MHz to 7.5 MHz
- Fully integrated IF selectivity; eliminating the need for external SAW filters
- Large flexibility in the IF filtering stage to ease the matching with various demodulators circuits
- Single-ended RF input, no need for external balun
- Excellent return loss compatible with cable requirements
- Power Level Detector (PLD) embedded
- Integrated gain control
- Self-AGC synchronization mode (VSync) for analog reception
- Very fast tuning time
- Strong immunity to LTE interferers in the digital dividend bandwidth
- Strong immunity to WLAN interferers (802.11 a/b/g/n)



### 3. Quick reference data

Table 1. Quick reference data

Symbol	Parameter	Conditions	Min	Typ	Max	Unit
$f_{RF}$	RF frequency	full range of RF input	42	-	1002	MHz
$NF_{tun}$	tuner noise figure	75 $\Omega$ impedance source; maximum gain; RF < 870 MHz	-	3.3	3.8	dB
		75 $\Omega$ impedance source; maximum gain; 870 MHz $\leq$ RF $\leq$ 1002 MHz	-	3.9	4.5	dB
$\phi_{jit}$	phase jitter	integrated from 250 Hz to 4 MHz	-	0.4	0.6	degree
$\alpha_{image}$	image rejection	worst case, measured at 4 MHz IF frequency and for image levels above 60 dB $\mu$ V	-	65	-	dB
CSO	composite second-order distortion	worst interferer over RF frequency with respect to wanted carrier	[1] -	-70	-65	dBc
CTB	composite triple beat		-	-70	-65	dBc
ICP <sub>1dB</sub>	1 dB input compression point	at the tuner input and minimum gain	120	-	-	dB $\mu$ V

[1] Test scenario: standard NTSC M/N.

### 4. Ordering information

Table 2. Ordering information

Type number	Package		Version
	Name	Description	
TDA18275HN/C1	HVQFN32	plastic thermal enhanced very thin quad flat package; no leads; 32 terminals; body 5 $\times$ 5 $\times$ 0.85 mm	SOT617-11

5. Block diagram

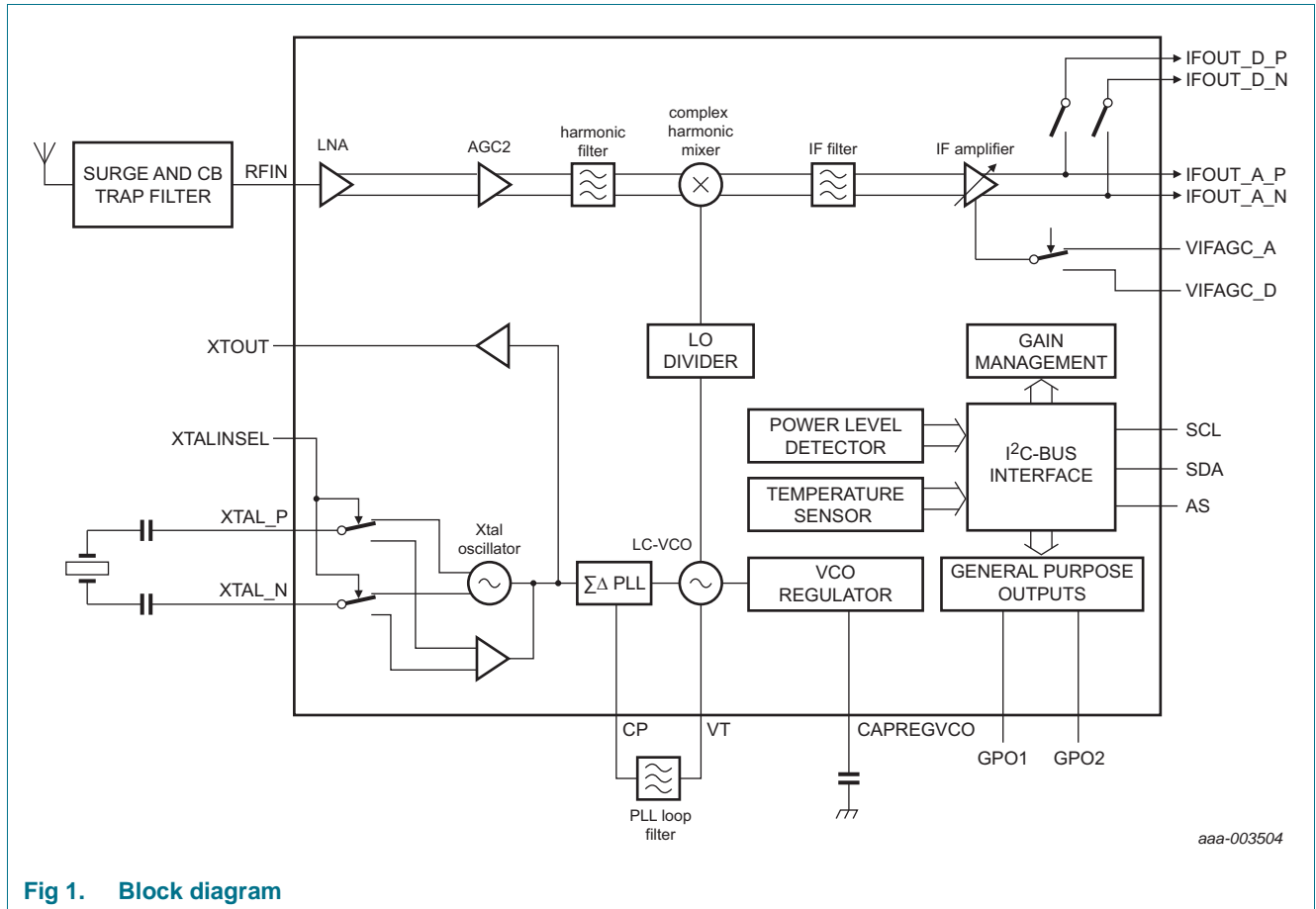


Fig 1. Block diagram

## 6. Limiting values

**Table 3. Limiting values**

In accordance with the Absolute Maximum Rating System (IEC 60134).

Symbol	Parameter	Conditions	Min	Max	Unit
$V_{CC}$	supply voltage		-0.3	+3.6	V
$V_i$	input voltage	$V_{CC} < 3.3\text{ V}$	-0.3	$V_{CC} + 0.3$	V
		$V_{CC} > 3.3\text{ V}$	-0.3	+3.6	V
$T_{stg}$	storage temperature		-40	+150	°C
$T_j$	junction temperature		-	150	°C
$T_{amb}$	ambient temperature		-20	<a href="#">[1]</a>	°C
$V_{ESD}$	electrostatic discharge voltage	EIA/JESD22-A114 (HBM)	-2	+2	kV
		EIA/JESD22-C101-C (FCDM) class III <a href="#">[2]</a>	1000	-	V
<b>GPO pins: GPO1 and GPO2</b>					
$V_{CC}$	supply voltage	$0\text{ V} < V_{pu} < 5.5\text{ V}$ ; $R_{pu} > 390\ \Omega$	-0.3	+5.5	V
$I_{CC}$	supply current	corresponding GPO ON	-20	0	mA
$V_{ESD}$	electrostatic discharge voltage	EIA/JESD22-A114 (HBM)	-650	+650	V
		EIA/JESD22-C101-C (FCDM) class IV <a href="#">[2]</a>	1000	-	V

[1] The maximum allowed ambient temperature  $T_{amb(max)}$  depends on the assembly conditions of the package and especially on the design of the Printed-Circuit Board (PCB) and die connection. The application mounting must be done in such a way that the maximum junction temperature is never exceeded. The junction temperature can be obtained by reading the temperature sensor bit via I<sup>2</sup>C-bus. The junction temperature:  $T_j = T_{amb} + \Delta T_{j-c}$ , where  $\Delta T_{j-c} = \text{power} \times R_{th}$ .

[2] Class IV:  $\geq 1000\text{ V}$ .

## 7. Abbreviations

**Table 4. Abbreviations**

Acronym	Description
AGC	Automatic Gain Control
AS	Address Selection
BOM	Bill Of Material
CB	Citizen Band
ESD	ElectroStatic Discharge
FCDM	Field-induced Charged-Device Model
GPO	General Purpose Outputs
HBM	Human Body Model
IF	Intermediate Frequency
LC-VCO	Inductors and Capacitors - Voltage Controlled Oscillator
LIF	Low IF
LNA	Low-Noise Amplifier
LO	Local Oscillator
LTE	Long-Term Evolution
NF	Noise Figure
NTSC	National Television System Committee
PCB	Printed-Circuit Board
PLD	Power Level Detector
PLL	Phase-Locked Loop
RF	Radio Frequency
RoHS	Restriction of Hazardous Substances
SAW	Surface Acoustic Wave
VCO	Voltage Controlled Oscillator
VSync	Vertical Synchronization
Xtal	Crystal
WLAN	Wireless Local Area Network

## 8. Revision history

**Table 5. Revision history**

Document ID	Release date	Data sheet status	Change notice	Supersedes
TDA18275_SDS v.2	20131014	Product short data sheet	-	TDA18275_SDS v.1
Modifications:	<ul style="list-style-type: none"> <li>• <a href="#">Table 1</a>: updated.</li> </ul>			
TDA18275_SDS v.1	20130710	Preliminary short data sheet	-	-

## 9. Legal information

### 9.1 Data sheet status

Document status <sup>[1][2]</sup>	Product status <sup>[3]</sup>	Definition
Objective [short] data sheet	Development	This document contains data from the objective specification for product development.
Preliminary [short] data sheet	Qualification	This document contains data from the preliminary specification.
Product [short] data sheet	Production	This document contains the product specification.

[1] Please consult the most recently issued document before initiating or completing a design.

[2] The term 'short data sheet' is explained in section "Definitions".

[3] The product status of device(s) described in this document may have changed since this document was published and may differ in case of multiple devices. The latest product status information is available on the Internet at URL <http://www.nxp.com>.

### 9.2 Definitions

**Draft** — The document is a draft version only. The content is still under internal review and subject to formal approval, which may result in modifications or additions. NXP Semiconductors does not give any representations or warranties as to the accuracy or completeness of information included herein and shall have no liability for the consequences of use of such information.

**Short data sheet** — A short data sheet is an extract from a full data sheet with the same product type number(s) and title. A short data sheet is intended for quick reference only and should not be relied upon to contain detailed and full information. For detailed and full information see the relevant full data sheet, which is available on request via the local NXP Semiconductors sales office. In case of any inconsistency or conflict with the short data sheet, the full data sheet shall prevail.

**Product specification** — The information and data provided in a Product data sheet shall define the specification of the product as agreed between NXP Semiconductors and its customer, unless NXP Semiconductors and customer have explicitly agreed otherwise in writing. In no event however, shall an agreement be valid in which the NXP Semiconductors product is deemed to offer functions and qualities beyond those described in the Product data sheet.

### 9.3 Disclaimers

**Limited warranty and liability** — Information in this document is believed to be accurate and reliable. However, NXP Semiconductors does not give any representations or warranties, expressed or implied, as to the accuracy or completeness of such information and shall have no liability for the consequences of use of such information. NXP Semiconductors takes no responsibility for the content in this document if provided by an information source outside of NXP Semiconductors.

In no event shall NXP Semiconductors be liable for any indirect, incidental, punitive, special or consequential damages (including - without limitation - lost profits, lost savings, business interruption, costs related to the removal or replacement of any products or rework charges) whether or not such damages are based on tort (including negligence), warranty, breach of contract or any other legal theory.

Notwithstanding any damages that customer might incur for any reason whatsoever, NXP Semiconductors' aggregate and cumulative liability towards customer for the products described herein shall be limited in accordance with the *Terms and conditions of commercial sale* of NXP Semiconductors.

**Right to make changes** — NXP Semiconductors reserves the right to make changes to information published in this document, including without limitation specifications and product descriptions, at any time and without notice. This document supersedes and replaces all information supplied prior to the publication hereof.

**Suitability for use** — NXP Semiconductors products are not designed, authorized or warranted to be suitable for use in life support, life-critical or safety-critical systems or equipment, nor in applications where failure or malfunction of an NXP Semiconductors product can reasonably be expected to result in personal injury, death or severe property or environmental damage. NXP Semiconductors and its suppliers accept no liability for inclusion and/or use of NXP Semiconductors products in such equipment or applications and therefore such inclusion and/or use is at the customer's own risk.

**Applications** — Applications that are described herein for any of these products are for illustrative purposes only. NXP Semiconductors makes no representation or warranty that such applications will be suitable for the specified use without further testing or modification.

Customers are responsible for the design and operation of their applications and products using NXP Semiconductors products, and NXP Semiconductors accepts no liability for any assistance with applications or customer product design. It is customer's sole responsibility to determine whether the NXP Semiconductors product is suitable and fit for the customer's applications and products planned, as well as for the planned application and use of customer's third party customer(s). Customers should provide appropriate design and operating safeguards to minimize the risks associated with their applications and products.

NXP Semiconductors does not accept any liability related to any default, damage, costs or problem which is based on any weakness or default in the customer's applications or products, or the application or use by customer's third party customer(s). Customer is responsible for doing all necessary testing for the customer's applications and products using NXP Semiconductors products in order to avoid a default of the applications and the products or of the application or use by customer's third party customer(s). NXP does not accept any liability in this respect.

**Limiting values** — Stress above one or more limiting values (as defined in the Absolute Maximum Ratings System of IEC 60134) will cause permanent damage to the device. Limiting values are stress ratings only and (proper) operation of the device at these or any other conditions above those given in the Recommended operating conditions section (if present) or the Characteristics sections of this document is not warranted. Constant or repeated exposure to limiting values will permanently and irreversibly affect the quality and reliability of the device.

**Terms and conditions of commercial sale** — NXP Semiconductors products are sold subject to the general terms and conditions of commercial sale, as published at <http://www.nxp.com/profile/terms>, unless otherwise agreed in a valid written individual agreement. In case an individual agreement is concluded only the terms and conditions of the respective agreement shall apply. NXP Semiconductors hereby expressly objects to applying the customer's general terms and conditions with regard to the purchase of NXP Semiconductors products by customer.

**No offer to sell or license** — Nothing in this document may be interpreted or construed as an offer to sell products that is open for acceptance or the grant, conveyance or implication of any license under any copyrights, patents or other industrial or intellectual property rights.

**Export control** — This document as well as the item(s) described herein may be subject to export control regulations. Export might require a prior authorization from competent authorities.

**Quick reference data** — The Quick reference data is an extract of the product data given in the Limiting values and Characteristics sections of this document, and as such is not complete, exhaustive or legally binding.

**Non-automotive qualified products** — Unless this data sheet expressly states that this specific NXP Semiconductors product is automotive qualified, the product is not suitable for automotive use. It is neither qualified nor tested in accordance with automotive testing or application requirements. NXP Semiconductors accepts no liability for inclusion and/or use of non-automotive qualified products in automotive equipment or applications.

In the event that customer uses the product for design-in and use in automotive applications to automotive specifications and standards, customer (a) shall use the product without NXP Semiconductors' warranty of the product for such automotive applications, use and specifications, and (b) whenever customer uses the product for automotive applications beyond NXP Semiconductors' specifications such use shall be solely at customer's own risk, and (c) customer fully indemnifies NXP Semiconductors for any liability, damages or failed product claims resulting from customer design and use of the product for automotive applications beyond NXP Semiconductors' standard warranty and NXP Semiconductors' product specifications.

**Translations** — A non-English (translated) version of a document is for reference only. The English version shall prevail in case of any discrepancy between the translated and English versions.

## 9.4 Licenses

### ICs with DVB-T or DVB-T2 functionality

Use of this product in any manner that complies with the DVB-T or the DVB-T2 standard may require licenses under applicable patents of the DVB-T respectively the DVB-T2 patent portfolio, which license is available from Sisvel S.p.A., Via Sestriere 100, 10060 None (TO), Italy, and under applicable patents of other parties.

## 9.5 Trademarks

Notice: All referenced brands, product names, service names and trademarks are the property of their respective owners.

**I<sup>2</sup>C-bus** — logo is a trademark of NXP B.V.

## 10. Contact information

For more information, please visit: <http://www.nxp.com>

For sales office addresses, please send an email to: [salesaddresses@nxp.com](mailto:salesaddresses@nxp.com)

## 11. Contents

---

<b>1</b>	<b>General description</b> .....	<b>1</b>
<b>2</b>	<b>Features and benefits</b> .....	<b>1</b>
<b>3</b>	<b>Quick reference data</b> .....	<b>2</b>
<b>4</b>	<b>Ordering information</b> .....	<b>2</b>
<b>5</b>	<b>Block diagram</b> .....	<b>3</b>
<b>6</b>	<b>Limiting values</b> .....	<b>4</b>
<b>7</b>	<b>Abbreviations</b> .....	<b>5</b>
<b>8</b>	<b>Revision history</b> .....	<b>5</b>
<b>9</b>	<b>Legal information</b> .....	<b>6</b>
9.1	Data sheet status .....	6
9.2	Definitions .....	6
9.3	Disclaimers .....	6
9.4	Licenses .....	7
9.5	Trademarks .....	7
<b>10</b>	<b>Contact information</b> .....	<b>7</b>
<b>11</b>	<b>Contents</b> .....	<b>8</b>

---

Please be aware that important notices concerning this document and the product(s) described herein, have been included in section 'Legal information'.

---

© NXP B.V. 2013.

All rights reserved.

For more information, please visit: <http://www.nxp.com>

For sales office addresses, please send an email to: [salesaddresses@nxp.com](mailto:salesaddresses@nxp.com)

Date of release: 14 October 2013

Document identifier: TDA18275\_SDS

## Looking for pricing, stock, or lifecycle information?

Click below to explore more details on WIN SOURCE:

- ⊖ [View TDA18275HN/C1Y on WIN SOURCE](#)
- ⊖ [NXP / Nexperia Information](#)

## Optimize Your Supply Chain with WIN SOURCE Solutions

- ✓ Global Sourcing Solution
- ✓ Obsolete Management
- ✓ Cost Control Management
- ✓ Shortage Management
- ✓ Alternative Solution
- ✓ Excess Inventory Management