



**THE DATASHEET OF  
AD628ARMZ**



### FEATURES

- High common-mode input voltage range**  
±120 V at  $V_S = \pm 15$  V
- Gain range 0.1 to 100**
- Operating temperature range: -40°C to +85°C**
- Supply voltage range**  
Dual supply: ±2.25 V to ±18 V  
Single supply: 4.5 V to 36 V
- Excellent ac and dc performance**
- Offset temperature stability RTI: 10  $\mu$ V/°C maximum**
- Offset: ±1.5 V mV maximum**
- CMRR RTI: 75 dB minimum, dc to 500 Hz, G = +1**

### APPLICATIONS

- High voltage current shunt sensing**
- Programmable logic controllers**
- Analog input front end signal conditioning**  
+5 V, +10 V, ±5 V, ±10 V, and 4 to 20 mA
- Isolation**
- Sensor signal conditioning**
- Power supply monitoring**
- Electrohydraulic controls**
- Motor controls**

### GENERAL DESCRIPTION

The AD628 is a precision difference amplifier that combines excellent dc performance with high common-mode rejection over a wide range of frequencies. When used to scale high voltages, it allows simple conversion of standard control voltages or currents for use with single-supply ADCs. A wideband feedback loop minimizes distortion effects due to capacitor charging of  $\Sigma$ - $\Delta$  ADCs.

A reference pin ( $V_{REF}$ ) provides a dc offset for converting bipolar to single-sided signals. The AD628 converts +5 V, +10 V, ±5 V, ±10 V, and 4 to 20 mA input signals to a single-ended output within the input range of single-supply ADCs.

The AD628 has an input common mode and differential mode operating range of ±120 V. The high common mode, input impedance makes the device well suited for high voltage measurements across a shunt resistor. The inverting input of the buffer amplifier is available for making a remote Kelvin connection.

### FUNCTIONAL BLOCK DIAGRAM

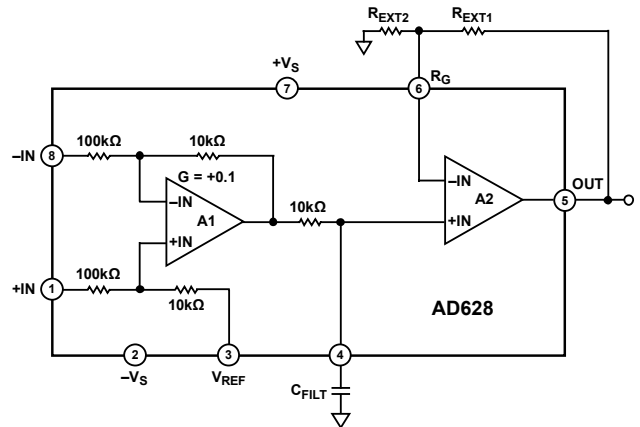


Figure 1.

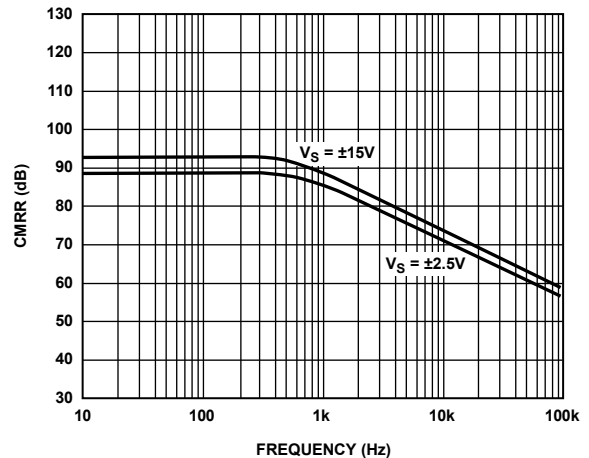


Figure 2. CMRR vs. Frequency of the AD628

A precision 10 k $\Omega$  resistor connected to an external pin is provided for either a low-pass filter or to attenuate large differential input signals. A single capacitor implements a low-pass filter. The AD628 operates from single and dual supplies and is available in an 8-lead SOIC\_N or an 8-lead MSOP. It operates over the standard industrial temperature range of -40°C to +85°C.

### Rev. G

Information furnished by Analog Devices is believed to be accurate and reliable. However, no responsibility is assumed by Analog Devices for its use, nor for any infringements of patents or other rights of third parties that may result from its use. Specifications subject to change without notice. No license is granted by implication or otherwise under any patent or patent rights of Analog Devices. Trademarks and registered trademarks are the property of their respective owners.

## TABLE OF CONTENTS

Features .....	1
Applications.....	1
General Description .....	1
Functional Block Diagram .....	1
Revision History .....	2
Specifications.....	3
Absolute Maximum Ratings.....	7
Thermal Characteristics .....	7
ESD Caution.....	7
Pin Configuration and Function Descriptions.....	8
Typical Performance Characteristics .....	9
Test Circuits.....	13

## REVISION HISTORY

### 4/07—Rev. F to Rev. G

Changes to Features.....	1
Changes to Figure 22.....	11
Changes to Figure 25.....	13
Changes to Voltage Level Conversion Section.....	17
Changes to Monitoring Battery Voltages Section .....	18
Changes to Figure 34.....	18
Changes to Figure 35.....	19
Updated Outline Dimensions .....	20

### 3/06—Rev. E to Rev. F

Changes to Table 1.....	3
Changes to Figure 3.....	7
Replaced Voltage Level Conversion Section .....	16
Changes to Figure 32 and Figure 33.....	17
Updated Outline Dimensions .....	19
Changes to Ordering Guide .....	19

### 5/05—Rev. D to Rev. E

Changes to Table 1.....	3
Changes to Table 2.....	5
Changes to Figure 33.....	18

### 3/05—Rev. C to Rev. D

Updated Format.....	Universal
Changes to Table 1.....	3
Changes to Table 2.....	5

### 4/04—Rev. B to Rev. C

Updated Format.....	Universal
Changes to Specifications.....	3

Theory of Operation .....	15
Applications Information .....	16
Gain Adjustment .....	16
Input Voltage Range.....	16
Voltage Level Conversion.....	17
Current Loop Receiver .....	18
Monitoring Battery Voltages.....	18
Filter Capacitor Values.....	19
Kelvin Connection .....	19
Outline Dimensions .....	20
Ordering Guide .....	20

Changes to Absolute Maximum Ratings.....	7
Changes to Figure 3.....	7
Changes to Figure 26.....	13
Changes to Figure 27.....	13
Changes to Theory of Operation.....	14
Changes to Figure 29.....	14
Changes to Table 5.....	15
Changes to Gain Adjustment Section.....	15
Added the Input Voltage Range Section.....	15
Added Figure 30 .....	15
Added Figure 31 .....	15
Changes to Voltage Level Conversion Section .....	16
Changes to Figure 32.....	16
Changes to Table 6.....	16
Changes to Figure 33 and Figure 34.....	17
Changes to Figure 35.....	18
Changes to Kelvin Connection Section.....	18

### 6/03—Rev. A to Rev. B

Changes to General Description .....	1
Changes to Specifications.....	2
Changes to Ordering Guide .....	4
Changes to TPCs 4, 5, and 6 .....	5
Changes to TPC 9.....	6
Updated Outline Dimensions .....	14

### 1/03—Rev. 0 to Rev. A

Change to Ordering Guide.....	4
-------------------------------	---

### 11/02—Rev. 0: Initial Version

## SPECIFICATIONS

$T_A = 25^\circ\text{C}$ ,  $V_S = \pm 15\text{ V}$ ,  $R_L = 2\text{ k}\Omega$ ,  $R_{EXT1} = 10\text{ k}\Omega$ ,  $R_{EXT2} = \infty$ ,  $V_{REF} = 0\text{ V}$ , unless otherwise noted.

Table 1.

Parameter	Conditions	AD628AR			AD628ARM			Unit
		Min	Typ	Max	Min	Typ	Max	
<b>DIFFERENTIAL AND OUTPUT AMPLIFIER</b>								
Gain Equation	$G = +0.1 (1 + R_{EXT1}/R_{EXT2})$							V/V
Gain Range	See Figure 29	0.1 <sup>1</sup>		100	0.1 <sup>1</sup>		100	V/V
Offset Voltage	$V_{CM} = 0\text{ V}$ ; RTI of input pins <sup>2</sup> ; output amplifier $G = +1$	-1.5		+1.5	-1.5		+1.5	mV
vs. Temperature			4	8		4	8	$\mu\text{V}/^\circ\text{C}$
CMRR <sup>3</sup>	RTI of input pins; $G = +0.1$ to $+100$	75			75			dB
	500 Hz	75			75			dB
Minimum CMRR Over Temperature	$-40^\circ\text{C}$ to $+85^\circ\text{C}$	70			70			dB
vs. Temperature			1	4		1	4	$(\mu\text{V}/\text{V})/^\circ\text{C}$
PSRR (RTI)	$V_S = \pm 10\text{ V}$ to $\pm 18\text{ V}$	77	94		77	94		dB
Input Voltage Range								
Common Mode		-120		+120	-120		+120	V
Differential		-120		+120	-120		+120	V
Dynamic Response								
Small Signal Bandwidth -3 dB	$G = +0.1$		600			600		kHz
Full Power Bandwidth			5			5		kHz
Settling Time	$G = +0.1$ , to 0.01%, 100 V step			40			40	$\mu\text{s}$
Slew Rate			0.3			0.3		$\text{V}/\mu\text{s}$
Noise (RTI)								
Spectral Density	1 kHz		300			300		$\text{nV}/\sqrt{\text{Hz}}$
	0.1 Hz to 10 Hz		15			15		$\mu\text{V p-p}$
<b>DIFFERENTIAL AMPLIFIER</b>								
Gain			0.1			0.1		V/V
Error		-0.1	+0.01	+0.1	-0.1	+0.01	+0.1	%
vs. Temperature				5			5	$\text{ppm}/^\circ\text{C}$
Nonlinearity				5			5	ppm
vs. Temperature			3	10		3	10	ppm
Offset Voltage	RTI of input pins	-1.5		+1.5	-1.5		+1.5	mV
vs. Temperature				8			8	$\mu\text{V}/^\circ\text{C}$
Input Impedance								
Differential			220			220		$\text{k}\Omega$
Common Mode			55			55		$\text{k}\Omega$
CMRR <sup>4</sup>	RTI of input pins; $G = +0.1$ to $+100$	75			75			dB
	500 Hz	75			75			dB
Minimum CMRR Over Temperature	$-40^\circ\text{C}$ to $+85^\circ\text{C}$	70			70			dB
vs. Temperature			1	4		1	4	$(\mu\text{V}/\text{V})/^\circ\text{C}$
Output Resistance			10			10		$\text{k}\Omega$
Error		-0.1		+0.1	-0.1		+0.1	%

# AD628

Parameter	Conditions	AD628AR			AD628ARM			Unit
		Min	Typ	Max	Min	Typ	Max	
<b>OUTPUT AMPLIFIER</b>								
Gain Equation	$G = (1 + R_{EXT1}/R_{EXT2})$							V/V
Nonlinearity	$G = +1, V_{OUT} = \pm 10\text{ V}$			0.5			0.5	ppm
Offset Voltage	RTI of output amp	-0.15		+0.15	-0.15		+0.15	mV
vs. Temperature				0.6			0.6	$\mu\text{V}/^\circ\text{C}$
Output Voltage Swing	$R_L = 10\text{ k}\Omega$	-14.2		+14.1	-14.2		+14.1	V
	$R_L = 2\text{ k}\Omega$	-13.8		+13.6	-13.8		+13.6	V
Bias Current			1.5	3		1.5	3	nA
Offset Current			0.2	0.5		0.2	0.5	nA
CMRR	$V_{CM} = \pm 13\text{ V}$	130			130			dB
Open-Loop Gain	$V_{OUT} = \pm 13\text{ V}$	130			130			dB
<b>POWER SUPPLY</b>								
Operating Range		$\pm 2.25$		$\pm 18$	$\pm 2.25$		$\pm 18$	V
Quiescent Current				1.6			1.6	mA
<b>TEMPERATURE RANGE</b>								
		-40		+85	-40		+85	$^\circ\text{C}$

<sup>1</sup> To use a lower gain, see the Gain Adjustment section.

<sup>2</sup> The addition of the difference amplifier and output amplifier offset voltage does not exceed this specification.

<sup>3</sup> Error due to common mode as seen at the output:  $V_{OUT} = \left[ \frac{(0.1)(V_{CM})}{\frac{75}{10^{20}}} \right] \times [\text{Output Amplifier Gain}]$ .

<sup>4</sup> Error due to common mode as seen at the output of A1:  $V_{OUT\ A1} = \left[ \frac{(0.1)(V_{CM})}{\frac{75}{10^{20}}} \right]$ .

T<sub>A</sub> = 25°C, V<sub>S</sub> = 5 V, R<sub>L</sub> = 2 kΩ, R<sub>EXT1</sub> = 10 kΩ, R<sub>EXT2</sub> = ∞, V<sub>REF</sub> = 2.5 V, unless otherwise noted.

Table 2.

Parameter	Conditions	AD628AR			AD628ARM			Unit
		Min	Typ	Max	Min	Typ	Max	
<b>DIFFERENTIAL AND OUTPUT AMPLIFIER</b>								
Gain Equation	$G = +0.1(1 + R_{EXT1}/R_{EXT2})$							V/V
Gain Range	See Figure 29	0.1 <sup>1</sup>		100	0.1 <sup>1</sup>		100	V/V
Offset Voltage	V <sub>CM</sub> = 2.25 V; RTI of input pins <sup>2</sup> ; output amplifier G = +1	-3.0		+3.0	-3.0		+3.0	mV
vs. Temperature			6	15		6	15	μV/°C
CMRR <sup>3</sup>	RTI of input pins; G = +0.1 to +100	75			75			dB
	500 Hz	75			75			dB
Minimum CMRR Over Temperature	-40°C to +85°C	70			70			dB
vs. Temperature			1	4		1	4	(μV/V)/°C
PSRR (RTI)	V <sub>S</sub> = 4.5 V to 10 V	77	94		77	94		dB
Input Voltage Range								
Common Mode <sup>4</sup>		-12		+17	-12		+17	V
Differential		-15		+15	-15		+15	V
Dynamic Response								
Small Signal Bandwidth – 3 dB	G = +0.1		440			440		kHz
Full Power Bandwidth			30			30		kHz
Settling Time	G = +0.1; to 0.01%, 30 V step		15			15		μs
Slew Rate			0.3			0.3		V/μs
Noise (RTI)								
Spectral Density	1 kHz		350			350		nV/√Hz
	0.1 Hz to 10 Hz		15			15		μV p-p
<b>DIFFERENTIAL AMPLIFIER</b>								
Gain			0.1			0.1		V/V
Error		-0.1	+0.01	+0.1	-0.1	+0.01	+0.1	%
Nonlinearity				3			3	ppm
vs. Temperature			3	10		3	10	ppm
Offset Voltage	RTI of input pins	-2.5		+2.5	-2.5		+2.5	mV
vs. Temperature				10			10	μV/°C
Input Impedance								
Differential			220			220		kΩ
Common Mode			55			55		kΩ
CMRR <sup>5</sup>	RTI of input pins; G = +0.1 to +100	75			75			dB
	500 Hz	75			75			dB
Minimum CMRR Over Temperature	-40°C to +85°C	70			70			dB
vs. Temperature			1	4		1	4	(μV/V)/°C
Output Resistance			10			10		kΩ
Error		-0.1		+0.1	-0.1		+0.1	%
<b>OUTPUT AMPLIFIER</b>								
Gain Equation	$G = (1 + R_{EXT1}/R_{EXT2})$							V/V
Nonlinearity	G = +1, V <sub>OUT</sub> = 1 V to 4 V			0.5			0.5	ppm
Output Offset Voltage	RTI of output amplifier	-0.15		+0.15	-0.15		+0.15	mV
vs. Temperature				0.6			0.6	μV/°C
Output Voltage Swing	R <sub>L</sub> = 10 kΩ	0.9		4.1	0.9		4.1	V
	R <sub>L</sub> = 2 kΩ	1		4	1		4	V
Bias Current			1.5	3		1.5	3	nA
Offset Current			0.2	0.5		0.2	0.5	nA
CMRR	V <sub>CM</sub> = 1 V to 4 V	130			130			dB
Open-Loop Gain	V <sub>OUT</sub> = 1 V to 4 V	130			130			dB

# AD628

Parameter	Conditions	AD628AR			AD628ARM			Unit
		Min	Typ	Max	Min	Typ	Max	
POWER SUPPLY								
Operating Range		±2.25		+36	±2.25		+36	V
Quiescent Current				1.6			1.6	mA
TEMPERATURE RANGE		-40		+85	-40		+85	°C

<sup>1</sup> To use a lower gain, see the Gain Adjustment section.

<sup>2</sup> The addition of the difference amplifier and output amplifier offset voltage does not exceed this specification.

<sup>3</sup> Error due to common mode as seen at the output:  $V_{OUT} = \left[ \frac{(0.1)(V_{CM})}{\frac{75}{10^{20}}} \right] \times [Output\ Amplifier\ Gain]$ .

<sup>4</sup> Greater values of voltage are possible with greater or lesser values of  $V_{REF}$ .

<sup>5</sup> Error due to common mode as seen at the output of A1:  $V_{OUT\ A1} = \left[ \frac{(0.1)(V_{CM})}{\frac{75}{10^{20}}} \right]$ .

## ABSOLUTE MAXIMUM RATINGS

Table 3.

Parameter	Rating
Supply Voltage	±18 V
Internal Power Dissipation	See Figure 3
Input Voltage (Common Mode)	±120 V <sup>1</sup>
Differential Input Voltage	±120 V <sup>1</sup>
Output Short-Circuit Duration	Indefinite
Storage Temperature Range	−65°C to +125°C
Operating Temperature Range	−40°C to +85°C
Lead Temperature (Soldering, 10 sec)	300°C

<sup>1</sup> When using ±12 V supplies or higher, see the Input Voltage Range section.

Stresses above those listed under Absolute Maximum Ratings may cause permanent damage to the device. This is a stress rating only; functional operation of the device at these or any other conditions above those indicated in the operational section of this specification is not implied. Exposure to absolute maximum rating conditions for extended periods may affect device reliability.

## THERMAL CHARACTERISTICS

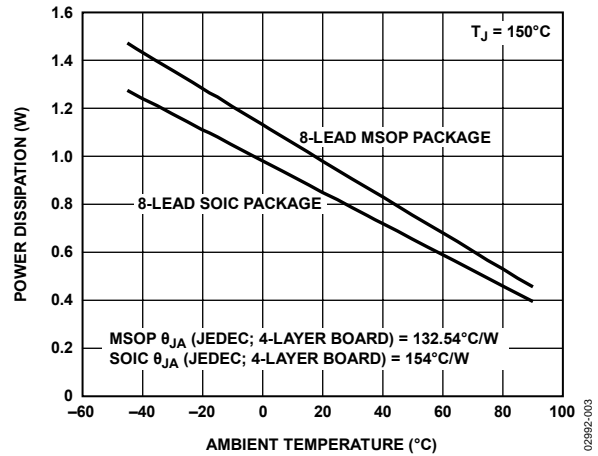


Figure 3. Maximum Power Dissipation vs. Temperature

## ESD CAUTION



**ESD (electrostatic discharge) sensitive device.** Charged devices and circuit boards can discharge without detection. Although this product features patented or proprietary protection circuitry, damage may occur on devices subjected to high energy ESD. Therefore, proper ESD precautions should be taken to avoid performance degradation or loss of functionality.

# AD628

## PIN CONFIGURATION AND FUNCTION DESCRIPTIONS

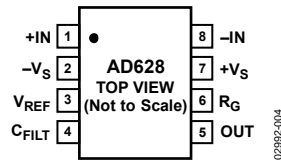


Figure 4. Pin Configuration

Table 4. Pin Function Descriptions

Pin No.	Mnemonic	Description
1	+IN	Noninverting Input
2	-Vs	Negative Supply Voltage
3	V <sub>REF</sub>	Reference Voltage Input
4	C <sub>FILT</sub>	Filter Capacitor Connection
5	OUT	Amplifier Output
6	R <sub>G</sub>	Output Amplifier Inverting Input
7	+Vs	Positive Supply Voltage
8	-IN	Inverting Input

# TYPICAL PERFORMANCE CHARACTERISTICS

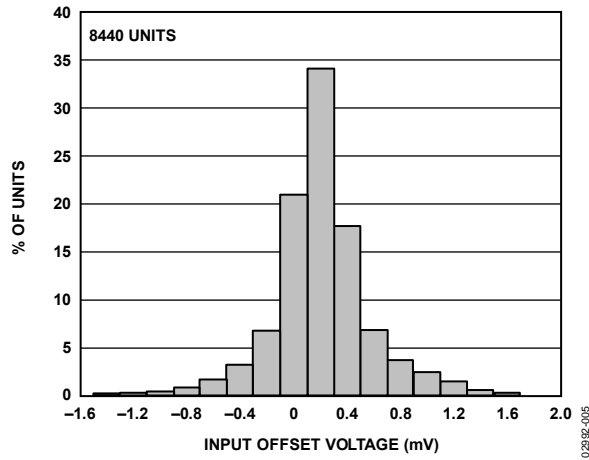


Figure 5. Typical Distribution of Input Offset Voltage,  $V_s = \pm 15\text{ V}$ , SOIC\_N Package

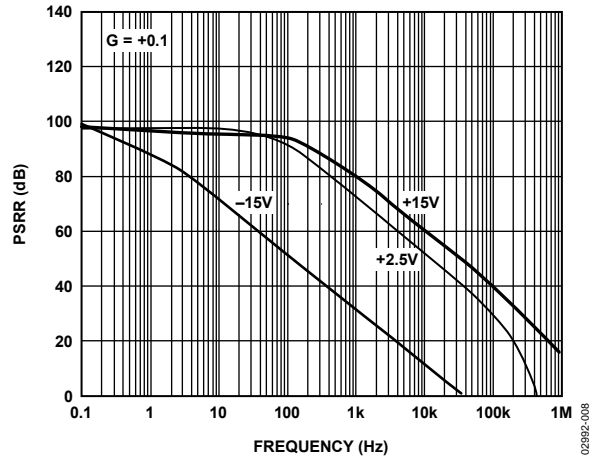


Figure 8. PSRR vs. Frequency, Single and Dual Supplies

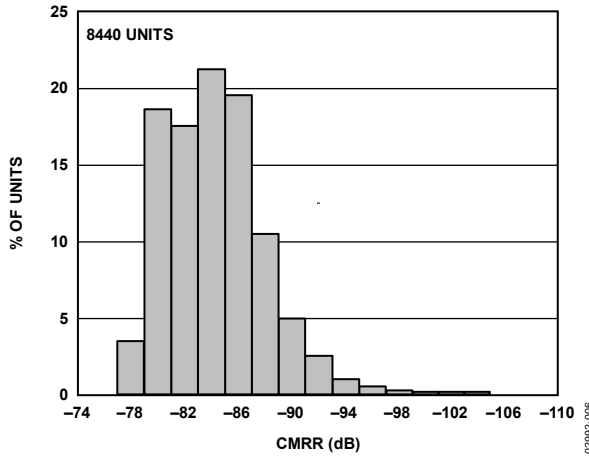


Figure 6. Typical Distribution of CMRR, SOIC\_N Package

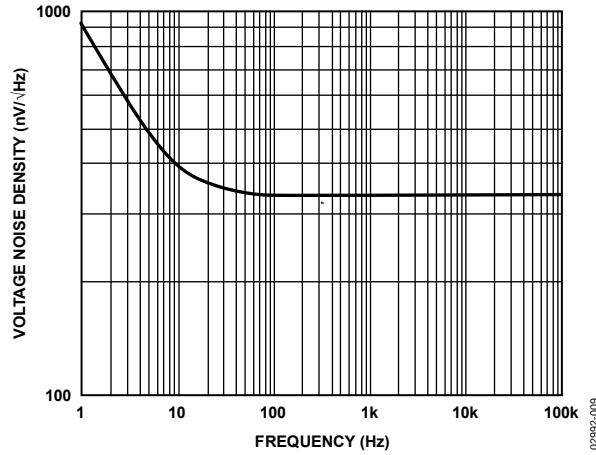


Figure 9. Voltage Noise Spectral Density, RTI,  $V_s = \pm 15\text{ V}$

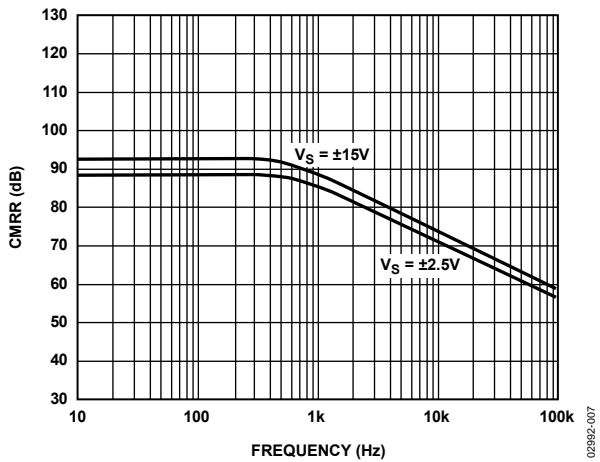


Figure 7. CMRR vs. Frequency

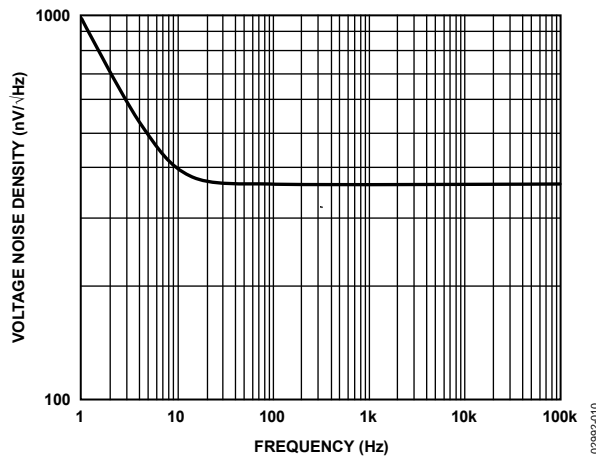


Figure 10. Voltage Noise Spectral Density, RTI,  $V_s = \pm 2.5\text{ V}$

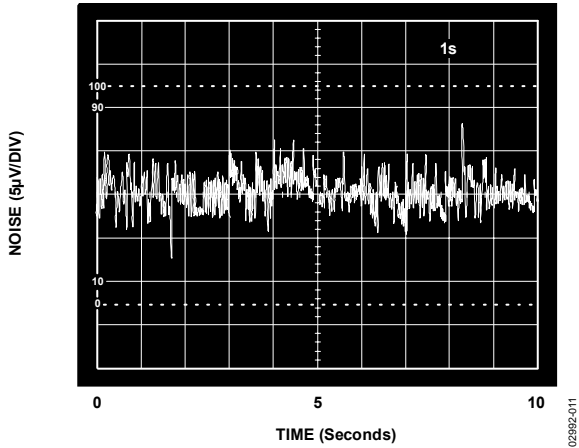


Figure 11. 0.1 Hz to 10 Hz Voltage Noise, RTI

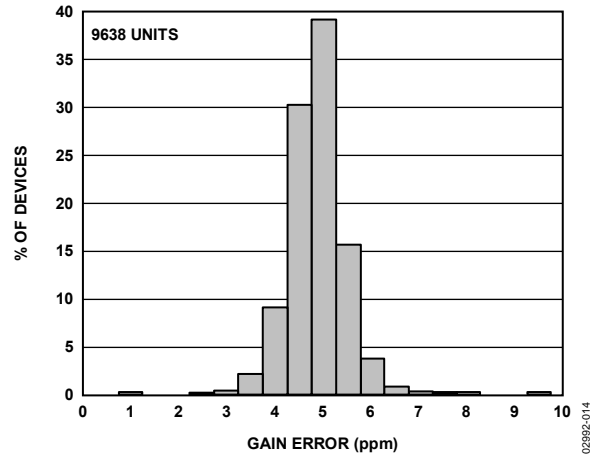


Figure 14. Typical Distribution of +1 Gain Error

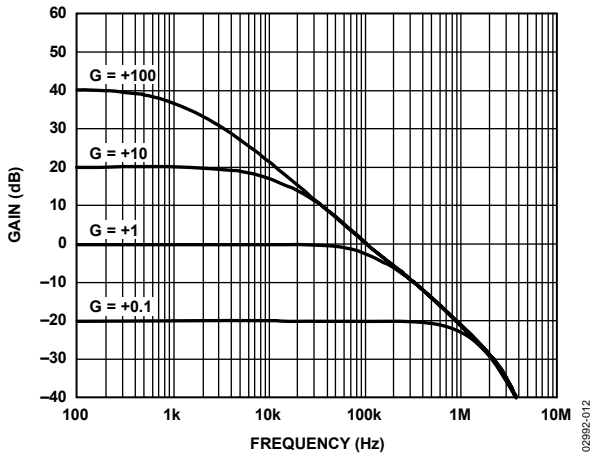


Figure 12. Small Signal Frequency Response,  $V_{OUT} = 200\text{ mV p-p}$ ,  $G = +0.1, +1, +10, \text{ and } +100$

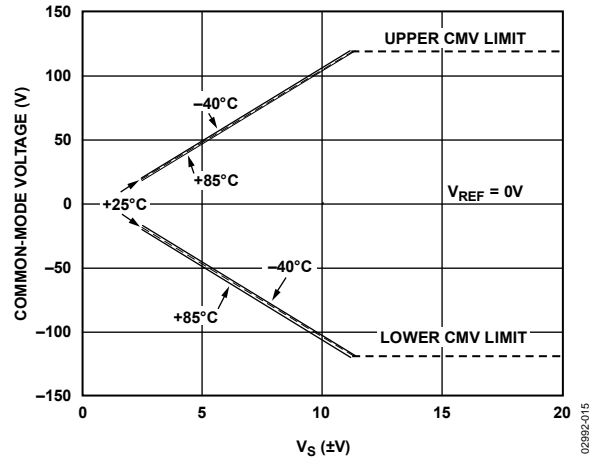


Figure 15. Common-Mode Operating Range vs. Power Supply Voltage for Three Temperatures

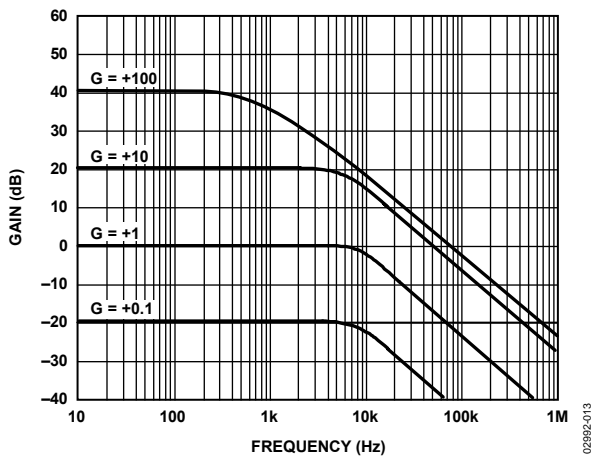


Figure 13. Large Signal Frequency Response,  $V_{OUT} = 20\text{ V p-p}$ ,  $G = +0.1, +1, +10, \text{ and } +100$

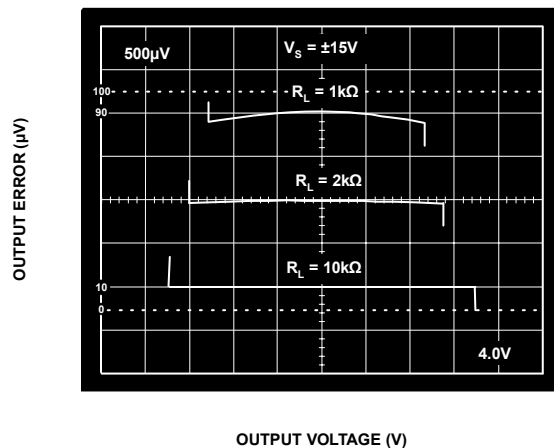


Figure 16. Normalized Gain Error vs.  $V_{OUT}$ ,  $V_S = \pm 15\text{ V}$

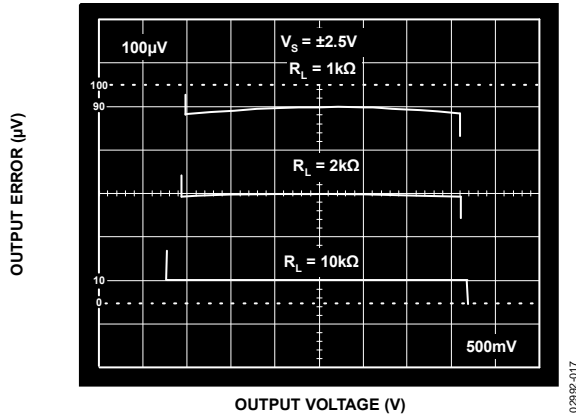


Figure 17. Normalized Gain Error vs.  $V_{OUT}$ ,  $V_S = \pm 2.5V$

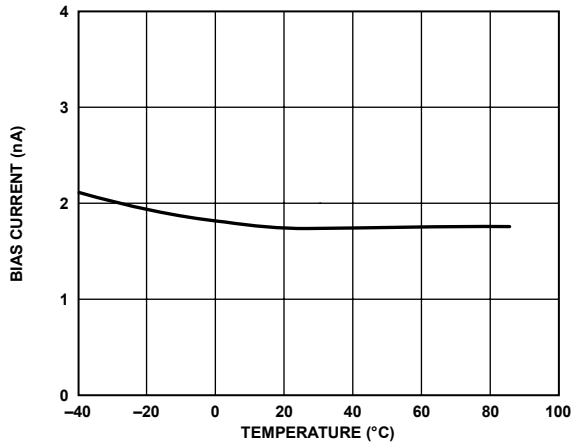


Figure 18. Bias Current vs. Temperature Buffer

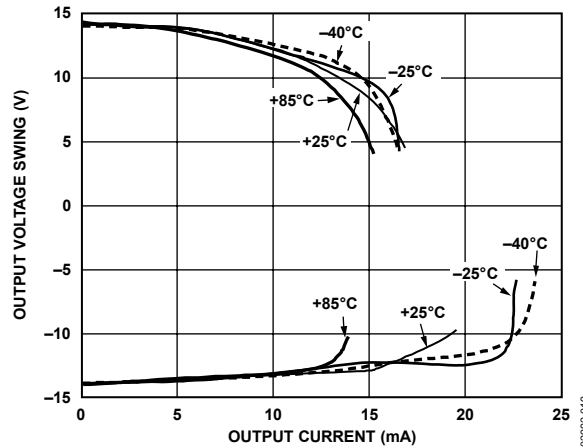


Figure 19. Output Voltage Operating Range vs. Output Current

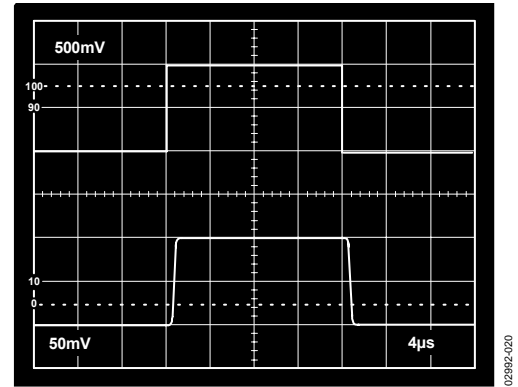


Figure 20. Small Signal Pulse Response,  $R_L = 2k\Omega$ ,  $C_L = 0pF$ , Top: Input, Bottom: Output

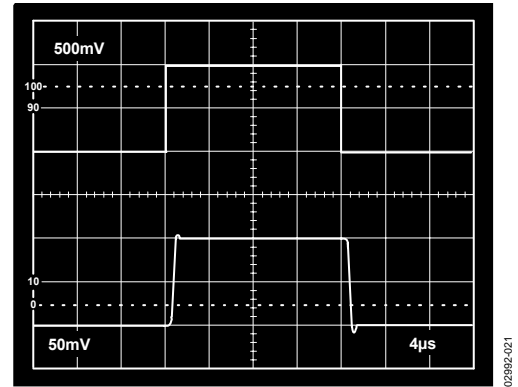


Figure 21. Small Signal Pulse Response,  $R_L = 2k\Omega$ ,  $C_L = 1000pF$ , Top: Input, Bottom: Output

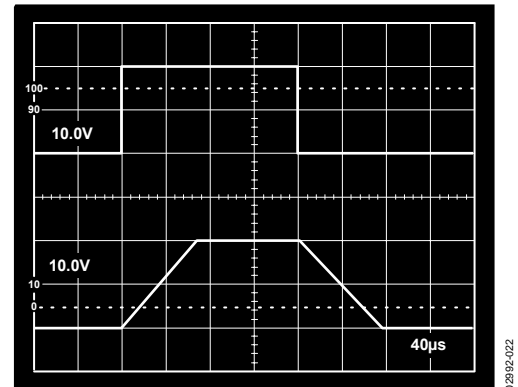


Figure 22. Large Signal Pulse Response,  $R_L = 2k\Omega$ ,  $C_L = 1000pF$ , Top: Input, Bottom: Output

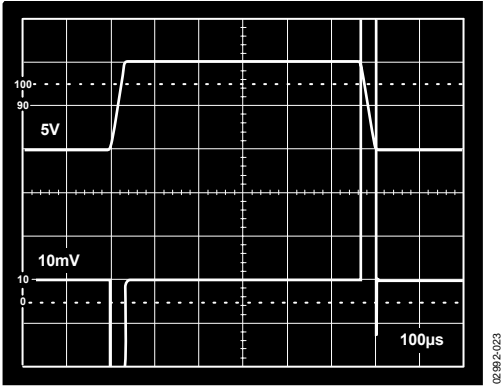


Figure 23. Settling Time to 0.01%, 0 V to 10 V Step

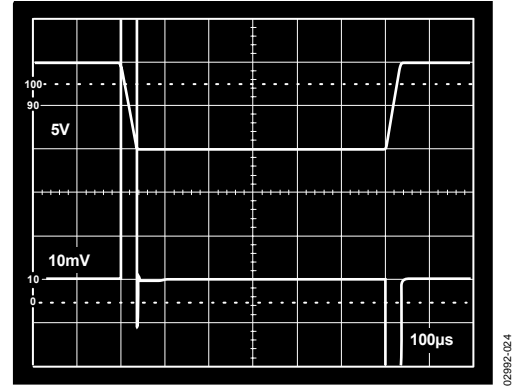


Figure 24. Settling Time to 0.01% 0 V to -10 V Step

TEST CIRCUITS

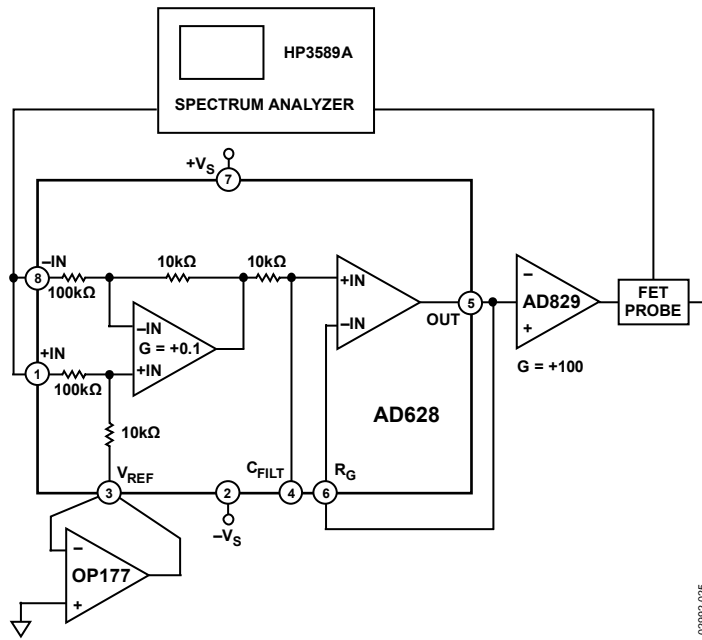


Figure 25. CMRR vs. Frequency

02982-025

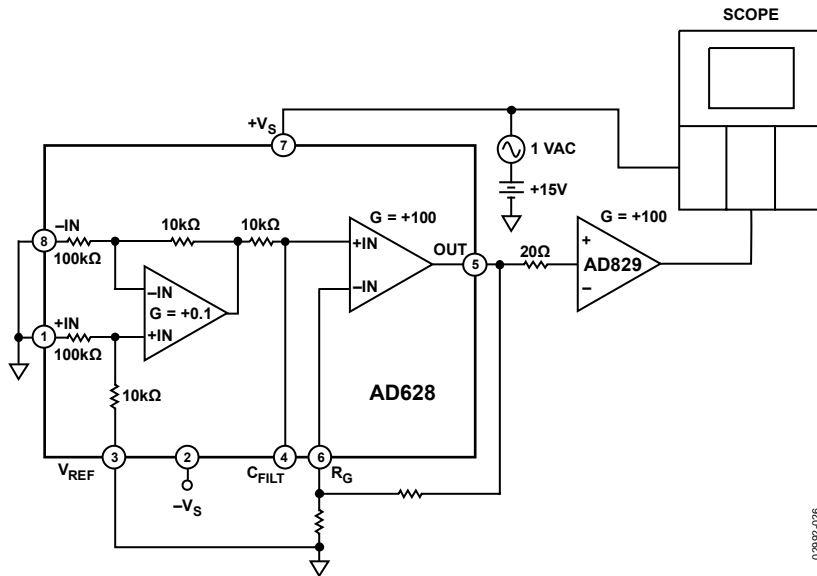


Figure 26. PSRR vs. Frequency

02982-026

# AD628

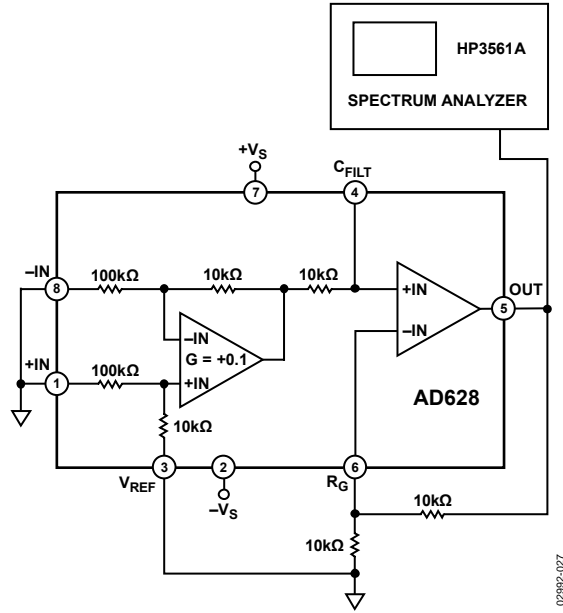


Figure 27. Noise Tests

02992-027

## THEORY OF OPERATION

The AD628 is a high common-mode voltage difference amplifier, combined with a user-configurable output amplifier (see Figure 28 and Figure 29). Differential mode voltages in excess of 120 V are accurately scaled by a precision 11:1 voltage divider at the input. A reference voltage input is available to the user at Pin 3 ( $V_{REF}$ ). The output common-mode voltage of the difference amplifier is the same as the voltage applied to the reference pin. If the uncommitted amplifier is configured for gain, connect Pin 3 to one end of the external gain resistor to establish the output common-mode voltage at Pin 5 (OUT).

The output of the difference amplifier is internally connected to a 10 k $\Omega$  resistor trimmed to better than  $\pm 0.1\%$  absolute accuracy. The resistor is connected to the noninverting input of the output amplifier and is accessible at Pin 4 ( $C_{FILT}$ ). A capacitor can be connected to implement a low-pass filter, a resistor can be connected to further reduce the output voltage, or a clamp circuit can be connected to limit the output swing.

The uncommitted amplifier is a high open-loop gain, low offset, low drift op amp, with its noninverting input connected to the internal 10 k $\Omega$  resistor. Both inputs are accessible to the user.

Careful layout design has resulted in exceptional common-mode rejection at higher frequencies. The inputs are connected to Pin 1 (+IN) and Pin 8 (-IN), which are adjacent to the power pins, Pin 2 ( $-V_S$ ) and Pin 7 ( $+V_S$ ). Because the power pins are at ac ground, input impedance balance and, therefore, common-mode rejection are preserved at higher frequencies.

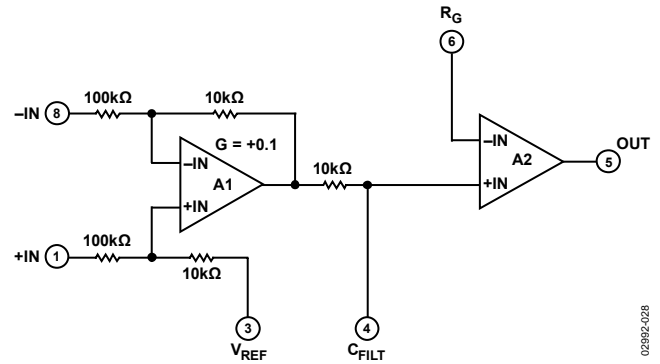


Figure 28. Simplified Schematic

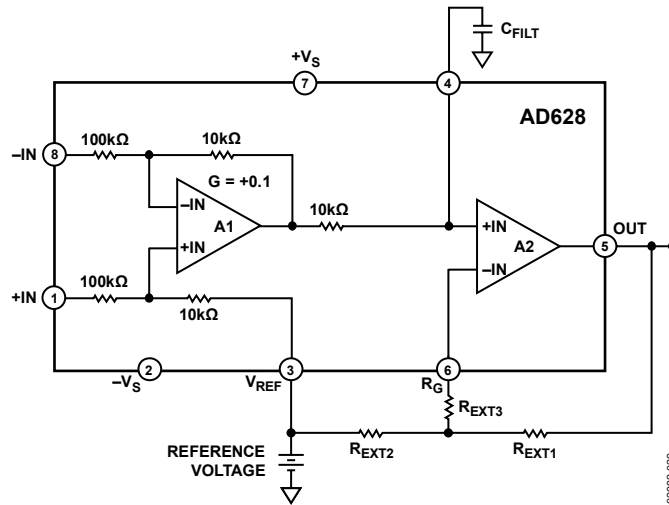


Figure 29. Circuit Connections

## APPLICATIONS INFORMATION

### GAIN ADJUSTMENT

The AD628 system gain is provided by an architecture consisting of two amplifiers (see Figure 29). The gain of the input stage is fixed at 0.1; the output buffer is user adjustable as  $G_{A2} = 1 + R_{EXT1}/R_{EXT2}$ . The system gain is then

$$G_{TOTAL} = 0.1 \times \left( 1 + \frac{R_{EXT1}}{R_{EXT2}} \right) \quad (1)$$

At a 2 nA maximum, the input bias current of the buffer amplifier is very low and any offset voltage induced at the buffer amplifier by its bias current may be neglected ( $2 \text{ nA} \times 10 \text{ k}\Omega = 20 \text{ }\mu\text{V}$ ). However, to absolutely minimize bias current effects, select  $R_{EXT1}$  and  $R_{EXT2}$  so that their parallel combination is 10 k $\Omega$ . If practical resistor values force the parallel combination of  $R_{EXT1}$  and  $R_{EXT2}$  below 10 k $\Omega$ , add a series resistor ( $R_{EXT3}$ ) to make up for the difference. Table 5 lists several values of gain and corresponding resistor values.

**Table 5. Nearest Standard 1% Resistor Values for Various Gains (see Figure 29)**

Total Gain (V/V)	A2 Gain (V/V)	$R_{EXT1}$ ( $\Omega$ )	$R_{EXT2}$ ( $\Omega$ )	$R_{EXT3}$ ( $\Omega$ )
0.1	1	10 k	$\infty$	0
0.2	2	20 k	20 k	0
0.25	2.5	25.9 k	18.7 k	0
0.5	5	49.9 k	12.4 k	0
1	10	100 k	11 k	0
2	20	200 k	10.5 k	0
5	50	499 k	10.2 k	0
10	100	1 M	10.2 k	0

To set the system gain to  $<0.1$ , create an attenuator by placing Resistor  $R_{EXT4}$  from Pin 4 ( $C_{FILT}$ ) to the reference voltage. A divider is formed by the 10 k $\Omega$  resistor that is in series with the positive input of A2 and Resistor  $R_{EXT4}$ . A2 is configured for unity gain.

Using a divider and setting A2 to unity gain yields

$$G_{W/DIVIDER} = 0.1 \times \left( \frac{R_{EXT4}}{10 \text{ k}\Omega + R_{EXT4}} \right) \times 1$$

### INPUT VOLTAGE RANGE

$V_{REF}$  and the supply voltage determine the common-mode input voltage range. The relation is expressed by

$$\begin{aligned} V_{CM,UPPER} &\leq 11(V_{S+} - 1.2 \text{ V}) - 10 V_{REF} \\ V_{CM,LOWER} &\geq 11(V_{S-} + 1.2 \text{ V}) - 10 V_{REF} \end{aligned} \quad (2)$$

where:

$V_{S+}$  is the positive supply.

$V_{S-}$  is the negative supply.

1.2 V is the headroom needed for suitable performance.

Equation 2 provides a general formula for calculating the common-mode input voltage range. However, keep the AD628 within the maximum limits listed in Table 1 to maintain optimal performance. This is illustrated in Figure 30 where the maximum common-mode input voltage is limited to  $\pm 120 \text{ V}$ . Figure 31 shows the common-mode input voltage bounds for single-supply voltages.

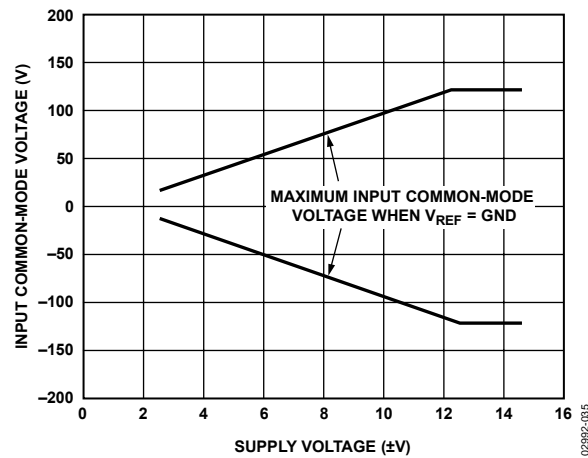


Figure 30. Input Common-Mode Voltage vs. Supply Voltage for Dual Supplies

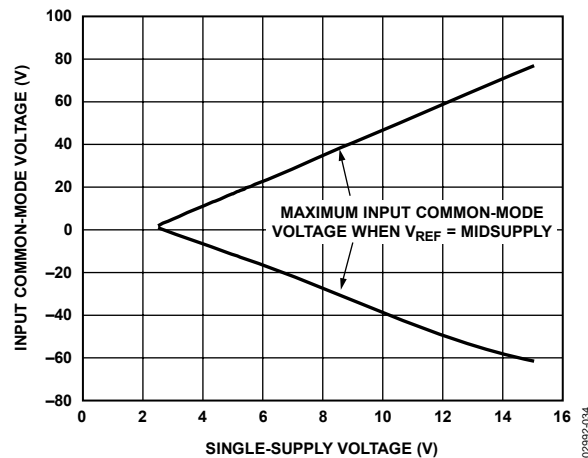


Figure 31. Input Common-Mode Voltage vs. Supply Voltage for Single Supplies



## CURRENT LOOP RECEIVER

Analog data transmitted on a 4 to 20 mA current loop can be detected with the receiver shown in Figure 33. The AD628 is an ideal choice for such a function because the current loop is driven with a compliance voltage sufficient to stabilize the loop, and the resultant common-mode voltage often exceeds commonly used supply voltages. Note that with large shunt values, a resistance of equal value must be inserted in series with the inverting input to compensate for an error at the noninverting input.

## MONITORING BATTERY VOLTAGES

Figure 34 illustrates how the AD628 is used to monitor a battery charger. Voltages approximately eight times the power supply voltage can be applied to the input with no damage. The resistor divider action is well suited for the measurement of many power supply applications, such as those found in battery chargers or similar equipment.

For proper operation, the common-mode voltage must satisfy the input specifications in Table 1, as well as Equation 2.

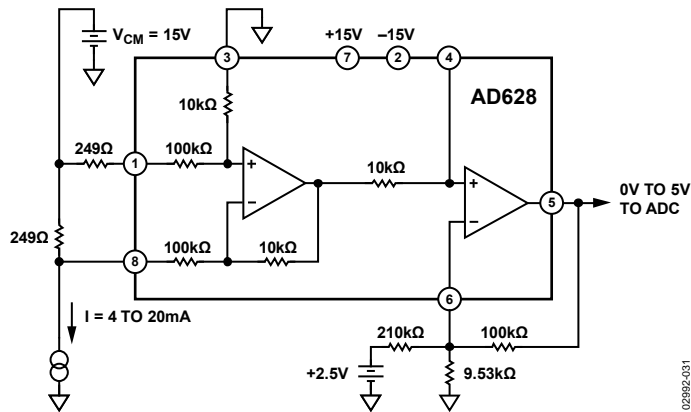


Figure 33. Level Shifter for 4 to 20 mA Current Loop

02992-031

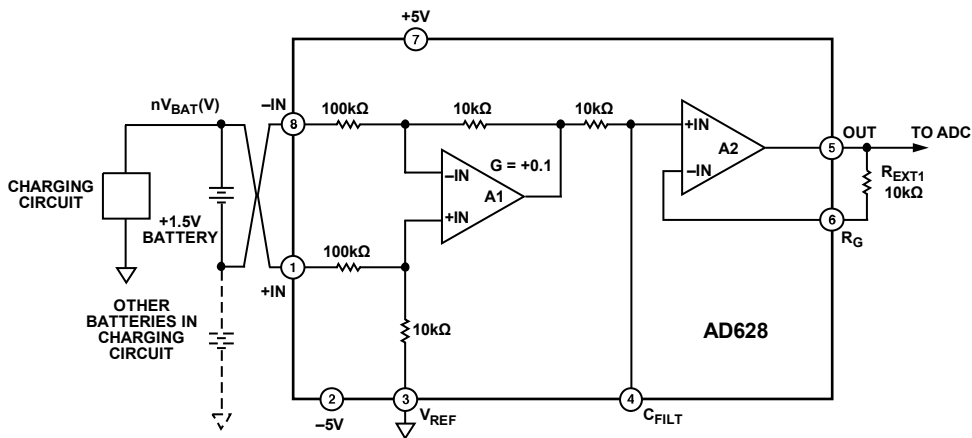


Figure 34. Battery Voltage Monitor

02992-032

**FILTER CAPACITOR VALUES**

Connect a capacitor to Pin 4 ( $C_{FILT}$ ) to implement a low-pass filter. The capacitor value is

$$C = 15.9/f_i (\mu F)$$

where  $f_i$  is the desired 3 dB filter frequency.

Table 7 shows several frequencies and their closest standard capacitor values.

**Table 7. Capacitor Values for Various Filter Frequencies**

Frequency (Hz)	Capacitor Value ( $\mu F$ )
10	1.5
50	0.33
60	0.27
100	0.15
400	0.039
1 k	0.015
5 k	0.0033
10 k	0.0015

**KELVIN CONNECTION**

In certain applications, it may be desirable to connect the inverting input of an amplifier to a remote reference point. This eliminates errors resulting in circuit losses in interconnecting wiring. The AD628 is particularly suited for this type of connection. In Figure 35, a 10 k $\Omega$  resistor added in the feedback matches the source impedance of A2. This is described in more detail in the Gain Adjustment section.

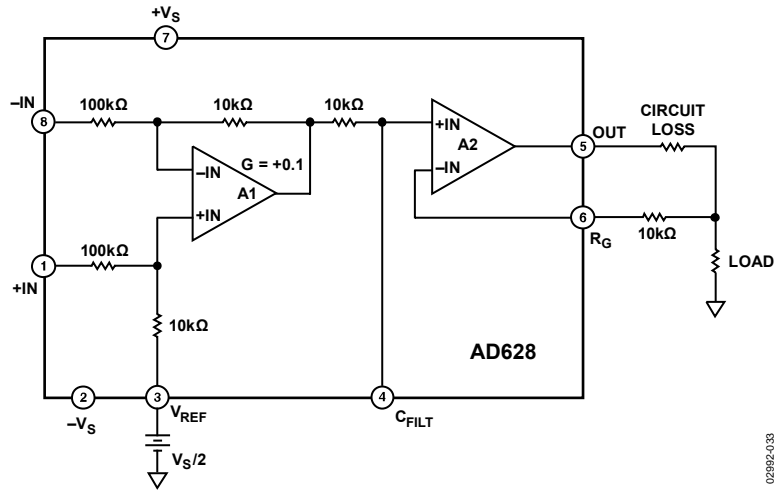
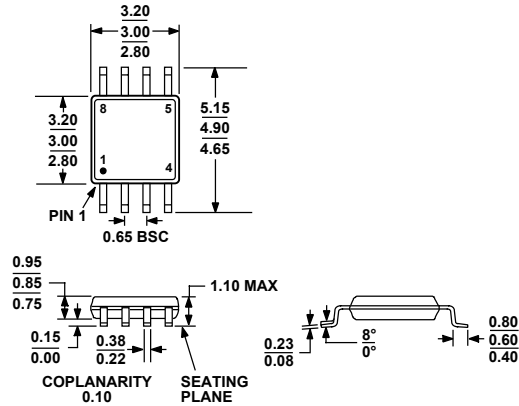


Figure 35. Kelvin Connection

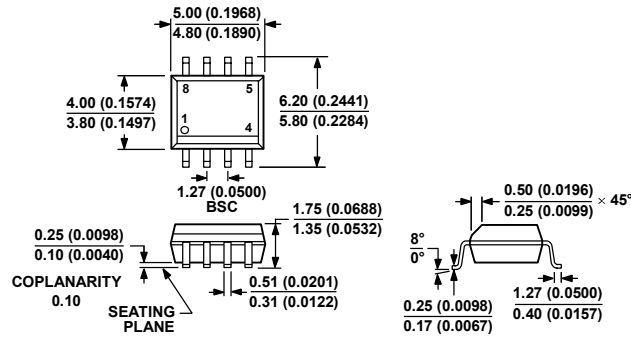
02892-033

OUTLINE DIMENSIONS



COMPLIANT TO JEDEC STANDARDS MO-187-AA

Figure 36. 8-Lead Mini Small Outline Package [MSOP] (RM-8)  
Dimensions shown in millimeters



COMPLIANT TO JEDEC STANDARDS MS-012-AA  
CONTROLLING DIMENSIONS ARE IN MILLIMETERS; INCH DIMENSIONS (IN PARENTHESES) ARE ROUNDED-OFF MILLIMETER EQUIVALENTS FOR REFERENCE ONLY AND ARE NOT APPROPRIATE FOR USE IN DESIGN.

Figure 37. 8-Lead Standard Small Outline Package [SOIC\_N] Narrow Body (R-8)  
Dimensions shown in millimeters and (inches)

ORDERING GUIDE

Model	Temperature Range	Description	Package Option	Branding
AD628AR	-40°C to +85°C	8-Lead SOIC_N	R-8	
AD628AR-REEL	-40°C to +85°C	8-Lead SOIC_N 13" Reel	R-8	
AD628AR-REEL7	-40°C to +85°C	8-Lead SOIC_N 7" Reel	R-8	
AD628ARZ <sup>1</sup>	-40°C to +85°C	8-Lead SOIC_N	R-8	
AD628ARZ-RL <sup>1</sup>	-40°C to +85°C	8-Lead SOIC_N 13" Reel	R-8	
AD628ARZ-R7 <sup>1</sup>	-40°C to +85°C	8-Lead SOIC_N 7" Reel	R-8	
AD628ARM	-40°C to +85°C	8-Lead MSOP	RM-8	JGA
AD628ARM-REEL	-40°C to +85°C	8-Lead MSOP 13" Reel	RM-8	JGA
AD628ARM-REEL7	-40°C to +85°C	8-Lead MSOP 7" Reel	RM-8	JGA
AD628ARMZ <sup>1</sup>	-40°C to +85°C	8-Lead MSOP	RM-8	JGZ
AD628ARMZ-RL <sup>1</sup>	-40°C to +85°C	8-Lead MSOP 13" Reel	RM-8	JGZ
AD628ARMZ-R7 <sup>1</sup>	-40°C to +85°C	8-Lead MSOP 7" Reel	RM-8	JGZ
AD628-EVAL		Evaluation Board		

<sup>1</sup> Z = RoHS Compliant Part.

## Looking for pricing, stock, or lifecycle information?

Click below to explore more details on WIN SOURCE:

 View [AD628ARMZ](#) on WIN SOURCE

 [Analog Devices Inc.](#) Information

## Optimize Your Supply Chain with WIN SOURCE Solutions

-  Global Sourcing Solution
-  Obsolete Management
-  Cost Control Management
-  Shortage Management
-  Alternative Solution
-  Excess Inventory Management