



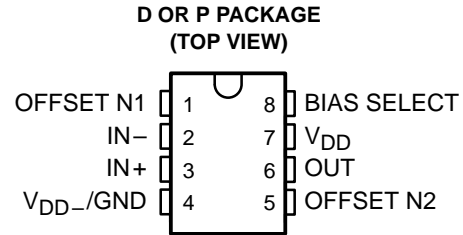
# THE DATASHEET OF TLC251ACDRG4



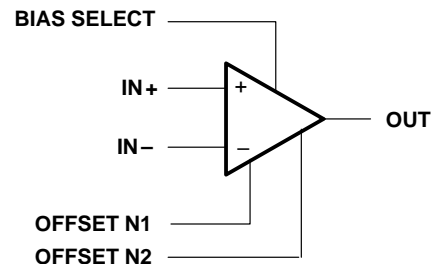
# TLC251, TLC251A, TLC251B, TLC251Y LinCMOS™ PROGRAMMABLE LOW-POWER OPERATIONAL AMPLIFIERS

SLOS001F – JULY 1983 – REVISED MARCH 2001

- **Wide Range of Supply Voltages**  
1.4-V to 16-V
- **True Single-Supply Operation**
- **Common-Mode Input Voltage Range**  
Includes the Negative Rail
- **Low Noise . . . 30 nV/ $\sqrt{\text{Hz}}$  Typ at 1-kHz**  
(High Bias)
- **ESD Protection Exceeds 2000 V Per**  
MIL-STD-883C, Method 3015.1



symbol



## description

The TLC251C, TLC251AC, and TLC251BC are low-cost, low-power programmable operational amplifiers designed to operate with single or dual supplies. Unlike traditional metal-gate CMOS operational amplifiers, these devices utilize Texas Instruments silicon-gate LinCMOS™ process, giving them stable input offset voltages without sacrificing the advantages of metal-gate CMOS.

This series of parts is available in selected grades of input offset voltage and can be nulled with one external potentiometer. Because the input common-mode range extends to the negative rail and the power consumption is extremely low, this family is ideally suited for battery-powered or energy-conserving applications. A bias-select pin can be used to program one of three ac performance and power-dissipation levels to suit the application. The series features operation down to a 1.4-V supply and is stable at unity gain.

These devices have internal electrostatic-discharge (ESD) protection circuits that prevent catastrophic failures at voltages up to 2000 V as tested under MIL-STD-883C, Method 3015.1. However, care should be exercised in handling these devices as exposure to ESD may result in a degradation of the device parametric performance.

Because of the extremely high input impedance and low input bias and offset currents, applications for the TLC251C series include many areas that have previously been limited to BIFET and NFET product types. Any circuit using high-impedance elements and requiring small offset errors is a good candidate for cost-effective use of these devices. Many features associated with bipolar technology are available with LinCMOS™ operational amplifiers without the power penalties of traditional bipolar devices. Remote and inaccessible equipment applications are possible using the low-voltage and low-power capabilities of the TLC251C series.

In addition, by driving the bias-select input with a logic signal from a microprocessor, these operational amplifiers can have software-controlled performance and power consumption. The TLC251C series is well suited to solve the difficult problems associated with single battery and solar cell-powered applications.

The TLC251C series is characterized for operation from 0°C to 70°C.

## AVAILABLE OPTIONS

| T <sub>A</sub> | V <sub>IOmax</sub><br>AT 25°C | PACKAGED DEVICES     |                    | CHIP FORM<br>(Y) |
|----------------|-------------------------------|----------------------|--------------------|------------------|
|                |                               | SMALL OUTLINE<br>(D) | PLASTIC DIP<br>(P) |                  |
| 0°C to 70°C    | 10 mV                         | TLC251CD             | TLC251CP           | TLC251Y          |
|                | 5 mV                          | TLC251ACD            | TLC251ACP          | —                |
|                | 2 mV                          | TLC251BCD            | TLC251BCP          | —                |

The D package is available taped and reeled. Add the suffix R to the device type (e.g., TLC251CDR). Chips are tested at 25°C.

LinCMOS is a trademark of Texas Instruments.

PRODUCTION DATA information is current as of publication date. Products conform to specifications per the terms of Texas Instruments standard warranty. Production processing does not necessarily include testing of all parameters.



POST OFFICE BOX 655303 • DALLAS, TEXAS 75265

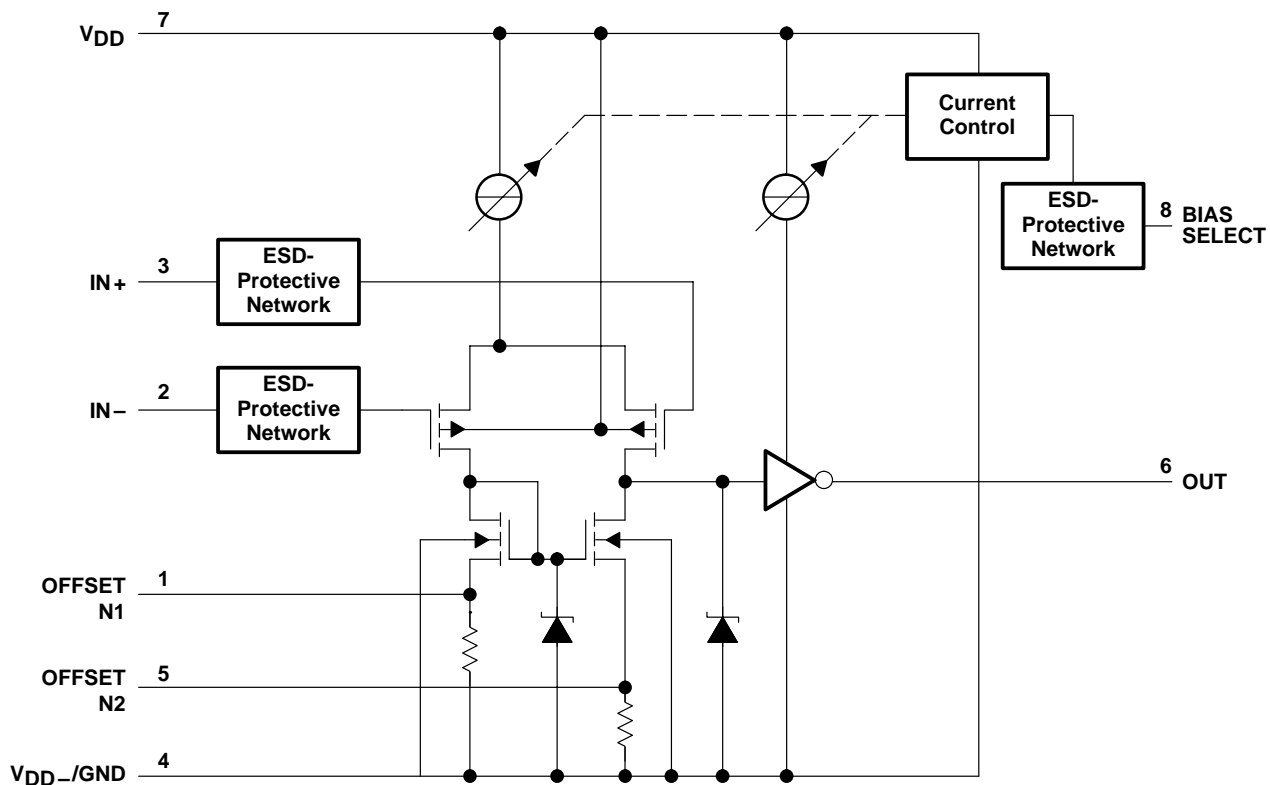
Copyright © 2001, Texas Instruments Incorporated

# TLC251, TLC251A, TLC251B, TLC251Y

## LinCMOS™ PROGRAMMABLE LOW-POWER OPERATIONAL AMPLIFIERS

SLOS001F – JULY 1983 – REVISED MARCH 2001

### schematic

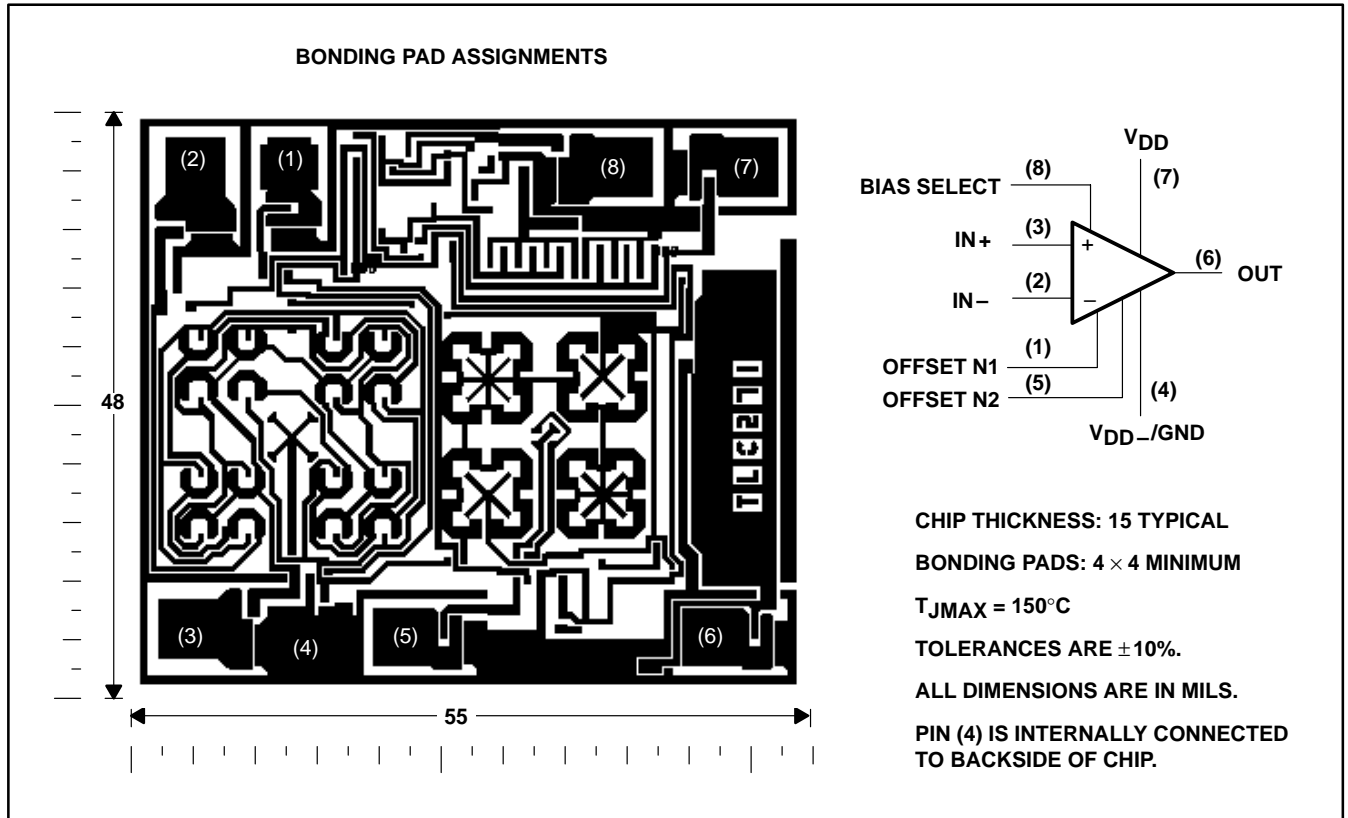


TLC251, TLC251A, TLC251B, TLC251Y  
**LinCMOS™ PROGRAMMABLE  
 LOW-POWER OPERATIONAL AMPLIFIERS**

SLOS001F – JULY 1983 – REVISED MARCH 2001

**TLC251Y chip information**

These chips, properly assembled, display characteristics similar to the TLC251C. Thermal compression or ultrasonic bonding may be used on the doped-aluminum bonding pads. Chips may be mounted with conductive epoxy or a gold-silicon preform.



**TLC251, TLC251A, TLC251B, TLC251Y**  
**LinCMOS™ PROGRAMMABLE**  
**LOW-POWER OPERATIONAL AMPLIFIERS**

SLOS001F – JULY 1983 – REVISED MARCH 2001

**absolute maximum ratings over operating free-air temperature range (unless otherwise noted)†**

|  |                              |
|--|------------------------------|
| Supply voltage, $V_{DD}$ (see Note 1)  | 18 V                         |
| Differential input voltage, $V_{ID}$ (see Note 2)                              | $\pm 18$ V                   |
| Input voltage range, $V_I$ (any input)   | -0.3 V to 18 V               |
| Duration of short circuit at (or below) 25°C free-air temperature (see Note 3) | unlimited                    |
| Continuous total dissipation   | See Dissipation Rating Table |
| Operating free-air temperature range, $T_A$                                    | 0°C to 70°C                  |
| Storage temperature range  | -65°C to 150°C               |
| Lead temperature 1,6 mm (1/16 inch) from case for 10 seconds                   | 260°C                        |

† Stresses beyond those listed under “absolute maximum ratings” may cause permanent damage to the device. These are stress ratings only, and functional operation of the device at these or any other conditions beyond those indicated under “recommended operating conditions” is not implied. Exposure to absolute-maximum-rated conditions for extended periods may affect device reliability.

- NOTES: 1. All voltage values, except differential voltages, are with respect to  $V_{DD-}/GND$ .  
 2. Differential voltages are at  $IN+$  with respect to  $IN-$ .  
 3. The output may be shorted to either supply. Temperature and/or supply voltages must be limited to ensure the maximum dissipation rating is not exceeded.

**DISSIPATION RATING TABLE**

| PACKAGE | $T_A \leq 25^\circ\text{C}$<br>POWER RATING | DERATING FACTOR<br>ABOVE $T_A = 25^\circ\text{C}$ | $T_A = 70^\circ\text{C}$<br>POWER RATING |
|---------|---|---|--|
| D       | 725 mW                                      | 5.8 mW/°C   | 464 mW                                   |
| P       | 1000 mW                                     | 8.0 mW/°C   | 640 mW                                   |

**recommended operating conditions**

|                                       |                  | MIN                         | MAX | UNIT |
|---------------------------------------|------------------|-----------------------------|-----|------|
| Supply voltage, $V_{DD}$              |                  | 1.4                         | 16  | V    |
| Common-mode input voltage, $V_{IC}$   | $V_{DD} = 1.4$ V | 0                           | 0.2 | V    |
|                                       | $V_{DD} = 5$ V   | -0.2                        | 4   |      |
|                                       | $V_{DD} = 10$ V  | -0.2                        | 9   |      |
|                                       | $V_{DD} = 16$ V  | -0.2                        | 14  |      |
| Operating free-air temperature, $T_A$ |                  | 0                           | 70  | °C   |
| Bias-select voltage                   |                  | See Application Information |     |      |



**TLC251, TLC251A, TLC251B, TLC251Y**  
**LinCMOS™ PROGRAMMABLE**  
**LOW-POWER OPERATIONAL AMPLIFIERS**

SLOS001F – JULY 1983 – REVISED MARCH 2001

**HIGH-BIAS MODE**

**electrical characteristics at specified free-air temperature**

| PARAMETER           |  | TEST CONDITIONS  | T <sub>A</sub> †  | TLC251C, TLC251AC, TLC251BC |             |             |                        |       |     | UNIT |
|---------------------|--|--|---|-----------------------------|-------------|-------------|------------------------|-------|-----|------|
|                     |  |  |   | V <sub>DD</sub> = 5 V       |             |             | V <sub>DD</sub> = 10 V |       |     |      |
|                     |  |  |   | MIN                         | TYP         | MAX         | MIN                    | TYP   | MAX |      |
| V <sub>IO</sub>     | Input offset voltage   | TLC251C<br>TLC251AC<br>TLC251BC  | V <sub>O</sub> = 1.4 V,<br>V <sub>IC</sub> = 0 V,<br>R <sub>S</sub> = 50 Ω,<br>R <sub>L</sub> = 10 kΩ | 25°C                        | 1.1 10      |             | 1.1 10                 |       | mV  |      |
|                     |  |  |   | Full range                  | 12          |             | 12                     |       |     |      |
|                     |  |  |   | 25°C                        | 0.9 5       |             | 0.9 5                  |       |     |      |
|                     |  |  |   | Full range                  | 6.5         |             | 6.5                    |       |     |      |
|                     |  |  |   | 25°C                        | 0.34 2      |             | 0.39 2                 |       |     |      |
|                     |  |  |   | Full range                  | 3           |             | 3                      |       |     |      |
| α <sub>VIO</sub>    | Average temperature coefficient of input offset voltage              |  | 25°C to 70°C  | 1.8                         |             | 2           |                        | μV/°C |     |      |
| I <sub>IO</sub>     | Input offset current (see Note 4)                                    | V <sub>O</sub> = V <sub>DD</sub> /2,<br>V <sub>IC</sub> = V <sub>DD</sub> /2             | 25°C  | 0.1 60                      |             | 0.1 60      |                        | pA    |     |      |
|                     |  |  | 70°C  | 7 300                       |             | 7 300       |                        |       |     |      |
| I <sub>IB</sub>     | Input bias current (see Note 4)                                      | V <sub>O</sub> = V <sub>DD</sub> /2,<br>V <sub>IC</sub> = V <sub>DD</sub> /2             | 25°C  | 0.6 60                      |             | 0.7 60      |                        | pA    |     |      |
|                     |  |  | 70°C  | 40 600                      |             | 50 600      |                        |       |     |      |
| V <sub>ICR</sub>    | Common-mode input voltage range (see Note 5)                         |  | 25°C  | -0.2 to 4                   | -0.3 to 4.2 | -0.2 to 9   | -0.3 to 9.2            | V     |     |      |
|                     |  |  | Full range  | -0.2 to 3.5                 |             | -0.2 to 8.5 |                        | V     |     |      |
| V <sub>OH</sub>     | High-level output voltage  | V <sub>ID</sub> = 100 mV,<br>R <sub>L</sub> = 10 kΩ                                      | 25°C  | 3.2                         | 3.8         | 8           | 8.5                    | V     |     |      |
|                     |  |  | 0°C   | 3                           | 3.8         | 7.8         | 8.5                    |       |     |      |
|                     |  |  | 70°C  | 3                           | 3.8         | 7.8         | 8.4                    |       |     |      |
| V <sub>OL</sub>     | Low-level output voltage   | V <sub>ID</sub> = -100 mV,<br>I <sub>OL</sub> = 0  | 25°C  | 0 50                        |             | 0 50        |                        | mV    |     |      |
|                     |  |  | 0°C   | 0 50                        |             | 0 50        |                        |       |     |      |
|                     |  |  | 70°C  | 0 50                        |             | 0 50        |                        |       |     |      |
| A <sub>VD</sub>     | Large-signal differential voltage amplification                      | R <sub>L</sub> = 10 kΩ,<br>See Note 6  | 25°C  | 5                           | 23          | 10          | 36                     | V/mV  |     |      |
|                     |  |  | 0°C   | 4                           | 27          | 7.5         | 42                     |       |     |      |
|                     |  |  | 70°C  | 4                           | 20          | 7.5         | 32                     |       |     |      |
| CMRR                | Common-mode rejection ratio  | V <sub>IC</sub> = V <sub>ICRmin</sub>  | 25°C  | 65                          | 80          | 65          | 85                     | dB    |     |      |
|                     |  |  | 0°C   | 60                          | 84          | 60          | 88                     |       |     |      |
|                     |  |  | 70°C  | 60                          | 85          | 60          | 88                     |       |     |      |
| k <sub>SVR</sub>    | Supply-voltage rejection ratio (ΔV <sub>DD</sub> /ΔV <sub>IO</sub> ) | V <sub>DD</sub> = 5 V to 10 V,<br>V <sub>O</sub> = 1.4 V                                 | 25°C  | 65                          | 95          | 65          | 95                     | dB    |     |      |
|                     |  |  | 0°C   | 60                          | 94          | 60          | 94                     |       |     |      |
|                     |  |  | 70°C  | 60                          | 96          | 60          | 96                     |       |     |      |
| I <sub>I(SEL)</sub> | Input current (BIAS SELECT)  | V <sub>I(SEL)</sub> = 0  | 25°C  | -1.4                        |             | -1.9        |                        | μA    |     |      |
| I <sub>DD</sub>     | Supply current   | V <sub>O</sub> = V <sub>DD</sub> /2,<br>V <sub>IC</sub> = V <sub>DD</sub> /2,<br>No load | 25°C  | 675                         | 1600        | 950         | 2000                   | μA    |     |      |
|                     |  |  | 0°C   | 775                         | 1800        | 1125        | 2200                   |       |     |      |
|                     |  |  | 70°C  | 575                         | 1300        | 750         | 1700                   |       |     |      |

† Full range is 0°C to 70°C.

- NOTES:
4. The typical values of input bias current and input offset current below 5 pA were determined mathematically.
  5. This range also applies to each input individually.
  6. At V<sub>DD</sub> = 5 V, V<sub>O</sub> = 0.25 V to 2 V; at V<sub>DD</sub> = 10 V, V<sub>O</sub> = 1 V to 6 V.



**TLC251, TLC251A, TLC251B, TLC251Y**  
**LinCMOS™ PROGRAMMABLE**  
**LOW-POWER OPERATIONAL AMPLIFIERS**

SLOS001F – JULY 1983 – REVISED MARCH 2001

**HIGH-BIAS MODE**

**operating characteristics,  $V_{DD} = 5\text{ V}$**

| PARAMETER                               | TEST CONDITIONS   | $T_A$                      | TLC251C, TLC251AC, TLC251BC |     |                        | UNIT       |
|---|---|----------------------------|-----------------------------|-----|------------------------|------------|
|   |   |                            | MIN                         | TYP | MAX                    |            |
| SR Slew rate at unity gain              | $R_L = 10\text{ k}\Omega$ , $C_L = 20\text{ pF}$                  | $V_{I(PP)} = 1\text{ V}$   | 25°C                        | 3.6 |                        | V/ $\mu$ s |
|   |   |                            | 0°C                         | 4   |                        |            |
|   |   |                            | 70°C                        | 3   |                        |            |
|   |   | $V_{I(PP)} = 2.5\text{ V}$ | 25°C                        | 2.9 |                        |            |
|   |   |                            | 0°C                         | 3.1 |                        |            |
|   |   |                            | 70°C                        | 2.5 |                        |            |
| $V_n$ Equivalent input noise voltage    | $f = 1\text{ kHz}$ , $R_S = 20\ \Omega$                           | 25°C                       | 25                          |     | nV/ $\sqrt{\text{Hz}}$ |            |
| $B_{OM}$ Maximum output-swing bandwidth | $V_O = V_{OH}$ , $C_L = 20\text{ pF}$ , $R_L = 10\text{ k}\Omega$ | 25°C                       | 320                         |     | kHz                    |            |
|   |   | 0°C                        | 340                         |     |                        |            |
|   |   | 70°C                       | 260                         |     |                        |            |
| $B_1$ Unity-gain bandwidth              | $V_I = 10\text{ mV}$ , $C_L = 20\text{ pF}$                       | 25°C                       | 1.7                         |     | MHz                    |            |
|   |   | 0°C                        | 2                           |     |                        |            |
|   |   | 70°C                       | 1.3                         |     |                        |            |
| $\phi_m$ Phase margin                   | $V_I = 10\text{ mV}$ , $f = B_1$ , $C_L = 20\text{ pF}$           | 25°C                       | 46°                         |     |                        |            |
|   |   | 0°C                        | 47°                         |     |                        |            |
|   |   | 70°C                       | 44°                         |     |                        |            |

**operating characteristics,  $V_{DD} = 10\text{ V}$**

| PARAMETER                               | TEST CONDITIONS   | $T_A$                      | TLC251C, TLC251AC, TLC251BC |     |                        | UNIT       |
|---|---|----------------------------|-----------------------------|-----|------------------------|------------|
|   |   |                            | MIN                         | TYP | MAX                    |            |
| SR Slew rate at unity gain              | $R_L = 10\text{ k}\Omega$ , $C_L = 20\text{ pF}$                  | $V_{I(PP)} = 1\text{ V}$   | 25°C                        | 5.3 |                        | V/ $\mu$ s |
|   |   |                            | 0°C                         | 5.9 |                        |            |
|   |   |                            | 70°C                        | 4.3 |                        |            |
|   |   | $V_{I(PP)} = 5.5\text{ V}$ | 25°C                        | 4.6 |                        |            |
|   |   |                            | 0°C                         | 5.1 |                        |            |
|   |   |                            | 70°C                        | 3.8 |                        |            |
| $V_n$ Equivalent input noise voltage    | $f = 1\text{ kHz}$ , $R_S = 20\ \Omega$                           | 25°C                       | 25                          |     | nV/ $\sqrt{\text{Hz}}$ |            |
| $B_{OM}$ Maximum output-swing bandwidth | $V_O = V_{OH}$ , $C_L = 20\text{ pF}$ , $R_L = 10\text{ k}\Omega$ | 25°C                       | 200                         |     | kHz                    |            |
|   |   | 0°C                        | 220                         |     |                        |            |
|   |   | 70°C                       | 140                         |     |                        |            |
| $B_1$ Unity-gain bandwidth              | $V_I = 10\text{ mV}$ , $C_L = 20\text{ pF}$                       | 25°C                       | 2.2                         |     | MHz                    |            |
|   |   | 0°C                        | 2.5                         |     |                        |            |
|   |   | 70°C                       | 1.8                         |     |                        |            |
| $\phi_m$ Phase margin                   | $V_I = 10\text{ mV}$ , $f = B_1$ , $C_L = 20\text{ pF}$           | 25°C                       | 49°                         |     |                        |            |
|   |   | 0°C                        | 50°                         |     |                        |            |
|   |   | 70°C                       | 46°                         |     |                        |            |



**TLC251, TLC251A, TLC251B, TLC251Y**  
**LinCMOS™ PROGRAMMABLE**  
**LOW-POWER OPERATIONAL AMPLIFIERS**

SLOS001F – JULY 1983 – REVISED MARCH 2001

**MEDIUM-BIAS MODE**

**electrical characteristics at specified free-air temperature**

| PARAMETER           |  | TEST CONDITIONS  | T <sub>A</sub> †  | TLC251C, TLC251AC, TLC251BC |             |             |                        |       |     | UNIT |
|---------------------|--|--|---|-----------------------------|-------------|-------------|------------------------|-------|-----|------|
|                     |  |  |   | V <sub>DD</sub> = 5 V       |             |             | V <sub>DD</sub> = 10 V |       |     |      |
|                     |  |  |   | MIN                         | TYP         | MAX         | MIN                    | TYP   | MAX |      |
| V <sub>IO</sub>     | Input offset voltage   | TLC251C<br>TLC251AC<br>TLC251BC  | V <sub>O</sub> = 1.4 V,<br>V <sub>IC</sub> = 0 V,<br>R <sub>S</sub> = 50 Ω,<br>R <sub>L</sub> = 10 kΩ | 25°C                        | 1.1 10      |             | 1.1 10                 |       | mV  |      |
|                     |  |  |   | Full range                  | 12          |             | 12                     |       |     |      |
|                     |  |  |   | 25°C                        | 0.9 5       |             | 0.9 5                  |       |     |      |
|                     |  |  |   | Full range                  | 6.5         |             | 6.5                    |       |     |      |
|                     |  |  |   | 25°C                        | 0.34 2      |             | 0.39 2                 |       |     |      |
|                     |  |  |   | Full range                  | 3           |             | 3                      |       |     |      |
| α <sub>VIO</sub>    | Average temperature coefficient of input offset voltage              |  | 25°C to 70°C  | 1.7                         |             | 2.1         |                        | μV/°C |     |      |
| I <sub>IO</sub>     | Input offset current (see Note 4)                                    | V <sub>O</sub> = V <sub>DD</sub> /2,<br>V <sub>IC</sub> = V <sub>DD</sub> /2             | 25°C  | 0.1 60                      |             | 0.1 60      |                        | pA    |     |      |
|                     |  |  | 70°C  | 7 300                       |             | 7 300       |                        |       |     |      |
| I <sub>IB</sub>     | Input bias current (see Note 4)                                      | V <sub>O</sub> = V <sub>DD</sub> /2,<br>V <sub>IC</sub> = V <sub>DD</sub> /2             | 25°C  | 0.6 60                      |             | 0.7 60      |                        | pA    |     |      |
|                     |  |  | 70°C  | 40 600                      |             | 50 600      |                        |       |     |      |
| V <sub>ICR</sub>    | Common-mode input voltage range (see Note 5)                         |  | 25°C  | -0.2 to 4                   | -0.3 to 4.2 | -0.2 to 9   | -0.3 to 9.2            | V     |     |      |
|                     |  |  | Full range  | -0.2 to 3.5                 |             | -0.2 to 8.5 |                        | V     |     |      |
| V <sub>OH</sub>     | High-level output voltage  | V <sub>ID</sub> = 100 mV,<br>R <sub>L</sub> = 10 kΩ                                      | 25°C  | 3.2                         | 3.9         | 8           | 8.7                    | V     |     |      |
|                     |  |  | 0°C   | 3                           | 3.9         | 7.8         | 8.7                    |       |     |      |
|                     |  |  | 70°C  | 3                           | 4           | 7.8         | 8.7                    |       |     |      |
| V <sub>OL</sub>     | Low-level output voltage   | V <sub>ID</sub> = -100 mV,<br>I <sub>OL</sub> = 0  | 25°C  | 0 50                        |             | 0 50        |                        | mV    |     |      |
|                     |  |  | 0°C   | 0 50                        |             | 0 50        |                        |       |     |      |
|                     |  |  | 70°C  | 0 50                        |             | 0 50        |                        |       |     |      |
| A <sub>VD</sub>     | Large-signal differential voltage amplification                      | R <sub>L</sub> = 10 kΩ,<br>See Note 6  | 25°C  | 25                          | 170         | 25          | 275                    | V/mV  |     |      |
|                     |  |  | 0°C   | 15                          | 200         | 15          | 320                    |       |     |      |
|                     |  |  | 70°C  | 15                          | 140         | 15          | 230                    |       |     |      |
| CMRR                | Common-mode rejection ratio  | V <sub>IC</sub> = V <sub>ICRmin</sub>  | 25°C  | 65                          | 91          | 65          | 94                     | dB    |     |      |
|                     |  |  | 0°C   | 60                          | 91          | 60          | 94                     |       |     |      |
|                     |  |  | 70°C  | 60                          | 92          | 60          | 94                     |       |     |      |
| k <sub>SVR</sub>    | Supply-voltage rejection ratio (ΔV <sub>DD</sub> /ΔV <sub>IO</sub> ) | V <sub>DD</sub> = 5 V to 10 V,<br>V <sub>O</sub> = 1.4 V                                 | 25°C  | 70                          | 93          | 70          | 93                     | dB    |     |      |
|                     |  |  | 0°C   | 60                          | 92          | 60          | 92                     |       |     |      |
|                     |  |  | 70°C  | 60                          | 94          | 60          | 94                     |       |     |      |
| I <sub>I(SEL)</sub> | Input current (BIAS SELECT)  | V <sub>I(SEL)</sub> = V <sub>DD</sub> /2   | 25°C  | -130                        |             | -160        |                        | nA    |     |      |
| I <sub>DD</sub>     | Supply current   | V <sub>O</sub> = V <sub>DD</sub> /2,<br>V <sub>IC</sub> = V <sub>DD</sub> /2,<br>No load | 25°C  | 105                         | 280         | 143         | 300                    | μA    |     |      |
|                     |  |  | 0°C   | 125                         | 320         | 173         | 400                    |       |     |      |
|                     |  |  | 70°C  | 85                          | 220         | 110         | 280                    |       |     |      |

† Full range is 0°C to 70°C.

- NOTES:
4. The typical values of input bias current and input offset current below 5 pA were determined mathematically.
  5. This range also applies to each input individually.
  6. At V<sub>DD</sub> = 5 V, V<sub>O</sub> = 0.25 V to 2 V; at V<sub>DD</sub> = 10 V, V<sub>O</sub> = 1 V to 6 V.



**TLC251, TLC251A, TLC251B, TLC251Y**  
**LinCMOS™ PROGRAMMABLE**  
**LOW-POWER OPERATIONAL AMPLIFIERS**

SLOS001F – JULY 1983 – REVISED MARCH 2001

**MEDIUM-BIAS MODE**

**operating characteristics,  $V_{DD} = 5\text{ V}$**

| PARAMETER                               | TEST CONDITIONS  | $T_A$                      | TLC251C, TLC251AC, TLC251BC |      |                        | UNIT       |
|---|--|----------------------------|-----------------------------|------|------------------------|------------|
|   |  |                            | MIN                         | TYP  | MAX                    |            |
| SR Slew rate at unity gain              | $R_L = 100\text{ k}\Omega$ , $C_L = 20\text{ pF}$                  | $V_{I(PP)} = 1\text{ V}$   | 25°C                        | 0.43 |                        | V/ $\mu$ s |
|   |  |                            | 0°C                         | 0.46 |                        |            |
|   |  |                            | 70°C                        | 0.36 |                        |            |
|   |  | $V_{I(PP)} = 2.5\text{ V}$ | 25°C                        | 0.40 |                        |            |
|   |  |                            | 0°C                         | 0.43 |                        |            |
|   |  |                            | 70°C                        | 0.34 |                        |            |
| $V_n$ Equivalent input noise voltage    | $f = 1\text{ kHz}$ , $R_S = 20\ \Omega$                            | 25°C                       | 32                          |      | nV/ $\sqrt{\text{Hz}}$ |            |
| $B_{OM}$ Maximum output-swing bandwidth | $V_O = V_{OH}$ , $C_L = 20\text{ pF}$ , $R_L = 100\text{ k}\Omega$ | 25°C                       | 55                          |      | kHz                    |            |
|   |  | 0°C                        | 60                          |      |                        |            |
|   |  | 70°C                       | 50                          |      |                        |            |
| $B_1$ Unity-gain bandwidth              | $V_I = 10\text{ mV}$ , $C_L = 20\text{ pF}$                        | 25°C                       | 525                         |      | kHz                    |            |
|   |  | 0°C                        | 600                         |      |                        |            |
|   |  | 70°C                       | 400                         |      |                        |            |
| $\phi_m$ Phase margin                   | $V_I = 10\text{ mV}$ , $f = B_1$ , $C_L = 20\text{ pF}$            | 25°C                       | 40°                         |      |                        |            |
|   |  | 0°C                        | 41°                         |      |                        |            |
|   |  | 70°C                       | 39°                         |      |                        |            |

**operating characteristics,  $V_{DD} = 10\text{ V}$**

| PARAMETER                               | TEST CONDITIONS  | $T_A$                      | TLC251C, TLC251AC, TLC251BC |      |                        | UNIT       |
|---|--|----------------------------|-----------------------------|------|------------------------|------------|
|   |  |                            | MIN                         | TYP  | MAX                    |            |
| SR Slew rate at unity gain              | $R_L = 100\text{ k}\Omega$ , $C_L = 20\text{ pF}$                  | $V_{I(PP)} = 1\text{ V}$   | 25°C                        | 0.62 |                        | V/ $\mu$ s |
|   |  |                            | 0°C                         | 0.67 |                        |            |
|   |  |                            | 70°C                        | 0.51 |                        |            |
|   |  | $V_{I(PP)} = 5.5\text{ V}$ | 25°C                        | 0.56 |                        |            |
|   |  |                            | 0°C                         | 0.61 |                        |            |
|   |  |                            | 70°C                        | 0.46 |                        |            |
| $V_n$ Equivalent input noise voltage    | $f = 1\text{ kHz}$ , $R_S = 20\ \Omega$                            | 25°C                       | 32                          |      | nV/ $\sqrt{\text{Hz}}$ |            |
| $B_{OM}$ Maximum output-swing bandwidth | $V_O = V_{OH}$ , $C_L = 20\text{ pF}$ , $R_L = 100\text{ k}\Omega$ | 25°C                       | 35                          |      | kHz                    |            |
|   |  | 0°C                        | 40                          |      |                        |            |
|   |  | 70°C                       | 30                          |      |                        |            |
| $B_1$ Unity-gain bandwidth              | $V_I = 10\text{ mV}$ , $C_L = 20\text{ pF}$                        | 25°C                       | 635                         |      | kHz                    |            |
|   |  | 0°C                        | 710                         |      |                        |            |
|   |  | 70°C                       | 510                         |      |                        |            |
| $\phi_m$ Phase margin                   | $V_I = 10\text{ mV}$ , $f = B_1$ , $C_L = 20\text{ pF}$            | 25°C                       | 43°                         |      |                        |            |
|   |  | 0°C                        | 44°                         |      |                        |            |
|   |  | 70°C                       | 42°                         |      |                        |            |



**TLC251, TLC251A, TLC251B, TLC251Y**  
**LinCMOS™ PROGRAMMABLE**  
**LOW-POWER OPERATIONAL AMPLIFIERS**

SLOS001F – JULY 1983 – REVISED MARCH 2001

**LOW-BIAS MODE**

**electrical characteristics at specified free-air temperature**

| PARAMETER           |  | TEST CONDITIONS  | T <sub>A</sub> †  | TLC251C, TLC251AC, TLC251BC |             |             |                        |       |     | UNIT |
|---------------------|--|--|---|-----------------------------|-------------|-------------|------------------------|-------|-----|------|
|                     |  |  |   | V <sub>DD</sub> = 5 V       |             |             | V <sub>DD</sub> = 10 V |       |     |      |
|                     |  |  |   | MIN                         | TYP         | MAX         | MIN                    | TYP   | MAX |      |
| V <sub>IO</sub>     | Input offset voltage   | TLC251C<br>TLC251AC<br>TLC251BC  | V <sub>O</sub> = 1.4 V,<br>V <sub>IC</sub> = 0 V,<br>R <sub>S</sub> = 50 Ω,<br>R <sub>L</sub> = 10 MΩ | 25°C                        | 1.1 10      |             | 1.1 10                 |       | mV  |      |
|                     |  |  |   | Full range                  | 12          |             | 12                     |       |     |      |
|                     |  |  |   | 25°C                        | 0.9 5       |             | 0.9 5                  |       |     |      |
|                     |  |  |   | Full range                  | 6.5         |             | 6.5                    |       |     |      |
|                     |  |  |   | 25°C                        | 0.24 2      |             | 0.26 2                 |       |     |      |
|                     |  |  |   | Full range                  | 3           |             | 3                      |       |     |      |
| α <sub>VIO</sub>    | Average temperature coefficient of input offset voltage              |  | 25°C to 70°C  | 1.1                         |             | 1           |                        | μV/°C |     |      |
| I <sub>IO</sub>     | Input offset current (see Note 4)                                    | V <sub>O</sub> = V <sub>DD</sub> /2,<br>V <sub>IC</sub> = V <sub>DD</sub> /2             | 25°C  | 0.1 60                      |             | 0.1 60      |                        | pA    |     |      |
|                     |  |  | 70°C  | 7 300                       |             | 7 300       |                        |       |     |      |
| I <sub>IB</sub>     | Input bias current (see Note 4)                                      | V <sub>O</sub> = V <sub>DD</sub> /2,<br>V <sub>IC</sub> = V <sub>DD</sub> /2             | 25°C  | 0.6 60                      |             | 0.7 60      |                        | pA    |     |      |
|                     |  |  | 70°C  | 40 600                      |             | 50 600      |                        |       |     |      |
| V <sub>ICR</sub>    | Common-mode input voltage range (see Note 5)                         |  | 25°C  | -0.2 to 4                   | -0.3 to 4.2 | -0.2 to 9   | -0.3 to 9.2            | V     |     |      |
|                     |  |  | Full range  | -0.2 to 3.5                 |             | -0.2 to 8.5 |                        | V     |     |      |
| V <sub>OH</sub>     | High-level output voltage  | V <sub>ID</sub> = 100 mV,<br>R <sub>L</sub> = 1 MΩ                                       | 25°C  | 3.2 4.1                     |             | 8 8.9       |                        | V     |     |      |
|                     |  |  | 0°C   | 3 4.1                       |             | 7.8 8.9     |                        |       |     |      |
|                     |  |  | 70°C  | 3 4.2                       |             | 7.8 8.9     |                        |       |     |      |
| V <sub>OL</sub>     | Low-level output voltage   | V <sub>ID</sub> = -100 mV,<br>I <sub>OL</sub> = 0  | 25°C  | 0 50                        |             | 0 50        |                        | mV    |     |      |
|                     |  |  | 0°C   | 0 50                        |             | 0 50        |                        |       |     |      |
|                     |  |  | 70°C  | 0 50                        |             | 0 50        |                        |       |     |      |
| A <sub>VD</sub>     | Large-signal differential voltage amplification                      | R <sub>L</sub> = 1 MΩ,<br>See Note 6   | 25°C  | 50 520                      |             | 50 870      |                        | V/mV  |     |      |
|                     |  |  | 0°C   | 50 700                      |             | 50 1030     |                        |       |     |      |
|                     |  |  | 70°C  | 50 380                      |             | 50 660      |                        |       |     |      |
| CMRR                | Common-mode rejection ratio  | V <sub>IC</sub> = V <sub>ICRmin</sub>  | 25°C  | 65 94                       |             | 65 97       |                        | dB    |     |      |
|                     |  |  | 0°C   | 60 95                       |             | 60 97       |                        |       |     |      |
|                     |  |  | 70°C  | 60 95                       |             | 60 97       |                        |       |     |      |
| k <sub>SVR</sub>    | Supply-voltage rejection ratio (ΔV <sub>DD</sub> /ΔV <sub>IO</sub> ) | V <sub>DD</sub> = 5 V to 10 V,<br>V <sub>O</sub> = 1.4 V                                 | 25°C  | 70 97                       |             | 70 97       |                        | dB    |     |      |
|                     |  |  | 0°C   | 60 97                       |             | 60 97       |                        |       |     |      |
|                     |  |  | 70°C  | 60 98                       |             | 60 98       |                        |       |     |      |
| I <sub>I(SEL)</sub> | Input current (BIAS SELECT)  | V <sub>I(SEL)</sub> = V <sub>DD</sub>  | 25°C  | 65                          |             | 95          |                        | nA    |     |      |
| I <sub>DD</sub>     | Supply current   | V <sub>O</sub> = V <sub>DD</sub> /2,<br>V <sub>IC</sub> = V <sub>DD</sub> /2,<br>No load | 25°C  | 10 17                       |             | 14 23       |                        | μA    |     |      |
|                     |  |  | 0°C   | 12 21                       |             | 18 33       |                        |       |     |      |
|                     |  |  | 70°C  | 8 14                        |             | 11 20       |                        |       |     |      |

† Full range is 0°C to 70°C.

- NOTES:
4. The typical values of input bias current and input offset current below 5 pA were determined mathematically.
  5. This range also applies to each input individually.
  6. At V<sub>DD</sub> = 5 V, V<sub>O</sub> = 0.25 V to 2 V; at V<sub>DD</sub> = 10 V, V<sub>O</sub> = 1 V to 6 V.



**TLC251, TLC251A, TLC251B, TLC251Y**  
**LinCMOS™ PROGRAMMABLE**  
**LOW-POWER OPERATIONAL AMPLIFIERS**

SLOS001F – JULY 1983 – REVISED MARCH 2001

**LOW-BIAS MODE**

**operating characteristics,  $V_{DD} = 5\text{ V}$**

| PARAMETER                               | TEST CONDITIONS  | $T_A$                      | TLC251C, TLC251AC, TLC251BC |      |                        | UNIT       |
|---|--|----------------------------|-----------------------------|------|------------------------|------------|
|   |  |                            | MIN                         | TYP  | MAX                    |            |
| SR Slew rate at unity gain              | $R_L = 1\text{ M}\Omega$ , $C_L = 20\text{ pF}$                  | $V_{I(PP)} = 1\text{ V}$   | 25°C                        | 0.03 |                        | V/ $\mu$ s |
|   |  |                            | 0°C                         | 0.04 |                        |            |
|   |  |                            | 70°C                        | 0.03 |                        |            |
|   |  | $V_{I(PP)} = 2.5\text{ V}$ | 25°C                        | 0.03 |                        |            |
|   |  |                            | 0°C                         | 0.03 |                        |            |
|   |  |                            | 70°C                        | 0.02 |                        |            |
| $V_n$ Equivalent input noise voltage    | $f = 1\text{ kHz}$ , $R_S = 20\ \Omega$                          | 25°C                       | 68                          |      | nV/ $\sqrt{\text{Hz}}$ |            |
| $B_{OM}$ Maximum output-swing bandwidth | $V_O = V_{OH}$ , $C_L = 20\text{ pF}$ , $R_L = 1\text{ M}\Omega$ | 25°C                       | 5                           |      | kHz                    |            |
|   |  | 0°C                        | 6                           |      |                        |            |
|   |  | 70°C                       | 4.5                         |      |                        |            |
| $B_1$ Unity-gain bandwidth              | $V_I = 10\text{ mV}$ , $C_L = 20\text{ pF}$                      | 25°C                       | 85                          |      | kHz                    |            |
|   |  | 0°C                        | 100                         |      |                        |            |
|   |  | 70°C                       | 65                          |      |                        |            |
| $\phi_m$ Phase margin                   | $V_I = 10\text{ mV}$ , $f = B_1$ , $C_L = 20\text{ pF}$          | 25°C                       | 34°                         |      |                        |            |
|   |  | 0°C                        | 36°                         |      |                        |            |
|   |  | 70°C                       | 30°                         |      |                        |            |

**operating characteristics,  $V_{DD} = 10\text{ V}$**

| PARAMETER                               | TEST CONDITIONS  | $T_A$                      | TLC251C, TLC251AC, TLC251BC |      |                        | UNIT       |
|---|--|----------------------------|-----------------------------|------|------------------------|------------|
|   |  |                            | MIN                         | TYP  | MAX                    |            |
| SR Slew rate at unity gain              | $R_L = 1\text{ M}\Omega$ , $C_L = 20\text{ pF}$                  | $V_{I(PP)} = 1\text{ V}$   | 25°C                        | 0.05 |                        | V/ $\mu$ s |
|   |  |                            | 0°C                         | 0.05 |                        |            |
|   |  |                            | 70°C                        | 0.04 |                        |            |
|   |  | $V_{I(PP)} = 5.5\text{ V}$ | 25°C                        | 0.04 |                        |            |
|   |  |                            | 0°C                         | 0.05 |                        |            |
|   |  |                            | 70°C                        | 0.04 |                        |            |
| $V_n$ Equivalent input noise voltage    | $f = 1\text{ kHz}$ , $R_S = 20\ \Omega$                          | 25°C                       | 68                          |      | nV/ $\sqrt{\text{Hz}}$ |            |
| $B_{OM}$ Maximum output-swing bandwidth | $V_O = V_{OH}$ , $C_L = 20\text{ pF}$ , $R_L = 1\text{ M}\Omega$ | 25°C                       | 1                           |      | kHz                    |            |
|   |  | 0°C                        | 1.3                         |      |                        |            |
|   |  | 70°C                       | 0.9                         |      |                        |            |
| $B_1$ Unity-gain bandwidth              | $V_I = 10\text{ mV}$ , $C_L = 20\text{ pF}$                      | 25°C                       | 110                         |      | kHz                    |            |
|   |  | 0°C                        | 125                         |      |                        |            |
|   |  | 70°C                       | 90                          |      |                        |            |
| $\phi_m$ Phase margin                   | $V_I = 10\text{ mV}$ , $f = B_1$ , $C_L = 20\text{ pF}$          | 25°C                       | 38°                         |      |                        |            |
|   |  | 0°C                        | 40°                         |      |                        |            |
|   |  | 70°C                       | 34°                         |      |                        |            |



**TLC251, TLC251A, TLC251B, TLC251Y**  
**LinCMOS™ PROGRAMMABLE**  
**LOW-POWER OPERATIONAL AMPLIFIERS**

SLOS001F – JULY 1983 – REVISED MARCH 2001

**electrical characteristics at specified free-air temperature,  $V_{DD} = 1.4\text{ V}$**

| PARAMETER         |   | TEST CONDITIONS†  | $T_A$ ‡      | BIAS | TLC251C, TLC251AC, TLC251BC |     |     | UNIT                         |
|-------------------|---|---|--------------|------|-----------------------------|-----|-----|------------------------------|
|                   |   |   |              |      | MIN                         | TYP | MAX |                              |
| $V_{IO}$          | Input offset voltage                                    | $V_O = 0.2\text{ V}$ ,<br>$R_S = 50\ \Omega$                | 25°C         | Any  |                             |     |     | mV                           |
|                   |   |   |              |      | Full range                  |     |     |                              |
|                   |   |   | 25°C         | Any  |                             |     |     |                              |
|                   |   |   |              |      | Full range                  |     |     |                              |
|                   |   |   | 25°C         | Any  |                             |     |     |                              |
|                   |   |   |              |      | Full range                  |     |     |                              |
| $\alpha_{V_{IO}}$ | Average temperature coefficient of input offset voltage |   | 25°C to 70°C | Any  | 1                           |     |     | $\mu\text{V}/^\circ\text{C}$ |
| $I_{IO}$          | Input offset current                                    | $V_O = 0.2\text{ V}$  | 25°C         | Any  | 1 60                        |     |     | pA                           |
|                   |   |   | Full range   |      | 300                         |     |     |                              |
| $I_{IB}$          | Input bias current                                      | $V_O = 0.2\text{ V}$  | 25°C         | Any  | 1 60                        |     |     | pA                           |
|                   |   |   | Full range   |      | 600                         |     |     |                              |
| $V_{ICR}$         | Common-mode input voltage range                         |   | 25°C         | Any  | 0 to 0.2                    |     |     | V                            |
| $V_{OM}$          | Peak output voltage swing§                              | $V_{ID} = 100\text{ mV}$                                    | 25°C         | Any  | 450                         | 700 |     | mV                           |
| $A_{VD}$          | Large-signal differential voltage amplification         | $V_O = 100\text{ to }300\text{ mV}$ ,<br>$R_S = 50\ \Omega$ | 25°C         | Low  | 20                          |     |     |                              |
|                   |   |   |              | High | 10                          |     |     |                              |
| CMRR              | Common-mode rejection ratio                             | $R_S = 50\ \Omega$ ,<br>$V_{IC} = V_{ICR\text{min}}$        | 25°C         | Any  | 60                          | 77  |     | dB                           |
| $I_{DD}$          | Supply current  | $V_O = 0.2\text{ V}$ ,<br>No load                           | 25°C         | Low  | 5 17                        |     |     | $\mu\text{A}$                |
|                   |   |   |              | High | 150 190                     |     |     |                              |

† All characteristics are measured under open-loop conditions with zero common-mode input voltage unless otherwise specified. Unless otherwise noted, an output load resistor is connected from the output to ground and has the following values: for low bias,  $R_L = 1\text{ M}\Omega$ , for medium bias,  $R_L = 100\text{ k}\Omega$ , and for high bias,  $R_L = 10\text{ k}\Omega$ .

‡ Full range is 0°C to 70°C.

§ The output swings to the potential of  $V_{DD-}/\text{GND}$ .

**operating characteristics,  $V_{DD} = 1.4\text{ V}$ ,  $T_A = 25^\circ\text{C}$**

| PARAMETER |                         | TEST CONDITIONS       | BIAS | TLC251C, TLC251AC, TLC251BC |     |     | UNIT                   |
|-----------|-------------------------|-----------------------|------|-----------------------------|-----|-----|------------------------|
|           |                         |                       |      | MIN                         | TYP | MAX |                        |
| $B_1$     | Unity-gain bandwidth    | $C_L = 100\text{ pF}$ | Low  | 12                          |     |     | kHz                    |
|           |                         |                       | High | 12                          |     |     |                        |
| SR        | Slew rate at unity gain | See Figure 1          | Low  | 0.001                       |     |     | $\text{V}/\mu\text{s}$ |
|           |                         |                       | High | 0.1                         |     |     |                        |
|           | Overshoot factor        | See Figure 1          | Low  | 35%                         |     |     |                        |
|           |                         |                       | High | 30%                         |     |     |                        |



**TLC251, TLC251A, TLC251B, TLC251Y**  
**LinCMOS™ PROGRAMMABLE**  
**LOW-POWER OPERATIONAL AMPLIFIERS**

SLOS001F – JULY 1983 – REVISED MARCH 2001

**electrical characteristics,  $V_{DD} = 5\text{ V}$ ,  $T_A = 25^\circ\text{C}$**

| PARAMETER  | TEST CONDITIONS   | TLC251Y         |                   |      |                  |                   |       |                 |                   |     | UNIT                         |
|--|---|-----------------|-------------------|------|------------------|-------------------|-------|-----------------|-------------------|-----|------------------------------|
|  |   | HIGH-BIAS MODE  |                   |      | MEDIUM-BIAS MODE |                   |       | LOW-BIAS MODE   |                   |     |                              |
|  |   | MIN             | TYP               | MAX  | MIN              | TYP               | MAX   | MIN             | TYP               | MAX |                              |
| $V_{IO}$ Input offset voltage  | $V_O = 1.4\text{ V}$ ,<br>$V_{IC} = 0\text{ V}$ ,<br>$R_S = 50\ \Omega$ , $R_L^\dagger$ |                 | 1.1               | 10   |                  | 1.1               | 10    |                 | 1.1               | 10  | mV                           |
| $\alpha_{VIO}$ Average temperature coefficient of input offset voltage     |   |                 | 1.8               |      | 1.7              |                   | 1.1   |                 |                   |     | $\mu\text{V}/^\circ\text{C}$ |
| $I_{IO}$ Input offset current (see Note 4)                                 | $V_O = V_{DD}/2$ ,<br>$V_{IC} = V_{DD}/2$   |                 | 0.1               | 60   |                  | 0.1               | 60    |                 | 0.1               | 60  | pA                           |
| $I_{IB}$ Input bias current (see Note 4)                                   | $V_O = V_{DD}/2$ ,<br>$V_{IC} = V_{DD}/2$   |                 | 0.6               | 60   |                  | 0.6               | 60    |                 | 0.6               | 60  | pA                           |
| $V_{ICR}$ Common-mode input voltage range (see Note 5)                     |   | -0.2<br>to<br>4 | -0.3<br>to<br>4.2 |      | -0.2<br>to<br>4  | -0.3<br>to<br>4.2 |       | -0.2<br>to<br>4 | -0.3<br>to<br>4.2 |     | V                            |
| $V_{OH}$ High-level output voltage   | $V_{ID} = 100\text{ mV}$ ,<br>$R_L^\dagger$   | 3.2             | 3.8               |      | 3.2              | 3.9               |       | 3.2             | 4.1               |     | V                            |
| $V_{OL}$ Low-level output voltage  | $V_{ID} = -100\text{ mV}$ ,<br>$I_{OL} = 0$   |                 | 0                 | 50   |                  | 0                 | 50    |                 | 0                 | 50  | mV                           |
| $A_{VD}$ Large-signal differential voltage amplification                   | $V_O = 0.25\text{ V}$ ,<br>$R_L^\dagger$  | 5               | 23                |      | 25               | 170               |       | 50              | 480               |     | V/mV                         |
| CMRR Common-mode rejection ratio   | $V_{IC} = V_{ICRmin}$   | 65              | 80                |      | 65               | 91                |       | 65              | 94                |     | dB                           |
| $k_{SVR}$ Supply-voltage rejection ratio ( $\Delta V_{DD}/\Delta V_{IO}$ ) | $V_{DD} = 5\text{ V to }10\text{ V}$ ,<br>$V_O = 1.4\text{ V}$                          | 65              | 95                |      | 70               | 93                |       | 70              | 97                |     | dB                           |
| $I_{I(SEL)}$ Input current (BIAS SELECT)                                   | $V_{I(SEL)} = V_{DD}/2$   |                 | -1.4              |      | -0.13            |                   | 0.065 |                 |                   |     | $\mu\text{A}$                |
| $I_{DD}$ Supply current  | $V_O = V_{DD}/2$ ,<br>$V_{IC} = V_{DD}/2$ ,<br>No load                                  |                 | 675               | 1600 |                  | 105               | 280   |                 | 10                | 17  | $\mu\text{A}$                |

$^\dagger$  For high-bias mode,  $R_L = 10\text{ k}\Omega$ ; for medium-bias mode,  $R_L = 100\text{ k}\Omega$ ; and for low-bias mode,  $R_L = 1\text{ M}\Omega$ .

NOTES: 4. The typical values of input bias current and input offset current below 5 pA were determined mathematically.

5. This range also applies to each input individually.



operating characteristics,  $V_{DD} = 5\text{ V}$ ,  $T_A = 25^\circ\text{C}$

| PARAMETER       | TEST CONDITIONS  | TLC251Y                         |     |     |                  |     |     |               |     |     | UNIT                   |  |  |                  |
|-----------------|--|---------------------------------|-----|-----|------------------|-----|-----|---------------|-----|-----|------------------------|--|--|------------------|
|                 |  | HIGH-BIAS MODE                  |     |     | MEDIUM-BIAS MODE |     |     | LOW-BIAS MODE |     |     |                        |  |  |                  |
|                 |  | MIN                             | TYP | MAX | MIN              | TYP | MAX | MIN           | TYP | MAX |                        |  |  |                  |
| SR              | Slew rate at unity gain<br>$R_L^\dagger$ , $C_L = 20\text{ pF}$              | $V_I(\text{PP}) = 1\text{ V}$   |     |     | 3.6              |     |     | 0.43          |     |     | 0.03                   |  |  | V/ $\mu\text{s}$ |
|                 |  | $V_I(\text{PP}) = 2.5\text{ V}$ |     |     | 2.9              |     |     | 0.40          |     |     | 0.03                   |  |  |                  |
| $V_n$           | Equivalent input noise voltage<br>$f = 1\text{ kHz}$ , $R_S = 20\ \Omega$    | 25                              |     |     | 32               |     |     | 68            |     |     | nV/ $\sqrt{\text{Hz}}$ |  |  |                  |
| B <sub>OM</sub> | Maximum output swing bandwidth<br>$V_O = V_{OH}$ , $R_L = 10\text{ k}\Omega$ | $C_L = 20\text{ pF}$ ,<br>320   |     |     | 55               |     |     | 4.5           |     |     | kHz                    |  |  |                  |
| B <sub>1</sub>  | Unity-gain bandwidth<br>$V_I = 10\text{ mV}$ , $C_L = 20\text{ pF}$          | 1700                            |     |     | 525              |     |     | 65            |     |     | kHz                    |  |  |                  |
| $\phi_m$        | Phase margin<br>$f = B_1$ , $C_L = 20\text{ pF}$                             | $V_I = 10\text{ mV}$ ,<br>46°   |     |     | 40°              |     |     | 34°           |     |     |                        |  |  |                  |

† For high-bias mode,  $R_L = 10\text{ k}\Omega$ ; for medium-bias mode,  $R_L = 100\text{ k}\Omega$ ; and for low-bias mode,  $R_L = 1\text{ M}\Omega$ .

### PARAMETER MEASUREMENT INFORMATION

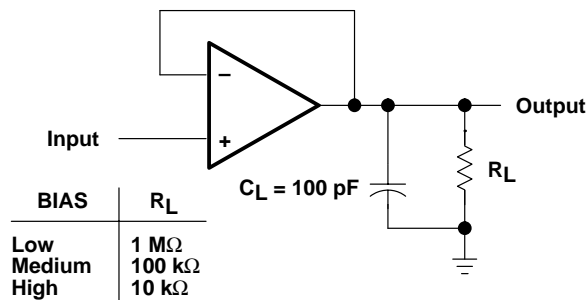


Figure 1. Unity-Gain Amplifier

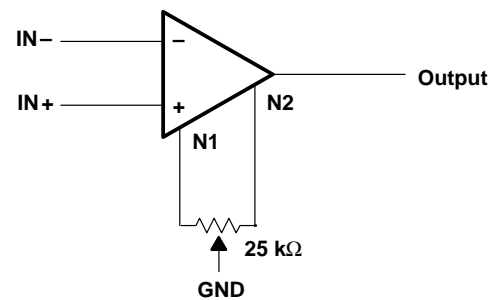


Figure 2. Input Offset Voltage Null Circuit

### TYPICAL CHARACTERISTICS

Table of Graphs

|          |   |                          | FIGURE |
|----------|---|--------------------------|--------|
| $I_{DD}$ | Supply current                                  | vs Bias-select voltage   | 3      |
|          |   | vs Supply voltage        | 4      |
|          |   | vs Free-air temperature  | 5      |
| $A_{VD}$ | Large-signal differential voltage amplification | Low bias vs Frequency    | 6      |
|          |   | Medium bias vs Frequency | 7      |
|          |   | High bias vs Frequency   | 8      |
|          | Phase shift                                     | Low bias vs Frequency    | 6      |
|          |   | Medium bias vs Frequency | 7      |
|          |   | High bias vs Frequency   | 8      |

**TYPICAL CHARACTERISTICS**

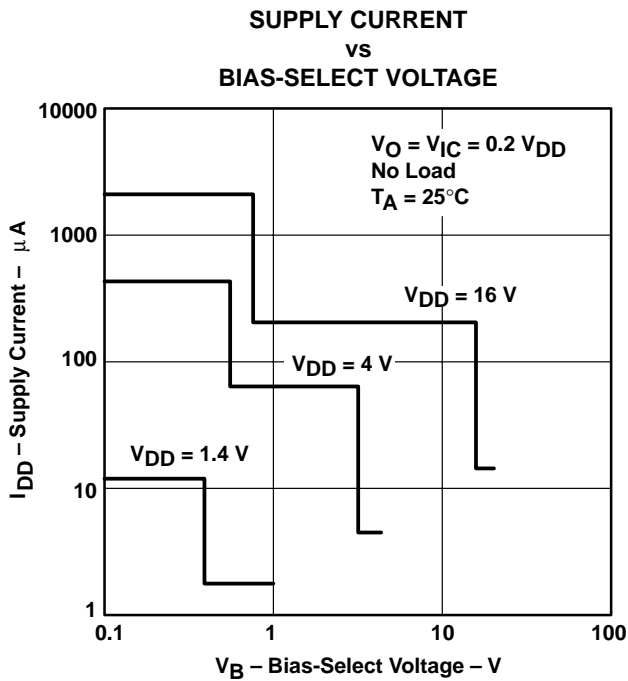


Figure 3

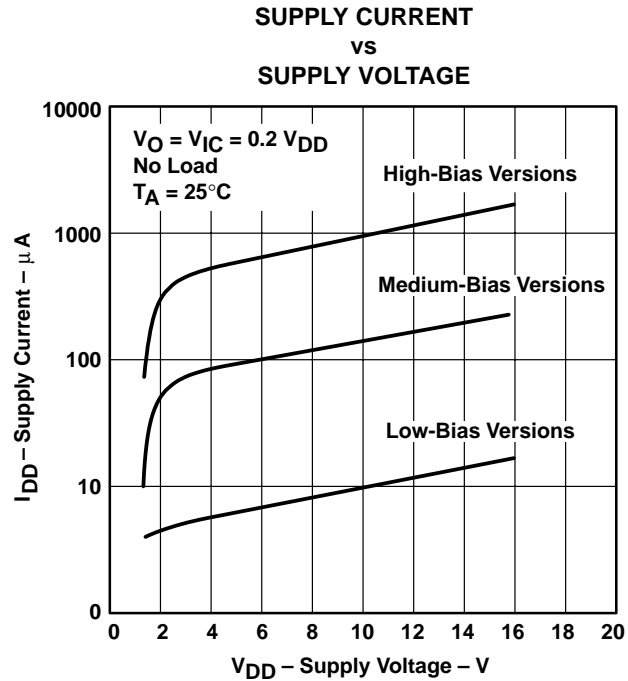


Figure 4

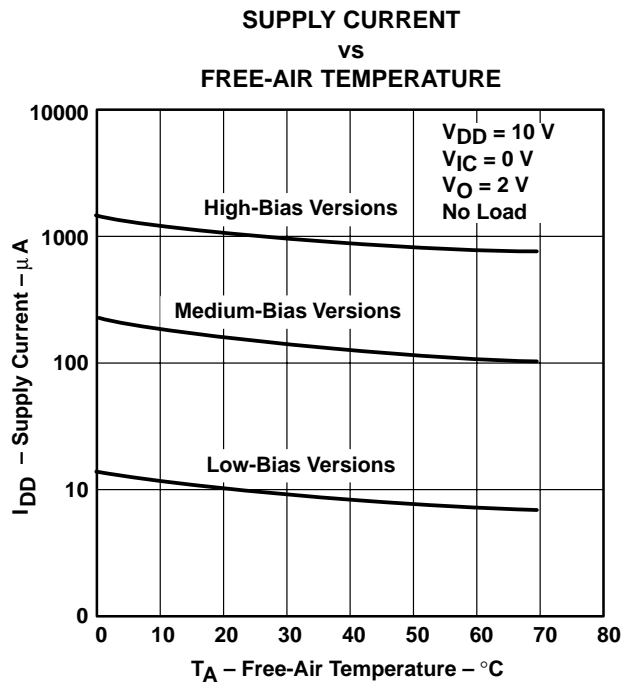
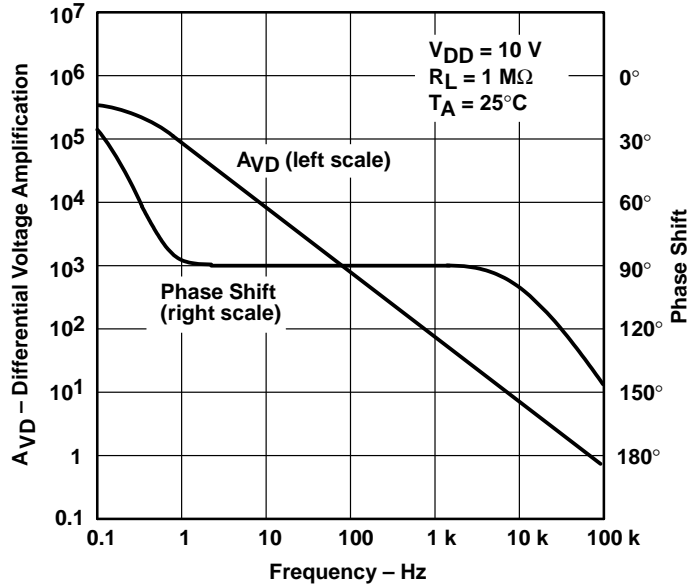


Figure 5

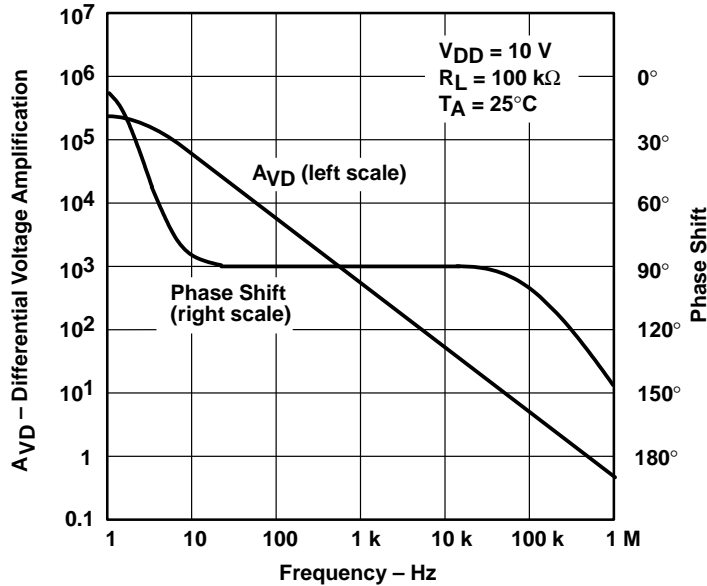
**TYPICAL CHARACTERISTICS**

**LOW-BIAS LARGE-SIGNAL  
 DIFFERENTIAL VOLTAGE AMPLIFICATION  
 AND PHASE SHIFT  
 vs  
 FREQUENCY**



**Figure 6**

**MEDIUM-BIAS LARGE-SIGNAL  
 DIFFERENTIAL VOLTAGE AMPLIFICATION  
 AND PHASE SHIFT  
 vs  
 FREQUENCY**



**Figure 7**

TYPICAL CHARACTERISTICS

HIGH-BIAS LARGE-SIGNAL  
DIFFERENTIAL VOLTAGE AMPLIFICATION  
AND PHASE SHIFT  
vs  
FREQUENCY

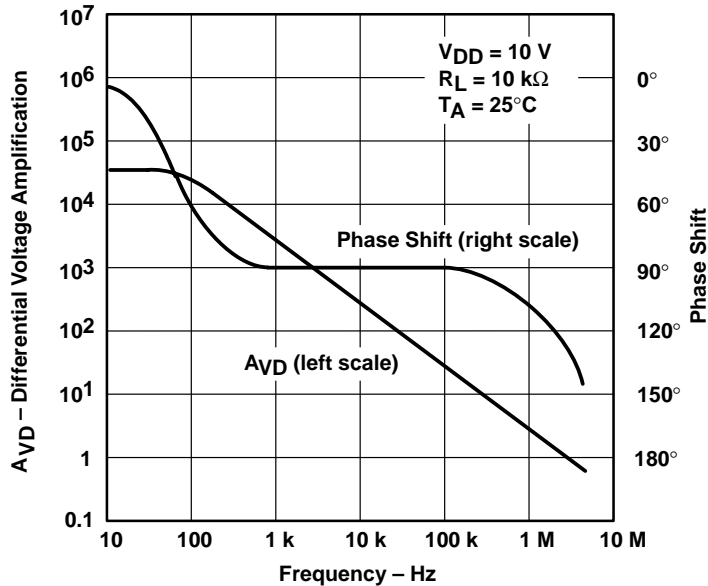


Figure 8

APPLICATION INFORMATION

**latch-up avoidance**

Junction-isolated CMOS circuits have an inherent parasitic PNP structure that can function as an SCR. Under certain conditions, this SCR may be triggered into a low-impedance state, resulting in excessive supply current. To avoid such conditions, no voltage greater than 0.3 V beyond the supply rails should be applied to any pin. In general, the operational amplifier supplies should be applied simultaneously with, or before, application of any input signals.

## APPLICATION INFORMATION

### using BIAS SELECT

The TLC251 has a terminal called BIAS SELECT that allows the selection of one of three  $I_{DD}$  conditions (10, 150, and 1000  $\mu\text{A}$  typical). This allows the user to trade-off power and ac performance. As shown in the typical supply current ( $I_{DD}$ ) versus supply voltage ( $V_{DD}$ ) curves (Figure 4), the  $I_{DD}$  varies only slightly from 4 V to 16 V. Below 4 V, the  $I_{DD}$  varies more significantly. Note that the  $I_{DD}$  values in the medium- and low-bias modes at  $V_{DD} = 1.4$  V are typically 2  $\mu\text{A}$ , and in the high mode are typically 12  $\mu\text{A}$ . The following table shows the recommended BIAS SELECT connections at  $V_{DD} = 10$  V.

| BIAS MODE | AC PERFORMANCE | BIAS SELECT CONNECTION† | TYPICAL $I_{DD}‡$  |
|-----------|----------------|-------------------------|--------------------|
| Low       | Low            | $V_{DD}$                | 10 $\mu\text{A}$   |
| Medium    | Medium         | 0.8 V to 9.2 V          | 150 $\mu\text{A}$  |
| High      | High           | Ground pin              | 1000 $\mu\text{A}$ |

† Bias selection may also be controlled by external circuitry to conserve power, etc. For information regarding BIAS SELECT, see Figure 3 in the typical characteristics curves.

‡ For  $I_{DD}$  characteristics at voltages other than 10 V, see Figure 4 in the typical characteristics curves.

### output stage considerations

The amplifier's output stage consists of a source-follower-connected pullup transistor and an open-drain pulldown transistor. The high-level output voltage ( $V_{OH}$ ) is virtually independent of the  $I_{DD}$  selection and increases with higher values of  $V_{DD}$  and reduced output loading. The low-level output voltage ( $V_{OL}$ ) decreases with reduced output current and higher input common-mode voltage. With no load,  $V_{OL}$  is essentially equal to the potential of  $V_{DD-}/\text{GND}$ .

### input offset nulling

The TLC251C series offers external offset null control. Nulling may be achieved by adjusting a 25-k $\Omega$  potentiometer connected between the offset null terminals with the wiper connected to the device  $V_{DD-}/\text{GND}$  pin as shown in Figure 2. The amount of nulling range varies with the bias selection. At an  $I_{DD}$  setting of 1000  $\mu\text{A}$  (high bias), the nulling range allows the maximum offset specified to be trimmed to zero. In low or medium bias or when the amplifier is used below 4 V, total nulling may not be possible for all units.

### supply configurations

Even though the TLC251C series is characterized for single-supply operation, it can be used effectively in a split-supply configuration when the input common-mode voltage ( $V_{ICR}$ ), output swing ( $V_{OL}$  and  $V_{OH}$ ), and supply voltage limits are not exceeded.

### circuit layout precautions

The user is cautioned that whenever extremely high circuit impedances are used, care must be exercised in layout, construction, board cleanliness, and supply filtering to avoid hum and noise pickup, as well as excessive dc leakages.

**PACKAGING INFORMATION**

| Orderable Device | Status<br>(1) | Package Type | Package Drawing | Pins | Package Qty | Eco Plan<br>(2)         | Lead/Ball Finish<br>(6) | MSL Peak Temp<br>(3) | Op Temp (°C) | Device Marking<br>(4/5) | Samples                 |
|------------------|---------------|--------------|-----------------|------|-------------|-------------------------|-------------------------|----------------------|--------------|-------------------------|-------------------------|
| TLC251ACD        | ACTIVE        | SOIC         | D               | 8    | 75          | Green (RoHS & no Sb/Br) | CU NIPDAU               | Level-1-260C-UNLIM   | 0 to 70      | 251AC                   | <a href="#">Samples</a> |
| TLC251ACP        | ACTIVE        | PDIP         | P               | 8    | 50          | Green (RoHS & no Sb/Br) | CU NIPDAU               | N / A for Pkg Type   | 0 to 70      | TLC251ACP               | <a href="#">Samples</a> |
| TLC251BCP        | ACTIVE        | PDIP         | P               | 8    | 50          | Green (RoHS & no Sb/Br) | CU NIPDAU               | N / A for Pkg Type   | 0 to 70      | TLC251BCP               | <a href="#">Samples</a> |
| TLC251CD         | ACTIVE        | SOIC         | D               | 8    | 75          | Green (RoHS & no Sb/Br) | CU NIPDAU               | Level-1-260C-UNLIM   | 0 to 70      | 251C                    | <a href="#">Samples</a> |
| TLC251CDG4       | ACTIVE        | SOIC         | D               | 8    | 75          | Green (RoHS & no Sb/Br) | CU NIPDAU               | Level-1-260C-UNLIM   | 0 to 70      | 251C                    | <a href="#">Samples</a> |
| TLC251CDR        | ACTIVE        | SOIC         | D               | 8    | 2500        | Green (RoHS & no Sb/Br) | CU NIPDAU               | Level-1-260C-UNLIM   | 0 to 70      | 251C                    | <a href="#">Samples</a> |
| TLC251CP         | ACTIVE        | PDIP         | P               | 8    | 50          | Green (RoHS & no Sb/Br) | CU NIPDAU               | N / A for Pkg Type   | 0 to 70      | TLC251CP                | <a href="#">Samples</a> |
| TLC251CPE4       | ACTIVE        | PDIP         | P               | 8    | 50          | Green (RoHS & no Sb/Br) | CU NIPDAU               | N / A for Pkg Type   | 0 to 70      | TLC251CP                | <a href="#">Samples</a> |

(1) The marketing status values are defined as follows:

**ACTIVE:** Product device recommended for new designs.

**LIFEBUY:** TI has announced that the device will be discontinued, and a lifetime-buy period is in effect.

**NRND:** Not recommended for new designs. Device is in production to support existing customers, but TI does not recommend using this part in a new design.

**PREVIEW:** Device has been announced but is not in production. Samples may or may not be available.

**OBsolete:** TI has discontinued the production of the device.

(2) **RoHS:** TI defines "RoHS" to mean semiconductor products that are compliant with the current EU RoHS requirements for all 10 RoHS substances, including the requirement that RoHS substance do not exceed 0.1% by weight in homogeneous materials. Where designed to be soldered at high temperatures, "RoHS" products are suitable for use in specified lead-free processes. TI may reference these types of products as "Pb-Free".

**RoHS Exempt:** TI defines "RoHS Exempt" to mean products that contain lead but are compliant with EU RoHS pursuant to a specific EU RoHS exemption.

**Green:** TI defines "Green" to mean the content of Chlorine (Cl) and Bromine (Br) based flame retardants meet JS709B low halogen requirements of <=1000ppm threshold. Antimony trioxide based flame retardants must also meet the <=1000ppm threshold requirement.

(3) MSL, Peak Temp. - The Moisture Sensitivity Level rating according to the JEDEC industry standard classifications, and peak solder temperature.

(4) There may be additional marking, which relates to the logo, the lot trace code information, or the environmental category on the device.

<sup>(5)</sup> Multiple Device Markings will be inside parentheses. Only one Device Marking contained in parentheses and separated by a "-" will appear on a device. If a line is indented then it is a continuation of the previous line and the two combined represent the entire Device Marking for that device.

<sup>(6)</sup> Lead/Ball Finish - Orderable Devices may have multiple material finish options. Finish options are separated by a vertical ruled line. Lead/Ball Finish values may wrap to two lines if the finish value exceeds the maximum column width.

**Important Information and Disclaimer:**The information provided on this page represents TI's knowledge and belief as of the date that it is provided. TI bases its knowledge and belief on information provided by third parties, and makes no representation or warranty as to the accuracy of such information. Efforts are underway to better integrate information from third parties. TI has taken and continues to take reasonable steps to provide representative and accurate information but may not have conducted destructive testing or chemical analysis on incoming materials and chemicals. TI and TI suppliers consider certain information to be proprietary, and thus CAS numbers and other limited information may not be available for release.

In no event shall TI's liability arising out of such information exceed the total purchase price of the TI part(s) at issue in this document sold by TI to Customer on an annual basis.

## TAPE AND REEL INFORMATION



### QUADRANT ASSIGNMENTS FOR PIN 1 ORIENTATION IN TAPE



\*All dimensions are nominal

| Device    | Package Type | Package Drawing | Pins | SPQ  | Reel Diameter (mm) | Reel Width W1 (mm) | A0 (mm) | B0 (mm) | K0 (mm) | P1 (mm) | W (mm) | Pin1 Quadrant |
|-----------|--------------|-----------------|------|------|--------------------|--------------------|---------|---------|---------|---------|--------|---------------|
| TLC251CDR | SOIC         | D               | 8    | 2500 | 330.0              | 12.4               | 6.4     | 5.2     | 2.1     | 8.0     | 12.0   | Q1            |

**TAPE AND REEL BOX DIMENSIONS**



\*All dimensions are nominal

| Device    | Package Type | Package Drawing | Pins | SPQ  | Length (mm) | Width (mm) | Height (mm) |
|-----------|--------------|-----------------|------|------|-------------|------------|-------------|
| TLC251CDR | SOIC         | D               | 8    | 2500 | 340.5       | 338.1      | 20.6        |

## IMPORTANT NOTICE AND DISCLAIMER

TI PROVIDES TECHNICAL AND RELIABILITY DATA (INCLUDING DATASHEETS), DESIGN RESOURCES (INCLUDING REFERENCE DESIGNS), APPLICATION OR OTHER DESIGN ADVICE, WEB TOOLS, SAFETY INFORMATION, AND OTHER RESOURCES "AS IS" AND WITH ALL FAULTS, AND DISCLAIMS ALL WARRANTIES, EXPRESS AND IMPLIED, INCLUDING WITHOUT LIMITATION ANY IMPLIED WARRANTIES OF MERCHANTABILITY, FITNESS FOR A PARTICULAR PURPOSE OR NON-INFRINGEMENT OF THIRD PARTY INTELLECTUAL PROPERTY RIGHTS.

These resources are intended for skilled developers designing with TI products. You are solely responsible for (1) selecting the appropriate TI products for your application, (2) designing, validating and testing your application, and (3) ensuring your application meets applicable standards, and any other safety, security, or other requirements. These resources are subject to change without notice. TI grants you permission to use these resources only for development of an application that uses the TI products described in the resource. Other reproduction and display of these resources is prohibited. No license is granted to any other TI intellectual property right or to any third party intellectual property right. TI disclaims responsibility for, and you will fully indemnify TI and its representatives against, any claims, damages, costs, losses, and liabilities arising out of your use of these resources.

TI's products are provided subject to TI's Terms of Sale ([www.ti.com/legal/termsofsale.html](http://www.ti.com/legal/termsofsale.html)) or other applicable terms available either on [ti.com](http://ti.com) or provided in conjunction with such TI products. TI's provision of these resources does not expand or otherwise alter TI's applicable warranties or warranty disclaimers for TI products.

Mailing Address: Texas Instruments, Post Office Box 655303, Dallas, Texas 75265  
Copyright © 2018, Texas Instruments Incorporated

## Looking for pricing, stock, or lifecycle information?

Click below to explore more details on WIN SOURCE:

 [View TLC251ACDRG4](#) on WIN SOURCE

 [Texas Instruments](#) Information

## Optimize Your Supply Chain with WIN SOURCE Solutions

-  Global Sourcing Solution
-  Obsolete Management
-  Cost Control Management
-  Shortage Management
-  Alternative Solution
-  Excess Inventory Management