



**THE DATASHEET OF
B1179BS-5R6N=P3**

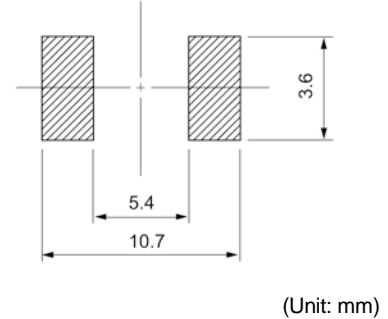
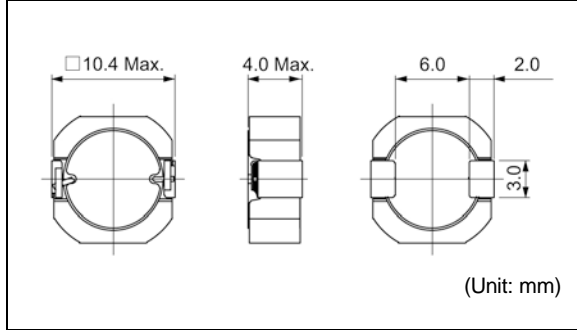
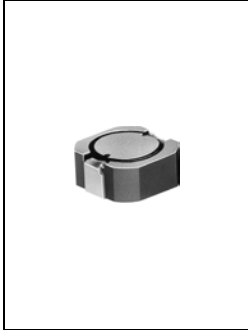


DS104LC



Inductance Range: 1.0~100μH

Recommended patterns
推荐焊盘尺寸



FEATURES 特点

- 10.4mm Max. square and 4.0mm Max. height.
- Magnetically shielded construction and low DC resistance.
- Suitable for large current.
- Ideal for DC-DC converter inductor applications.
- Operating temperature : -40~+85°C
- 最大10.4毫米的平面，最大高度4.0毫米
- 磁性屏蔽结构和低直流电阻
- 适合大电流
- DC-DC转换器电感器的理想选择
- 使用温度范围：-40~+85°C

STANDARD PART NUMBERS 标准零件号码

TYPE DS104LC (Quantity/reel; 500 PCS)

零件号码	电感值 ⁽¹⁾	公差	最大直流电阻 ⁽²⁾ (典型)	最大电感值减小电流 ⁽³⁾ (典型)	最大温度上升电流 ⁽³⁾ (典型)
Part Number	Inductance ⁽¹⁾ (μH)	Tolerance (%)	DC Resistance ⁽²⁾ (mΩ) Max. (Typ.)	Inductance Decrease Current ⁽³⁾ (A) Max. (Typ.) $\frac{\Delta L}{L} = 35\%$	Temperature Rise Current ⁽³⁾ ΔT=40°C (A) Max. (Typ.)
B1179BS-1R0N=P3	1.0	± 30	5.7 (4.8)	13 (17)	9.5 (11)
B1179BS-1R5N=P3	1.5	± 30	8.1 (6.7)	11 (14)	8.2 (9.6)
B1179BS-2R2N=P3	2.2	± 30	9.4 (7.8)	8.4 (11)	6.9 (8.1)
B1179BS-3R3N=P3	3.3	± 30	13 (10)	7.3 (9.7)	6.0 (7.1)
B1179BS-3R8N=P3	3.8	± 30	16 (12)	6.4 (8.6)	5.4 (6.4)
B1179BS-5R6N=P3	5.6	± 30	21 (17)	5.5 (7.3)	4.7 (5.5)
B1179BS-6R8N=P3	6.8	± 30	24 (20)	5.0 (6.7)	4.1 (4.8)
B1179BS-100M=P3	10	± 20	31 (26)	4.2 (5.6)	3.6 (4.3)
B1179BS-150M=P3	15	± 20	56 (46)	3.3 (4.4)	2.8 (3.3)
B1179BS-220M=P3	22	± 20	74 (62)	2.7 (3.6)	2.3 (2.7)
B1179BS-330M=P3	33	± 20	100 (87)	2.2 (3.0)	1.8 (2.1)
B1179BS-470M=P3	47	± 20	140 (120)	1.9 (2.5)	1.6 (1.9)
B1179BS-680M=P3	68	± 20	190 (160)	1.6 (2.1)	1.3 (1.6)
B1179BS-101M=P3	100	± 20	290 (240)	1.3 (1.7)	1.1 (1.3)

(1) Inductance is measured with a LCR meter 4284A (Agilent Technologies) or equivalent.
Test frequency at 100kHz

(2) DC resistance is measured with 34420A (Agilent Technologies) or 3541 (HIOKI). (Reference ambient temperature 25°C)

(3) Maximum allowable DC current is that which causes a 35% inductance reduction from the initial value, or coil temperature to rise by 40°C, whichever is smaller. (Reference ambient temperature: 20°C)

(1) LCR仪表4284A (Agilent技术)或者功能相同的仪器在100kHz下测试电感值。

(2) 通过数码万用表34420A (Agilent技术) 或者3541 (HIOKI)测试直流电阻。(环境温度为25°C)

(3) 允许最大直流电的范围是以下两者中比较小的一个：引起电感值从最初值降低35%，或者线圈温度升高40°C。(参考周围环境温度20°C)。

Looking for pricing, stock, or lifecycle information?

Click below to explore more details on WIN SOURCE:

- [View B1179BS-5R6N=P3 on WIN SOURCE](#)
- [Murata Electronics North America Information](#)

Optimize Your Supply Chain with WIN SOURCE Solutions

- ✓ Global Sourcing Solution
- ✓ Obsolete Management
- ✓ Cost Control Management
- ✓ Shortage Management
- ✓ Alternative Solution
- ✓ Excess Inventory Management