



**THE DATASHEET OF
ED3000/6**



B
AWG
/

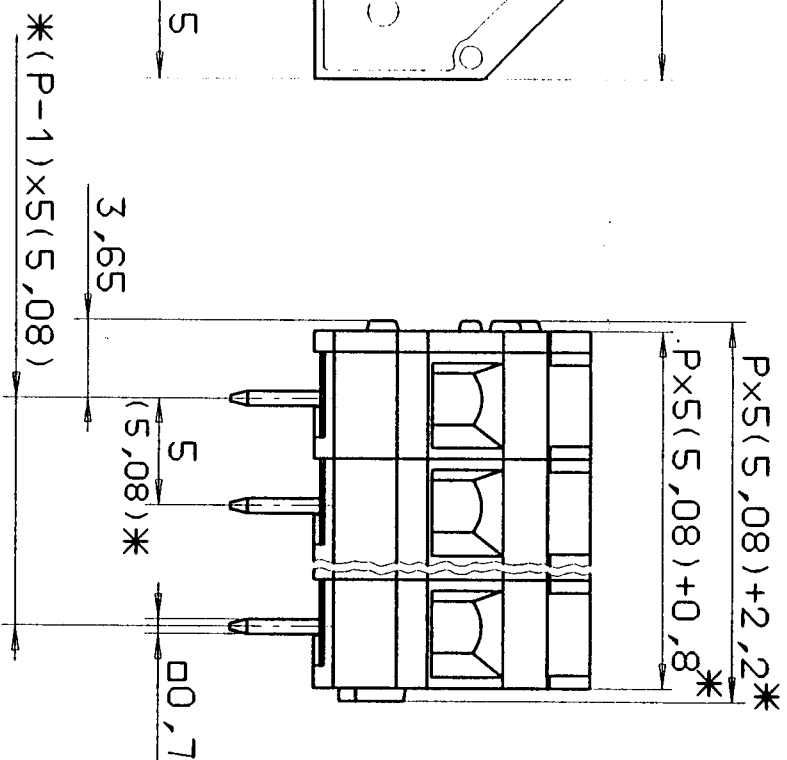
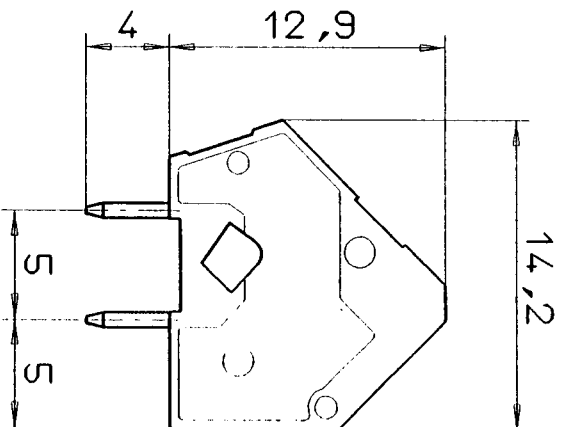
n^2
 n^2
 n^2

n(5,08mm)

n(2x)

V-0
+105°C
ess Steel

Gray



Part Number
ED(Z)3000/ * *
* - NUMBER OF POSITIONS

Units
mm

Drawing

Reviewed

Approved

Date
1/05/96

Sheet 1 of 1

Rev. A

Looking for pricing, stock, or lifecycle information?

Click below to explore more details on WIN SOURCE:

- ⊖ [View ED3000/6 on WIN SOURCE](#)
- ⊖ [On Shore Technology Inc. Information](#)

Optimize Your Supply Chain with WIN SOURCE Solutions

- ✓ Global Sourcing Solution
- ✓ Obsolete Management
- ✓ Cost Control Management
- ✓ Shortage Management
- ✓ Alternative Solution
- ✓ Excess Inventory Management