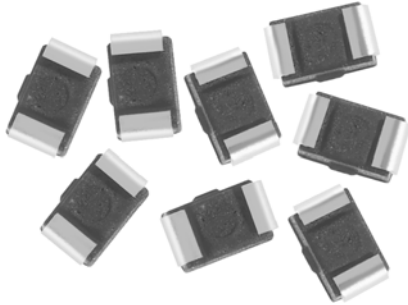




**THE DATASHEET OF
IMC0805ERR10K**



High Frequency, Surface Mount, Molded Inductors



FEATURES

- High self-resonant frequency values
- High Q values at higher frequencies
- Molded construction provides superior strength and moisture resistance
- Wirewound construction
- Compatible with vapor phase and infrared reflow soldering
- Tape and reel packaging for automatic handling, 3000/reel, EIA-481
- Compliant to RoHS Directive 2002/95/EC


RoHS
COMPLIANT

STANDARD ELECTRICAL SPECIFICATIONS

IND. (nH)	TOL.	TEST FREQ. (MHz)	Q	Q TYP. (MHz)			SRF MIN. (MHz)	DCR ± 30 % (Ω)	RATED DC CURRENT (mA)
				L & Q	MIN.	100			
10	10 %	100	10	22	65	110	3300	0.14	540
12	10 %	100	10	22	65	105	3300	0.18	535
15	10 %	100	12	23	70	100	3000	0.18	520
18	10 %	100	12	25	75	95	3000	0.22	480
22	10 %	100	15	25	75	80	2600	0.22	465
27	10 %	100	15	25	75	-	2500	0.26	455
33	5 %, 10 %	100	15	28	80	-	2050	0.30	395
39	5 %, 10 %	100	15	28	70	-	2000	0.31	390
47	5 %, 10 %	100	15	28	70	-	1650	0.35	385
56	5 %, 10 %	100	15	28	60	-	1550	0.39	360
68	5 %, 10 %	100	15	28	-	-	1450	0.44	340
82	5 %, 10 %	100	15	28	-	-	1100	0.48	330
100	5 %, 10 %	25.2	8	25	-	-	800	0.66	285
120	5 %, 10 %	25.2	8	24	-	-	600	0.76	275
150	5 %, 10 %	25.2	10	25	-	-	600	1.13	230
180	5 %, 10 %	25.2	10	25	-	-	600	1.24	195
220	5 %, 10 %	25.2	10	25	-	-	500	1.41	170
270	5 %, 10 %	25.2	10	25	-	-	300	1.50	165
330	5 %, 10 %	25.2	10	20	-	-	200	1.66	160
390	5 %, 10 %	25.2	10	20	-	-	150	1.82	150
470	5 %, 10 %	25.2	10	18	-	-	150	1.97	145
560	5 %, 10 %	25.2	10	15	-	-	100	2.07	140
680	5 %, 10 %	25.2	10	-	-	-	100	2.32	130
820	5 %, 10 %	25.2	10	-	-	-	80	2.60	125
1000	5 %, 10 %	7.96	8	-	-	-	80	2.98	120

Note

- Tighter tolerance product may be substituted based on availability.

ELECTRICAL SPECIFICATIONS

Inductance Range: 10 nH to 1000 nH

Inductance and Tolerance: ± 10 % for 10 nH to 1000 nH, ± 5 % for 33 nH to 1000 nH

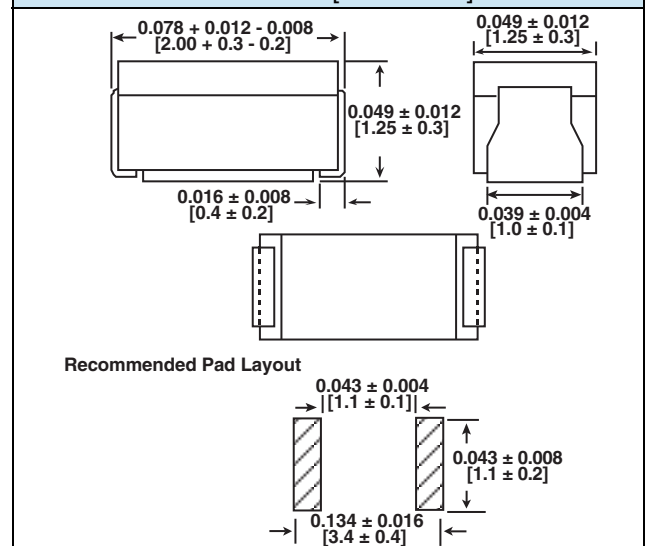
Operating Temperature: - 40 °C to + 105 °C (no load)
- 40 °C to + 85 °C (at full rated current)

Core Material: Non-magnetic

TEST EQUIPMENT

- Inductance and Q measured on HP4191A
- SRF measured on HP8753B

DIMENSIONS in inches [millimeters]



DESCRIPTION

IMC-0805	10 nH	± 5 %	ER	e3
MODEL	INDUCTANCE VALUE	INDUCTANCE TOLERANCE	PACKAGE CODE	JEDEC LEAD (Pb)-FREE STANDARD

GLOBAL PART NUMBER

I M C	0 8 0 5	E R	1 0 N	J
PRODUCT FAMILY	SIZE	PACKAGE CODE	INDUCTANCE VALUE	TOL.



Disclaimer

ALL PRODUCT, PRODUCT SPECIFICATIONS AND DATA ARE SUBJECT TO CHANGE WITHOUT NOTICE TO IMPROVE RELIABILITY, FUNCTION OR DESIGN OR OTHERWISE.

Vishay Intertechnology, Inc., its affiliates, agents, and employees, and all persons acting on its or their behalf (collectively, "Vishay"), disclaim any and all liability for any errors, inaccuracies or incompleteness contained in any datasheet or in any other disclosure relating to any product.

Vishay makes no warranty, representation or guarantee regarding the suitability of the products for any particular purpose or the continuing production of any product. To the maximum extent permitted by applicable law, Vishay disclaims (i) any and all liability arising out of the application or use of any product, (ii) any and all liability, including without limitation special, consequential or incidental damages, and (iii) any and all implied warranties, including warranties of fitness for particular purpose, non-infringement and merchantability.

Statements regarding the suitability of products for certain types of applications are based on Vishay's knowledge of typical requirements that are often placed on Vishay products in generic applications. Such statements are not binding statements about the suitability of products for a particular application. It is the customer's responsibility to validate that a particular product with the properties described in the product specification is suitable for use in a particular application. Parameters provided in datasheets and/or specifications may vary in different applications and performance may vary over time. All operating parameters, including typical parameters, must be validated for each customer application by the customer's technical experts. Product specifications do not expand or otherwise modify Vishay's terms and conditions of purchase, including but not limited to the warranty expressed therein.

Except as expressly indicated in writing, Vishay products are not designed for use in medical, life-saving, or life-sustaining applications or for any other application in which the failure of the Vishay product could result in personal injury or death. Customers using or selling Vishay products not expressly indicated for use in such applications do so at their own risk. Please contact authorized Vishay personnel to obtain written terms and conditions regarding products designed for such applications.

No license, express or implied, by estoppel or otherwise, to any intellectual property rights is granted by this document or by any conduct of Vishay. Product names and markings noted herein may be trademarks of their respective owners.

Material Category Policy

Vishay Intertechnology, Inc. hereby certifies that all its products that are identified as RoHS-Compliant fulfill the definitions and restrictions defined under Directive 2011/65/EU of The European Parliament and of the Council of June 8, 2011 on the restriction of the use of certain hazardous substances in electrical and electronic equipment (EEE) - recast, unless otherwise specified as non-compliant.

Please note that some Vishay documentation may still make reference to RoHS Directive 2002/95/EC. We confirm that all the products identified as being compliant to Directive 2002/95/EC conform to Directive 2011/65/EU.

Vishay Intertechnology, Inc. hereby certifies that all its products that are identified as Halogen-Free follow Halogen-Free requirements as per JEDEC JS709A standards. Please note that some Vishay documentation may still make reference to the IEC 61249-2-21 definition. We confirm that all the products identified as being compliant to IEC 61249-2-21 conform to JEDEC JS709A standards.

Looking for pricing, stock, or lifecycle information?

Click below to explore more details on WIN SOURCE:

 [View IMC0805ERR10K on WIN SOURCE](#)

 [Vishay Information](#)

Optimize Your Supply Chain with WIN SOURCE Solutions

-  Global Sourcing Solution
-  Obsolete Management
-  Cost Control Management
-  Shortage Management
-  Alternative Solution
-  Excess Inventory Management