



**THE DATASHEET OF
LT1014DIDWR**



LT1014, LT1014A, LT1014D QUAD PRECISION OPERATIONAL AMPLIFIERS

SLOS039D – JULY 1989 – REVISED AUGUST 2009

- **Single-Supply Operation:**
Input Voltage Range Extends to Ground, and Output Swings to Ground While Sinking Current
- **Input Offset Voltage 300 μV Max at 25°C for LT1014**
- **Offset Voltage Temperature Coefficient 2.5 $\mu\text{V}/^\circ\text{C}$ Max for LT1014**
- **Input Offset Current 1.5 nA Max at 25°C for LT1014**
- **High Gain 1.2 $\text{V}/\mu\text{V}$ Min ($R_L = 2 \text{ k}\Omega$), 0.5 $\text{V}/\mu\text{V}$ Min ($R_L = 600 \Omega$) for LT1014**
- **Low Supply Current 2.2 mA Max at 25°C for LT 1014**
- **Low Peak-to-Peak Noise Voltage 0.55 μV Typ**
- **Low Current Noise 0.07 $\text{pA}/\sqrt{\text{Hz}}$ Typ**

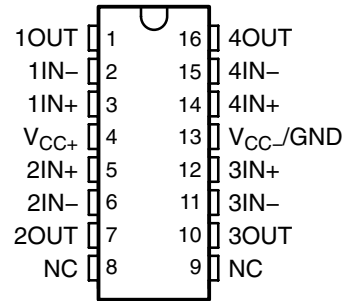
description

The LT1014, LT1014A, and LT1014D are quad precision operational amplifiers with 14-pin industry-standard configuration. They feature low offset-voltage temperature coefficient, high gain, low supply current, and low noise.

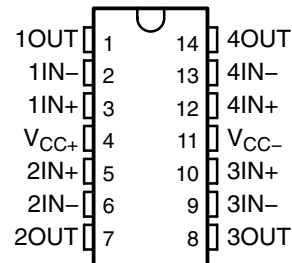
The LT1014, LT1014A, and LT1014D can be operated with both dual $\pm 15\text{-V}$ and single 5-V power supplies. The common-mode input voltage range includes ground, and the output voltage can also swing to within a few millivolts of ground. Crossover distortion is eliminated.

The LT1014C and LT1014D are characterized for operation from 0°C to 70°C. The LT1014I and LT1014DI are characterized for operation from -40°C to 105°C. The LT1014M, LT1014AM and LT1014DM are characterized for operation over the full military temperature range of -55°C to 125°C.

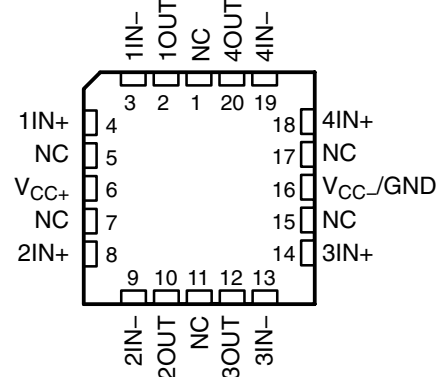
**DW PACKAGE
(TOP VIEW)**



**J OR N PACKAGE
(TOP VIEW)**



**FK PACKAGE
(TOP VIEW)**



NC – No internal connection



Please be aware that an important notice concerning availability, standard warranty, and use in critical applications of Texas Instruments semiconductor products and disclaimers thereto appears at the end of this data sheet.

PRODUCTION DATA information is current as of publication date. Products conform to specifications per the terms of Texas Instruments standard warranty. Production processing does not necessarily include testing of all parameters.



POST OFFICE BOX 655303 • DALLAS, TEXAS 75265

Copyright © 2009, Texas Instruments Incorporated

LT1014, LT1014A, LT1014D QUAD PRECISION OPERATIONAL AMPLIFIERS

SLOS039D – JULY 1989 – REVISED AUGUST 2009

AVAILABLE OPTIONS[†]

| T _A | V _{IO} max AT 25°C | PACKAGED DEVICES [‡] | | | |
|----------------|--------------------------------|---------------------------------------|------------------------------|----------------------------|----------------------------|
| | | SMALL OUTLINE (DW) [§] | CHIP CARRIER (FK) | CERAMIC DIP (J) | PLASTIC DIP (N) |
| 0°C to 70°C | 300 μV 800 μV | — LT1014DDW | — — | — — | LT1014CN LT1014DN |
| –40°C to 105°C | 300 μV 800 μV | — LT1014DIDW | — — | — — | LT1014IN LT1014DIN |
| –55°C to 125°C | 180 μV 300 μV 800 μV | — — LT1014DMDW | LT1014AMFK LT1014MFK — | LT1014AMJ LT1014MJ — | — LT1014MN LT1014DMN |

[†] For the most current package and ordering information, see the Package Option Addendum at the end of this document, or see the TI web site at www.ti.com.

[‡] Package drawings, thermal data, and symbolization are available at www.ti.com/packaging.

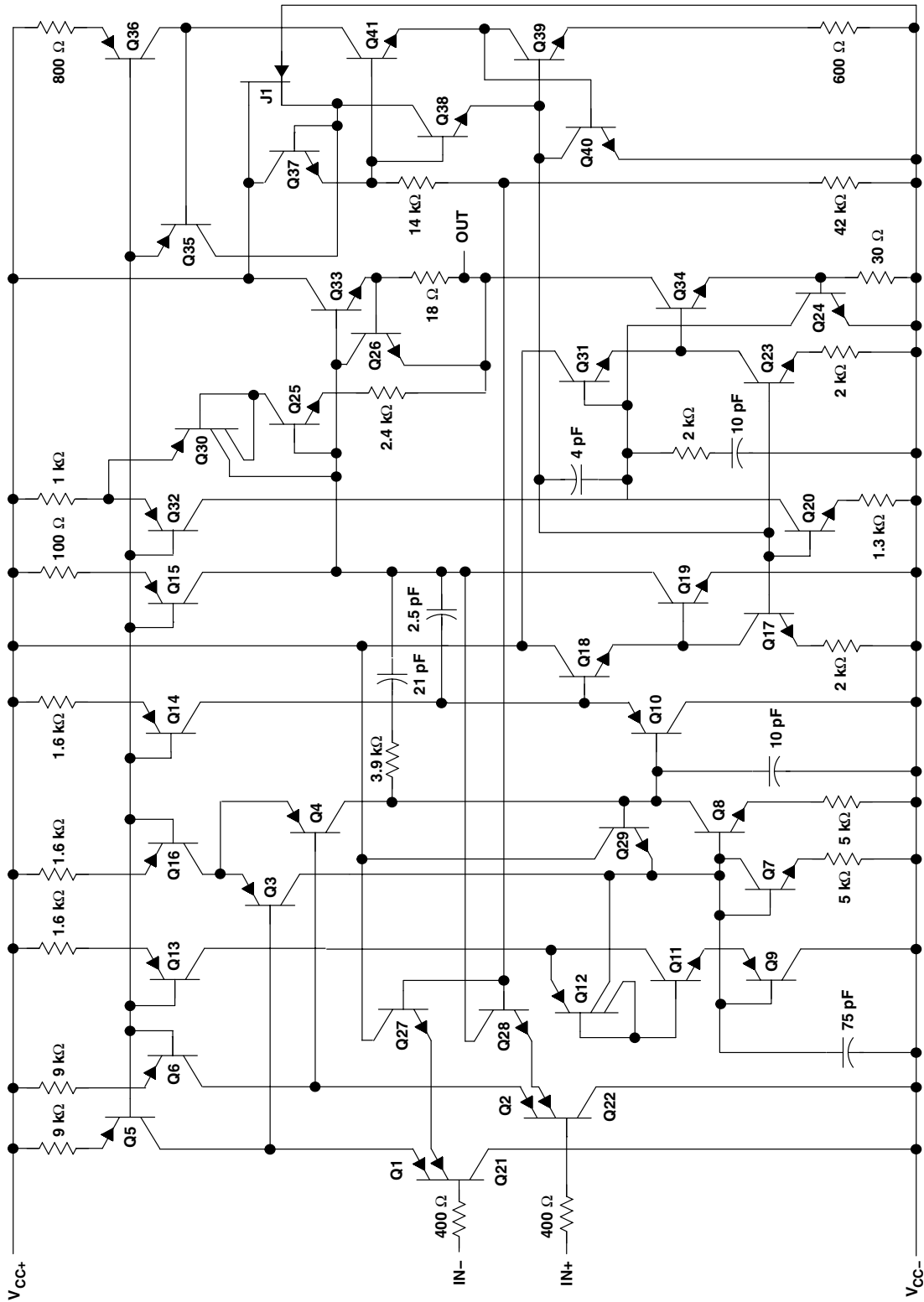
[§] The DW package is available taped and reeled. Add the suffix R to the device type (e.g., LT1014DDWR).



LT1014, LT1014A, LT1014D QUAD PRECISION OPERATIONAL AMPLIFIERS

SLOS039D – JULY 1989 – REVISED AUGUST 2009

schematic (each amplifier)



Component values are nominal.

LT1014, LT1014A, LT1014D QUAD PRECISION OPERATIONAL AMPLIFIERS

SLOS039D – JULY 1989 – REVISED AUGUST 2009

absolute maximum ratings over operating free-air temperature range (unless otherwise noted)†

| | |
|---|--|
| Supply voltage (see Note 1): V_{CC+} | 22 V |
| V_{CC-} | -22 V |
| Differential input voltage (see Note 2) | ± 30 V |
| Input voltage range, V_I (any input) (see Note 1) | $V_{CC-} - 5$ V to V_{CC+} |
| Duration of short-circuit current at (or below) $T_A = 25^\circ\text{C}$ (see Note 3) | Unlimited |
| Continuous total power dissipation | See Dissipation Rating Table |
| Operating free-air temperature range, T_A : LT1014C, LT1014D | -0°C to 70°C |
| LT1014I, LT1014DI | -40°C to 105°C |
| LT1014M, LT1014AM, LT1014DM | -55°C to 125°C |
| Case temperature for 60 seconds: FK package | 260°C |
| Storage temperature range, T_{stg} | -65°C to 150°C |

† Stresses beyond those listed under “absolute maximum ratings” may cause permanent damage to the device. These are stress ratings only, and functional operation of the device at these or any other conditions beyond those indicated under “recommended operating conditions” is not implied. Exposure to absolute-maximum-rated conditions for extended periods may affect device reliability.

- NOTES: 1. All voltage values, except differential voltages, are with respect to the midpoint between V_{CC+} and V_{CC-} .
 2. Differential voltages are at the noninverting input with respect to the inverting input.
 3. The output may be shorted to either supply.

DISSIPATION RATING TABLE

| PACKAGE | $T_A \leq 25^\circ\text{C}$ POWER RATING | DERATING FACTOR ABOVE $T_A = 25^\circ\text{C}$ | $T_A = 70^\circ\text{C}$ POWER RATING | $T_A = 105^\circ\text{C}$ POWER RATING | $T_A = 125^\circ\text{C}$ POWER RATING |
|---------|---|---|--|---|---|
| DW | 1025 mW | 8.2 mW/ $^\circ\text{C}$ | 656 mW | 369 mW | 205 mW |
| FK | 1375 mW | 11.0 mW/ $^\circ\text{C}$ | 880 mW | 495 mW | 275 mW |
| J | 1375 mW | 11.0 mW/ $^\circ\text{C}$ | 880 mW | 495 mW | 275 mW |
| N | 1150 mW | 9.2 mW/ $^\circ\text{C}$ | 736 mW | 414 mW | 230 mW |



LT1014, LT1014A, LT1014D QUAD PRECISION OPERATIONAL AMPLIFIERS

SLOS039D – JULY 1989 – REVISED AUGUST 2009

electrical characteristics at specified free-air temperature, $V_{CC\pm} = \pm 15\text{ V}$, $V_{IC} = 0$ (unless otherwise noted)

| PARAMETER | TEST CONDITIONS | T_A † | LT1014C | | | LT1014D | | | UNIT |
|--|--|------------|-------------|---------------|-------------|---------------|------------------------------|-----|------|
| | | | MIN | TYP‡ | MAX | MIN | TYP‡ | MAX | |
| V_{IO} Input offset voltage | $R_S = 50\ \Omega$ | 25°C | 60 | 300 | 200 | 800 | μV | | |
| | | Full range | 550 | | | 1000 | | | |
| $\alpha_{V_{IO}}$ Temperature coefficient of input offset voltage | | Full range | 0.4 | 2.5 | 0.7 | 5 | $\mu\text{V}/^\circ\text{C}$ | | |
| Long-term drift of input offset voltage | | 25°C | 0.5 | | | 0.5 | $\mu\text{V}/\text{mo}$ | | |
| I_{IO} Input offset current | | 25°C | 0.15 | 1.5 | 0.15 | 1.5 | nA | | |
| | | Full range | 2.8 | | | 2.8 | | | |
| I_{IB} Input bias current | | 25°C | -12 | -30 | -12 | -30 | nA | | |
| | | Full range | -38 | | | -38 | | | |
| V_{ICR} Common-mode input voltage range | | 25°C | -15 to 13.5 | -15.3 to 13.8 | -15 to 13.5 | -15.3 to 13.8 | V | | |
| | | Full range | -15 to 13 | | | -15 to 13 | | | |
| V_{OM} Maximum peak output voltage swing | $R_L = 2\ \text{k}\Omega$ | 25°C | ± 12.5 | ± 14 | ± 12.5 | ± 14 | V | | |
| | | Full range | ± 12 | | | ± 12 | | | |
| A_{VD} Large-signal differential voltage amplification | $V_O = \pm 10\ \text{V}$, $R_L = 600\ \Omega$ | 25°C | 0.5 | 2 | 0.5 | 2 | $\text{V}/\mu\text{V}$ | | |
| | $V_O = \pm 10\ \text{V}$, $R_L = 2\ \text{k}\Omega$ | 25°C | 1.2 | 8 | 1.2 | 8 | | | |
| | | Full range | 0.7 | | | 0.7 | | | |
| CMRR Common-mode rejection ratio | $V_{IC} = -15\ \text{V}$ to $13.5\ \text{V}$ | 25°C | 97 | 117 | 97 | 117 | dB | | |
| | $V_{IC} = -15\ \text{V}$ to $13\ \text{V}$ | Full range | 94 | | | 94 | | | |
| k_{SVR} Supply-voltage rejection ratio ($\Delta V_{CC}/\Delta V_{IO}$) | $V_{CC\pm} = \pm 2\ \text{V}$ to $\pm 18\ \text{V}$ | 25°C | 100 | 117 | 100 | 117 | dB | | |
| | | Full range | 97 | | | 97 | | | |
| Channel separation | $V_O = \pm 10\ \text{V}$, $R_L = 2\ \text{k}\Omega$ | 25°C | 120 | 137 | 120 | 137 | dB | | |
| r_{id} Differential input resistance | | 25°C | 70 | 300 | 70 | 300 | $\text{M}\Omega$ | | |
| r_{ic} Common-mode input resistance | | 25°C | 4 | | | 4 | $\text{G}\Omega$ | | |
| I_{CC} Supply current per amplifier | | 25°C | 0.35 | 0.55 | 0.35 | 0.55 | mA | | |
| | | Full range | 0.6 | | | 0.6 | | | |

† Full range is 0°C to 70°C.

‡ All typical values are at $T_A = 25^\circ\text{C}$.



LT1014, LT1014A, LT1014D QUAD PRECISION OPERATIONAL AMPLIFIERS

SLOS039D – JULY 1989 – REVISED AUGUST 2009

electrical characteristics at specified free-air temperature, $V_{CC\pm} = 5\text{ V}$, $V_{CC-} = 0$, $V_O = 1.4\text{ V}$, $V_{IC} = 0$ (unless otherwise noted)

| PARAMETER | TEST CONDITIONS | T_A^\dagger | LT1014C | | | LT1014D | | | UNIT |
|--|---|---------------|----------|-------------|------|----------|------------------------|---------------|------|
| | | | MIN | TYP | MAX | MIN | TYP | MAX | |
| V_{IO} Input offset voltage | $R_S = 50\ \Omega$ | 25°C | 90 | 450 | | 250 | 950 | μV | |
| | | Full range | | | 570 | | 1200 | | |
| I_{IO} Input offset current | | 25°C | 0.2 | 2 | | 0.2 | 2 | nA | |
| | | Full range | | | 6 | | 6 | | |
| I_{IB} Input bias current | | 25°C | -15 | -50 | | -15 | -50 | nA | |
| | | Full range | | | -90 | | -90 | | |
| V_{ICR} Common-mode input voltage range | | 25°C | 0 to 3.5 | -0.3 to 3.8 | | 0 to 3.5 | -0.3 to 3.8 | V | |
| | | Full range | 0 to 3 | | | 0 to 3 | | | |
| V_{OM} Maximum peak output voltage swing | Output low, No load | 25°C | 15 | 25 | | 15 | 25 | mV | |
| | Output low, $R_L = 600\ \Omega$ to GND | 25°C | 5 | 10 | | 5 | 10 | | |
| | | Full range | | | 13 | | 13 | | |
| | Output low, $I_{\text{sink}} = 1\text{ mA}$ | 25°C | 220 | 350 | | 220 | 350 | V | |
| | Output high, No load | 25°C | 4 | 4.4 | | 4 | 4.4 | | |
| | Output high, $R_L = 600\ \Omega$ to GND | 25°C | 3.4 | 4 | | 3.4 | 4 | | |
| Full range | | | | 3.2 | | 3.2 | | | |
| A_{VD} Large-signal differential voltage amplification | $V_O = 5\text{ mV}$ to 4 V, $R_L = 500\ \Omega$ | 25°C | 1 | | | 1 | $\text{V}/\mu\text{V}$ | | |
| I_{CC} Supply current per amplifier | | 25°C | 0.3 | 0.5 | | 0.3 | 0.5 | mA | |
| | | Full range | | | 0.55 | | 0.55 | | |

† Full range is 0°C to 70°C.

operating characteristics, $V_{CC\pm} = \pm 15\text{ V}$, $V_{IC} = 0$, $T_A = 25^\circ\text{C}$

| PARAMETER | TEST CONDITIONS | MIN | TYP | MAX | UNIT |
|---|---------------------|-----|------|-----|------------------------------|
| SR Slew rate | | 0.2 | 0.4 | | $\text{V}/\mu\text{s}$ |
| V_n Equivalent input noise voltage | f = 10 Hz | | 24 | | $\text{nV}/\sqrt{\text{Hz}}$ |
| | f = 1 kHz | | 22 | | |
| $V_{N(PP)}$ Peak-to-peak equivalent input noise voltage | f = 0.1 Hz to 10 Hz | | 0.55 | | μV |
| I_n Equivalent input noise current | f = 10 Hz | | 0.07 | | $\text{pA}/\sqrt{\text{Hz}}$ |



LT1014, LT1014A, LT1014D QUAD PRECISION OPERATIONAL AMPLIFIERS

SLOS039D – JULY 1989 – REVISED AUGUST 2009

electrical characteristics at specified free-air temperature, $V_{CC\pm} = \pm 15\text{ V}$, $V_{IC} = 0$ (unless otherwise noted)

| PARAMETER | TEST CONDITIONS | T_A^\dagger | LT1014I | | LT1014DI | | UNIT |
|--|--|---------------|-------------|------------------|-------------|---------------|------------------------------|
| | | | MIN | TYP [‡] | MAX | MIN | |
| V_{IO} Input offset voltage | $R_S = 50\ \Omega$ | 25°C | 60 | 300 | 200 | 800 | μV |
| | | Full range | 550 | | 1000 | | |
| $\alpha_{V_{IO}}$ Temperature coefficient of input offset voltage | | Full range | 0.4 | 2.5 | 0.7 | 5 | $\mu\text{V}/^\circ\text{C}$ |
| Long-term drift of input offset voltage | | 25°C | 0.5 | | 0.5 | | $\mu\text{V}/\text{mo}$ |
| I_{IO} Input offset current | | 25°C | 0.15 | 1.5 | 0.15 | 1.5 | nA |
| | | Full range | 2.8 | | 2.8 | | |
| I_{IB} Input bias current | | 25°C | -12 | -30 | -12 | -30 | nA |
| | | Full range | -38 | | -38 | | |
| V_{ICR} Common-mode input voltage range | | 25°C | -15 to 13.5 | -15.3 to 13.8 | -15 to 13.5 | -15.3 to 13.8 | V |
| | | Full range | -15 to 13 | | -15 to 13 | | |
| V_{OM} Maximum peak output voltage swing | $R_L = 2\ \text{k}\Omega$ | 25°C | ± 12.5 | ± 14 | ± 12.5 | ± 14 | V |
| | | Full range | ± 12 | | ± 12 | | |
| A_{VD} Large-signal differential voltage amplification | $V_O = \pm 10\ \text{V}$, $R_L = 600\ \Omega$ | 25°C | 0.5 | 2 | 0.5 | 2 | $\text{V}/\mu\text{V}$ |
| | $V_O = \pm 10\ \text{V}$, $R_L = 2\ \text{k}\Omega$ | 25°C | 1.2 | 8 | 1.2 | 8 | |
| | | Full range | 0.7 | | 0.7 | | |
| CMRR Common-mode rejection ratio | $V_{IC} = -15\ \text{V}$ to $13.5\ \text{V}$ | 25°C | 97 | 117 | 97 | 117 | dB |
| | | Full range | 94 | | 94 | | |
| k_{SVR} Supply-voltage rejection ratio ($\Delta V_{CC}/\Delta V_{IO}$) | $V_{CC\pm} = \pm 2\ \text{V}$ to $\pm 18\ \text{V}$ | 25°C | 100 | 117 | 100 | 117 | dB |
| | | Full range | 97 | | 97 | | |
| Channel separation | $V_O = \pm 10\ \text{V}$, $R_L = 2\ \text{k}\Omega$ | 25°C | 120 | 137 | 120 | 137 | dB |
| r_{id} Differential input resistance | | 25°C | 70 | 300 | 70 | 300 | $\text{M}\Omega$ |
| r_{ic} Common-mode input resistance | | 25°C | 4 | | 4 | | $\text{G}\Omega$ |
| I_{CC} Supply current per amplifier | | 25°C | 0.35 | 0.55 | 0.35 | 0.55 | mA |
| | | Full range | 0.6 | | 0.6 | | |

[†] Full range is -40°C to 105°C .

[‡] All typical values are at $T_A = 25^\circ\text{C}$.



LT1014, LT1014A, LT1014D QUAD PRECISION OPERATIONAL AMPLIFIERS

SLOS039D – JULY 1989 – REVISED AUGUST 2009

electrical characteristics at specified free-air temperature, $V_{CC+} = 5\text{ V}$, $V_{CC-} = 0$, $V_O = 1.4\text{ V}$, $V_{IC} = 0$ (unless otherwise noted)

| PARAMETER | TEST CONDITIONS | T_A † | LT1014I | | | LT1014DI | | | UNIT |
|--|---|------------|----------|-------------|--------|----------|------------------------|---------------|------|
| | | | MIN | TYP | MAX | MIN | TYP | MAX | |
| V_{IO} Input offset voltage | $R_S = 50\ \Omega$ | 25°C | 90 | 450 | | 250 | 950 | μV | |
| | | Full range | | | 570 | | 1200 | | |
| I_{IO} Input offset current | | 25°C | 0.2 | 2 | | 0.2 | 2 | nA | |
| | | Full range | | | 6 | | 6 | | |
| I_{IB} Input bias current | | 25°C | -15 | -50 | | -15 | -50 | nA | |
| | | Full range | | | -90 | | -90 | | |
| V_{ICR} Common-mode input voltage range | | 25°C | 0 to 3.5 | -0.3 to 3.8 | | 0 to 3.5 | -0.3 to 3.8 | V | |
| | | Full range | 0 to 3 | | 0 to 3 | | | | |
| V_{OM} Maximum peak output voltage swing | Output low, No load | 25°C | 15 | 25 | | 15 | 25 | mV | |
| | Output low, $R_L = 600\ \Omega$ to GND | 25°C | 5 | 10 | | 5 | 10 | | |
| | | Full range | 13 | | 13 | | | | |
| | Output low, $I_{\text{sink}} = 1\text{ mA}$ | 25°C | 220 | 350 | | 220 | 350 | V | |
| | Output high, No load | 25°C | 4 | 4.4 | | 4 | 4.4 | | |
| | Output high, $R_L = 600\ \Omega$ to GND | 25°C | 3.4 | 4 | | 3.4 | 4 | | |
| Full range | | 3.2 | | 3.2 | | | | | |
| A_{VD} Large-signal differential voltage amplification | $V_O = 5\text{ mV}$ to 4 V , $R_L = 500\ \Omega$ | 25°C | 1 | | 1 | | $\text{V}/\mu\text{V}$ | | |
| I_{CC} Supply current per amplifier | | 25°C | 0.3 | 0.5 | | 0.3 | 0.5 | mA | |
| | | Full range | 0.55 | | 0.55 | | | | |

† Full range is -40°C to 105°C .

operating characteristics, $V_{CC+} = \pm 15\text{ V}$, $V_{IC} = 0$, $T_A = 25^\circ\text{C}$

| PARAMETER | TEST CONDITIONS | MIN | TYP | MAX | UNIT |
|---|---------------------------------------|------|-----|-----|------------------------------|
| SR Slew rate | | 0.2 | 0.4 | | $\text{V}/\mu\text{s}$ |
| V_n Equivalent input noise voltage | $f = 10\text{ Hz}$ | 24 | | | $\text{nV}/\sqrt{\text{Hz}}$ |
| | $f = 1\text{ kHz}$ | 22 | | | |
| $V_{N(PP)}$ Peak-to-peak equivalent input noise voltage | $f = 0.1\text{ Hz}$ to 10 Hz | 0.55 | | | μV |
| I_n Equivalent input noise current | $f = 10\text{ Hz}$ | 0.07 | | | $\text{pA}/\sqrt{\text{Hz}}$ |



LT1014, LT1014A, LT1014D QUAD PRECISION OPERATIONAL AMPLIFIERS

SLOS039D – JULY 1989 – REVISED AUGUST 2009

electrical characteristics at specified free-air temperature, $V_{CC\pm} = \pm 15\text{ V}$, $V_{IC} = 0$ (unless otherwise noted)

| PARAMETER | TEST CONDITIONS | T_A^\dagger | LT1014M | | | LT1014AM | | | LT1014DM | | | UNIT |
|--|---|---------------|---|-----------------|------|-------------|-----------------|-----|-------------|-----------------|------------------------------|------|
| | | | MIN | TYP ‡ | MAX | MIN | TYP ‡ | MAX | MIN | TYP ‡ | MAX | |
| V_{IO} Input offset voltage | $R_S = 50\ \Omega$ | 25°C | 60 | 300 | | 60 | 180 | | 200 | 800 | μV | |
| | | Full range | | | 550 | | 350 | | | 1000 | | |
| $\alpha_{V_{IO}}$ Temperature coefficient of input offset voltage | | Full range | 0.5 | 2.5 | | 0.5 | 2 | | 0.5 | 2.5 | $\mu\text{V}/^\circ\text{C}$ | |
| Long-term drift of input offset voltage | | 25°C | 0.5 | | | 0.5 | | | 0.5 | | $\mu\text{V}/\text{mo}$ | |
| I_{IO} Input offset current | | 25°C | 0.15 | 1.5 | | 0.15 | 0.8 | | 0.15 | 1.5 | nA | |
| | | Full range | | | 5 | | 2.8 | | | 5 | | |
| I_{IB} Input bias current | | 25°C | -12 | -30 | | -12 | -20 | | -12 | -30 | nA | |
| | | Full range | | | -45 | | -30 | | | -45 | | |
| V_{ICR} Common-mode input voltage range | | 25°C | -15 to 13.5 | -15.3 to 13.8 | | -15 to 13.5 | -15.3 to 13.8 | | -15 to 13.5 | -15.3 to 13.8 | V | |
| | | Full range | -14.9 to 13 | | | -14.9 to 13 | | | -14.9 to 13 | | | |
| V_{OM} Maximum peak output voltage swing | $R_L = 2\ \text{k}\Omega$ | 25°C | ± 12.5 | ± 14 | | ± 13 | ± 14 | | ± 12.5 | ± 14 | V | |
| | | Full range | ± 11.5 | | | ± 12 | | | ± 11.5 | | | |
| A_{VD} Large-signal differential voltage amplification | $V_O = \pm 10\ \text{V}$, $R_L = 600\ \Omega$ | 25°C | 0.5 | 2 | | 0.8 | 2.2 | | 0.5 | 2 | $\text{V}/\mu\text{V}$ | |
| | | 25°C | $V_O = \pm 10\ \text{V}$, $R_L = 2\ \text{k}\Omega$ | 1.2 | 8 | | 1.5 | 8 | | 1.2 | | 8 |
| | | | | Full range | 0.25 | | | 0.4 | | | | 0.25 |
| CMRR Common-mode rejection ratio | $V_{IC} = -15\ \text{V}$ to 13.5 V | 25°C | 97 | 117 | | 100 | 117 | | 97 | 117 | dB | |
| | | Full range | 94 | | | 96 | | | 94 | | | |
| k_{SVR} Supply-voltage rejection ratio ($\Delta V_{CC}/\Delta V_{IO}$) | $V_{CC\pm} = \pm 2\ \text{V}$ to $\pm 18\ \text{V}$ | 25°C | 100 | 117 | | 103 | 117 | | 100 | 117 | dB | |
| | | Full range | 97 | | | 100 | | | 97 | | | |
| Channel separation | $V_O = \pm 10\ \text{V}$, $R_L = 2\ \text{k}\Omega$ | 25°C | 120 | 137 | | 123 | 137 | | 120 | 137 | dB | |
| r_{id} Differential input resistance | | 25°C | 70 | 300 | | 100 | 300 | | 70 | 300 | $\text{M}\Omega$ | |
| r_{ic} Common-mode input resistance | | 25°C | 4 | | | 4 | | | 4 | | $\text{G}\Omega$ | |
| I_{CC} Supply current per amplifier | | 25°C | 0.35 | 0.55 | | 0.35 | 0.50 | | 0.35 | 0.55 | mA | |
| | | Full range | | | 0.7 | | 0.6 | | | 0.7 | | |

† Full range is -55°C to 125°C .

‡ All typical values are at $T_A = 25^\circ\text{C}$.



LT1014, LT1014A, LT1014D QUAD PRECISION OPERATIONAL AMPLIFIERS

SLOS039D – JULY 1989 – REVISED AUGUST 2009

electrical characteristics at specified free-air temperature, $V_{CC+} = 5\text{ V}$, $V_{CC-} = 0$, $V_O = 1.4\text{ V}$, $V_{IC} = 0$ (unless otherwise noted)

| PARAMETER | TEST CONDITIONS | T_A^\dagger | LT1014M | | | LT1014AM | | | LT1014DM | | | UNIT |
|--|--|---------------|----------|-------------|-----|----------|-------------|-----|----------|-------------|------------------------|------|
| | | | MIN | TYP | MAX | MIN | TYP | MAX | MIN | TYP | MAX | |
| V_{IO} Input offset voltage | $R_S = 50\Omega$ | 25°C | 90 | 450 | | 90 | 280 | | 250 | 950 | μV | |
| | | Full range | 400 | 1500 | | 400 | 960 | | 800 | 2000 | | |
| | $R_S = 50\Omega$, $V_{IC} = 0.1\text{ V}$ | 125°C | 200 | 750 | | 200 | 480 | | 560 | 1200 | | |
| I_{IO} Input offset current | | 25°C | 0.2 | 2 | | 0.2 | 1.3 | | 0.2 | 2 | nA | |
| | | Full range | | 10 | | | 7 | | | 10 | | |
| I_{IB} Input bias current | | 25°C | -15 | -50 | | -15 | -35 | | -15 | -50 | nA | |
| | | Full range | | -120 | | | -90 | | | -120 | | |
| V_{ICR} Common-mode input voltage range | | 25°C | 0 to 3.5 | -0.3 to 3.8 | | 0 to 3.5 | -0.3 to 3.8 | | 0 to 3.5 | -0.3 to 3.8 | V | |
| | | Full range | 0.1 to 3 | | | 0.1 to 3 | | | 0.1 to 3 | | | |
| V_{OM} Maximum peak output voltage swing | Output low, No load | 25°C | 15 | 25 | | 15 | 25 | | 15 | 25 | mV | |
| | Output low, $R_L = 600\Omega$ to GND | 25°C | 5 | 10 | | 5 | 10 | | 5 | 10 | | |
| | | Full range | | 18 | | | 15 | | | 18 | | |
| | Output low, $I_{sink} = 1\text{ mA}$ | 25°C | 220 | 350 | | 220 | 350 | | 220 | 350 | V | |
| | Output high, No load | 25°C | 4 | 4.4 | | 4 | 4.4 | | 4 | 4.4 | | |
| | Output high, $R_L = 600\Omega$ to GND | Full range | 3.1 | | | 3.2 | | | 3.1 | | | |
| A_{VD} Large-signal differential voltage amplification | $V_O = 5\text{ mV}$ to 4 V, $R_L = 500\Omega$ | 25°C | | 1 | | | 1 | | | 1 | $\text{V}/\mu\text{V}$ | |
| I_{CC} Supply current per amplifier | | 25°C | 0.3 | 0.5 | | 0.3 | 0.45 | | 0.3 | 0.5 | mA | |
| | | Full range | | 0.65 | | | 0.55 | | | 0.65 | | |

† Full range is -55°C to 125°C.

operating characteristics, $V_{CC\pm} = \pm 15\text{ V}$, $V_{IC} = 0$, $T_A = 25^\circ\text{C}$

| PARAMETER | | TEST CONDITIONS | MIN | TYP | MAX | UNIT |
|-------------|---|------------------------------|-----|------|-----|------------------------------|
| SR | Slew rate | | 0.2 | 0.4 | | $\text{V}/\mu\text{s}$ |
| V_n | Equivalent input noise voltage | $f = 10\text{ Hz}$ | | 24 | | $\text{nV}/\sqrt{\text{Hz}}$ |
| | | $f = 1\text{ kHz}$ | | 22 | | |
| $V_{N(PP)}$ | Peak-to-peak equivalent input noise voltage | $f = 0.1\text{ Hz}$ to 10 Hz | | 0.55 | | μV |
| I_n | Equivalent input noise current | $f = 10\text{ Hz}$ | | 0.07 | | $\text{pA}/\sqrt{\text{Hz}}$ |



TYPICAL CHARACTERISTICS

Table of Graphs

| | | FIGURE | |
|-----------------|--|--------------------|-------|
| V_{IO} | Input offset voltage vs Balanced source resistance | 1 | |
| V_{IO} | Input offset voltage vs Free-air temperature | 2 | |
| ΔV_{IO} | Warm-Up Change in input offset voltage vs Elapsed time | 3 | |
| I_{IO} | Input offset current vs Free-air temperature | 4 | |
| I_{IB} | Input bias current vs Free-air temperature | 5 | |
| V_{IC} | Common-mode input voltage vs Input bias current | 6 | |
| A_{VD} | Differential voltage amplification | vs Load resistance | 7, 8 |
| | | vs Frequency | 9, 10 |
| | Channel separation vs Frequency | 11 | |
| | Output saturation voltage vs Free-air temperature | 12 | |
| CMRR | Common-mode rejection ratio vs Frequency | 13 | |
| k_{SVR} | Supply-voltage rejection ratio vs Frequency | 14 | |
| I_{CC} | Supply current vs Free-air temperature | 15 | |
| I_{OS} | Short-circuit output current vs Elapsed time | 16 | |
| V_n | Equivalent input noise voltage vs Frequency | 17 | |
| I_n | Equivalent input noise current vs Frequency | 17 | |
| $V_{N(PP)}$ | Peak-to-peak input noise voltage vs Time | 18 | |
| | Pulse response (small signal) vs Time | 19, 21 | |
| | Pulse response (large signal) vs Time | 20, 22, 23 | |
| | Phase shift vs Frequency | 9 | |

LT1014, LT1014A, LT1014D QUAD PRECISION OPERATIONAL AMPLIFIERS

SLOS039D – JULY 1989 – REVISED AUGUST 2009

TYPICAL CHARACTERISTICS†

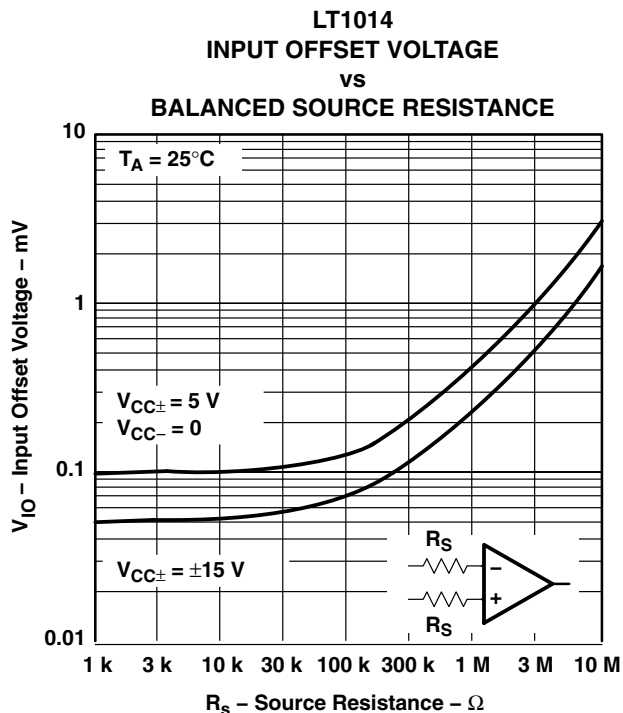


Figure 1

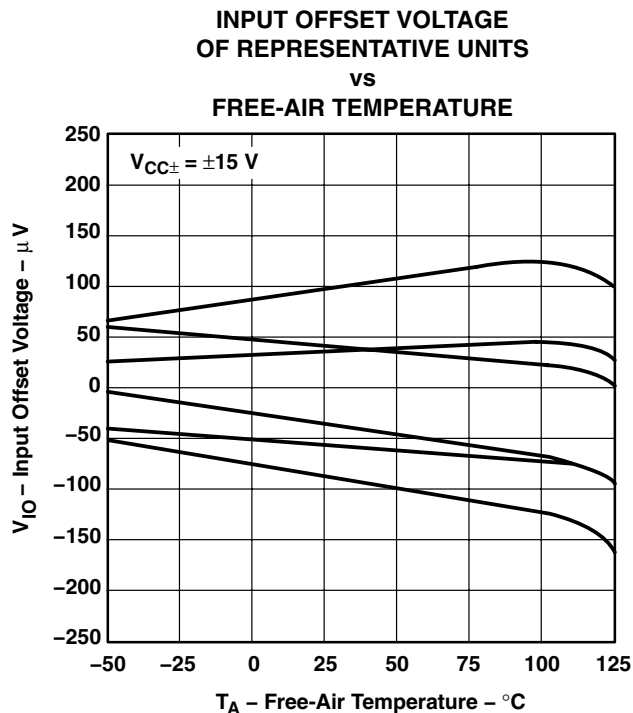


Figure 2

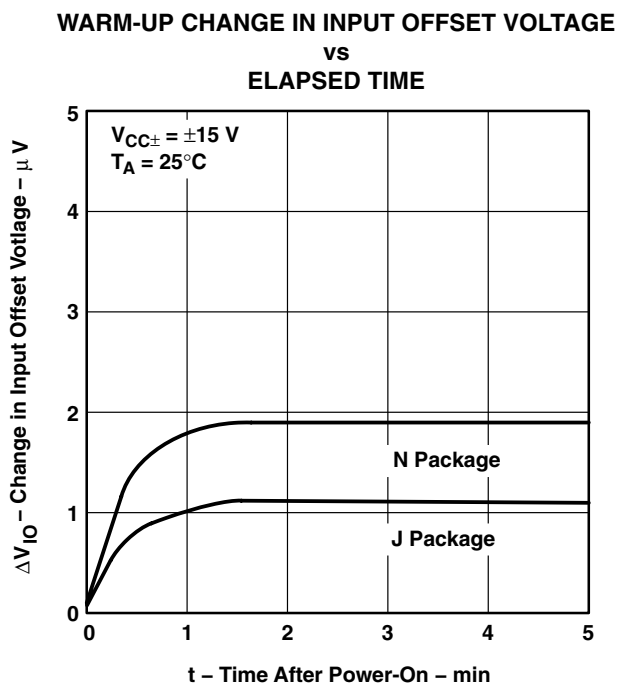


Figure 3

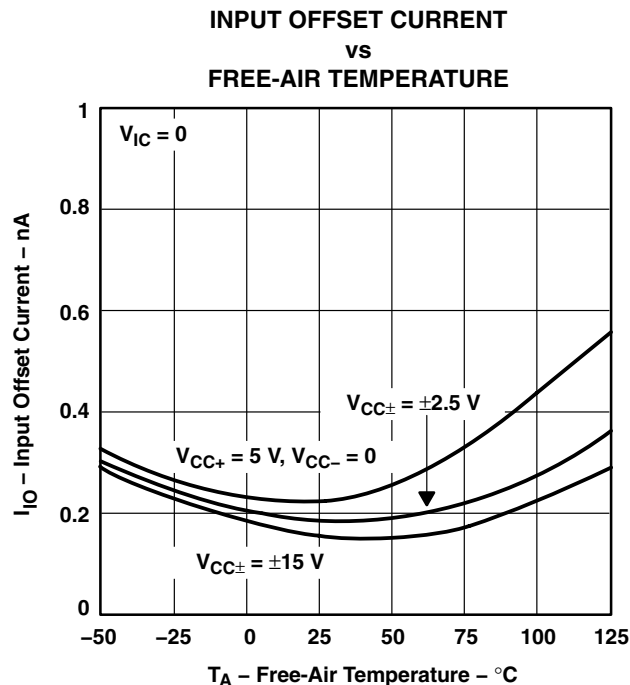
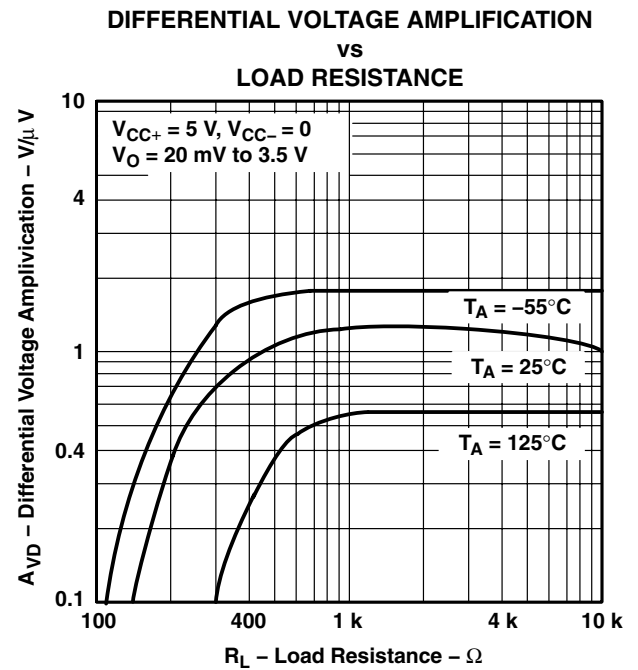
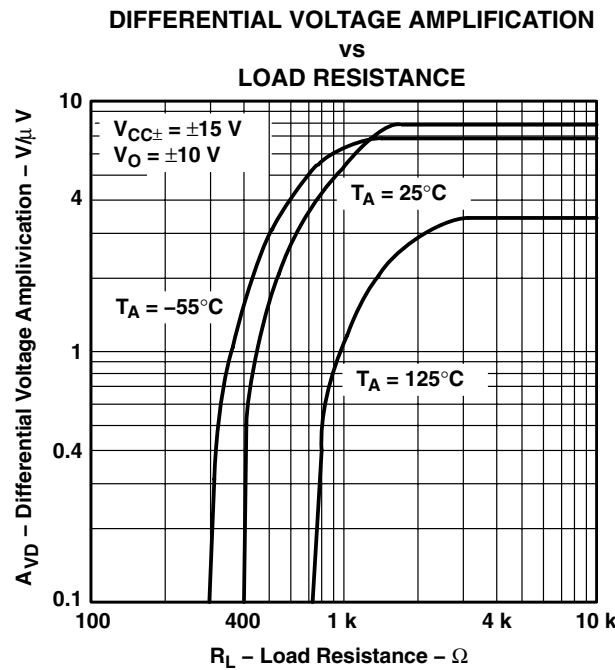
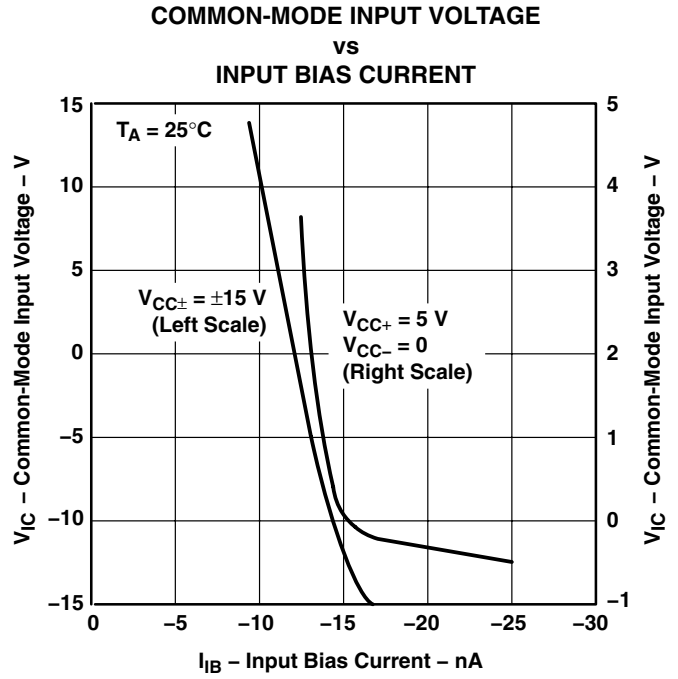
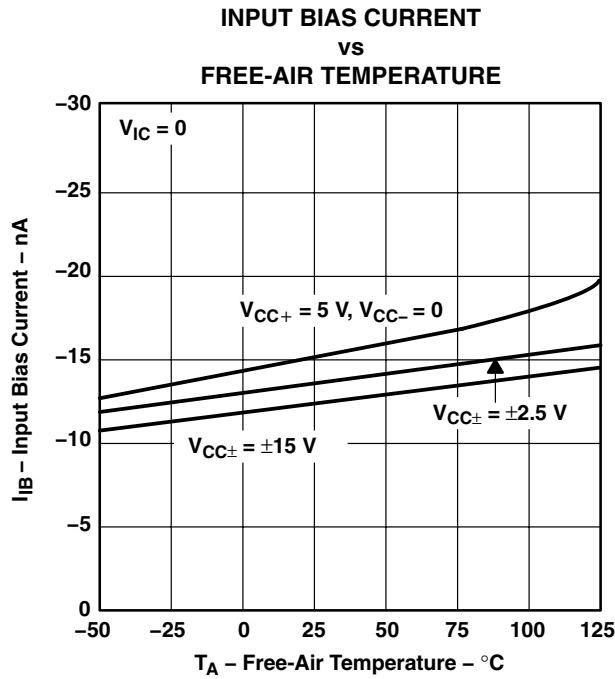


Figure 4

† Data at high and low temperatures are applicable only within the rated operating free-air temperature ranges of the various devices.

TYPICAL CHARACTERISTICS†



† Data at high and low temperatures are applicable only within the rated operating free-air temperature ranges of the various devices.

LT1014, LT1014A, LT1014D QUAD PRECISION OPERATIONAL AMPLIFIERS

SLOS039D – JULY 1989 – REVISED AUGUST 2009

TYPICAL CHARACTERISTICS†

**DIFFERENTIAL VOLTAGE AMPLIFICATION
AND PHASE SHIFT
vs
FREQUENCY**

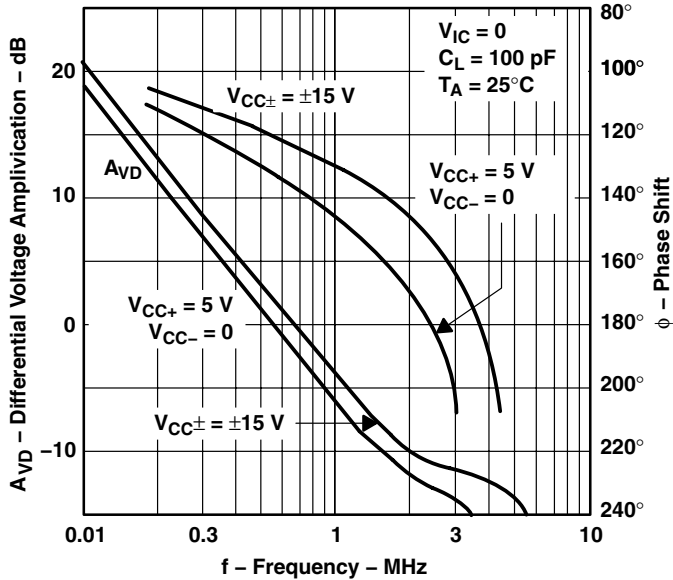


Figure 9

**DIFFERENTIAL VOLTAGE AMPLIFICATION
vs
FREQUENCY**

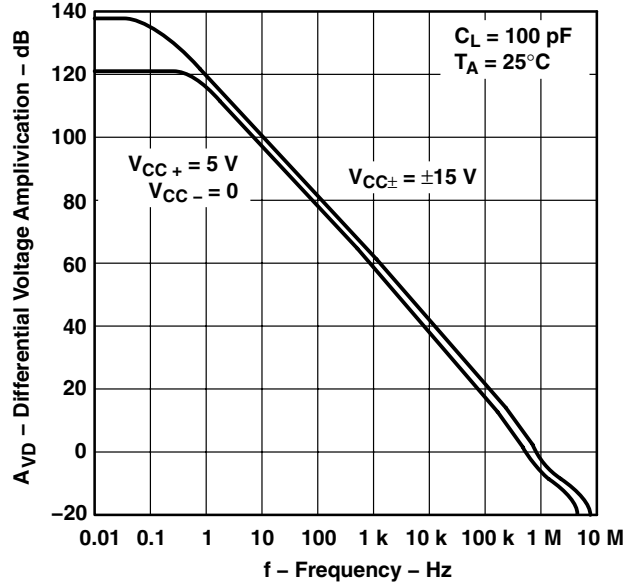


Figure 10

**CHANNEL SEPARATION
vs
FREQUENCY**

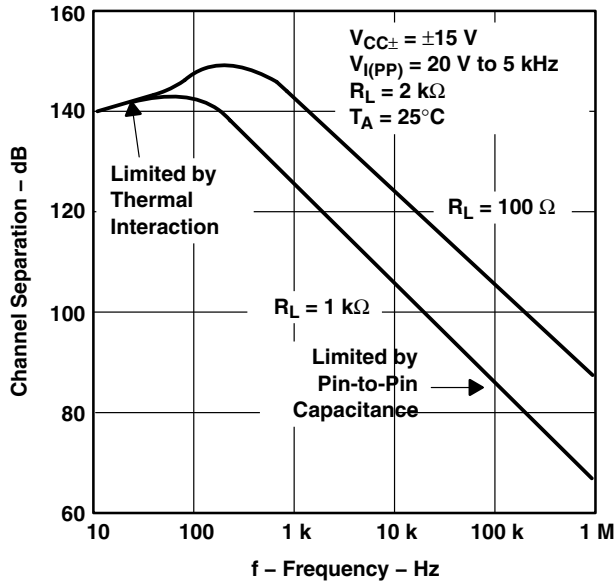


Figure 11

**OUTPUT SATURATION VOLTAGE
vs
FREE-AIR TEMPERATURE**

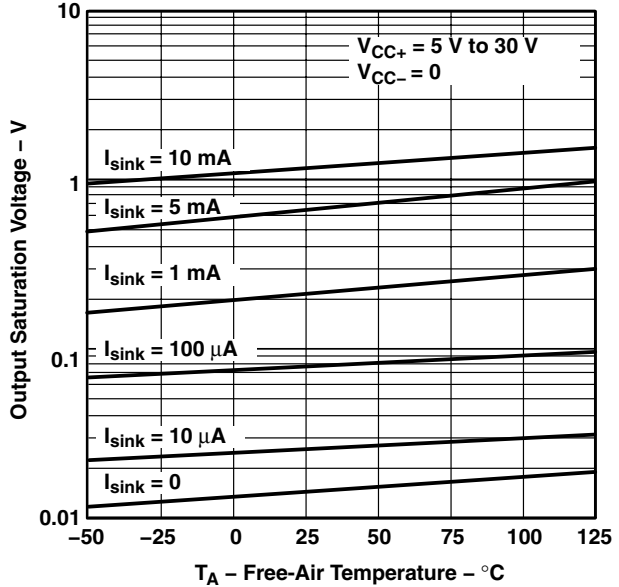
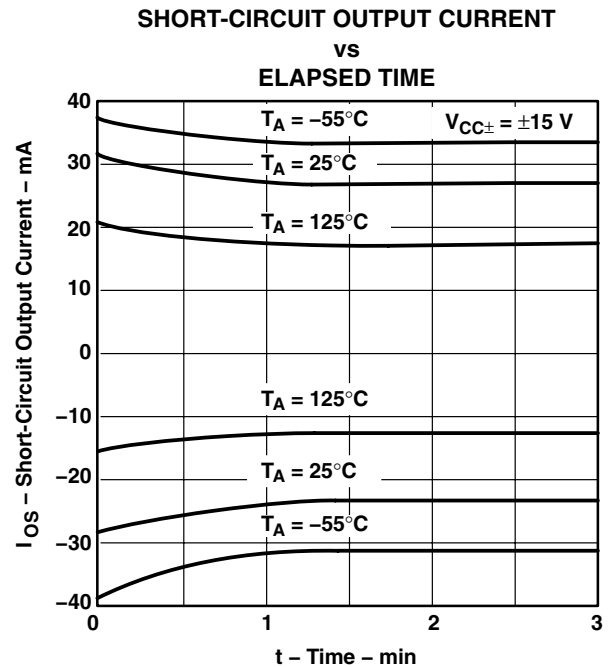
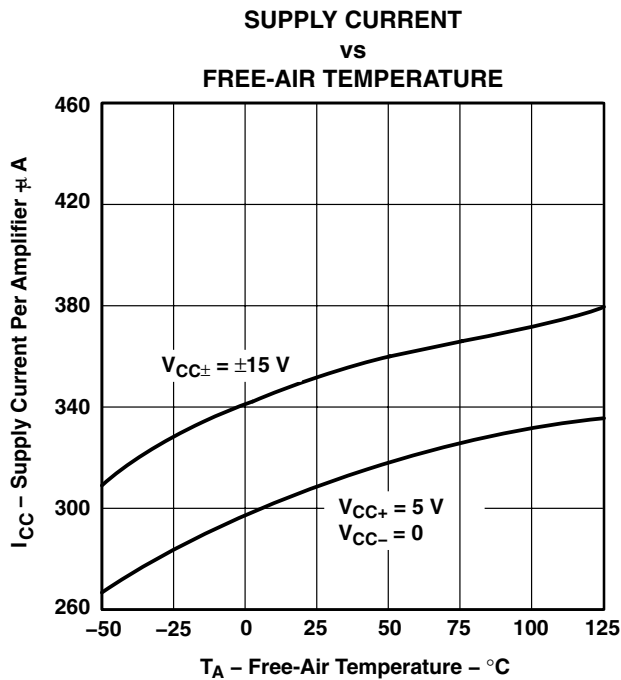
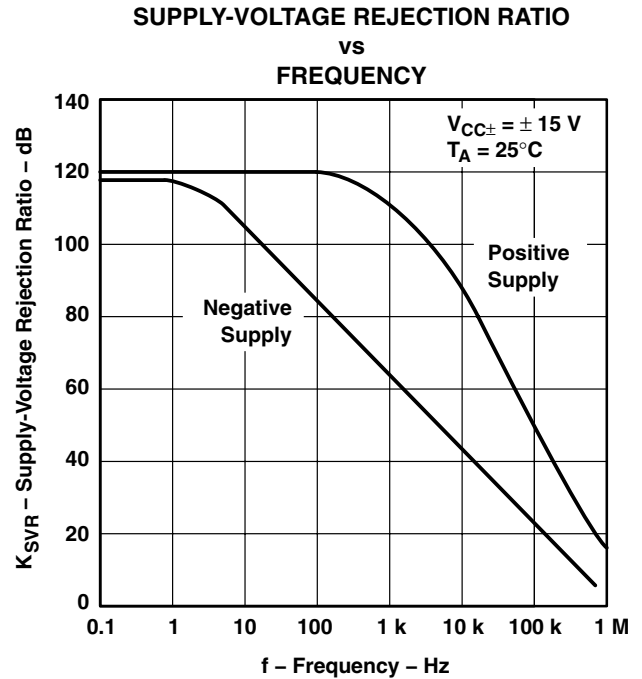
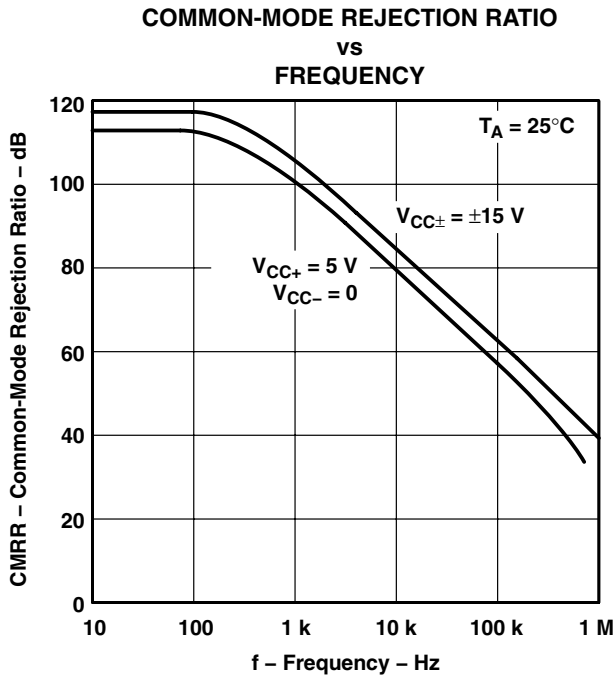


Figure 12

† Data at high and low temperatures are applicable only within the rated operating free-air temperature ranges of the various devices.

TYPICAL CHARACTERISTICS†



† Data at high and low temperatures are applicable only within the rated operating free-air temperature ranges of the various devices.

LT1014, LT1014A, LT1014D QUAD PRECISION OPERATIONAL AMPLIFIERS

SLOS039D – JULY 1989 – REVISED AUGUST 2009

TYPICAL CHARACTERISTICS

**EQUIVALENT INPUT NOISE VOLTAGE
AND EQUIVALENT INPUT NOISE CURRENT
vs
FREQUENCY**

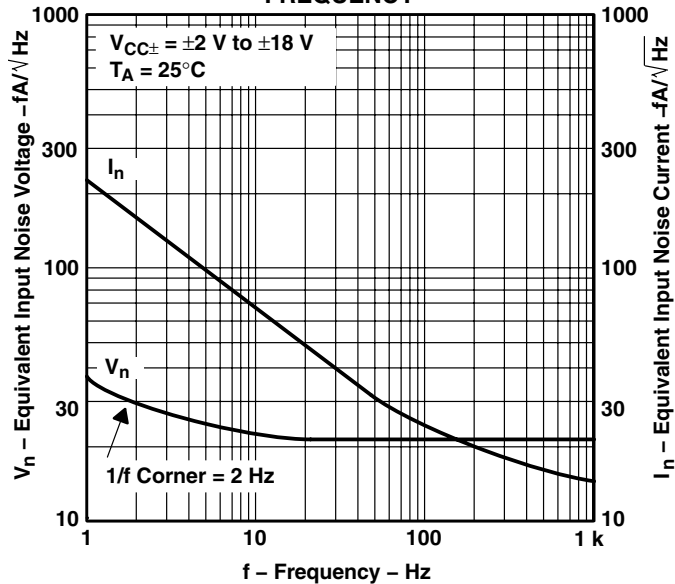


Figure 17

**PEAK-TO-PEAK INPUT NOISE VOLTAGE
OVER A 10-SECOND PERIOD
vs
TIME**

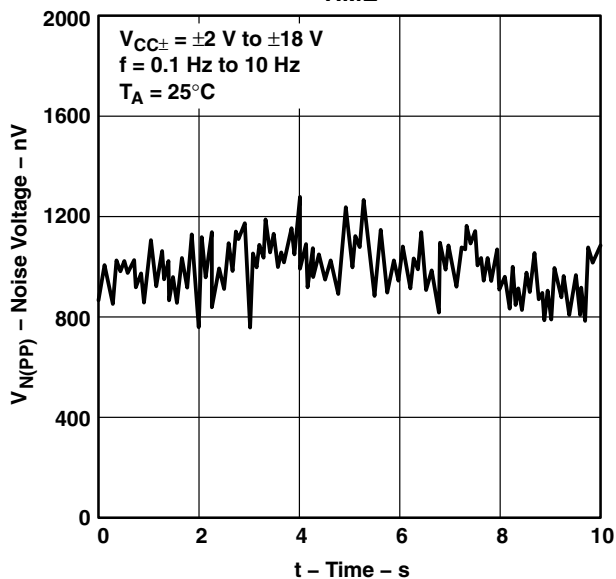


Figure 18

**VOLTAGE-FOLLOWER SMALL-SIGNAL
PULSE RESPONSE
vs
TIME**

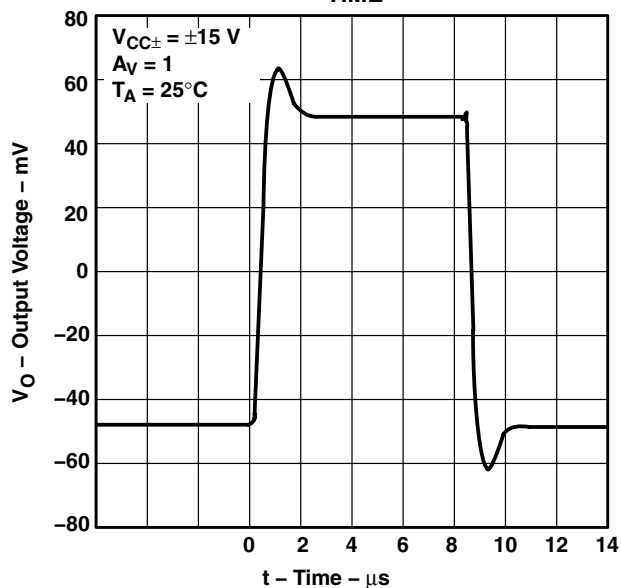


Figure 19

**VOLTAGE-FOLLOWER LARGE-SIGNAL
PULSE RESPONSE
vs
TIME**

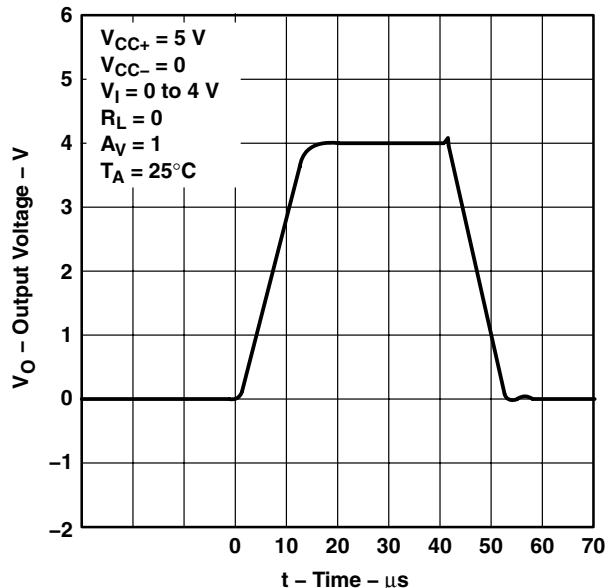


Figure 20



TYPICAL CHARACTERISTICS

VOLTAGE-FOLLOWER SMALL-SIGNAL
 PULSE RESPONSE

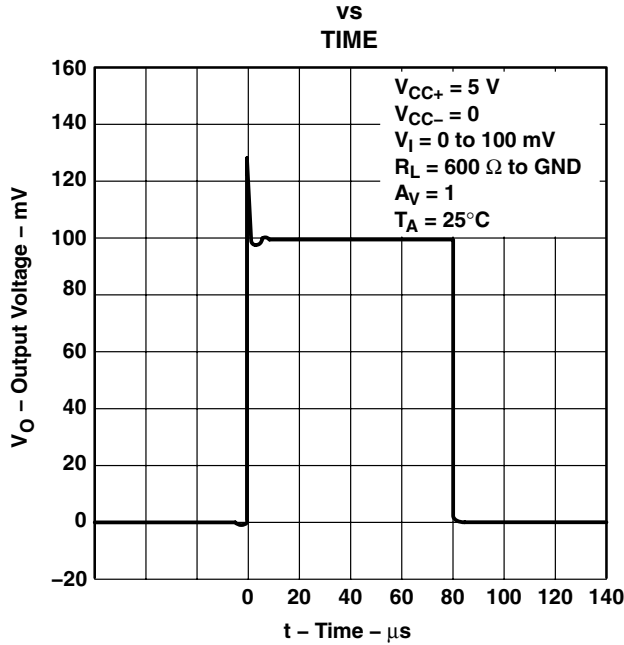


Figure 21

VOLTAGE-FOLLOWER LARGE-SIGNAL
 PULSE RESPONSE

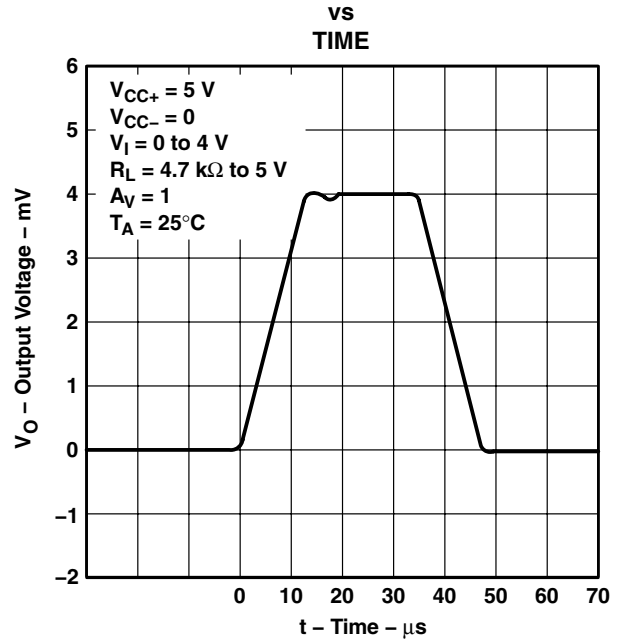


Figure 22

VOLTAGE-FOLLOWER LARGE-SIGNAL
 PULSE RESPONSE

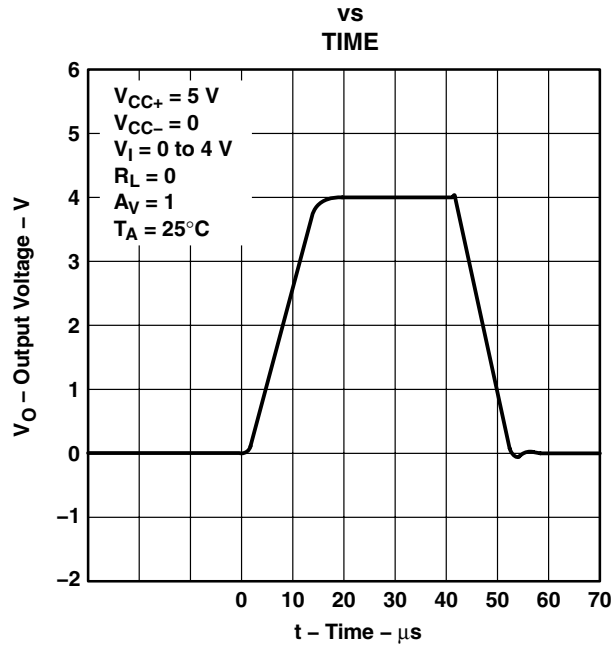


Figure 23

LT1014, LT1014A, LT1014D QUAD PRECISION OPERATIONAL AMPLIFIERS

SLOS039D – JULY 1989 – REVISED AUGUST 2009

APPLICATION INFORMATION

single-supply operation

The LT1014 is fully specified for single-supply operation ($V_{CC-} = 0$). The common-mode input voltage range includes ground, and the output swings within a few millivolts of ground.

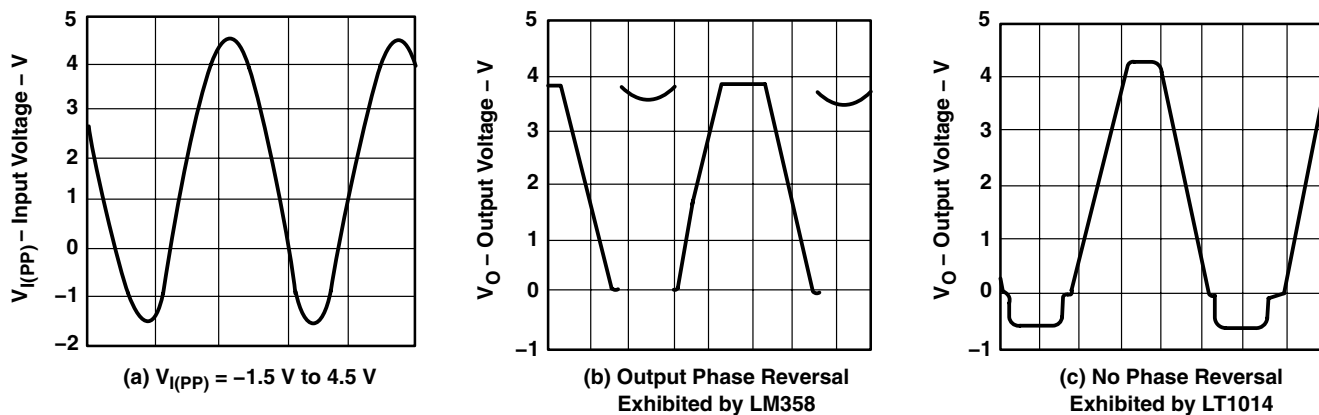
Furthermore, the LT1014 has specific circuitry that addresses the difficulties of single-supply operation, both at the input and at the output. At the input, the driving signal can fall below 0 V, either inadvertently or on a transient basis. If the input is more than a few hundred millivolts below ground, the LT1014 is designed to deal with the following two problems that can occur:

1. On many other operational amplifiers, when the input is more than a diode drop below ground, unlimited current flows from the substrate (V_{CC-} terminal) to the input, which can destroy the unit. On the LT1014, the 400- Ω resistors in series with the input (see schematic) protect the device even when the input is 5 V below ground.
2. When the input is more than 400 mV below ground (at $T_A = 25^\circ\text{C}$), the input stage of similar type operational amplifiers saturates, and phase reversal occurs at the output. This can cause lockup in servo systems. Because of unique phase-reversal protection circuitry (Q21, Q22, Q27, and Q28), the LT1014 outputs do not reverse, even when the inputs are at -1.5 V (see Figure 24).

However, this phase-reversal protection circuitry does not function when the other operational amplifier on the LT1014 is driven hard into negative saturation at the output. Phase-reversal protection does not work on an amplifier:

- When 4's output is in negative saturation (the outputs of 2 and 3 have no effect)
- When 3's output is in negative saturation (the outputs of 1 and 4 have no effect)
- When 2's output is in negative saturation (the outputs of 1 and 4 have no effect)
- When 1's output is in negative saturation (the outputs of 2 and 3 have no effect)

At the output, other single-supply designs either cannot swing to within 600 mV of ground or cannot sink more than a few microamperes while swinging to ground. The all-npn output stage of the LT1014 maintains its low output resistance and high gain characteristics until the output is saturated. In dual-supply operations, the output stage is free of crossover distortion.



**Figure 24. Voltage-Follower Response
With Input Exceeding the Negative Common-Mode Input Voltage Range**

APPLICATION INFORMATION

comparator applications

The single-supply operation of the LT1014 can be used as a precision comparator with TTL-compatible output. In systems using both operational amplifiers and comparators, the LT1014 can perform multiple duties (see Figures 25 and 26).

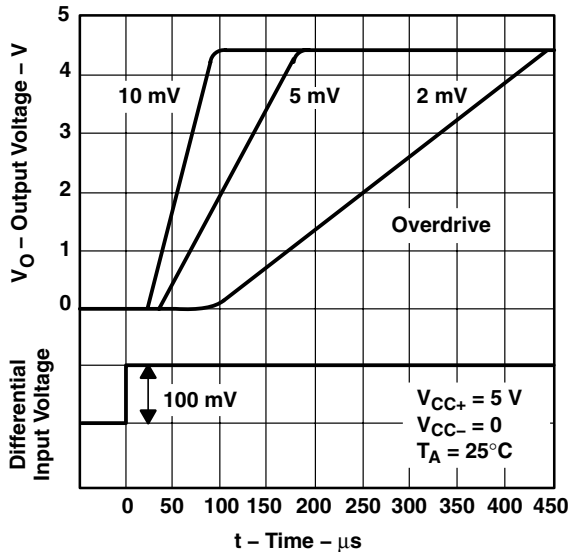


Figure 25. Low-to-High-Level Output Response for Various Input Overdrives

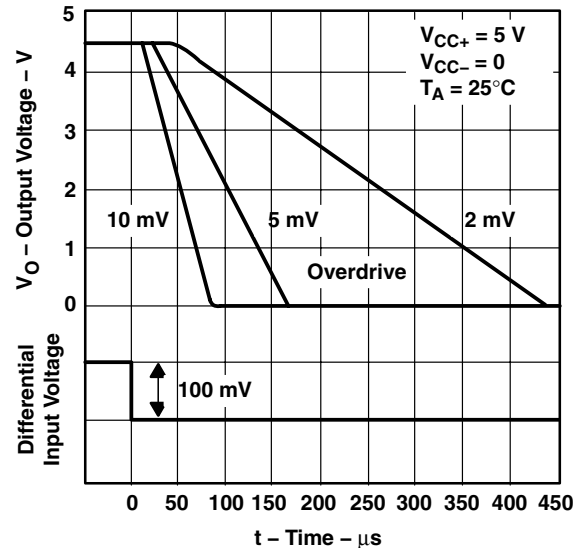


Figure 26. High-to-Low-Level Output Response for Various Input Overdrives

low-supply operation

The minimum supply voltage for proper operation of the LT1014 is 3.4 V (three Ni-Cad batteries). Typical supply current at this voltage is 290 μ A; therefore, power dissipation is only 1 mW per amplifier.

offset voltage and noise testing

Figure 30 shows the test circuit for measuring input offset voltage and its temperature coefficient. This circuit with supply voltages increased to ± 20 V is also used as the burn-in configuration.

The peak-to-peak equivalent input noise voltage of the LT1014 is measured using the test circuit shown in Figure 27. The frequency response of the noise tester indicates that the 0.1-Hz corner is defined by only one zero. The test time to measure 0.1-Hz to 10-Hz noise should not exceed 10 seconds, as this time limit acts as an additional zero to eliminate noise contribution from the frequency band below 0.1 Hz.

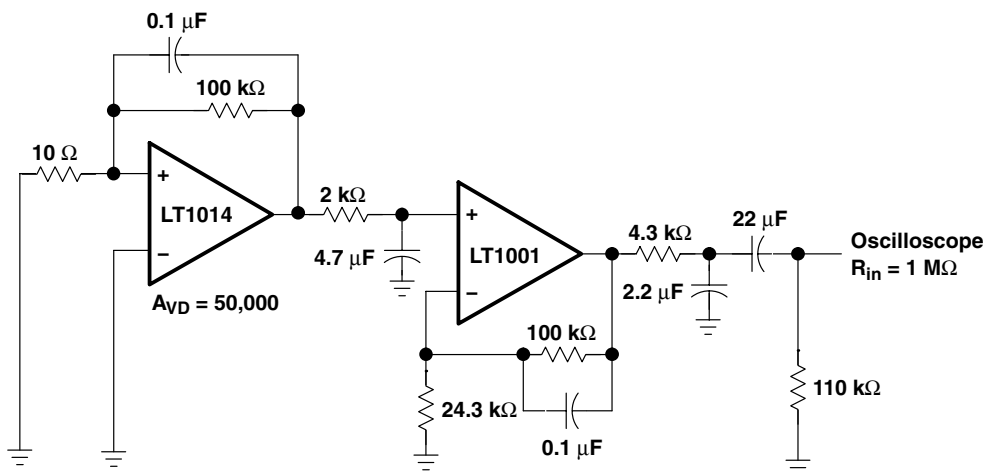
An input noise-voltage test is recommended when measuring the noise of a large number of units. A 10-Hz input noise-voltage measurement correlates well with a 0.1-Hz peak-to-peak noise reading because both results are determined by the white noise and the location of the 1/f corner frequency.

Noise current is measured by the circuit and formula shown in Figure 28. The noise of the source resistors is subtracted.

LT1014, LT1014A, LT1014D QUAD PRECISION OPERATIONAL AMPLIFIERS

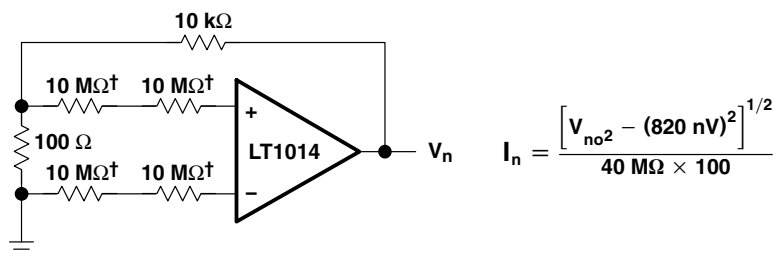
SLOS039D – JULY 1989 – REVISED AUGUST 2009

APPLICATION INFORMATION



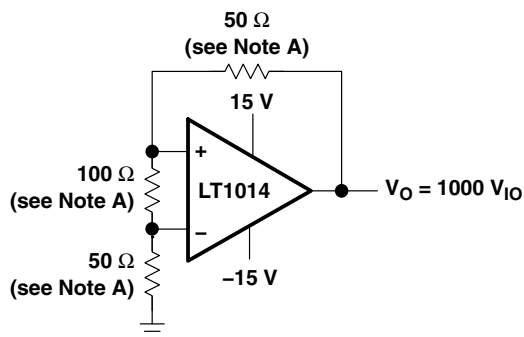
NOTE A: All capacitor values are for nonpolarized capacitors only.

Figure 27. 0.1-Hz to 10-Hz Peak-to-Peak Noise Test Circuit



† Metal-film resistor

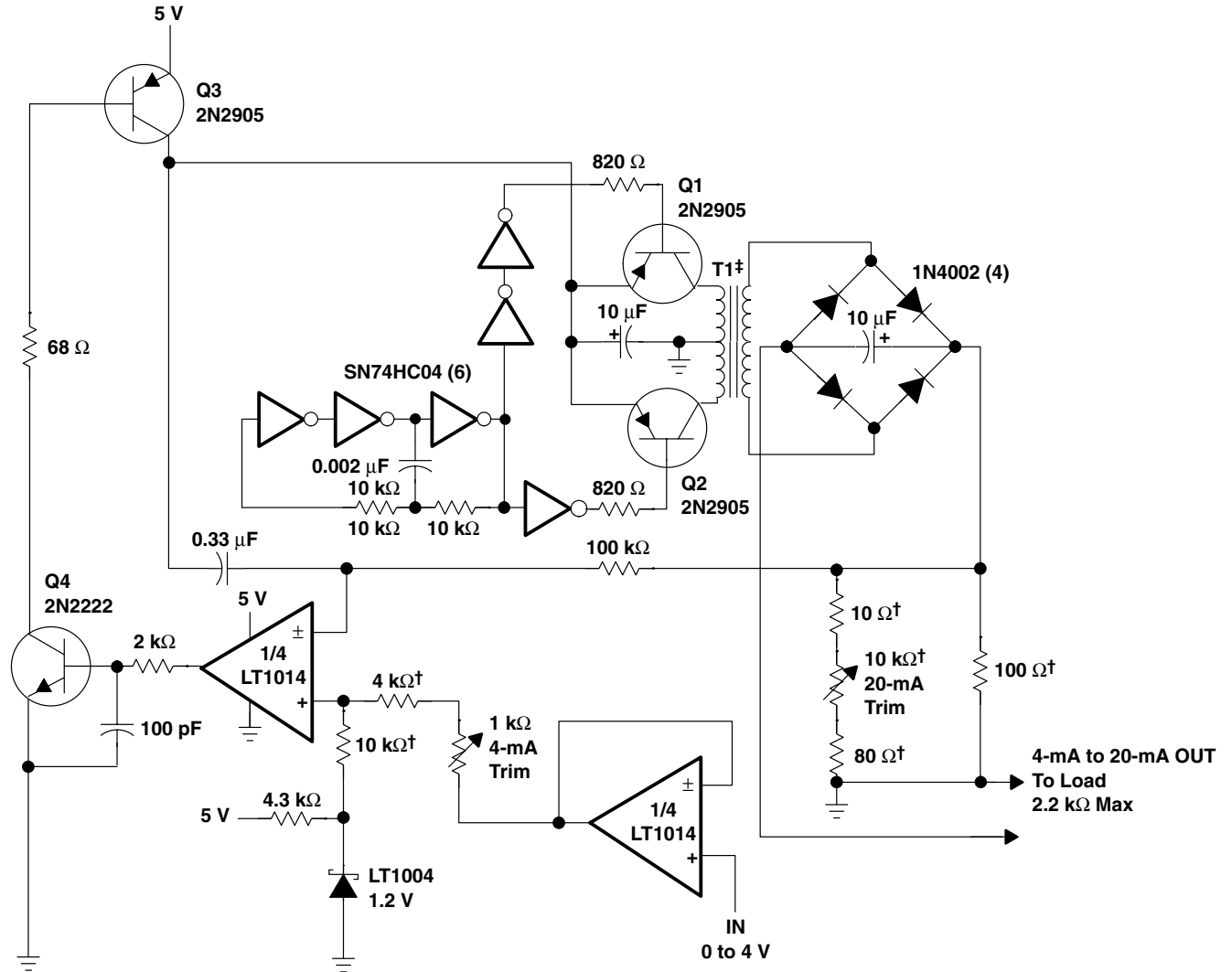
Figure 28. Noise-Current Test Circuit and Formula



NOTE A: Resistors must have low thermoelectric potential.

Figure 29. Test Circuit for V_{IO} and αV_{IO}

APPLICATION INFORMATION



† 1% film resistor. Match 10-kΩ resistors 0.05%.

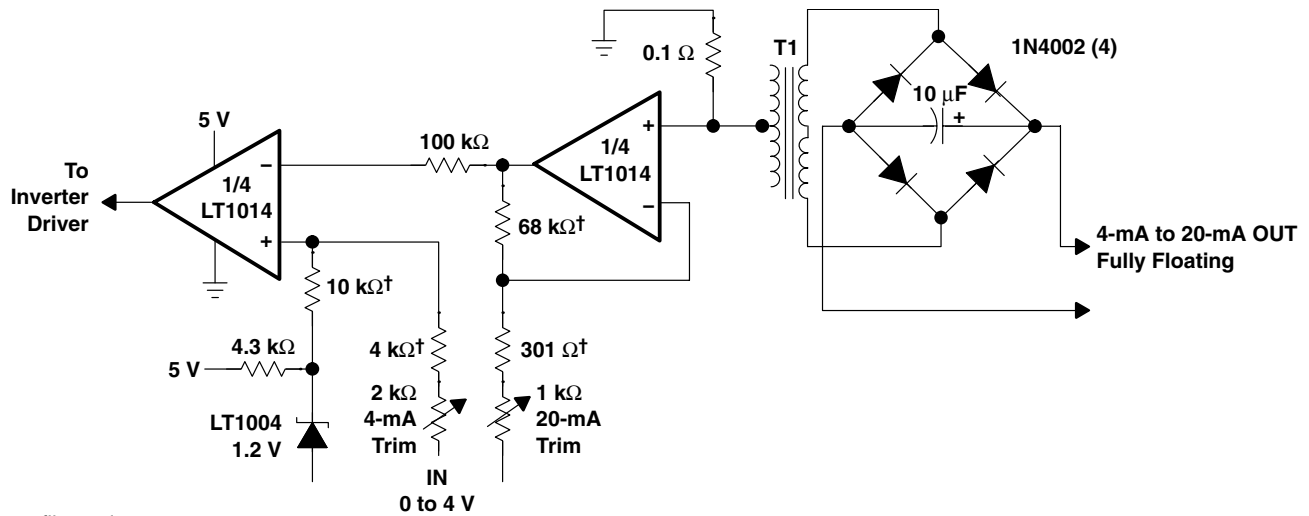
‡ T1 = PICO-31080

Figure 30. 5-V Powered, 4-mA to 20-mA Current-Loop Transmitter With 12-Bit Accuracy

LT1014, LT1014A, LT1014D QUAD PRECISION OPERATIONAL AMPLIFIERS

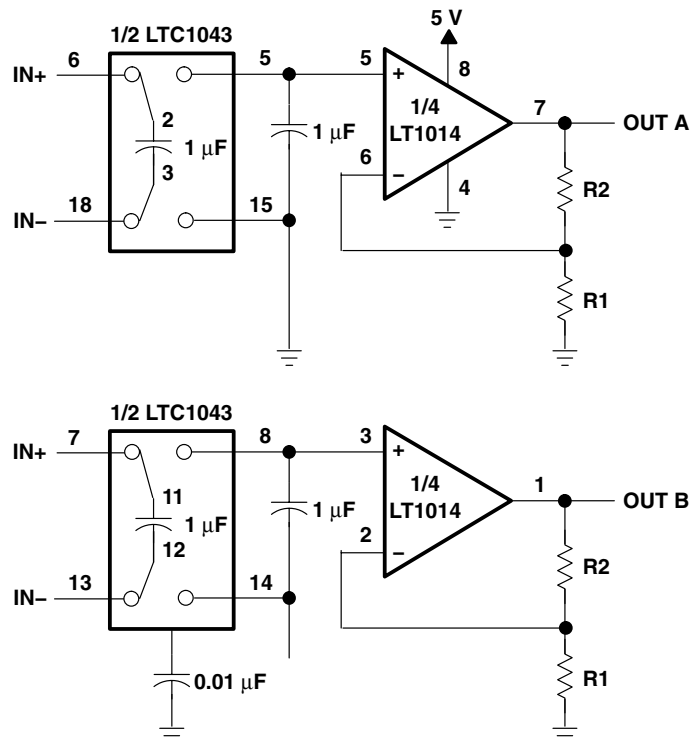
SLOS039D – JULY 1989 – REVISED AUGUST 2009

APPLICATION INFORMATION



† 1% film resistor

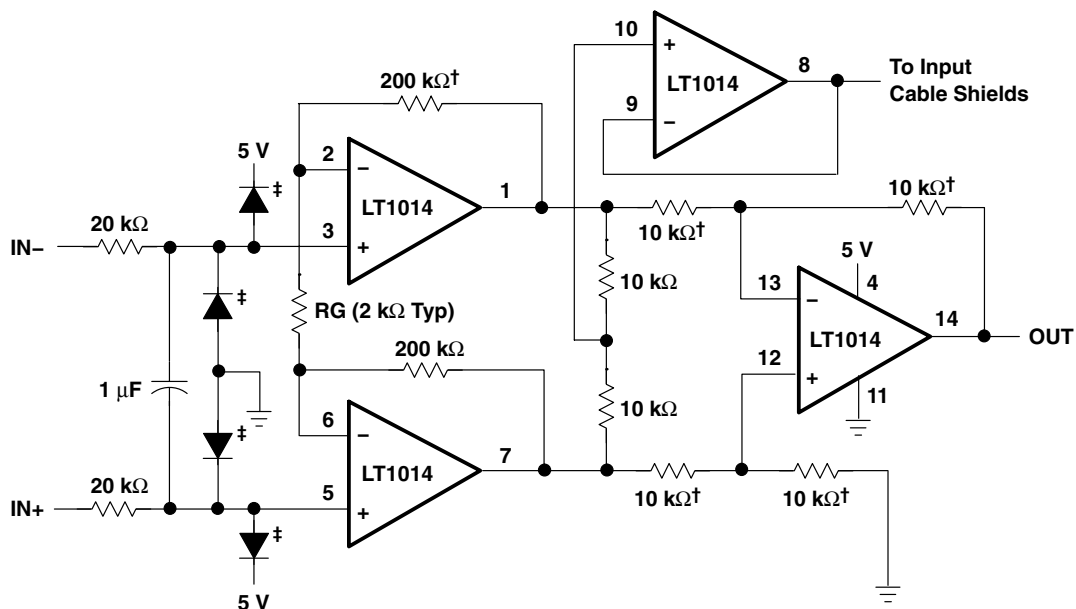
Figure 31. Fully Floating Modification to 4-mA to 20-mA Current-Loop Transmitter With 8-Bit Accuracy



NOTE A: $V_{IO} = 150 \mu\text{V}$, $A_{VD} = (R1/R2) + 1$, $\text{CMRR} = 120 \text{ dB}$, $V_{ICR} = 0 \text{ to } 5 \text{ V}$

Figure 32. 5-V Single-Supply Dual Instrumentation Amplifier

APPLICATION INFORMATION



† † 1% film resistor. Match 10-kΩ resistors 0.05%.

‡ For high source impedances, use 2N2222 as diodes (with collector connected to base).

NOTE A: $A_{VD} = (400,000/RG) + 1$

Figure 33. 5-V Powered Precision Instrumentation Amplifier

PACKAGING INFORMATION

| Orderable Device | Status (1) | Package Type | Package Drawing | Pins | Package Qty | Eco Plan (2) | Lead/Ball Finish (6) | MSL Peak Temp (3) | Op Temp (°C) | Device Marking (4/5) | Samples |
|------------------|---------------|--------------|--------------------|------|----------------|----------------------------|-------------------------|----------------------|--------------|---------------------------------------|-------------------------|
| 5962-89677012A | ACTIVE | LCCC | FK | 20 | 1 | TBD | POST-PLATE | N / A for Pkg Type | -55 to 125 | 5962- 89677012A LT1014 AMFKB | Samples |
| 5962-8967701CA | ACTIVE | CDIP | J | 14 | 1 | TBD | A42 | N / A for Pkg Type | -55 to 125 | 5962-8967701CA LT1014AMJB | Samples |
| 5962-89677022A | ACTIVE | LCCC | FK | 20 | 1 | TBD | POST-PLATE | N / A for Pkg Type | -55 to 125 | 5962- 89677022A LT1014MFKB | Samples |
| 5962-8967702CA | ACTIVE | CDIP | J | 14 | 1 | TBD | A42 | N / A for Pkg Type | -55 to 125 | 5962-8967702CA LT1014MJB | Samples |
| LT1014AMFKB | ACTIVE | LCCC | FK | 20 | 1 | TBD | POST-PLATE | N / A for Pkg Type | | 5962- 89677012A LT1014 AMFKB | Samples |
| LT1014AMJ | ACTIVE | CDIP | J | 14 | 1 | TBD | A42 | N / A for Pkg Type | | LT1014AMJ | Samples |
| LT1014AMJB | ACTIVE | CDIP | J | 14 | 1 | TBD | A42 | N / A for Pkg Type | | 5962-8967701CA LT1014AMJB | Samples |
| LT1014CN | ACTIVE | PDIP | N | 14 | 25 | Green (RoHS & no Sb/Br) | CU NIPDAU | N / A for Pkg Type | 0 to 70 | LT1014CN | Samples |
| LT1014CNE4 | ACTIVE | PDIP | N | 14 | 25 | Green (RoHS & no Sb/Br) | CU NIPDAU | N / A for Pkg Type | 0 to 70 | LT1014CN | Samples |
| LT1014DDW | ACTIVE | SOIC | DW | 16 | 40 | Green (RoHS & no Sb/Br) | CU NIPDAU | Level-1-260C-UNLIM | 0 to 70 | LT1014D | Samples |
| LT1014DDWE4 | ACTIVE | SOIC | DW | 16 | 40 | Green (RoHS & no Sb/Br) | CU NIPDAU | Level-1-260C-UNLIM | 0 to 70 | LT1014D | Samples |
| LT1014DDWG4 | ACTIVE | SOIC | DW | 16 | 40 | Green (RoHS & no Sb/Br) | CU NIPDAU | Level-1-260C-UNLIM | 0 to 70 | LT1014D | Samples |
| LT1014DDWR | ACTIVE | SOIC | DW | 16 | 2000 | Green (RoHS & no Sb/Br) | CU NIPDAU | Level-1-260C-UNLIM | 0 to 70 | LT1014D | Samples |
| LT1014DDWRE4 | ACTIVE | SOIC | DW | 16 | 2000 | Green (RoHS & no Sb/Br) | CU NIPDAU | Level-1-260C-UNLIM | 0 to 70 | LT1014D | Samples |
| LT1014DIDW | ACTIVE | SOIC | DW | 16 | 40 | Green (RoHS & no Sb/Br) | CU NIPDAU | Level-1-260C-UNLIM | -40 to 105 | LT1014DI | Samples |

| Orderable Device | Status (1) | Package Type | Package Drawing | Pins | Package Qty | Eco Plan (2) | Lead/Ball Finish (6) | MSL Peak Temp (3) | Op Temp (°C) | Device Marking (4/5) | Samples |
|------------------|---------------|--------------|-----------------|------|-------------|-------------------------|-------------------------|----------------------|--------------|------------------------------|-------------------------|
| LT1014DIDWG4 | ACTIVE | SOIC | DW | 16 | 40 | Green (RoHS & no Sb/Br) | CU NIPDAU | Level-1-260C-UNLIM | -40 to 105 | LT1014DI | Samples |
| LT1014DIDWR | ACTIVE | SOIC | DW | 16 | 2000 | Green (RoHS & no Sb/Br) | CU NIPDAU | Level-1-260C-UNLIM | -40 to 105 | LT1014DI | Samples |
| LT1014DIN | ACTIVE | PDIP | N | 14 | 25 | Green (RoHS & no Sb/Br) | CU NIPDAU | N / A for Pkg Type | -40 to 105 | LT1014DIN | Samples |
| LT1014DINE4 | ACTIVE | PDIP | N | 14 | 25 | Green (RoHS & no Sb/Br) | CU NIPDAU | N / A for Pkg Type | -40 to 105 | LT1014DIN | Samples |
| LT1014DMDW | ACTIVE | SOIC | DW | 16 | 40 | Green (RoHS & no Sb/Br) | CU NIPDAU | Level-1-260C-UNLIM | -55 to 125 | LT1014DM | Samples |
| LT1014DMDWG4 | ACTIVE | SOIC | DW | 16 | 40 | Green (RoHS & no Sb/Br) | CU NIPDAU | Level-1-260C-UNLIM | -55 to 125 | LT1014DM | Samples |
| LT1014DN | ACTIVE | PDIP | N | 14 | 25 | Green (RoHS & no Sb/Br) | CU NIPDAU | N / A for Pkg Type | 0 to 70 | LT1014DN | Samples |
| LT1014MFKB | ACTIVE | LCCC | FK | 20 | 1 | TBD | POST-PLATE | N / A for Pkg Type | -55 to 125 | 5962-89677022A LT1014MFKB | Samples |
| LT1014MJ | ACTIVE | CDIP | J | 14 | 1 | TBD | A42 | N / A for Pkg Type | -55 to 125 | LT1014MJ | Samples |
| LT1014MJB | ACTIVE | CDIP | J | 14 | 1 | TBD | A42 | N / A for Pkg Type | | 5962-8967702CA LT1014MJB | Samples |

(1) The marketing status values are defined as follows:

ACTIVE: Product device recommended for new designs.

LIFEBUY: TI has announced that the device will be discontinued, and a lifetime-buy period is in effect.

NRND: Not recommended for new designs. Device is in production to support existing customers, but TI does not recommend using this part in a new design.

PREVIEW: Device has been announced but is not in production. Samples may or may not be available.

OBSOLETE: TI has discontinued the production of the device.

(2) **RoHS:** TI defines "RoHS" to mean semiconductor products that are compliant with the current EU RoHS requirements for all 10 RoHS substances, including the requirement that RoHS substance do not exceed 0.1% by weight in homogeneous materials. Where designed to be soldered at high temperatures, "RoHS" products are suitable for use in specified lead-free processes. TI may reference these types of products as "Pb-Free".

RoHS Exempt: TI defines "RoHS Exempt" to mean products that contain lead but are compliant with EU RoHS pursuant to a specific EU RoHS exemption.

Green: TI defines "Green" to mean the content of Chlorine (Cl) and Bromine (Br) based flame retardants meet JS709B low halogen requirements of <=1000ppm threshold. Antimony trioxide based flame retardants must also meet the <=1000ppm threshold requirement.

(3) MSL, Peak Temp. - The Moisture Sensitivity Level rating according to the JEDEC industry standard classifications, and peak solder temperature.

(4) There may be additional marking, which relates to the logo, the lot trace code information, or the environmental category on the device.

(5) Multiple Device Markings will be inside parentheses. Only one Device Marking contained in parentheses and separated by a "~" will appear on a device. If a line is indented then it is a continuation of the previous line and the two combined represent the entire Device Marking for that device.

(6) Lead/Ball Finish - Orderable Devices may have multiple material finish options. Finish options are separated by a vertical ruled line. Lead/Ball Finish values may wrap to two lines if the finish value exceeds the maximum column width.

Important Information and Disclaimer:The information provided on this page represents TI's knowledge and belief as of the date that it is provided. TI bases its knowledge and belief on information provided by third parties, and makes no representation or warranty as to the accuracy of such information. Efforts are underway to better integrate information from third parties. TI has taken and continues to take reasonable steps to provide representative and accurate information but may not have conducted destructive testing or chemical analysis on incoming materials and chemicals. TI and TI suppliers consider certain information to be proprietary, and thus CAS numbers and other limited information may not be available for release.

In no event shall TI's liability arising out of such information exceed the total purchase price of the TI part(s) at issue in this document sold by TI to Customer on an annual basis.

OTHER QUALIFIED VERSIONS OF LT1014D :

- Enhanced Product: [LT1014D-EP](#)

NOTE: Qualified Version Definitions:

- Enhanced Product - Supports Defense, Aerospace and Medical Applications

TAPE AND REEL INFORMATION

QUADRANT ASSIGNMENTS FOR PIN 1 ORIENTATION IN TAPE


*All dimensions are nominal

| Device | Package Type | Package Drawing | Pins | SPQ | Reel Diameter (mm) | Reel Width W1 (mm) | A0 (mm) | B0 (mm) | K0 (mm) | P1 (mm) | W (mm) | Pin1 Quadrant |
|-------------|--------------|-----------------|------|------|--------------------|--------------------|---------|---------|---------|---------|--------|---------------|
| LT1014DDWR | SOIC | DW | 16 | 2000 | 330.0 | 16.4 | 10.75 | 10.7 | 2.7 | 12.0 | 16.0 | Q1 |
| LT1014DIDWR | SOIC | DW | 16 | 2000 | 330.0 | 16.4 | 10.75 | 10.7 | 2.7 | 12.0 | 16.0 | Q1 |

TAPE AND REEL BOX DIMENSIONS


*All dimensions are nominal

| Device | Package Type | Package Drawing | Pins | SPQ | Length (mm) | Width (mm) | Height (mm) |
|-------------|--------------|-----------------|------|------|-------------|------------|-------------|
| LT1014DDWR | SOIC | DW | 16 | 2000 | 350.0 | 350.0 | 43.0 |
| LT1014DIDWR | SOIC | DW | 16 | 2000 | 350.0 | 350.0 | 43.0 |

FK (S-CQCC-N**)

LEADLESS CERAMIC CHIP CARRIER

28 TERMINAL SHOWN



| NO. OF TERMINALS ** | A | | B | |
|---------------------|------------------|------------------|------------------|------------------|
| | MIN | MAX | MIN | MAX |
| 20 | 0.342 (8,69) | 0.358 (9,09) | 0.307 (7,80) | 0.358 (9,09) |
| 28 | 0.442 (11,23) | 0.458 (11,63) | 0.406 (10,31) | 0.458 (11,63) |
| 44 | 0.640 (16,26) | 0.660 (16,76) | 0.495 (12,58) | 0.560 (14,22) |
| 52 | 0.740 (18,78) | 0.761 (19,32) | 0.495 (12,58) | 0.560 (14,22) |
| 68 | 0.938 (23,83) | 0.962 (24,43) | 0.850 (21,6) | 0.858 (21,8) |
| 84 | 1.141 (28,99) | 1.165 (29,59) | 1.047 (26,6) | 1.063 (27,0) |



4040140/D 01/11

- NOTES:
- All linear dimensions are in inches (millimeters).
 - This drawing is subject to change without notice.
 - This package can be hermetically sealed with a metal lid.
 - Falls within JEDEC MS-004

GENERIC PACKAGE VIEW

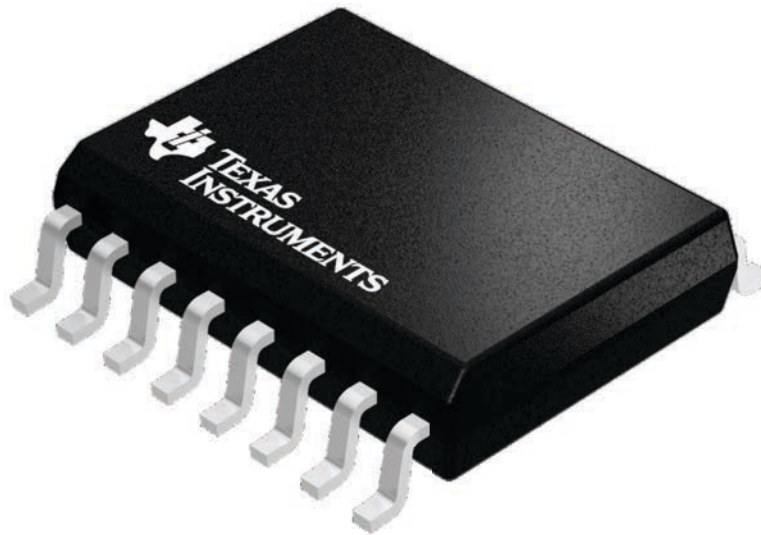
DW 16

SOIC - 2.65 mm max height

7.5 x 10.3, 1.27 mm pitch

SMALL OUTLINE INTEGRATED CIRCUIT

This image is a representation of the package family, actual package may vary.
Refer to the product data sheet for package details.



4224780/A

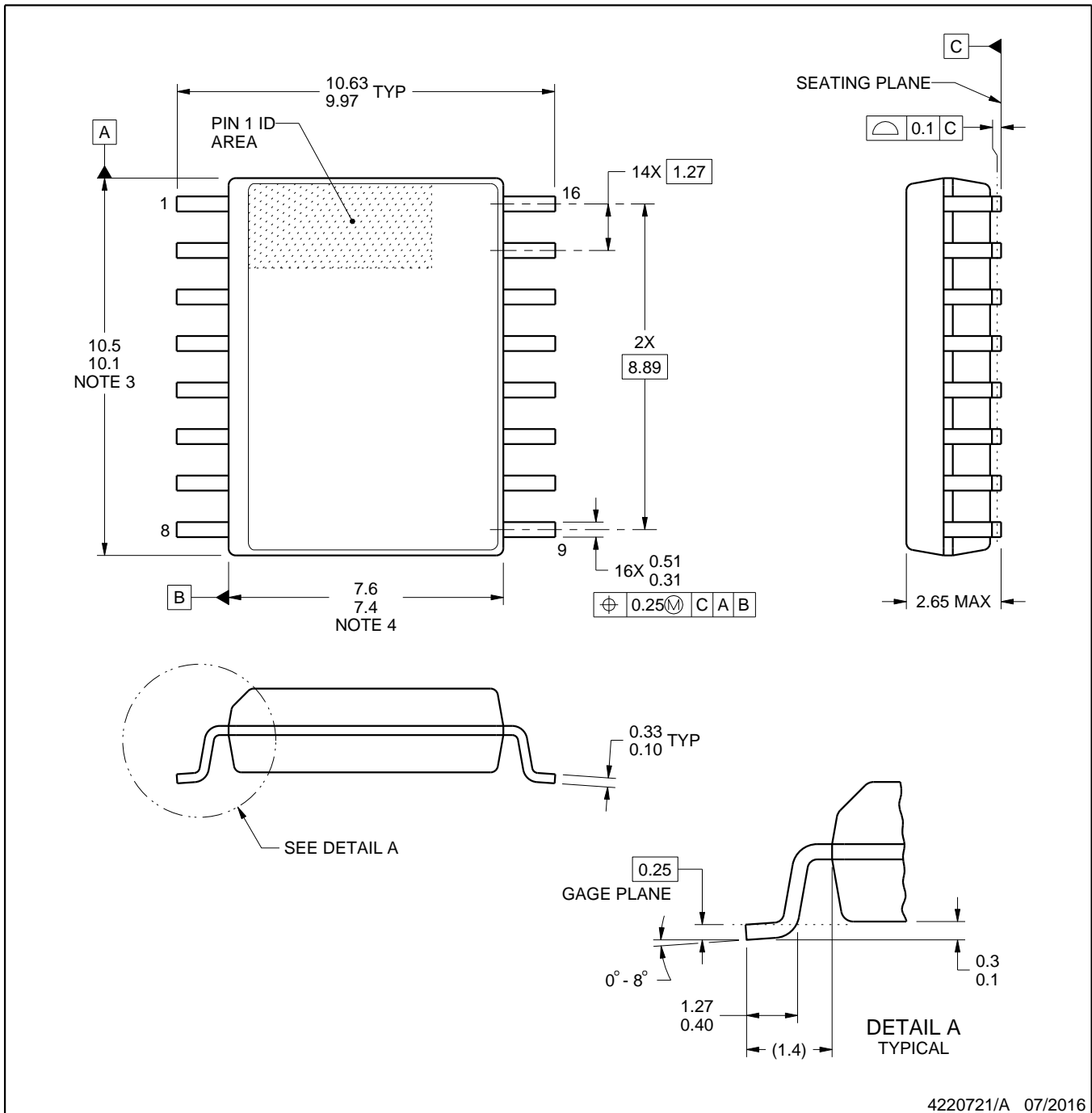


DW0016A

PACKAGE OUTLINE

SOIC - 2.65 mm max height

SOIC



4220721/A 07/2016

NOTES:

1. All linear dimensions are in millimeters. Dimensions in parenthesis are for reference only. Dimensioning and tolerancing per ASME Y14.5M.
2. This drawing is subject to change without notice.
3. This dimension does not include mold flash, protrusions, or gate burrs. Mold flash, protrusions, or gate burrs shall not exceed 0.15 mm, per side.
4. This dimension does not include interlead flash. Interlead flash shall not exceed 0.25 mm, per side.
5. Reference JEDEC registration MS-013.

EXAMPLE BOARD LAYOUT

DW0016A

SOIC - 2.65 mm max height

SOIC



LAND PATTERN EXAMPLE
SCALE:7X



SOLDER MASK DETAILS

4220721/A 07/2016

NOTES: (continued)

6. Publication IPC-7351 may have alternate designs.

7. Solder mask tolerances between and around signal pads can vary based on board fabrication site.

EXAMPLE STENCIL DESIGN

DW0016A

SOIC - 2.65 mm max height

SOIC



SOLDER PASTE EXAMPLE
BASED ON 0.125 mm THICK STENCIL
SCALE:7X

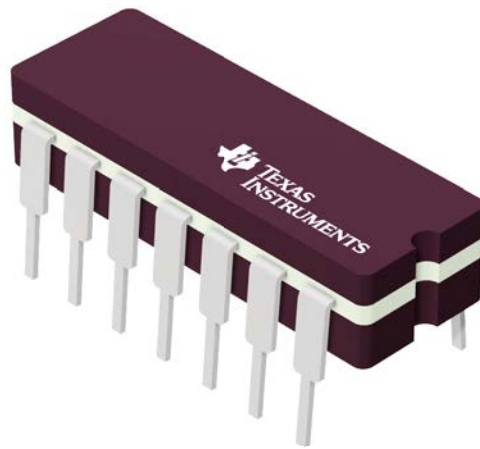
4220721/A 07/2016

NOTES: (continued)

8. Laser cutting apertures with trapezoidal walls and rounded corners may offer better paste release. IPC-7525 may have alternate design recommendations.
9. Board assembly site may have different recommendations for stencil design.

J 14

GENERIC PACKAGE VIEW
CDIP - 5.08 mm max height
CERAMIC DUAL IN LINE PACKAGE



Images above are just a representation of the package family, actual package may vary.
Refer to the product data sheet for package details.

4040083-5/G

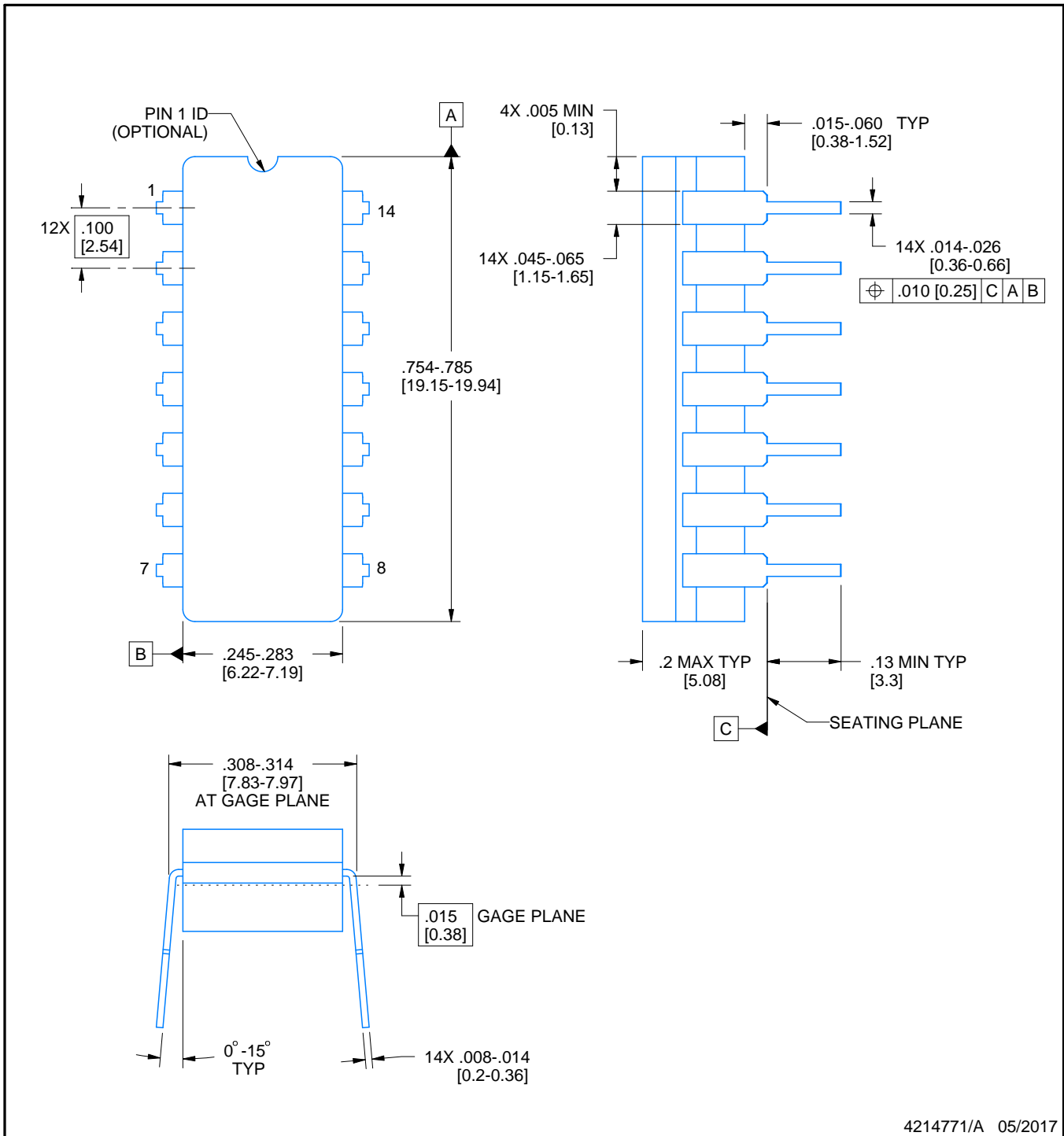
J0014A



PACKAGE OUTLINE

CDIP - 5.08 mm max height

CERAMIC DUAL IN LINE PACKAGE



NOTES:

1. All controlling linear dimensions are in inches. Dimensions in brackets are in millimeters. Any dimension in brackets or parenthesis are for reference only. Dimensioning and tolerancing per ASME Y14.5M.
2. This drawing is subject to change without notice.
3. This package is hermetically sealed with a ceramic lid using glass frit.
4. Index point is provided on cap for terminal identification only and on press ceramic glass frit seal only.
5. Falls within MIL-STD-1835 and GDIP1-T14.

EXAMPLE BOARD LAYOUT

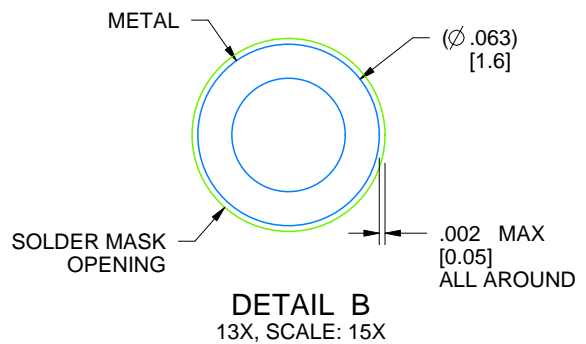
J0014A

CDIP - 5.08 mm max height

CERAMIC DUAL IN LINE PACKAGE



LAND PATTERN EXAMPLE
NON-SOLDER MASK DEFINED
SCALE: 5X



4214771/A 05/2017

N (R-PDIP-T**)

PLASTIC DUAL-IN-LINE PACKAGE

16 PINS SHOWN



- NOTES:
- A. All linear dimensions are in inches (millimeters).
 - B. This drawing is subject to change without notice.
 - Falls within JEDEC MS-001, except 18 and 20 pin minimum body length (Dim A).
 - The 20 pin end lead shoulder width is a vendor option, either half or full width.

IMPORTANT NOTICE AND DISCLAIMER

TI PROVIDES TECHNICAL AND RELIABILITY DATA (INCLUDING DATASHEETS), DESIGN RESOURCES (INCLUDING REFERENCE DESIGNS), APPLICATION OR OTHER DESIGN ADVICE, WEB TOOLS, SAFETY INFORMATION, AND OTHER RESOURCES "AS IS" AND WITH ALL FAULTS, AND DISCLAIMS ALL WARRANTIES, EXPRESS AND IMPLIED, INCLUDING WITHOUT LIMITATION ANY IMPLIED WARRANTIES OF MERCHANTABILITY, FITNESS FOR A PARTICULAR PURPOSE OR NON-INFRINGEMENT OF THIRD PARTY INTELLECTUAL PROPERTY RIGHTS.

These resources are intended for skilled developers designing with TI products. You are solely responsible for (1) selecting the appropriate TI products for your application, (2) designing, validating and testing your application, and (3) ensuring your application meets applicable standards, and any other safety, security, or other requirements. These resources are subject to change without notice. TI grants you permission to use these resources only for development of an application that uses the TI products described in the resource. Other reproduction and display of these resources is prohibited. No license is granted to any other TI intellectual property right or to any third party intellectual property right. TI disclaims responsibility for, and you will fully indemnify TI and its representatives against, any claims, damages, costs, losses, and liabilities arising out of your use of these resources.

TI's products are provided subject to TI's Terms of Sale (www.ti.com/legal/termsofsale.html) or other applicable terms available either on ti.com or provided in conjunction with such TI products. TI's provision of these resources does not expand or otherwise alter TI's applicable warranties or warranty disclaimers for TI products.

Mailing Address: Texas Instruments, Post Office Box 655303, Dallas, Texas 75265
Copyright © 2019, Texas Instruments Incorporated

Looking for pricing, stock, or lifecycle information?

Click below to explore more details on WIN SOURCE:

 [View LT1014DIDWR on WIN SOURCE](#)

 [Texas Instruments](#) Information

Optimize Your Supply Chain with WIN SOURCE Solutions

-  Global Sourcing Solution
-  Obsolete Management
-  Cost Control Management
-  Shortage Management
-  Alternative Solution
-  Excess Inventory Management