



**THE DATASHEET OF
P-303H-CCTL**



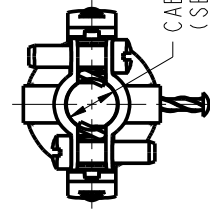
8

7

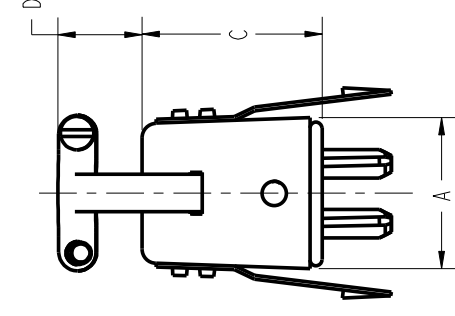
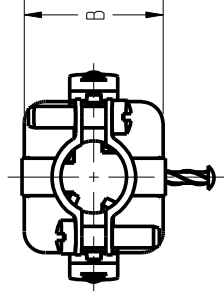
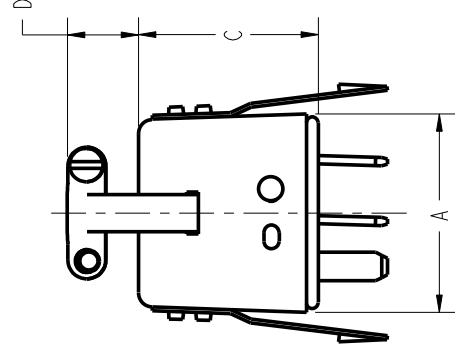
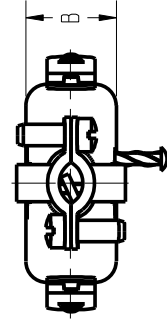
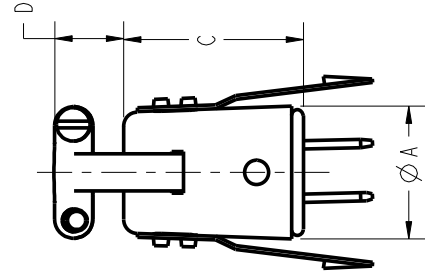
6

5

4



CABLE OPENING
(SEE CHART)



TYPE 1

TYPE 2

TYPE 3

| PART NUMBER | TYPE | A REF | B REF | C REF | D REF |
|--------------|------|-------------------|-----------------|------------------|-----------------|
| P-302H-CCT-L | 1 | ∅ .691 [17.55] | - | .953 [24.21] | .359 [9.12] |
| P-303H-CCT-L | 2 | 1.034 [26.26] | .472 [11.99] | .953 [24.21] | .359 [9.12] |
| P-304H-CCT-L | 3 | .786 [19.96] | .724 [18.39] | .953 [24.21] | .468 [11.89] |
| P-306H-CCT-L | 4 | 1.036 [26.31] | .724 [18.39] | 1.078 [27.38] | .484 [12.29] |

NOTES:

1. SPECIFICATIONS:

ELECTRICAL:
 OPERATING VOLTAGE: 250 VAC RMS
 CURRENT RATING: 10 AMPS
 CONTACT RESISTANCE: 16 MILLIOHMS MAX

INSULATOR, CAP, RIVET: GENERAL PURPOSE PHENOLIC, BLACK

CONTACT: BRASS, MATTE TIN

BRACKET, SCREW, LOCK, DRIVE PIN: STEEL, ZINC WITH CLEAR TRIVALENT CHROMATE

ENVIRONMENTAL:
OPERATING TEMPERATURE: UP TO +105°C

TERMINATION: SOLDER

2. DIMENSIONS IN [] ARE IN MILLIMETERS

3. ALL DIMENSIONS ARE REFERENCE

UNITS

ENGLISH INCHES

DO NOT SCALE DRAWING

UNLESS OTHERWISE SPECIFIED:
DIMENSIONS ARE IN INCHES

FILLET/RADIUS: .02 MAX

TOLEANCES:
X ± .1
Y ± .01
Z ± .005
ANGULAR ± .5°

THIS DOCUMENT IS THE PROPERTY
OF CINCINNATI. NEITHER THIS DOCUMENT
NOR ANY OF THE INFORMATION
CONTAINED IN IT MAY BE DUPLICATED
OR DISCLOSED WITHOUT PRIOR
WRITTEN CONSENT OF CINCINNATI.

DESIGN

DESIGN

MFG. E

QUALITY

4

5

6

7

8

R

A

B

C

D

Looking for pricing, stock, or lifecycle information?

Click below to explore more details on WIN SOURCE:

- [View P-303H-CCTL on WIN SOURCE](#)
- [Cinch Connectivity Solutions Information](#)

Optimize Your Supply Chain with WIN SOURCE Solutions

- ✓ Global Sourcing Solution
- ✓ Obsolete Management
- ✓ Cost Control Management
- ✓ Shortage Management
- ✓ Alternative Solution
- ✓ Excess Inventory Management