



# THE DATASHEET OF TS431CS RLG



## 2.495V Programmable Shunt Voltage Reference

### GENERAL DESCRIPTION

TS431 series integrated circuits are three-terminal programmable shunt regulator diodes. These monolithic IC voltage references operate as a low temperature coefficient zener which is programmable from  $V_{REF}$  to 36 volts with two external resistors. These devices exhibit a wide operating current range of 0.3 to 100mA with a typical dynamic impedance of  $0.22\Omega$ .

The characteristics of these references make them excellent replacements for zener diodes in many applications such as digital voltmeters, power supplies, and op amp circuitry. The 2.495V reference makes it convenient to obtain a stable reference from 5.0V logic supplies, and since The TS431 series operates as a shunt regulator, it can be used as either a positive or negative stage reference.

### FEATURES

- Precision Reference Voltage  
TS431A –  $2.495V \pm 1\%$   
TS431B –  $2.495V \pm 0.5\%$
- Equivalent Full Range Temp. Coefficient:  $50\text{ppm}/^\circ\text{C}$
- Programmable Output Voltage up to 36V
- Fast Turn-On Response
- Sink Current Capability of 1~100mA
- Low Dynamic Output Impedance:  $0.2\Omega$
- Low Output Noise
- RoHS Compliant
- Halogen-free according to IEC 61249-2-21

### APPLICATION

- SMPS
- Lighting
- Telecommunication
- Home appliance



#### SOT-23



#### Pin Definition:

1. Reference
2. Cathode
3. Anode

#### SOP-8

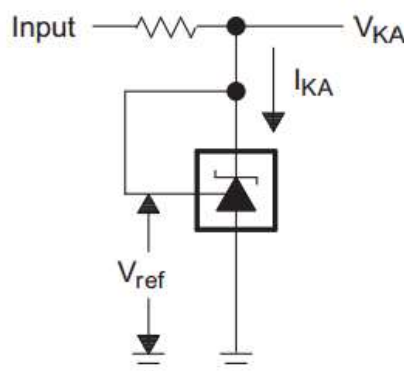


#### Pin Definition

- |            |              |
|------------|--------------|
| 1. Cathode | 5. N/C       |
| 2. Anode   | 6. Anode     |
| 3. Anode   | 7. Anode     |
| 4. N/C     | 8. Reference |

Notes: MSL 3 (Moisture Sensitivity Level) per J-STD-020

### TYPICAL APPLICATIN CIRCUIT



<b>ABSOLUTE MAXIMUM RATINGS</b>			
<b>PARAMETER</b>	<b>SYMBOL</b>	<b>LIMIT</b>	<b>UNIT</b>
Cathode Voltage (Note)	$V_{KA}$	37	V
Continuous Cathode Current Range	$I_K$	-100 ~ +150	mA
Reference Input Current Range	$I_{REF}$	-0.05 ~ +10	mA
Power Dissipation	SOT-23	0.30	W
	SOP-8	0.50	
Junction Temperature	$T_J$	+150	°C
Operating Temperature Range	$T_{OPER}$	-40 ~ +85	°C
Storage Temperature Range	$T_{STG}$	-65 ~ +150	°C

<b>RECOMMEND OPERATING CONDITION</b>			
<b>PARAMETER</b>	<b>SYMBOL</b>	<b>LIMIT</b>	<b>UNIT</b>
Cathode Voltage	$V_{KA}$	$V_{REF} \sim 36$	V
Continuous Cathode Current Range	$I_K$	1 ~ 100	mA

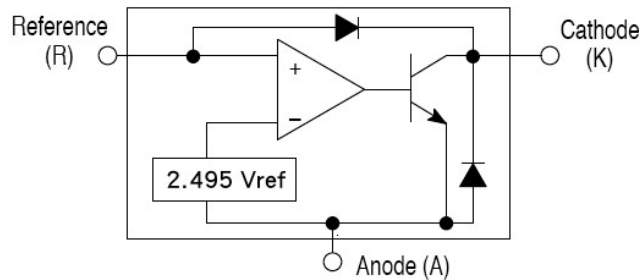
<b>ELECTRICAL CHARACTERISTICS</b>						
<b>PARAMETER</b>	<b>CONDITIONS</b>	<b>SYMBOL</b>	<b>MIN</b>	<b>TYP</b>	<b>MAX</b>	<b>UNIT</b>
Reference voltage	TS431A	$V_{REF}$	2.470	2.495	2.520	V
	TS431B		2.483		2.507	
Deviation of reference input voltage	$V_{KA} = V_{REF}$ , $I_K = 10\text{mA}$ $T_A = \text{full range}$	$\Delta V_{REF}$	--	8	17	mV
Radio of change in Vref to change in cathode Voltage	$I_{KA} = 10\text{mA}$ , $\Delta V_{KA} = 10\text{V to } V_{REF}$ $\Delta V_{KA} = 36\text{V to } 10\text{V}$	$\frac{\Delta V_{REF}}{\Delta V_{KA}}$	--	-1.4	-2.7	mV/V
			--	-1	-2	
Reference Input current	$R1=10\text{k}\Omega$ , $R2=\infty$ ,	$I_{REF}$	--	0.7	4	$\mu\text{A}$
Deviation of reference input current, over temp.	$R1=10\text{k}\Omega$ , $R2=\infty$ , $I_{KA} = 10\text{mA}$ $T_A = \text{full range}$	$\Delta I_{REF}$	--	0.4	1.2	$\mu\text{A}$
Off-state Cathode Current	$V_{REF} = 0\text{V}$	$I_{KA} (\text{off})$	--	--	1	$\mu\text{A}$
Minimum operating cathode current	$V_{KA} = V_{REF}$	$I_{KA(\text{min})}$	--	0.4	0.6	mA
Dynamic Output Impedance	$f < 1\text{kHz}$ , $V_{KA} = V_{REF}$ $I_{KA} = 1\text{mA to } 100\text{mA}$	$ Z_{KA} $	--	0.22	0.5	$\Omega$

**Note:** Voltage values are with respect to the anode terminal unless otherwise noted.

**ORDERING INFORMATION**

PART NO.	PACKAGE	PACKING
TS431ACX RFG	SOT-23	3,000pcs / 7" Reel
TS431BCX RFG	SOT-23	3,000pcs / 7" Reel
TS431ACS RLG	SOP-8	2,500pcs / 13" Reel
TS431BCS RLG	SOP-8	2,500pcs / 13" Reel

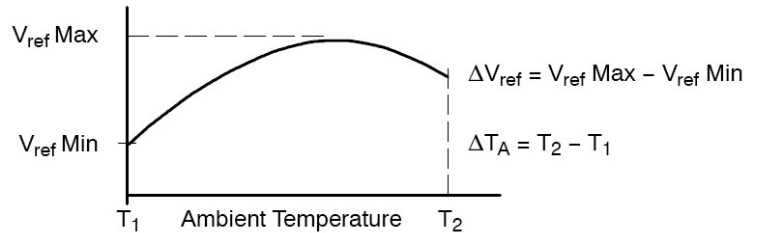
**BLOCK DIAGRAM**



\* The deviation parameters  $\Delta V_{REF}$  and  $\Delta I_{REF}$  are defined as difference between the maximum value and minimum value obtained over the full operating ambient temperature range that applied.

\* The average temperature coefficient of the reference input voltage,  $\alpha V_{REF}$  is defined as:

$$\alpha V_{ref} \left( \frac{\text{ppm}}{^{\circ}\text{C}} \right) = \frac{\left( \frac{\Delta V_{ref}}{V_{ref} (T_A = 25^{\circ}\text{C})} \times 10^6 \right)}{\Delta T_A}$$



Where:  $T_2 - T_1$  = full temperature change.

$\alpha V_{REF}$  can be positive or negative depending on whether the slope is positive or negative.

Example: Maximum  $V_{REF} = 2.496\text{V}$  at  $30^{\circ}\text{C}$ , minimum  $V_{REF} = 2.492\text{V}$  at  $0^{\circ}\text{C}$ ,  $V_{REF} = 2.495\text{V}$  at  $25^{\circ}\text{C}$ ,  $\Delta T = 70^{\circ}\text{C}$

$$\alpha V_{REF} = [4\text{mV} / 2495\text{mV}] * 10^6 / 70^{\circ}\text{C} \approx 23\text{ppm}/^{\circ}\text{C}$$

Because minimum  $V_{REF}$  occurs at the lower temperature, the coefficient is positive.

\* The dynamic impedance  $Z_{KA}$  is defined as:

$$|Z_{KA}| = \Delta V_{KA} / \Delta I_{KA}$$

\* When the device operating with two external resistors,  $R_1$  and  $R_2$ , (refer to Figure 2) the total dynamic impedance of the circuit is given by:

$$|Z_{KA}| = \Delta v / \Delta i \approx Z_{KA} * (1 + R_1 / R_2)$$

**ADDITIONAL INFORMATION – STABILITY**

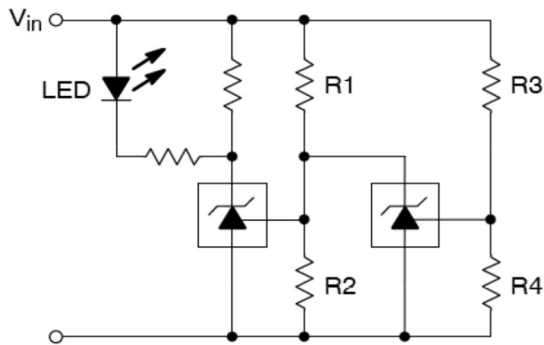
When TS431A/431B is used as a shunt regulator, there are two options for selection of  $C_L$ , are recommended for optional stability:

- A) No load capacitance across the device, decouple at the load.
- B) Large capacitance across the device, optional decoupling at the load.

The reason for this is that TS431A/431B exhibits instability with capacitances in the range of 10nF to 1µF (approx.) at light cathode current up to 3mA (typ). The device is less stable the lower the cathode voltage has been set for. Therefore while the device will be perfectly stable operating at a cathode current of 10mA (approx.) with a 0.1µF capacitor across it, it will oscillate transiently during start up as the cathode current passes through the instability region. Select a very low capacitance, or alternatively a high capacitance (10µF) will avoid this issue altogether. Since the user will probably wish to have local decoupling at the load anyway, the most cost-effective method is to use no capacitance at all directly across the device. PCB trace/via resistance and inductance prevent the local load decoupling from causing the oscillation during the transient startup phase.

Note: if the TS431A/431B is located right at the load, so the load decoupling capacitor is directly across it, then this capacitor will have to be  $\leq 1\text{nF}$  or  $\geq 10\mu\text{F}$ .

**APPLICATIONS EXAMPLES**

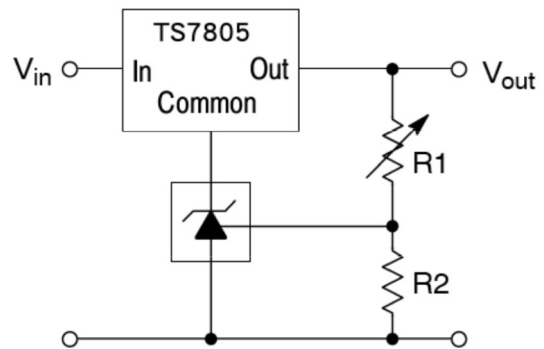


L.E.D. indicator is 'ON' when  $V_{in}$  is between the upper and lower limits,

$$\text{Lower limit} = \left(1 + \frac{R1}{R2}\right) V_{ref}$$

$$\text{Upper limit} = \left(1 + \frac{R3}{R4}\right) V_{ref}$$

**Figure 1. Voltage Monitor**

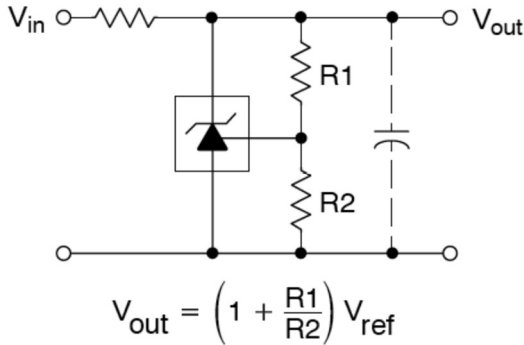


$$V_{out} = \left(1 + \frac{R1}{R2}\right) V_{ref}$$

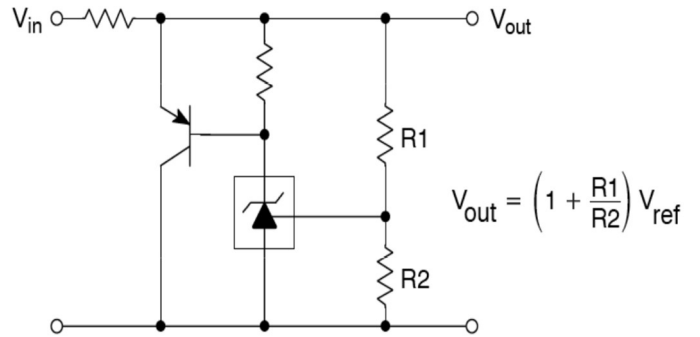
$$V_{out(min)} = V_{ref} + 5.0\text{ V}$$

**Figure 2. Output Control for Three Terminal Fixed Regulator**

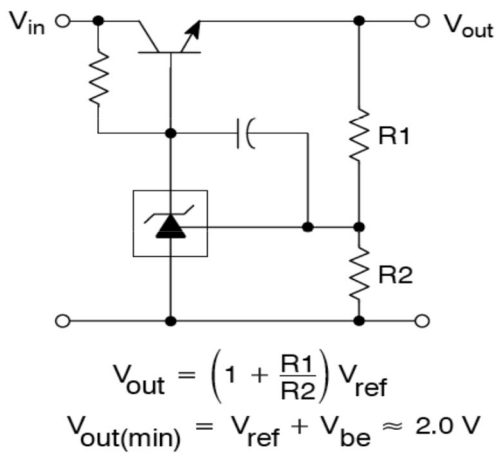
**APPLICATIONS EXAMPLES (CONTINUE)**



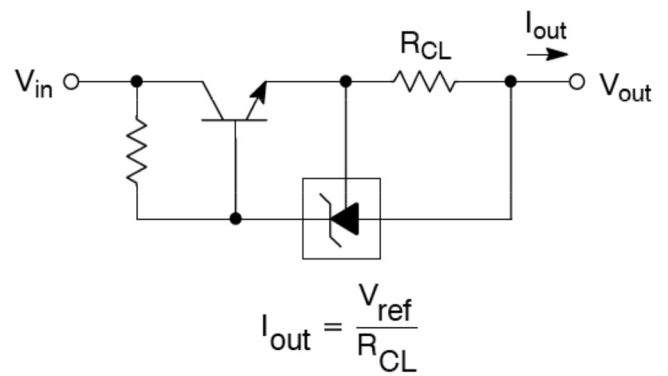
**Figure 3. Shunt Regulator**



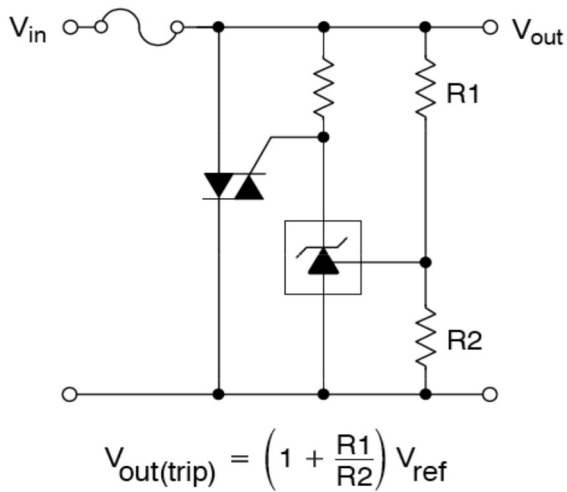
**Figure 4. High Current Shunt Regulator**



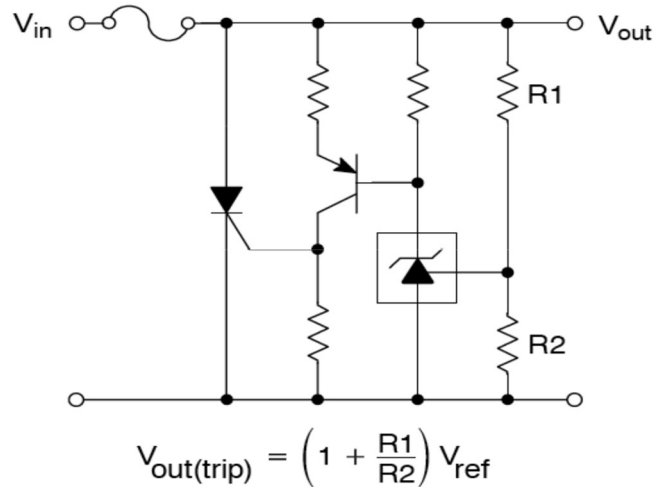
**Figure 5. Series Pass Regulator**



**Figure 6. Constant Current Source**

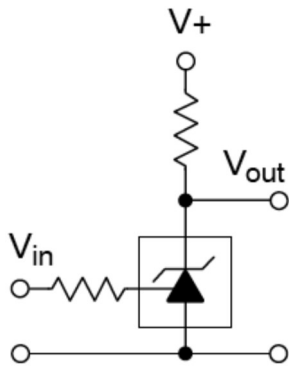


**Figure 7. TRIAC Crowbar**



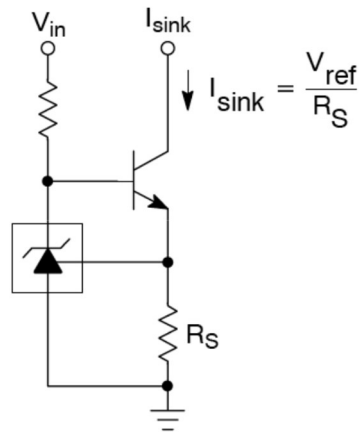
**Figure 8. SCR Crowbar**

**APPLICATIONS EXAMPLES (CONTINUE)**

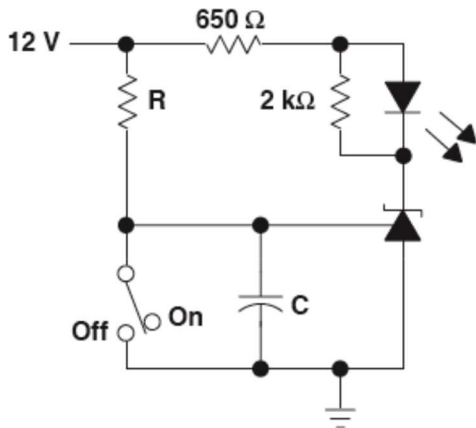


V <sub>in</sub>	V <sub>out</sub>
<V <sub>ref</sub>	V <sub>+</sub>
>V <sub>ref</sub>	≈0.74V

**Figure 9. Single-Supply Comparator with Temperature-Compensated Threshold**



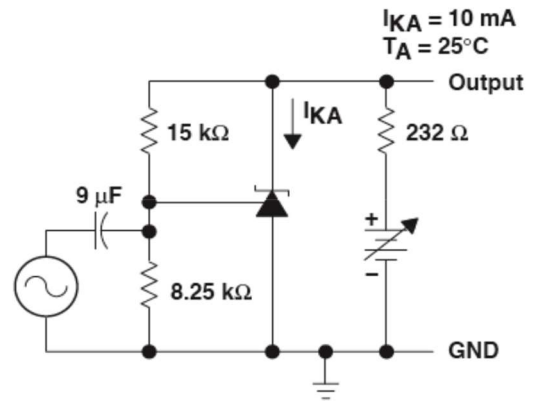
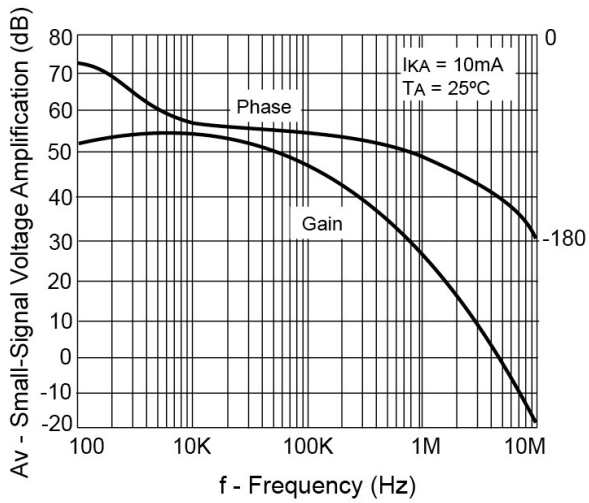
**Figure 10. Constant Current Sink**



$$\text{Delay} = R \times C \times I_n \left( \frac{12 \text{ V}}{12 \text{ V} - V_{\text{ref}}} \right)$$

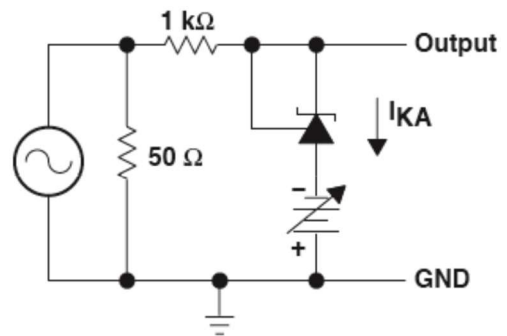
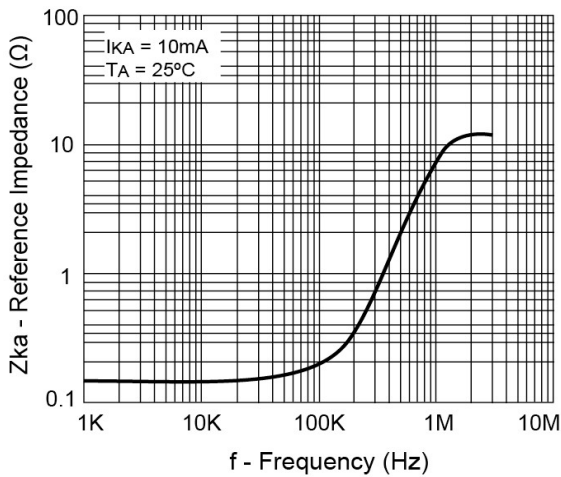
**Figure 11. Delay Timer**

**TYPICAL PERFORMANCE CHARACTERISTICS**



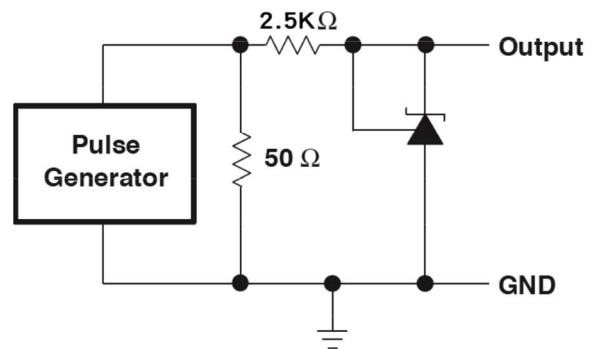
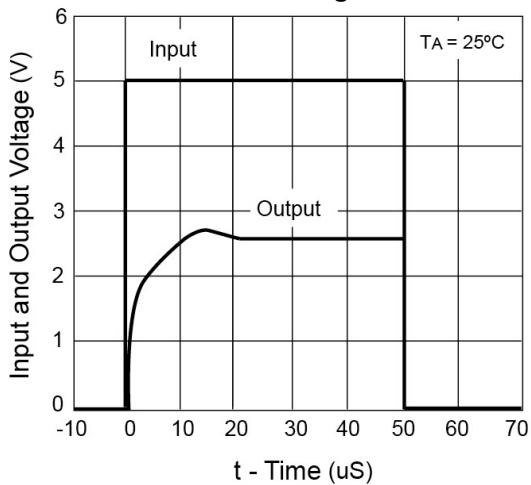
**Test Circuit for Voltage Amplification**

**Figure 12. Small-Signal Voltage Gain and Phase Shift vs. Frequency**



**Test Circuit for Reference Impedance**

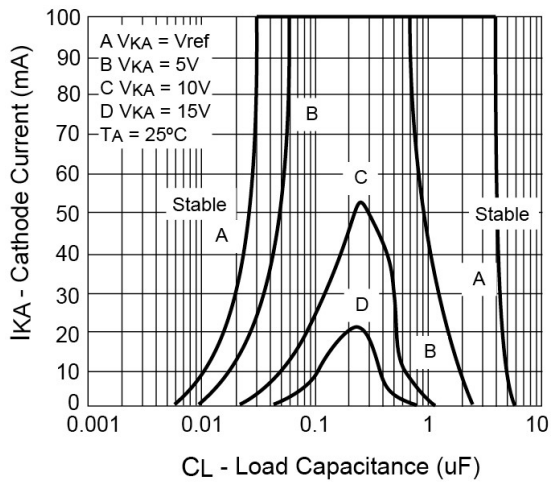
**Figure 13. Reference Impedance vs. Frequency**



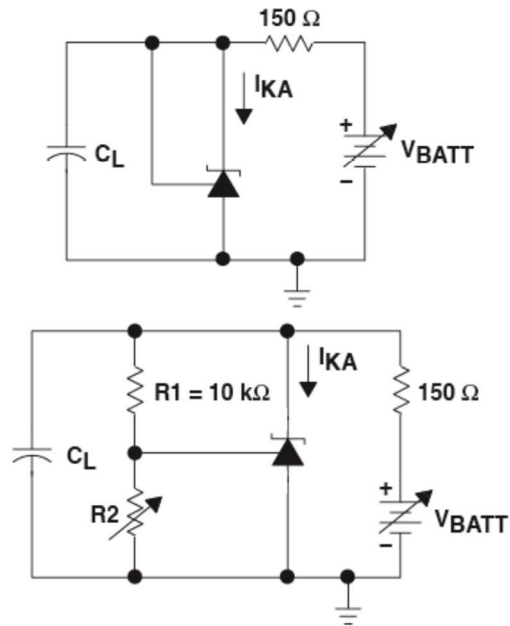
**Test Circuit for Pulse Response,  $I_k=1\text{mA}$**

**Figure 14. Pulse Response**

**TYPICAL PERFORMANCE CHARACTERISTICS (CONTINUE)**



The areas under the curves represent conditions that may cause the device to oscillate. For curves B, C, and D,  $R_2$  and  $V_+$  were adjusted to establish the initial  $V_{KA}$  and  $I_{KA}$  conditions with  $C_L=0$ .  $V_{BATT}$  and  $C_L$  then were adjusted to determine the ranges of stability.

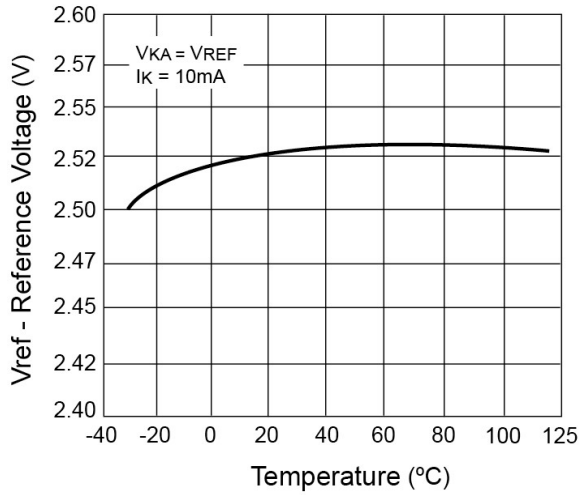


**Test Circuit for Curve B, C and D**

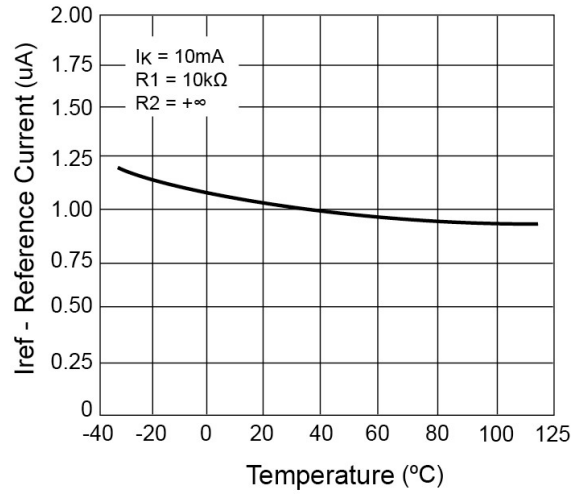
**Figure 15. Reference Impedance vs. Frequency**

**CHARACTERISTICS CURVES**

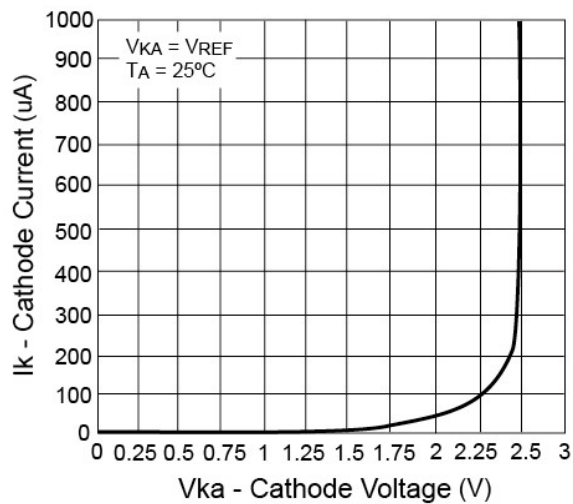
( $T_c = 25^\circ\text{C}$  unless otherwise noted)



**Figure 16. Reference Voltage vs. Temperature**



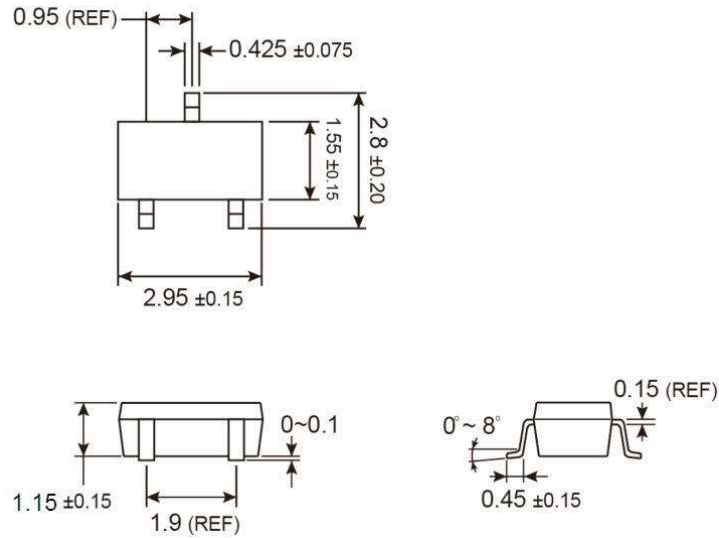
**Figure 17. Reference Current vs. Temperature**



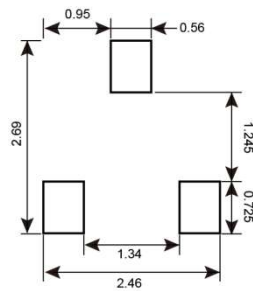
**Figure 18. Cathode Current vs. Cathode Voltage**

**PACKAGE OUTLINE DIMENSIONS** (Unit: Millimeters)

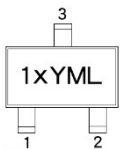
**SOT-23**



**SUGGESTED PAD LAYOUT** (Unit: Millimeters)



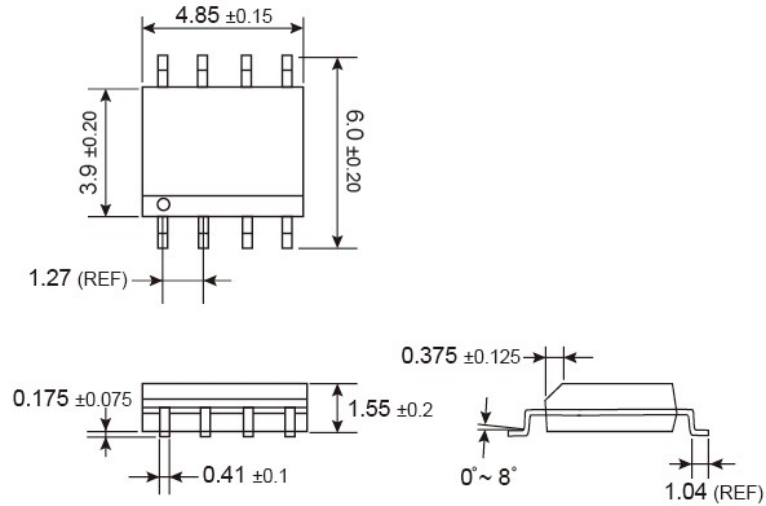
**MARKING DIAGRAM**



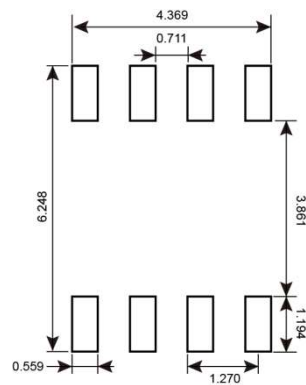
- 1** = Device Code
- X** = Tolerance Code  
(**A** =  $\pm 1\%$ , **B** =  $\pm 0.5\%$ )
- Y** = Year Code
- M** = Month Code for Halogen Free Product
  - O** =Jan    **P** =Feb    **Q** =Mar    **R** =Apr
  - S** =May    **T** =Jun    **U** =Jul    **V** =Aug
  - W** =Sep    **X** =Oct    **Y** =Nov    **Z** =Dec
- L** = Lot Code

**PACKAGE OUTLINE DIMENSIONS** (Unit: Millimeters)

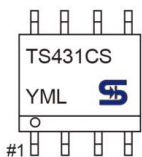
**SOP-8**



**SUGGESTED PAD LAYOUT** (Unit: Millimeters)



**MARKING DIAGRAM**



- Y** = Year Code
- M** = Month Code for Halogen Free Product
  - O** =Jan
  - P** =Feb
  - Q** =Mar
  - R** =Apr
  - S** =May
  - T** =Jun
  - U** =Jul
  - V** =Aug
  - W** =Sep
  - X** =Oct
  - Y** =Nov
  - Z** =Dec
- L** = Lot Code

## Notice

Specifications of the products displayed herein are subject to change without notice. TSC or anyone on its behalf, assumes no responsibility or liability for any errors or inaccuracies.

Purchasers are solely responsible for the choice, selection, and use of TSC products and TSC assumes no liability for application assistance or the design of Purchasers' products.

Information contained herein is intended to provide a product description only. No license, express or implied, to any intellectual property rights is granted by this document. Except as provided in TSC's terms and conditions of sale for such products, TSC assumes no liability whatsoever, and disclaims any express or implied warranty, relating to sale and/or use of TSC products including liability or warranties relating to fitness for a particular purpose, merchantability, or infringement of any patent, copyright, or other intellectual property right.

The products shown herein are not designed for use in medical, life-saving, or life-sustaining applications. Customers using or selling these products for use in such applications do so at their own risk and agree to fully indemnify TSC for any damages resulting from such improper use or sale.

## Looking for pricing, stock, or lifecycle information?

Click below to explore more details on WIN SOURCE:

-  [View TS431CS RLG on WIN SOURCE](#)
-  [Taiwan Semiconductor](#) Information

## Optimize Your Supply Chain with WIN SOURCE Solutions

-  Global Sourcing Solution
-  Obsolete Management
-  Cost Control Management
-  Shortage Management
-  Alternative Solution
-  Excess Inventory Management