



**THE DATASHEET OF
ZXMN6A11GTC**



ZXMN6A11G

60V N-CHANNEL ENHANCEMENT MODE MOSFET

Product Summary

$V_{(BR)DSS}$	$R_{DS(on)}$	I_D $T_A = +25^\circ C$
60V	120mΩ @ $V_{GS} = 10V$	4.4A
	180mΩ @ $V_{GS} = 4.5V$	3.5A

Features and Benefits

- Fast Switching Speed
- Low Gate Drive
- Low Input Capacitance
- **Lead-Free Finish; RoHS Compliant (Notes 1 & 2)**
- **Halogen and Antimony Free. "Green" Device (Note 3)**
- **Qualified to AEC-Q101 Standards for High Reliability**

Description and Applications

This MOSFET is designed to minimize the on-state resistance and yet maintain superior switching performance, making it ideal for high efficiency power management applications.

- DC-DC Converters
- Power Management Functions
- Disconnect Switches
- Motor Control
- Uninterrupted Power Supply

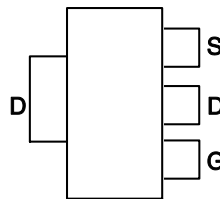
Mechanical Data

- Case: SOT223
- Case Material: Molded Plastic, "Green" Molding Compound; UL Flammability Classification Rating 94V-0
- Moisture Sensitivity: Level 1 per J-STD-020
- Terminals Connections: See Diagram Below
- Terminals: Finish - Matte Tin Annealed over Copper Leadframe; Solderable per MIL-STD-202, Method 208
- Weight: 0.112 grams (Approximate)

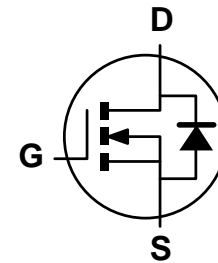
SOT223



Top View



Pin Out - Top



Equivalent Circuit

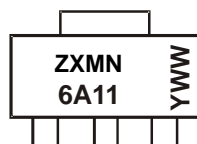
Ordering Information (Note 4)

Product	Marking	Reel size (inches)	Tape width (mm)	Quantity per reel
ZXMN6A11GTA	See below	7	12	1,000

- Notes:
1. EU Directive 2002/95/EC (RoHS) & 2011/65/EU (RoHS 2) compliant. All applicable RoHS exemptions applied.
 2. See http://www.diodes.com/quality/lead_free.html for more information about Diodes Incorporated's definitions of Halogen- and Antimony-free, "Green" and Lead-free.
 3. Halogen- and Antimony-free "Green" products are defined as those which contain <900ppm bromine, <900ppm chlorine (<1500ppm total Br + Cl) and <1000ppm antimony compounds.
 4. For packaging details, go to our website at <http://www.diodes.com/products/packages.html>.

Marking Information

SOT223



ZXMN6A11 = Product Type Marking Code
 YWW = Date Code Marking
 Y or \bar{Y} = Last Digit of Year (ex: 5= 2015)
 WW or $\bar{W}W$ = Week Code (01~53)

Maximum Ratings (@ $T_A = +25^\circ\text{C}$ unless otherwise specified.)

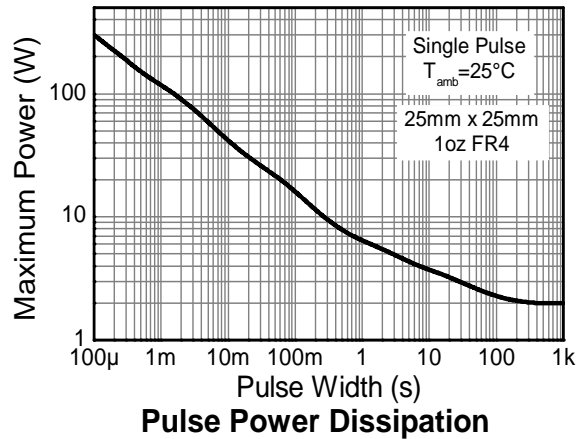
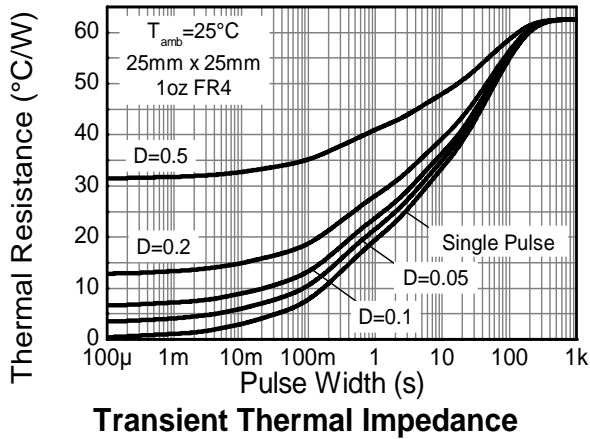
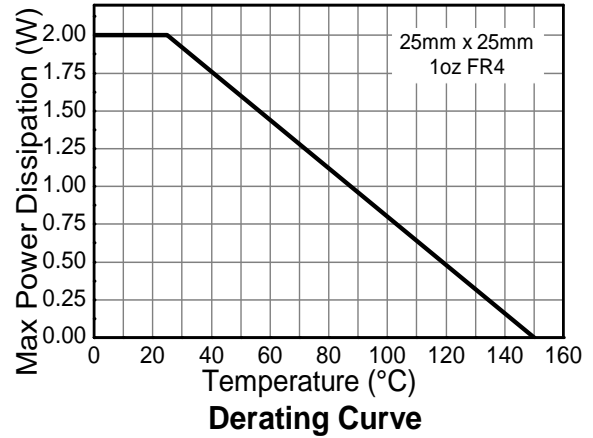
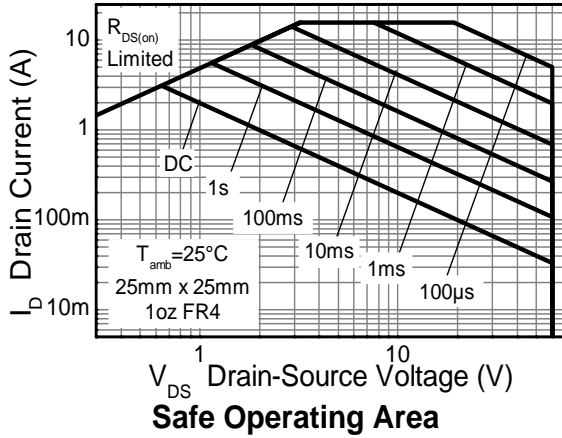
Characteristic			Symbol	Value	Units	
Drain-Source Voltage			V_{DSS}	60	V	
Gate-Source Voltage			V_{GS}	± 20		
Continuous Drain Current	$V_{GS} = 10\text{V}$	(Note 6)	I_D	4.4	A	
		$T_A = +70^\circ\text{C}$ (Note 6) (Note 5)		3.5 3.1		
Pulsed Drain Current	$V_{GS} = 10\text{V}$	(Note 7)	I_{DM}	15.6		
Continuous Source Current (Body Diode)			(Note 6)	I_S		5
Pulsed Source Current (Body Diode)			(Note 7)	I_{SM}		15.6

Thermal Characteristics (@ $T_A = +25^\circ\text{C}$ unless otherwise specified.)

Characteristic		Symbol	Value	Unit
Power Dissipation	(Note 5)	P_D	2.0	W
	(Note 6)		16	
Linear Derating Factor	(Note 6)		3.9	mW/ $^\circ\text{C}$
	(Note 5)		31	
Thermal Resistance, Junction to Ambient	(Note 5)	$R_{\theta JA}$	62.5	$^\circ\text{C/W}$
	(Note 6)		32.0	
Thermal Resistance, Junction to Lead	(Note 8)	$R_{\theta JL}$	9.8	
Operating and Storage Temperature Range		T_J, T_{STG}	-55 to +150	$^\circ\text{C}$

- Notes:
5. For a device surface mounted on 25mm x 25mm x 1.6mm FR4 PCB with high coverage of single sided 1oz copper, in still air conditions; the device is measured when operating in a steady-state condition.
 6. Same as Note 5, except the device is measured at $t \leq 10$ seconds.
 7. Same as Note 5, except the device is pulsed with $D = 0.02$ and pulse width 300 μs .
 8. Thermal resistance from junction to solder-point (at the end of the drain lead).

Thermal Characteristics

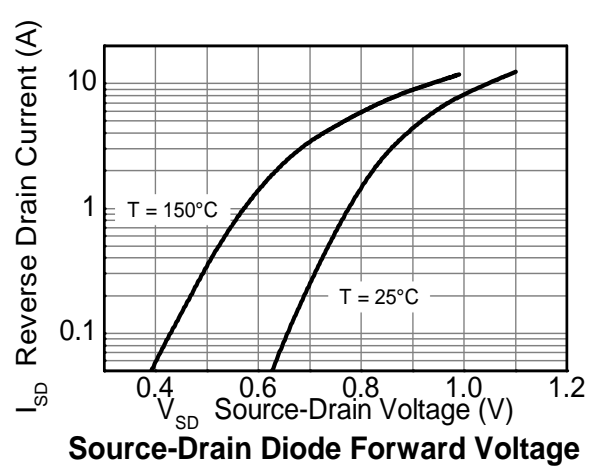
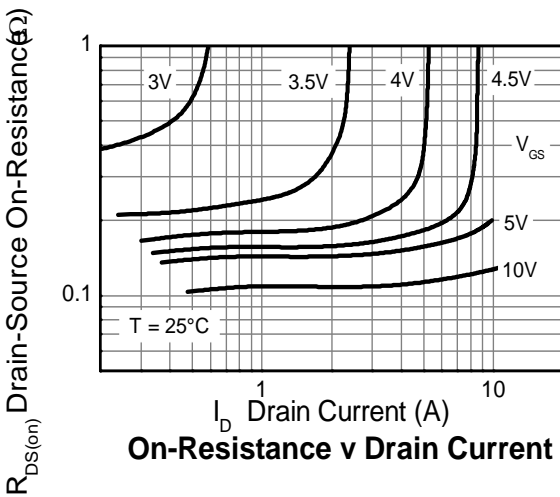
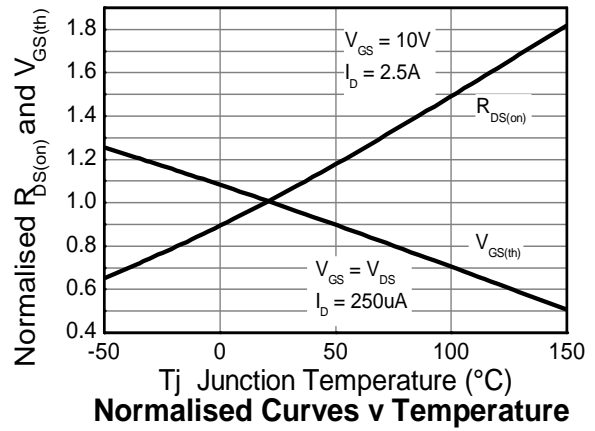
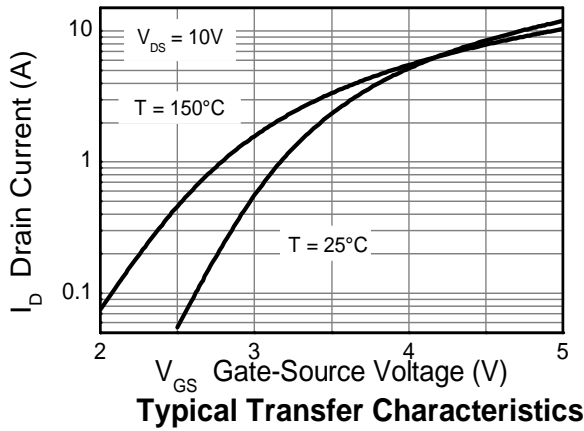
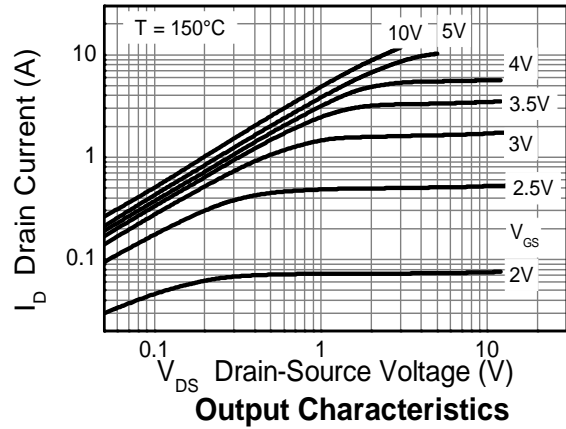
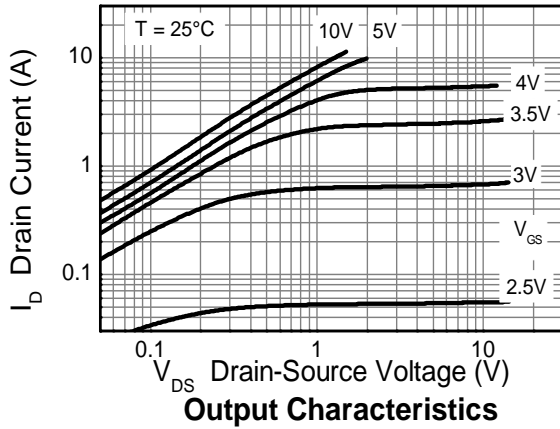


Electrical Characteristics (@T_A = +25°C unless otherwise specified.)

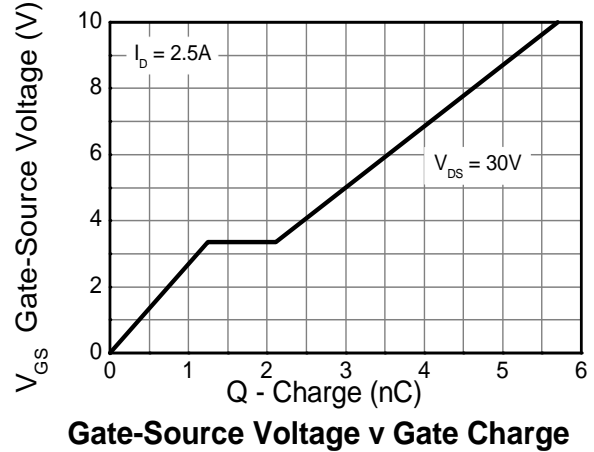
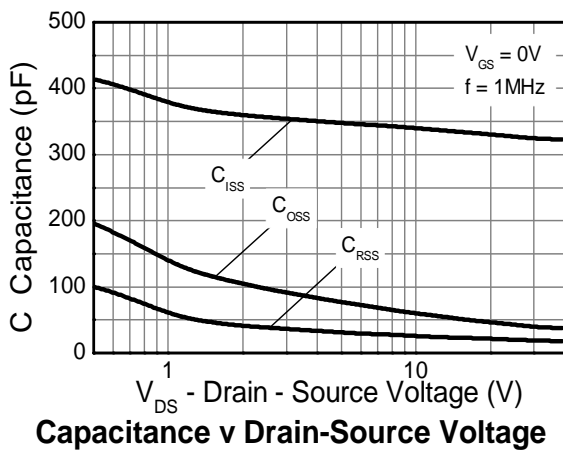
Characteristic	Symbol	Min	Typ	Max	Unit	Test Condition	
OFF CHARACTERISTICS							
Drain-Source Breakdown Voltage	BV _{DSS}	60	—	—	V	I _D = 250μA, V _{GS} = 0V	
Zero Gate Voltage Drain Current	I _{DSS}	—	—	1.0	μA	V _{DS} = 60V, V _{GS} = 0V	
Gate-Source Leakage	I _{GSS}	—	—	±100	nA	V _{GS} = ±20V, V _{DS} = 0V	
ON CHARACTERISTICS							
Gate Threshold Voltage	V _{GS(th)}	1.0	—	3.0	V	I _D = 250μA, V _{DS} = V _{GS}	
Static Drain-Source On-Resistance (Note 6)	R _{DS(on)}	—	0.105	0.120	Ω	V _{GS} = 10V, I _D = 2.5A	
		—	0.150	0.180		V _{GS} = 4.5V, I _D = 2A	
Forward Transconductance (Notes 6 & 7)	g _{fs}	—	4.9	—	S	V _{DS} = 15V, I _D = 2.5A	
Diode Forward Voltage (Note 6)	V _{SD}	—	0.85	0.95	V	I _S = 2.8A, V _{GS} = 0V, T _J = +25°C	
Reverse Recovery Time (Note 7)	t _{rr}	—	21.5	—	ns	I _S = 2.8A, di/dt = 100A/μs	
Reverse Recovery Charge (Note 7)	Q _{rr}	—	20.5	—	nC	T _J = +25°C	
DYNAMIC CHARACTERISTICS (Note 7)							
Input Capacitance	C _{iSS}	—	330	—	pF	V _{DS} = 40V, V _{GS} = 0V, f = 1.0MHz	
Output Capacitance	C _{oss}	—	35.2	—			
Reverse Transfer Capacitance	C _{rSS}	—	17.1	—			
Gate Charge (Note 8)	Q _g	—	3.0	—	nC	V _{GS} = 4.5V	
Total Gate Charge (Note 8)	Q _g	—	5.7	—		V _{GS} = 10V	V _{DS} = 15V I _D = 2.5A
Gate-Source Charge (Note 8)	Q _{gs}	—	1.25	—			
Gate-Drain Charge (Note 8)	Q _{gd}	—	0.86	—	ns	V _{DD} = 30V, I _D = 2.5A, R _G = 6Ω, V _{GS} = 10V	
Turn-On Delay Time (Note 8)	t _{D(on)}	—	1.95	—			
Turn-On Rise Time (Note 8)	t _r	—	3.5	—			
Turn-Off Delay Time (Note 8)	t _{D(off)}	—	8.2	—			
Turn-Off Fall Time (Note 8)	t _f	—	4.6	—			

- Notes:
- 6. Measured under pulsed conditions. Pulse width ≤ 300μs; duty cycle ≤ 2%.
 - 7. For design aid only, not subject to production testing.
 - 8. Switching characteristics are independent of operating junction temperature.

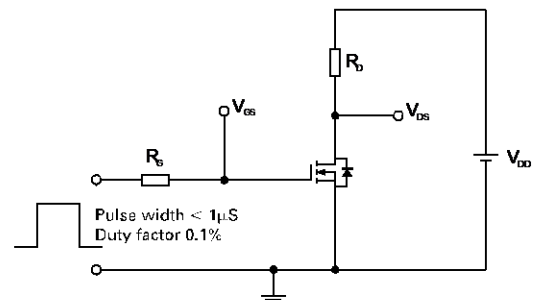
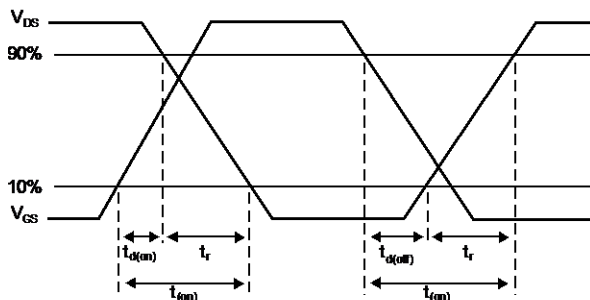
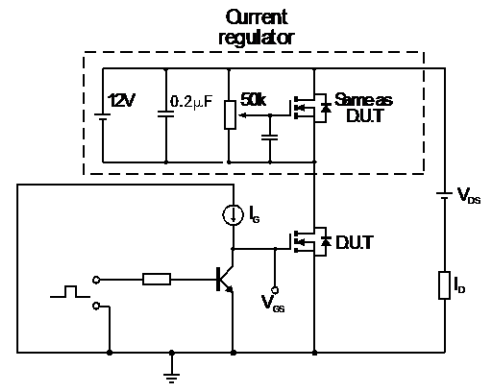
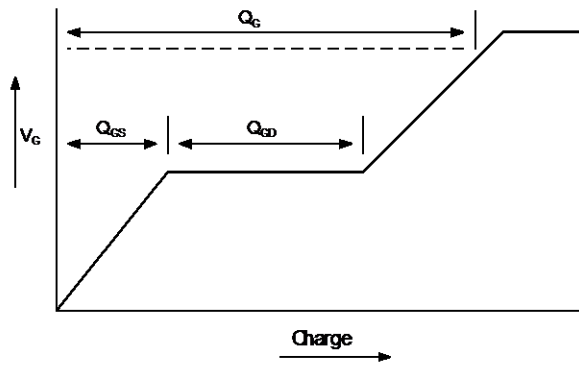
Typical Characteristics



Typical Characteristics (cont.)

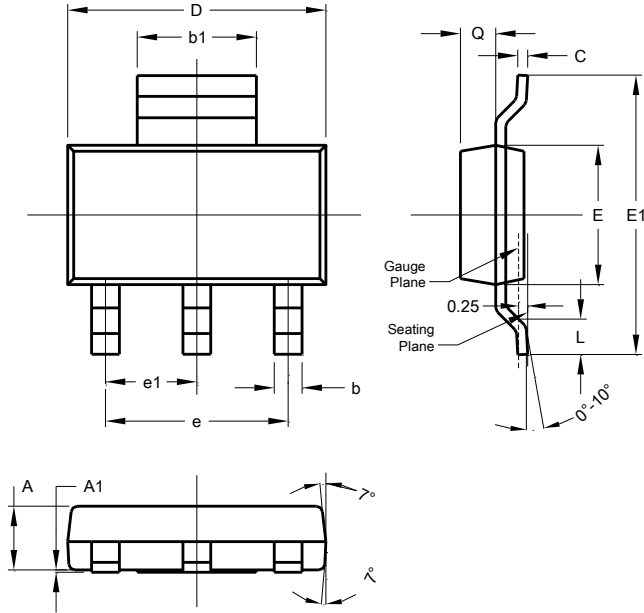


Test Circuit



Package Outline Dimensions

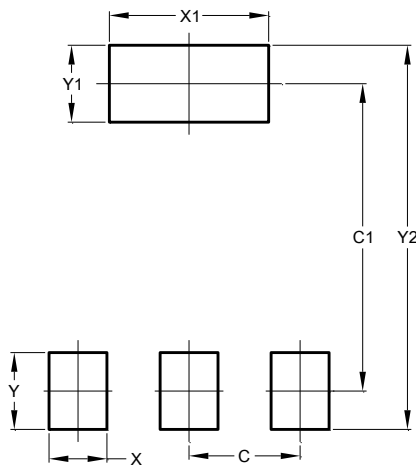
Please see AP02001 at <http://www.diodes.com/datasheets/ap02001.pdf> for the latest version



SOT223			
Dim	Min	Max	Typ
A	1.55	1.65	1.60
A1	0.010	0.15	0.05
b	0.60	0.80	0.70
b1	2.90	3.10	3.00
C	0.20	0.30	0.25
D	6.45	6.55	6.50
E	3.45	3.55	3.50
E1	6.90	7.10	7.00
e	-	-	4.60
e1	-	-	2.30
L	0.85	1.05	0.95
Q	0.84	0.94	0.89
All Dimensions in mm			

Suggested Pad Layout

Please see AP02002 at <http://www.diodes.com/datasheets/ap02002.pdf> for the latest version



Dimensions	Value (in mm)
C	2.30
C1	6.40
X	1.20
X1	3.30
Y	1.60
Y1	1.60
Y2	8.00

IMPORTANT NOTICE

DIODES INCORPORATED MAKES NO WARRANTY OF ANY KIND, EXPRESS OR IMPLIED, WITH REGARDS TO THIS DOCUMENT, INCLUDING, BUT NOT LIMITED TO, THE IMPLIED WARRANTIES OF MERCHANTABILITY AND FITNESS FOR A PARTICULAR PURPOSE (AND THEIR EQUIVALENTS UNDER THE LAWS OF ANY JURISDICTION).

Diodes Incorporated and its subsidiaries reserve the right to make modifications, enhancements, improvements, corrections or other changes without further notice to this document and any product described herein. Diodes Incorporated does not assume any liability arising out of the application or use of this document or any product described herein; neither does Diodes Incorporated convey any license under its patent or trademark rights, nor the rights of others. Any Customer or user of this document or products described herein in such applications shall assume all risks of such use and will agree to hold Diodes Incorporated and all the companies whose products are represented on Diodes Incorporated website, harmless against all damages.

Diodes Incorporated does not warrant or accept any liability whatsoever in respect of any products purchased through unauthorized sales channel. Should Customers purchase or use Diodes Incorporated products for any unintended or unauthorized application, Customers shall indemnify and hold Diodes Incorporated and its representatives harmless against all claims, damages, expenses, and attorney fees arising out of, directly or indirectly, any claim of personal injury or death associated with such unintended or unauthorized application.

Products described herein may be covered by one or more United States, international or foreign patents pending. Product names and markings noted herein may also be covered by one or more United States, international or foreign trademarks.

LIFE SUPPORT

Diodes Incorporated products are specifically not authorized for use as critical components in life support devices or systems without the express written approval of the Chief Executive Officer of Diodes Incorporated. As used herein:

A. Life support devices or systems are devices or systems which:

1. are intended to implant into the body, or
2. support or sustain life and whose failure to perform when properly used in accordance with instructions for use provided in the labeling can be reasonably expected to result in significant injury to the user.

B. A critical component is any component in a life support device or system whose failure to perform can be reasonably expected to cause the failure of the life support device or to affect its safety or effectiveness.

Customers represent that they have all necessary expertise in the safety and regulatory ramifications of their life support devices or systems, and acknowledge and agree that they are solely responsible for all legal, regulatory and safety-related requirements concerning their products and any use of Diodes Incorporated products in such safety-critical, life support devices or systems, notwithstanding any devices- or systems-related information or support that may be provided by Diodes Incorporated. Further, Customers must fully indemnify Diodes Incorporated and its representatives against any damages arising out of the use of Diodes Incorporated products in such safety-critical, life support devices or systems.

Copyright © 2015, Diodes Incorporated

www.diodes.com

Looking for pricing, stock, or lifecycle information?

Click below to explore more details on WIN SOURCE:

 [View ZXMN6A11GTC on WIN SOURCE](#)

 [Diodes Incorporated Information](#)

Optimize Your Supply Chain with WIN SOURCE Solutions

-  Global Sourcing Solution
-  Obsolete Management
-  Cost Control Management
-  Shortage Management
-  Alternative Solution
-  Excess Inventory Management