



**THE DATASHEET OF  
TPS61201DRCTG4**



# TPS6120x Low Input Voltage Synchronous Boost Converter With 1.3-A Switches

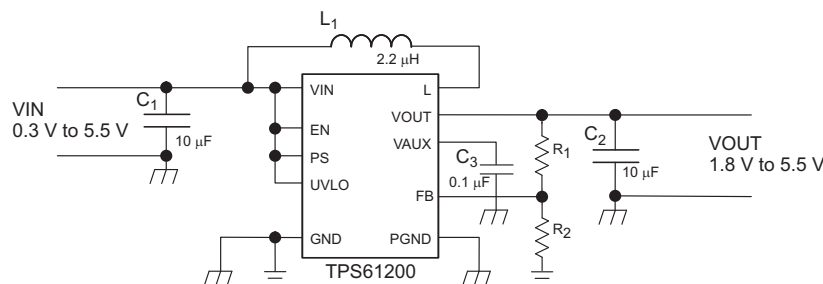
## 1 Features

- More than 90% Efficiency at
  - 300 mA Output Current at 3.3 V ( $V_{IN} \geq 2.4$  V)
  - 600 mA Output Current at 5 V ( $V_{IN} \geq 3$  V)
- Automatic Transition between Boost Mode and Down Conversion Mode
- Device Quiescent Current Less than 55  $\mu$ A
- Startup into Full Load at 0.5 V Input Voltage
- Operating Input Voltage Range from 0.3 V to 5.5 V
- Programmable Undervoltage Lockout Threshold
- Output Short Circuit Protection Under all Operating Conditions
- Fixed and Adjustable Output Voltage Options from 1.8 V to 5.5 V
- Power Save Mode for Improved Efficiency at Low Output Power
- Forced Fixed Frequency Operation Possible
- Load Disconnect During Shutdown
- Overtemperature Protection
- Small 3 mm x 3 mm VSON-10 Package

## 2 Applications

- All Single-Cell, Two-Cell and Three-Cell Alkaline, NiCd or NiMH or Single-Cell Li Battery Powered Products
- Fuel Cell And Solar Cell Powered Products
- Portable Audio Players
- PDAs
- Cellular Phones
- Personal Medical Products
- White LED Driver

## 4 Typical Application



## 3 Description

The TPS6120x devices provide a power supply solution for products powered by either a single-cell, two-cell, or three-cell alkaline, NiCd or NiMH, or one-cell Li-Ion or Li-polymer battery. It is also used in fuel cell or solar cell powered devices where the capability of handling low input voltages is essential. Possible output currents depend on the input to output voltage ratio. The devices provide output currents of up to 600 mA at a 5-V output, while using a single-cell Li-Ion or Li-Polymer battery and discharges it down to 2.6 V. The boost converter is based on a fixed frequency, pulse-width-modulation (PWM) controller using synchronous rectification to obtain maximum efficiency. At low load currents, the converter enters the Power Save mode to maintain a high efficiency over a wide load current range. The Power Save mode can be disabled, forcing the converter to operate at a fixed switching frequency. The average input current is limited to a maximum value of 1500 mA. The output voltage is programmed by an external resistor divider, or is fixed internally on the chip. The converter can be disabled to minimize battery drain. During shutdown, the load is completely disconnected from the battery. The device is packaged in a 10-pin VSON package measuring 3 mm x 3 mm.

### Device Information<sup>(1)</sup>

PART NUMBER	PACKAGE	BODY SIZE (NOM)
TPS6120x	VSON (10)	3.00 mm x 3.00 mm

(1) For all available packages, see the orderable addendum at the end of the datasheet.



## Table of Contents

<b>1 Features</b> .....	1	10.3 Feature Description.....	12
<b>2 Applications</b> .....	1	10.4 Device Functional Modes.....	13
<b>3 Description</b> .....	1	<b>11 Application and Implementation</b> .....	14
<b>4 Typical Application</b> .....	1	11.1 Application Information.....	14
<b>5 Revision History</b> .....	2	11.2 Typical Application .....	14
<b>6 Device Options</b> .....	4	11.3 System Examples .....	19
<b>7 Pin Configuration and Functions</b> .....	4	<b>12 Power Supply Recommendations</b> .....	20
<b>8 Specifications</b> .....	5	<b>13 Layout</b> .....	21
8.1 Absolute Maximum Ratings .....	5	13.1 Layout Guidelines .....	21
8.2 ESD Ratings.....	5	13.2 Layout Example .....	21
8.3 Recommended Operating Conditions.....	5	13.3 Thermal Considerations.....	21
8.4 Thermal Information .....	5	<b>14 Device and Documentation Support</b> .....	22
8.5 Electrical Characteristics.....	6	14.1 Related Links .....	22
8.6 Typical Characteristics.....	7	14.2 Trademarks .....	22
<b>9 Parameter Measurement Information</b> .....	10	14.3 Electrostatic Discharge Caution.....	22
<b>10 Detailed Description</b> .....	11	14.4 Glossary .....	22
10.1 Overview .....	11	<b>15 Mechanical, Packaging, and Orderable Information</b> .....	22
10.2 Functional Block Diagram .....	11		

## 5 Revision History

NOTE: Page numbers for previous revisions may differ from page numbers in the current version.

Changes from Revision D (March 2013) to Revision E	Page
• Added <i>ESD Ratings</i> table, <i>Feature Description</i> section, <i>Device Functional Modes</i> , <i>Application and Implementation</i> section, <i>Power Supply Recommendations</i> section, <i>Layout</i> section, <i>Device and Documentation Support</i> section, and <i>Mechanical, Packaging, and Orderable Information</i> section .....	1

Changes from Revision C (September 2012) to Revision D	Page
• Changed the PS pin description From: Enable/disable Power Save mode (High = enabled, Low = disabled) To: Enable/disable Power Save mode (High = disabled, Low = enabled) .....	4

Changes from Revision B (FEBRUARY 2008) to Revision C	Page
• Changed Feature From: Small 3 mm x 3 mm QFN-10 Package To: Small 3 mm x 3 mm SON-10 Package .....	1
• Changed Application From: White LED's To: White LED Driver .....	1
• Changed the Available Device Options Package type From: 10-PIN QFN To: 10-Pin SON.....	4
• Changed $V_{SS}$ to $V_{IN}$ in the Recommended Operating Conditions table .....	5
• Changed From: DISSIPATION RATINGS TABLE To: Thermal Information table .....	5
• Changed the Parameters and Test Conditions in the Electrical Characteristics table .....	6
• Updated <a href="#">Figure 1</a> through <a href="#">Figure 11</a> .....	7
• Added C3 to the List of Components .....	14
• Added text to the Input Capacitor section "An R-C filter may be placed..." .....	16
• Added <a href="#">Figure 26</a> , <a href="#">Figure 27</a> , and <a href="#">Figure 28</a> .....	19
• Added <a href="#">Figure 29</a> .....	21

---

**Changes from Revision A (JUNE 2007) to Revision B****Page**

- 
- Added DSC package and tape and reel note to the Available Device Options. .... 4
- 

**Changes from Original (MARCH 2007) to Revision A****Page**

- 
- Changed Features bullet From: 600 mA Output Current at 3.3 V (VIN ≥ 1.2 V) To: 300 mA Output Current at 3.3 V (VIN ≥ 2.4 V) ..... 1
  - Changed [Figure 6](#) label From: Power Save Disabled To: Power Save Enabled ..... 7
  - Changed [Figure 7](#) label From: Power Save Enabled To: Power Save Disabled ..... 8
-

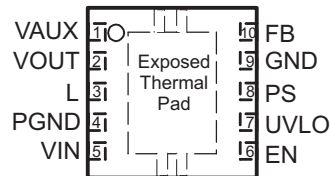
## 6 Device Options

$T_A$	OUTPUT VOLTAGE <sup>(1)</sup>	PART NUMBER <sup>(2)</sup>
–40°C to 85°C	Adjustable	TPS61200DRC
	3.3 V	TPS61201DRC
	5 V	TPS61202DRC
	5 V	TPS61202DSC

- (1) Contact the factory to check availability of other fixed output voltage versions.
- (2) The DRC and the DSC package are available taped and reeled. Add R suffix to device type (e.g., TPS61200DRCR or TPS61202DSCR) to order quantities of 3000 devices per reel. It is also available in minireels. Add a T suffix to the device type (i.e. TPS61200DRCT or TPS61202DSCT) to order quantities of 250 devices per reel.

## 7 Pin Configuration and Functions

**DSC and DRC Package  
10 Pins  
Top View**



**Pin Functions**

PIN		I/O	DESCRIPTION
NAME	NO.		
EN	6	I	Enable input (High = enabled, Low = disabled). Do not leave floating.
Exposed thermal pad	—	—	Must be soldered to achieve appropriate power dissipation and mechanical reliability. Should be connected to PGND.
FB	10	I	Voltage feedback of adjustable versions, must be connected to $V_{OUT}$ at fixed output voltage versions
GND	9	—	Control / logic ground
PGND	4	—	Power ground
PS	8	I	Enable/disable Power Save mode (High = disabled, Low = enabled). Do not leave floating.
L	3	I	Connection for Inductor
UVLO	7	I	Undervoltage lockout comparator input. Must be connected to VAUX if not used
VAUX	1	I/O	Supply voltage for control stage
VIN	5	I	Boost converter input voltage
VOUT	2	O	Boost converter output

## 8 Specifications

### 8.1 Absolute Maximum Ratings

over operating free-air temperature range (unless otherwise noted)<sup>(1)</sup>

		MIN	MAX	UNIT
V <sub>IN</sub>	Input voltage range on VIN, L, VAUX, VOUT, PS, EN, FB, UVLO	-0.3	7	V
T <sub>J</sub>	Operating junction temperature	-40	150	°C
T <sub>stg</sub>	Storage temperature	-65	150	°C

- (1) Stresses beyond those listed under *Absolute Maximum Ratings* may cause permanent damage to the device. These are stress ratings only, and functional operation of the device at these or any other conditions beyond those indicated under *Recommended Operating Conditions* is not implied. Exposure to absolute-maximum-rated conditions for extended periods may affect device reliability.

### 8.2 ESD Ratings

		VALUE	UNIT
V <sub>(ESD)</sub>	Electrostatic discharge	Human-body model (HBM), per ANSI/ESDA/JEDEC JS-001 <sup>(1)</sup>	±4000
		Charged-device model (CDM), per JEDEC specification JESD22-C101 <sup>(2)</sup>	±1500
		Machine Model (MM) <sup>(3)</sup>	±200

- (1) JEDEC document JEP155 states that 500-V HBM allows safe manufacturing with a standard ESD control process. Manufacturing with less than 500-V HBM is possible with the necessary precautions.  
 (2) JEDEC document JEP157 states that 250-V CDM allows safe manufacturing with a standard ESD control process. Manufacturing with less than 250-V CDM is possible with the necessary precautions.  
 (3) ESD testing is performed according to the respective JESD22 JEDEC standard.

### 8.3 Recommended Operating Conditions

		MIN	NOM	MAX	UNIT
V <sub>IN</sub>	Input voltage at VIN	0.3		5.5	V
T <sub>A</sub>	Operating free air temperature range	-40		85	°C
T <sub>J</sub>	Operating junction temperature range	-40		125	°C

### 8.4 Thermal Information

THERMAL METRIC <sup>(1)</sup>	TPS6120x		UNIT	
	DRC	DSC		
	10 PINS	10 PINS		
R <sub>θJA</sub>	Junction-to-ambient thermal resistance	41.2	40.4	°C/W
R <sub>θJC(top)</sub>	Junction-to-case (top) thermal resistance	62.8	37.8	
R <sub>θJB</sub>	Junction-to-board thermal resistance	16.6	15.4	
ψ <sub>JT</sub>	Junction-to-top characterization parameter	1.2	0.3	
ψ <sub>JB</sub>	Junction-to-board characterization parameter	16.8	15.6	
R <sub>θJC(bot)</sub>	Junction-to-case (bottom) thermal resistance	4.1	2.8	

- (1) For more information about traditional and new thermal metrics, see the *IC Package Thermal Metrics* application report, [SPRA953](#).

## 8.5 Electrical Characteristics

over recommended junction temperature range and over recommended input voltage range (typical at an ambient temperature range of 25°C) (unless otherwise noted)

PARAMETER		TEST CONDITIONS	MIN	TYP	MAX	UNIT	
<b>DC-DC STAGE</b>							
$V_{IN}$	Input voltage range		0.3		5.5	V	
$V_{IN}$	Minimum input voltage at startup				0.5	V	
$V_{OUT}$	TPS61200 output voltage range		1.8		5.5	V	
$V_{FB}$	TPS61200 feedback voltage		495	500	505	mV	
$V_{OUT}$	TPS61201 output voltage	$V_{IN} < V_{OUT}$ , PS = High	3.27	3.3	3.33	V	
$V_{OUT}$	TPS61202 output voltage	$V_{IN} < V_{OUT}$ , PS = High	4.95	5.0	5.05	V	
f	Oscillator frequency		1250		1650	kHz	
$I_{LIM}$	average inductor current limit	$V_{OUT} = 3.3$ V	1200	1350	1500	mA	
$R_{DS(on)}$	Rectifying switch on resistance	$V_{OUT} = 3.3$ V		180		mΩ	
$R_{DS(on)}$	Main switch on resistance	$V_{OUT} = 3.3$ V		150		mΩ	
	Line regulation	$V_{IN} < V_{OUT}$ , PS = High		0.1%	0.5%		
	Load regulation	$V_{IN} < V_{OUT}$ , PS = High		0.1%	0.5%		
$I_Q$	Quiescent current	$V_{IN}$	$I_O = 0$ mA, $V_{EN} = V_{IN} = 1.2$ V, $V_{OUT} = 3.3$ V, $V_{AUX} = 3.3$ V PS = Low		1	2	μA
		$V_{OUT}$			50	70	μA
		$V_{AUX}$			4	6	μA
$I_{SD}$	Shutdown current	$V_{IN}$	$V_{EN} = 0$ V, $V_{IN} = 1.2$ V		0.5	1.5	μA
		$V_{AUX}$			1	2	μA
$I_{LKG}$	Input leakage current ( L )	$V_{EN} = 0$ V, $V_{IN} = 1.2$ V, $V_L = 1.2$ V		0.01	1	μA	
<b>CONTROL STAGE</b>							
$V_{AUX}$	Auxiliary Output Voltage		2.4		5.5	V	
$V_{IL}$	Low level input threshold voltage (EN)	$V_{IN} < 0.8$ V			$0.1 \times V_{IN}$	V	
$V_{IH}$	High level input threshold voltage (EN)	$V_{IN} < 0.8$ V	$0.9 \times V_{IN}$			V	
$V_{IL}$	Low level input threshold voltage (EN)	$0.8$ V $\leq V_{IN} \leq 1.5$ V			$0.2 \times V_{IN}$	V	
$V_{IH}$	High level input threshold voltage (EN)	$0.8$ V $\leq V_{IN} \leq 1.5$ V	$0.8 \times V_{IN}$			V	
$V_{IL}$	Low level input threshold voltage (EN)	$V_{IN} > 1.5$ V			0.4	V	
$V_{IH}$	High level input threshold voltage (EN)	$V_{IN} > 1.5$ V	1.2			V	
$V_{IL}$	Low level input threshold voltage (PS)				0.4	V	
$V_{IH}$	High level input threshold voltage (PS)		1.2			V	
$I_{LKG}$	Input leakage current (EN, PS)	EN, PS = GND or $V_{IN}$		0.01	0.1	μA	
$V_{UVLO}$	Undervoltage lockout threshold	Falling UVLO voltage	235	250	265	mV	
$V_{UVLO}$	Undervoltage lockout threshold	Rising UVLO voltage	330	350	370	mV	
$I_{LKG}$	Input leakage current (UVLO)	$V_{UVLO} = 0.5$ V			0.3	μA	
$V_{OVP}$	Overvoltage protection threshold		5.5		7	V	
	Thermal shutdown temperature	Rising temperature		140		°C	
	Thermal shutdown temperature hysteresis			20		°C	

## 8.6 Typical Characteristics

Table 1. Table of Graphs

		FIGURE
Maximum output current	vs Input voltage	Figure 1
Efficiency	vs Output current (TPS61200), Power Save Enabled	Figure 2
	vs Output current (TPS61200), Power Save Disabled	Figure 3
	vs Output current (TPS61201), Power Save Enabled	Figure 4
	vs Output current (TPS61201), Power Save Disabled	Figure 5
	vs Output current (TPS61202), Power Save Enabled	Figure 6
	vs Output current (TPS61202), Power Save Disabled	Figure 7
	vs Input voltage (TPS61201), Power Save Enabled	Figure 8
	vs Input voltage (TPS61201), Power Save Disabled	Figure 9
	vs Input voltage (TPS61202), Power Save Enabled	Figure 10
	vs Input voltage (TPS61202), Power Save Disabled	Figure 11
Output voltage	vs Output current (TPS61201)	Figure 12
	vs Output current (TPS61202)	Figure 13

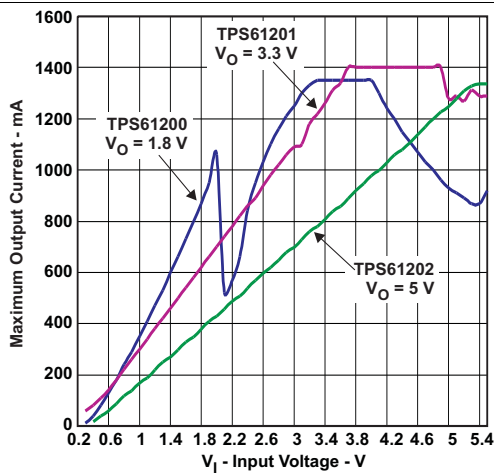


Figure 1. Maximum Output Current vs Input Voltage

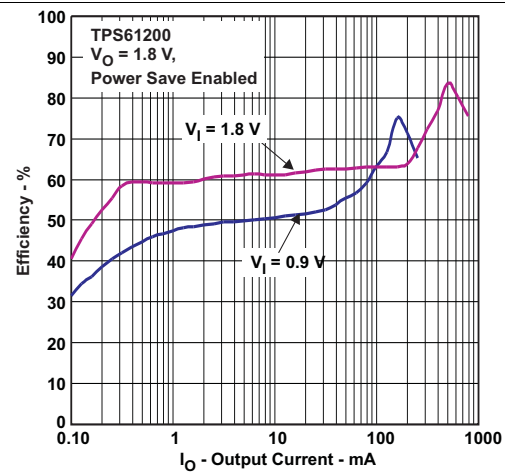


Figure 2. Efficiency vs Output Current

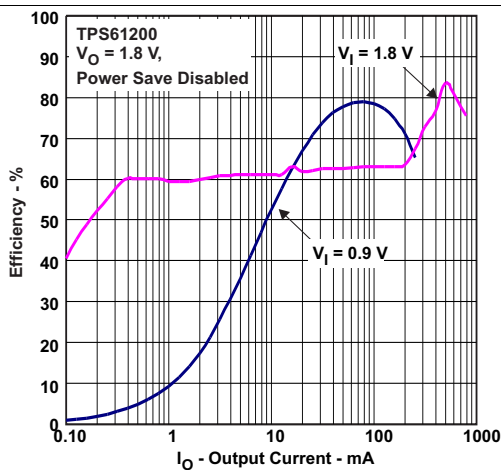


Figure 3. Efficiency vs Output Current

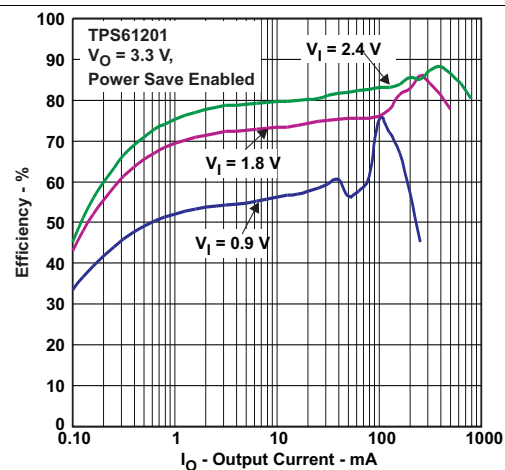


Figure 4. Efficiency vs Output Current

TPS61200, TPS61201, TPS61202

SLVS577E – MARCH 2007 – REVISED DECEMBER 2014

www.ti.com

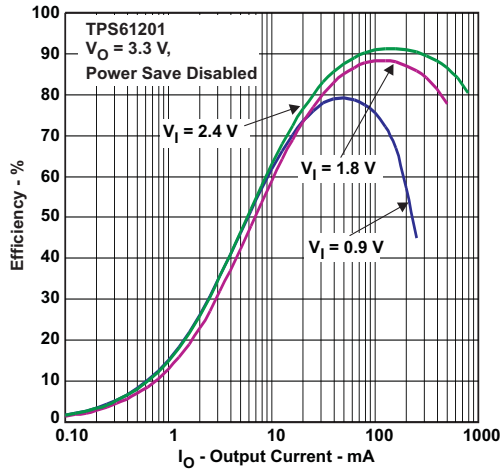


Figure 5. Efficiency vs Output Current

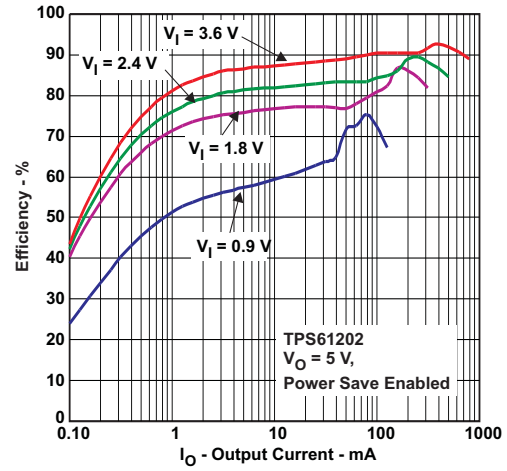


Figure 6. Efficiency vs Output Current

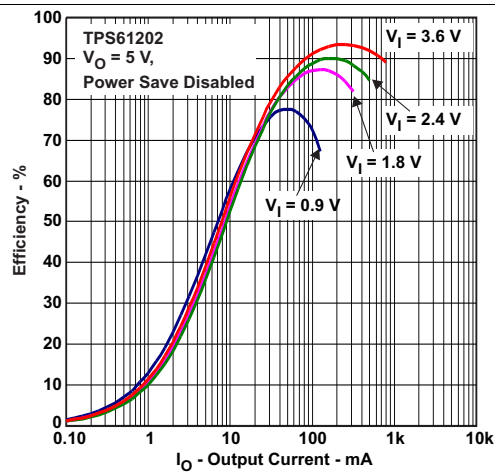


Figure 7. Efficiency vs Output Current

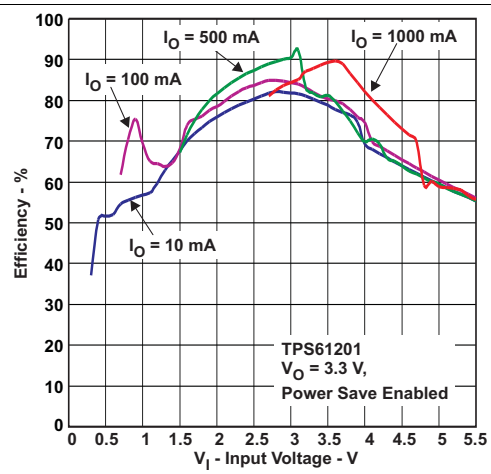


Figure 8. Efficiency vs Input Voltage

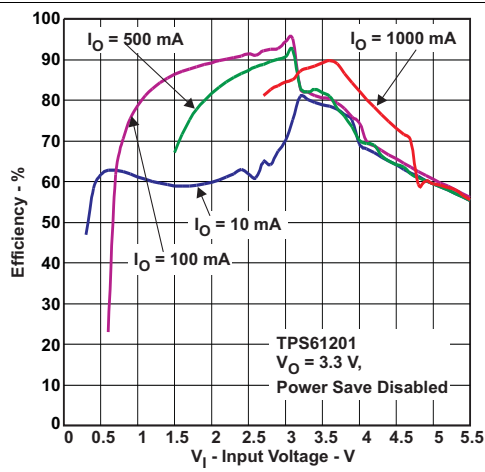


Figure 9. Efficiency vs Input Voltage

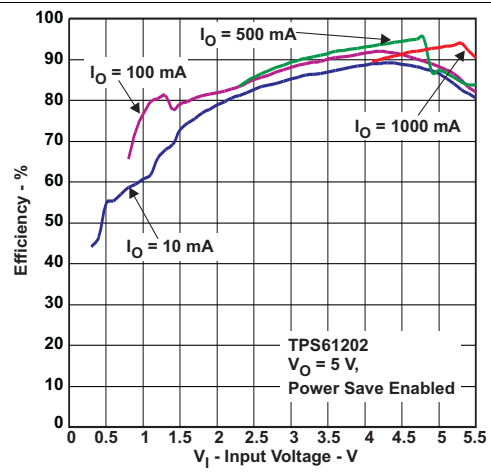


Figure 10. Efficiency vs Input Voltage

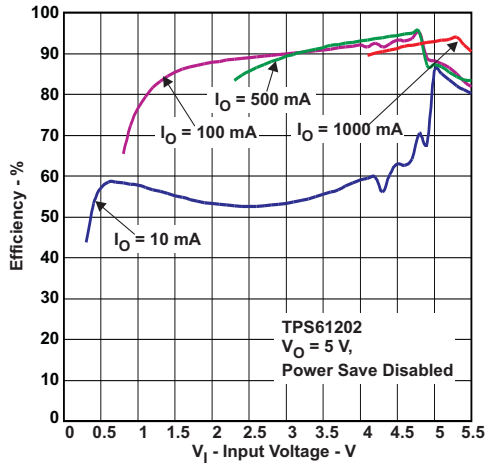


Figure 11. Efficiency vs Input Voltage

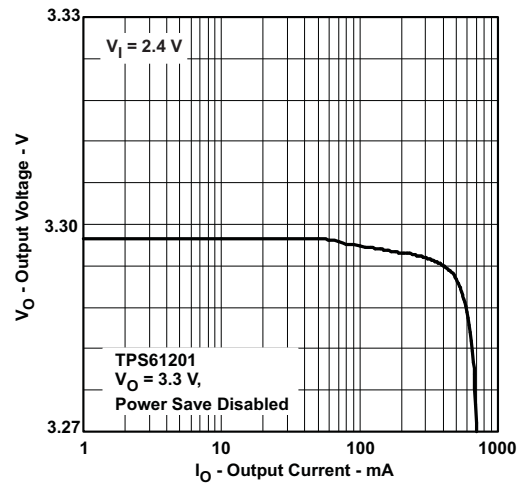


Figure 12. Output Voltage vs Output Current

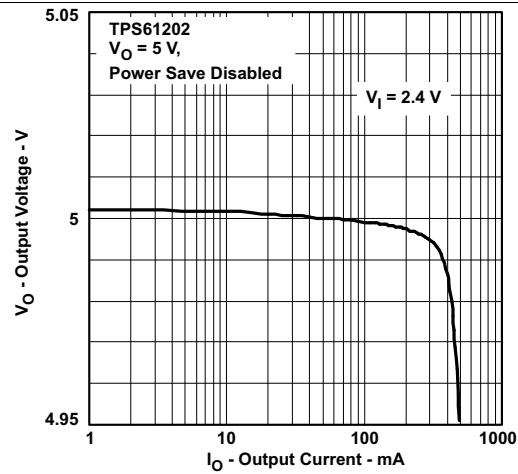
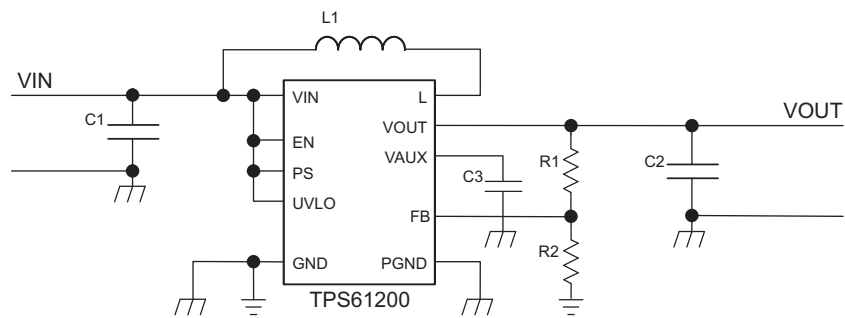


Figure 13. Output Voltage vs Output Current

## 9 Parameter Measurement Information



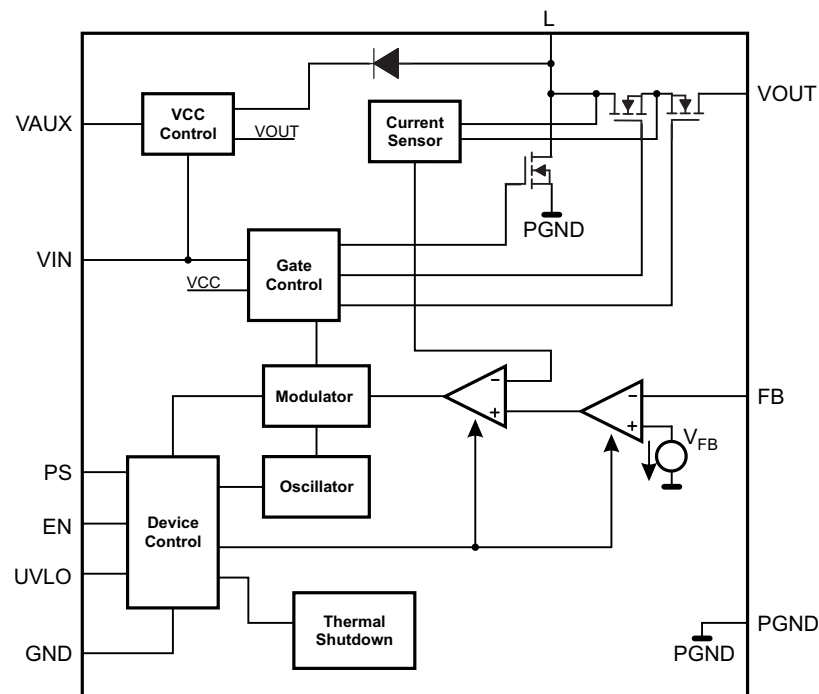
**Figure 14. Parameter Measurement Schematic**

## 10 Detailed Description

### 10.1 Overview

The TPS6120x is a low input voltage synchronous boost converter family. The devices support 0.3-V to 5.5-V input voltage range, so can provide power supply solutions for products powered by either a single-cell, two-cell, or three-cell alkaline, NiCd or NiMH, or one-cell Li-Ion or Li-polymer battery. It is also used in fuel cell or solar cell powered devices where the capability of handling low input voltages is essential. The devices provide output currents of up to 600 mA at a 5-V output, while using a single-cell Li-Ion or Li-Polymer battery and discharges it down to 2.6 V. The boost converter is based on a fixed frequency, pulse-width-modulation (PWM) controller using synchronous rectification to obtain maximum efficiency. At low load currents, the converter enters the Power Save mode to maintain a high efficiency over a wide load current range. The Power Save mode can be disabled, forcing the converter to operate at a fixed switching frequency. The average input current is limited to a maximum value of 1500 mA. The output voltage is programmed by an external resistor divider, or is fixed internally on the chip. The converter can be disabled to minimize battery drain. During shutdown, the load is completely disconnected from the battery.

### 10.2 Functional Block Diagram



## 10.3 Feature Description

### 10.3.1 Controller Circuit

The controlling circuit of the device is based on an average current mode topology. The average inductor current is regulated by a fast current regulator loop which is controlled by a voltage control loop. The controller also uses input and output voltage feedforward. Changes of input and output voltage are monitored and immediately change the duty cycle in the modulator to achieve a fast response to those errors. The voltage error amplifier gets its feedback input from the FB pin. For adjustable output voltage devices, a resistive voltage divider must be connected to that pin. For fixed output voltage devices, FB must be connected to the output voltage to directly sense the voltage. Fixed output voltage versions use a trimmed internal resistive divider. The feedback voltage is compared with the internal reference voltage to generate a stable and accurate output voltage.

The controller circuit also senses the average input current as well as the peak input current. Thus, the maximum input power is controlled as well as the maximum peak current, to achieve a safe and stable operation under all possible conditions. To protect the device from overheating, an internal temperature sensor is implemented.

#### 10.3.1.1 Synchronous Operation

The device uses three internal N-channel MOSFETs to maintain synchronous power conversion at all possible operating conditions. This enables the device to keep high efficiency over a wide input voltage and output power range.

To avoid ground shift problems due to the high currents in the switches, two separate ground pins, GND and PGND, are used. The reference for all control functions is the GND pin. The power switches are connected to PGND. Both grounds must be connected on the PCB at only one point, ideally close to the GND pin. Due to the 3-switch topology, the load is always disconnected from the input during shutdown of the converter.

#### 10.3.1.2 Down Regulation

A boost converter only regulates output voltages which are higher than the input voltage. This device operates differently. For example, it is able to regulate 3 V at the output with two fresh alkaline cells at the input having a total cell voltage of 3.2 V. Another example is powering white LEDs with a forward voltage of 3.6 V from a fully charged Li-Ion cell with an output voltage of 4.2 V. To control these applications properly, a Down Conversion mode is implemented.

If the input voltage reaches or exceeds the output voltage, the converter automatically changes to a Down Conversion mode. In this mode, the control circuit changes the behavior of the two rectifying switches. While continuing switching, it sets the voltage drop across the rectifying switches as high as needed to regulate the output voltage. This means the power losses in the converter increase. This must be taken into account for thermal consideration.

#### 10.3.1.3 Device Enable

The device is put into operation when EN is set high. It is put into Shutdown mode when EN is set to low. In Shutdown mode, the regulator stops switching, all internal control circuitry including the UVLO comparator is switched off, and the load is disconnected from the input. Current does not flow from input to output or from output to input. This also means that the output voltage can drop below the input voltage during shutdown.

#### 10.3.1.4 Softstart and Short-Circuit Protection

During start-up of the converter, the duty cycle and the peak current are limited in order to avoid high peak currents drawn from the battery. After being enabled, the device starts operating. At first, it keeps the main output VOUT disconnected, and charges the capacitor at VAUX. Once the capacitor at VAUX is charged to about 2.5 V, the device switches to normal operation. This means VOUT is turned on and the capacitor at VOUT is charged, while the load connected to the device is supplied. To ramp up the output voltage in a controlled way, the average current limit is set to 400 mA and rises proportional to the increase of the output voltage. At an output voltage of about 1.2 V the current limit is at its nominal value. If the output voltage does not increase, the current limit does not increase. There is no timer implemented. Thus the output voltage overshoot at startup, as well as the inrush current, is kept at a minimum. The device ramps up the output voltage in a controlled manner even if a large capacitor is connected at the output. When the output voltage does not increase above 1.2 V, the device assumes a short-circuit at the output, and keeps the current limit low to protect itself and the application. When there is a short at the output during operation, the current limit is decreased accordingly.

## Feature Description (continued)

The device can also start into a Prebias on the outputs.

### 10.3.1.5 Current Limit

The device current limit limits the average current in the inductor. In a boost converter, this is the input current. If an excessive load requires an input current greater than the average current limit, the device limits the input current by reducing the output power delivered. In this case, the output voltage decreases.

### 10.3.1.6 Undervoltage Lockout

An undervoltage lockout function prevents the main output at VOUT from being supplied if the voltage at the UVLO pin drops below 0.25 V. When using a resistive divider at the voltage to be monitored, for example the supply voltage, any threshold for the monitored voltage can be programmed. If in undervoltage lockout mode, the device still maintains its supply voltage at VAUX, and it is not turned off until EN is programmed low. This undervoltage lockout function is implemented in order to prevent the malfunctioning of the converter.

### 10.3.1.7 Thermal Shutdown

The device has a built-in temperature sensor which monitors the internal IC temperature. If the temperature exceeds the programmed threshold (see electrical characteristics table), the device stops operating. As soon as the IC temperature has decreased below the programmed threshold, it starts operating again. There is a built-in hysteresis to avoid unstable operation at IC temperatures at the thermal shutdown threshold.

## 10.4 Device Functional Modes

### 10.4.1 Power Save Mode

The Power Save (PS) pin can be used to select different operation modes. To enable Power Save mode the PS pin must be set low. Power Save mode is used to improve efficiency at light load. If Power Save mode is enabled, the converter stops operating if the average inductor current decreases below about 300 mA and the output voltage is at or above its nominal value. If the output voltage decreases below its nominal value, the device ramps up the output voltage again by starting operation using a programmed average inductor current higher than required by the current load condition. Operation can last for one or several pulses. The converter stops operating once the conditions for stopping operation are met again.

The Power Save mode can be disabled by programming a high at the PS pin. In Down Conversion mode, Power Save mode is always enabled and the device cannot be forced into fixed frequency operation at light loads. The PS input supports standard logic thresholds.

### 10.4.2 Down Conversion Mode

If the input voltage reaches or exceeds the output voltage, the converter automatically changes to a Down Conversion mode. In this mode, the control circuit changes the behavior of the two rectifying switches. While continuing switching, it sets the voltage drop across the rectifying switches as high as needed to regulate the output voltage. This means the power losses in the converter increase. This must be taken into account for thermal consideration.

## 11 Application and Implementation

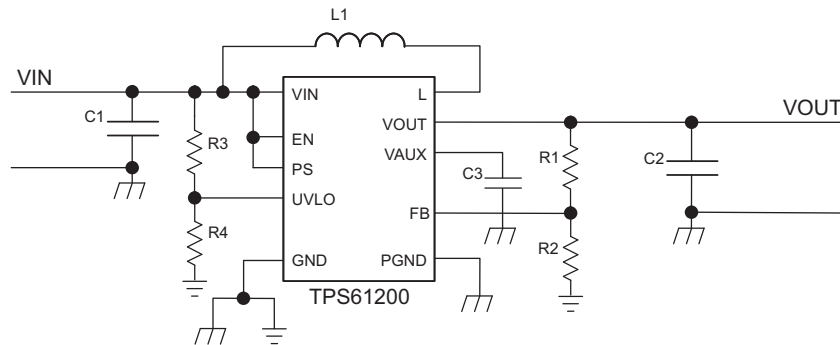
### NOTE

Information in the following applications sections is not part of the TI component specification, and TI does not warrant its accuracy or completeness. TI's customers are responsible for determining suitability of components for their purposes. Customers should validate and test their design implementation to confirm system functionality.

### 11.1 Application Information

The TPS6120x DC-DC converters are intended for systems powered by a single up to triple cell Alkaline, NiCd, NiMH battery with a typical terminal voltage between 0.7 V and 5.5 V. They can also be used in systems powered by one-cell Li-Ion or Li-Polymer with a typical voltage between 2.5 V and 4.2 V. Additionally, any other voltage source like solar cells or fuel cells with a typical output voltage between 0.3 V and 5.5 V can power systems where the TPS6120x is used.

### 11.2 Typical Application



**Figure 15. Typical Application Circuit for Adjustable Output Voltage Option**

#### 11.2.1 Design Requirements

In this example, TPS61200 is used to design a 3.3-V power supply with 100-mA output current capability. The TPS61200 can be powered by either a single-cell, two-cell, or three-cell alkaline, NiCd or NiMH, or one-cell Li-Ion or Li-Polymer battery. In this example, the input voltage range is from 0.8 V to 1.65 V for single-cell alkaline input.

#### 11.2.2 Detailed Design Procedure

**Table 2. List of Components**

COMPONENT REFERENCE	PART NUMBER	MANUFACTURER	VALUE
C1		any	10 $\mu$ F, X7R Ceramic
C2		any	2 x 10 $\mu$ F, X7R Ceramic
C3		any	1 $\mu$ F, X7R, Ceramic
L1	LPS3015-222ML	Coilcraft	2.2 $\mu$ H

##### 11.2.2.1 Programming the Output Voltage

Within the TPS6120X family, there are fixed and adjustable output voltage versions available. To properly configure the fixed output voltage devices, the FB pin is used to sense the output voltage. This means that it must be connected directly to VOUT. For the adjustable output voltage version, an external resistor divider is used to adjust the output voltage. The resistor divider must be connected between VOUT, FB and GND. When the output voltage is regulated properly, the typical value of the voltage at the FB pin is 500 mV. The maximum recommended value for the output voltage is 5.5 V. The current through the resistive divider should be about 100 times greater than the current into the FB pin. The typical current into the FB pin is 0.01  $\mu$ A, and the voltage

across the resistor between FB and GND, R<sub>2</sub>, is typically 500 mV. Based on those two values, the recommended value for R<sub>2</sub> should be lower than 500 kΩ, in order to set the divider current at 1 μA or higher. It is recommended to keep the value for this resistor in the range of 200 kΩ. The value of the resistor connected between V<sub>OUT</sub> and FB, R<sub>1</sub>, depending on the needed output voltage (V<sub>OUT</sub>), can be calculated using [Equation 1](#):

$$R_1 = R_2 \times \left( \frac{V_{OUT}}{V_{FB}} - 1 \right) \quad (1)$$

As an example, for an output voltage of 3.3 V, a 1-MΩ resistor should be chosen for R<sub>1</sub> when a 180-kΩ is selected for R<sub>2</sub>.

### 11.2.2.2 Programming the UVLO Threshold Voltage

The UVLO input can be used to shut down the main output if the supply voltage is getting too low. The internal reference threshold is typically 250 mV. If the supply voltage should cause the shutdown when it is dropping below 250 mV, V<sub>IN</sub> can be connected directly to the UVLO pin. If the shutdown should happen at higher voltages, a resistor divider can be used. R<sub>3</sub> and R<sub>4</sub> in [Figure 15](#) show an example of how to monitor the input voltage of the circuit. The current through the resistive divider should be about 100 times greater than the current into the UVLO pin. The typical current into the UVLO pin is 0.01 μA, and the voltage across R<sub>4</sub> is equal to the UVLO voltage threshold that is generated on-chip, which has a value of 250 mV. Therefore, the recommended value for R<sub>4</sub> is in the range of 250 kΩ. From this, the value of resistor R<sub>3</sub>, depending on the desired shutdown voltage V<sub>INMIN</sub>, can be calculated using [Equation 2](#).

$$R_3 = R_4 \times \left( \frac{V_{INMIN}}{V_{UVLO}} - 1 \right) \quad (2)$$

### 11.2.2.3 Inductor Selection

To make sure that the TPS6120X devices can operate, an inductor must be connected between the VIN and L pins. To estimate the minimum inductance value, [Equation 3](#) can be used.

$$L_{MIN} = V_{IN} \times 0.5 \frac{\mu S}{A} \quad (3)$$

In [Equation 3](#), the minimum inductance, L<sub>MIN</sub>, for boost mode operation is calculated. V<sub>IN</sub> is the maximum input voltage. The recommended inductor value range is between 1.5 μH and 4.7 μH. The minimum inductor value should not be below 1.5 μH, even if [Equation 3](#) yields something lower. Using 2.2 μH is recommended anyway for getting best performance over the whole input and output voltage range.

With the chosen inductance value, the peak current for the inductor in steady state operation can be calculated using [Equation 4](#).

$$I_{LMAX} = \frac{V_{OUT} \times I_{OUT}}{0.8 \times V_{IN}} + \frac{V_{IN} \times (V_{OUT} - V_{IN})}{2 \times V_{OUT} \times f \times L} \quad (4)$$

This would be the critical value for the current rating for selecting the inductor. It also needs to be taken into account that load transients and error conditions may cause higher inductor currents. The following inductor series from different suppliers have been used with TPS6120x converters:

**Table 3. List of Inductors**

VENDOR	INDUCTOR SERIES
Coilcraft	LPS3015
	LPS4012
Murata	LQH3NP
Tajo Yuden	NR3015
Würth Elektronik	WE-TPC Typ S

### 11.2.2.4 Capacitor Selection

#### 11.2.2.4.1 Input Capacitor

At least a 4.7- $\mu$ F input capacitor is recommended to improve transient behavior of the regulator and EMI behavior of the total power supply circuit. An X5R or X7R ceramic capacitor placed as close as possible to the VIN and PGND pins of the IC is recommended.

An R-C filter may be placed on the VIN pin to improve performance in applications with a noisy input source. A 100- $\Omega$  resistor and 0.1- $\mu$ F capacitor are recommended in this case. This filter is not required operation.

#### 11.2.2.4.2 Output Capacitor

For the output capacitor, it is recommended to use small X5R or X7R ceramic capacitors placed as close as possible to the VOUT and PGND pins of the IC. If, for any reason, the application requires the use of large capacitors which can not be placed close to the IC, using a smaller ceramic capacitor in parallel to the large one is required. This small capacitor should be placed as close as possible to the VOUT and PGND pins of the IC.

To get an estimate of the recommended minimum output capacitance, [Equation 5](#) can be used.

$$C_{OUT} = 5 \times L \times \frac{\mu F}{\mu H} \quad (5)$$

A capacitor with a value in the range of the calculated minimum should be used. This is required to maintain control loop stability. There are no additional requirements regarding minimum ESR. There is also no upper limit for the output capacitance value. Larger capacitors cause lower output voltage ripple as well as lower output voltage drops during load transients.

#### 11.2.2.4.3 Capacitor at VAUX

Between the VAUX pin and GND pin, a capacitor must be connected. This capacitor is used to maintain and filter the control supply voltage, which is chosen from the highest of VIN, VOUT, and L. It is charged during startup and before the main output VOUT is turned on. To ensure stable operation, using at least 0.1 $\mu$ F is recommended. At output voltages below 2.5 V, the capacitance should be in the range of 1  $\mu$ F. Since this capacitor is also used as a snubber capacitor for the main switch, using a X5R or X7R ceramic capacitor with low ESR is important.

### 11.2.3 Application Curves

	FIGURE
Output Voltage TPS61201, Power Save Mode Disabled	<a href="#">Figure 16</a>
Output Voltage TPS61202, Power Save Mode Disabled	<a href="#">Figure 17</a>
Output Voltage TPS61201, Power Save Mode Enabled	<a href="#">Figure 18</a>
Output Voltage TPS61202, Power Save Mode Enabled	<a href="#">Figure 19</a>
TPS61201 Load Transient Response	<a href="#">Figure 20</a>
TPS61202 Load Transient Response	<a href="#">Figure 21</a>
TPS61201 Line Transient Response	<a href="#">Figure 22</a>
TPS61202 Line Transient Response	<a href="#">Figure 23</a>
TPS61201 Startup after Enable	<a href="#">Figure 24</a>
TPS61202 Startup after Enable	<a href="#">Figure 25</a>

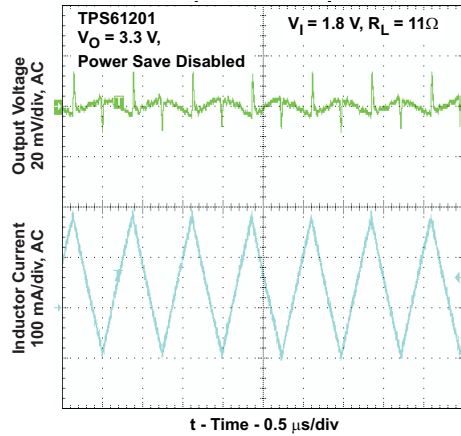


Figure 16. Output Voltage, Power Save Mode Disabled

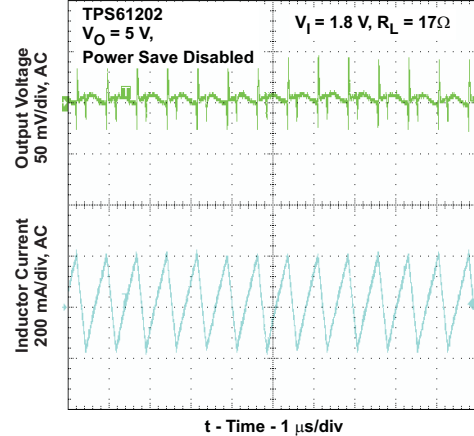


Figure 17. Output Voltage, Power Save Mode Disabled

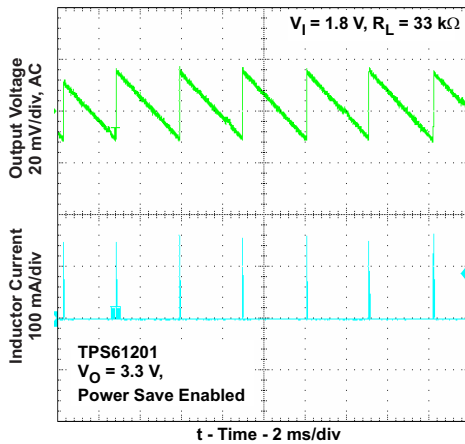


Figure 18. Output Voltage in Power Save Mode

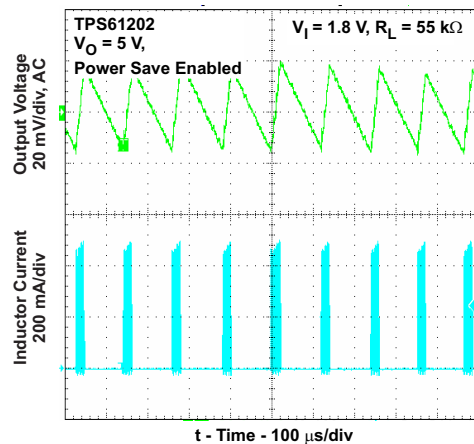


Figure 19. Output Voltage in Power Save Mode

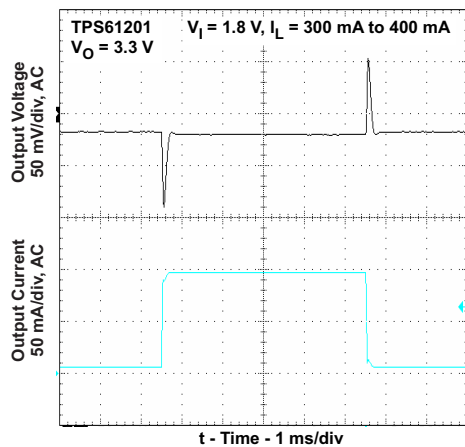


Figure 20. Load Transient Response

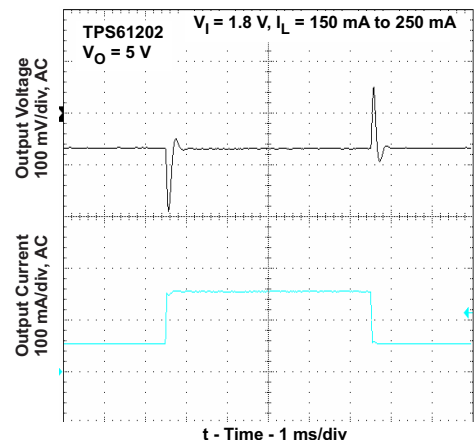


Figure 21. Load Transient Response

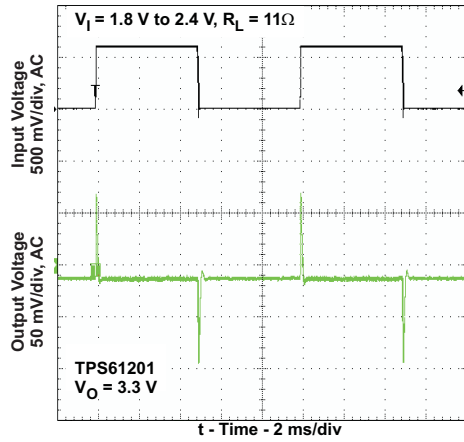


Figure 22. Line Transient Response

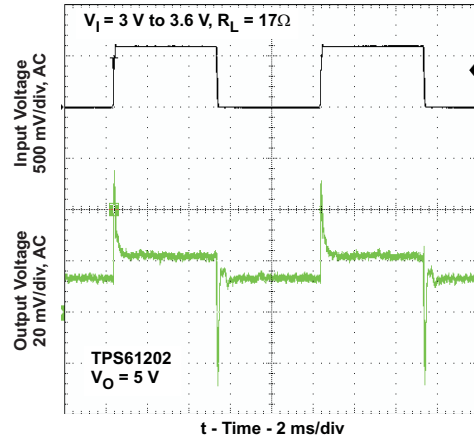


Figure 23. Line Transient Response

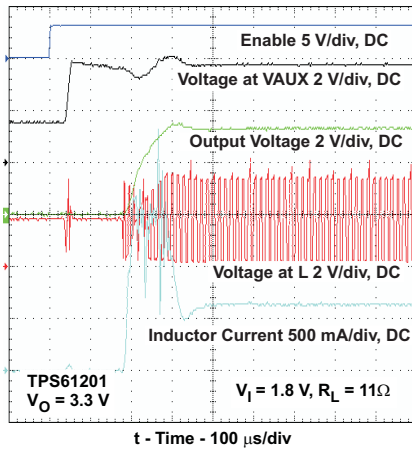


Figure 24. Start-Up After Enable

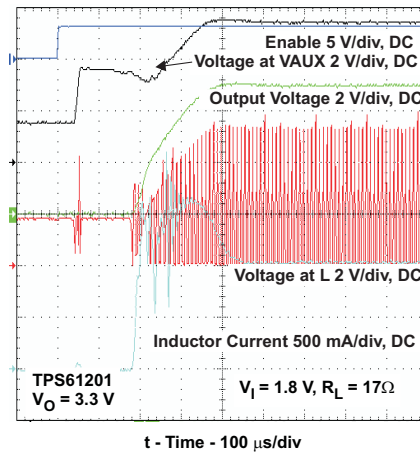


Figure 25. Start-Up After Enable

11.3 System Examples

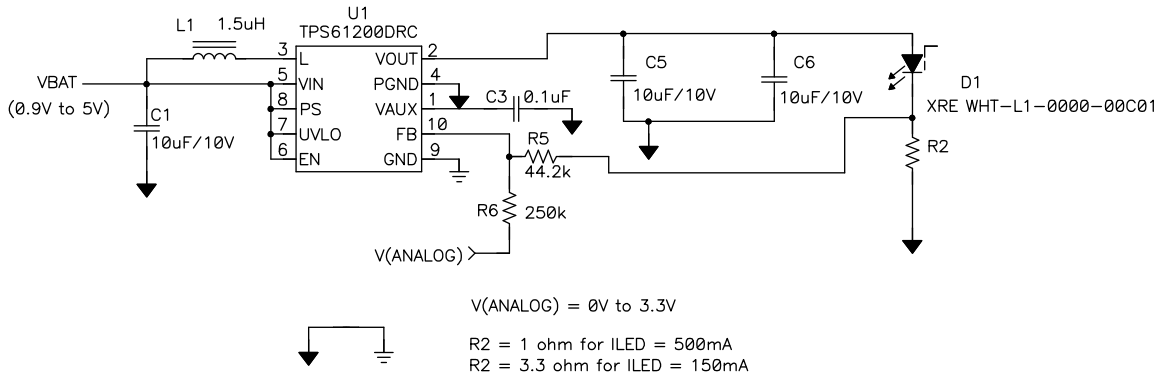


Figure 26. WLED Driver Circuit (See SLVA364)

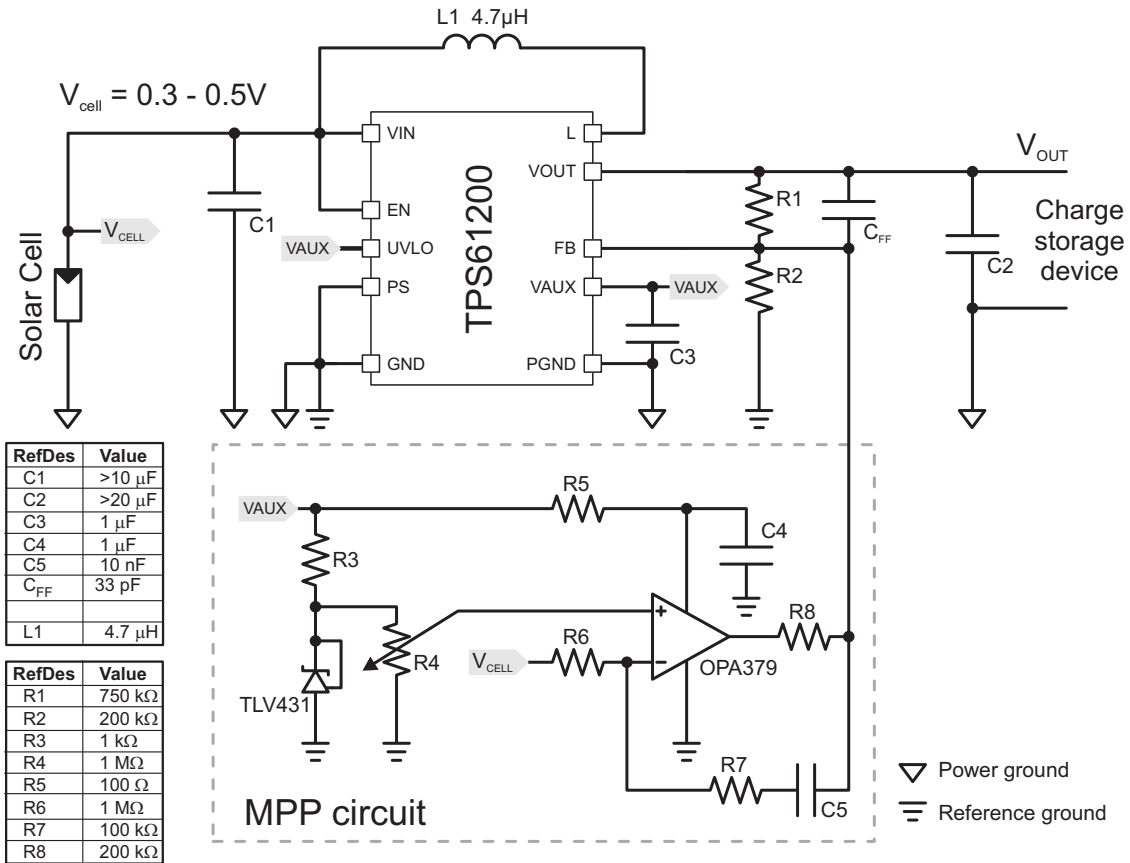
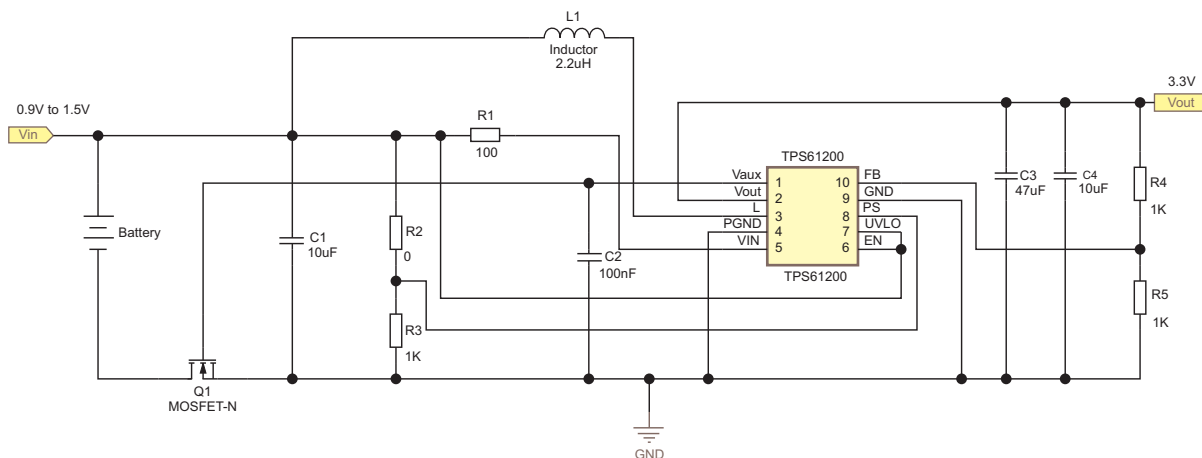


Figure 27. Solar Cell Circuit (See SLVA345)

**System Examples (continued)**

**Figure 28. Reverse Battery Protection Circuit (See [SLVA315](#))**

## 12 Power Supply Recommendations

The power supply of TPS6120x DC-DC converters can be a single up to triple cell Alkaline, NiCd, NiMH battery with a typical terminal voltage between 0.7 V and 5.5 V. The TPS6120x can also be powered by one-cell Li-Ion or Li-Polymer with a typical voltage between 2.5 V and 4.2 V. Additionally, any other voltage source like solar cells or fuel cells with a typical output voltage between 0.3 V and 5.5 V can also be the power supply.

The input supply should be well regulated with the rating of TPS6120x. If the input supply is located more than a few inches from the device, additional bulk capacitance may be required in addition to the ceramic bypass capacitors. An electrolytic or tantalum capacitor with a value of 47  $\mu\text{F}$  is a typical choice.

## 13 Layout

### 13.1 Layout Guidelines

As for all switching power supplies, the layout is an important step in the design, especially at high peak currents and high switching frequencies. If the layout is not carefully done, the regulator could show stability problems as well as EMI problems. Therefore, use wide and short traces for the main current path and for the power ground tracks. The input and output capacitor, as well as the inductor should be placed as close as possible to the IC. Use a common ground node for power ground and a different one for control ground to minimize the effects of ground noise. Connect these ground nodes at any place close to one of the ground pins of the IC.

The feedback divider should be placed as close as possible to the control ground pin of the IC. To lay out the control ground, it is recommended to use short traces as well, separated from the power ground traces. This avoids ground shift problems, which can occur due to superimposition of power ground current and control ground current. See Figure 29 for the recommended layout.

### 13.2 Layout Example

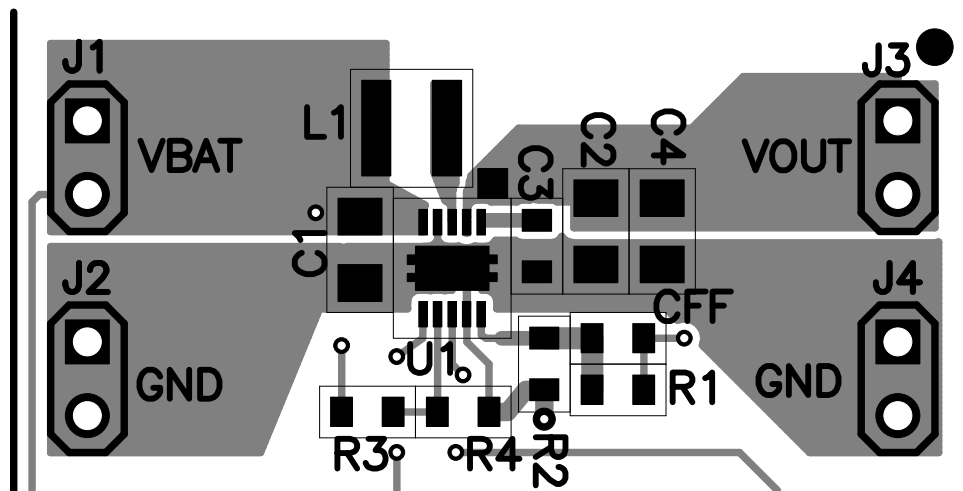


Figure 29. EVM Layout

### 13.3 Thermal Considerations

Implementation of integrated circuits in low-profile and fine-pitch surface-mount packages typically requires special attention to power dissipation. Many system-dependent issues such as thermal coupling, airflow, added heat sinks and convection surfaces, and the presence of other heat-generating components affect the power-dissipation limits of a given component.

Three basic approaches for enhancing thermal performance are listed below.

- Improving the power dissipation capability of the PCB design
- Improving the thermal coupling of the component to the PCB
- Introducing airflow in the system

The maximum recommended junction temperature ( $T_J$ ) of the TPS6120x devices is 125°C. The thermal resistance of the 10-pin SON 3 × 3 package (DRC) is  $R_{\theta JA} = 41.2 \text{ }^\circ\text{C/W}$ , when the exposed thermal pad is soldered. Specified regulator operation is assured to a maximum ambient temperature,  $T_A$ , of 85°C. Therefore, the maximum power dissipation is about 971 mW. More power can be dissipated if the maximum ambient temperature of the application is lower.

$$P_{D(\text{MAX})} = \frac{T_{J(\text{MAX})} - T_A}{R_{\theta JA}} = \frac{125^\circ\text{C} - 85^\circ\text{C}}{41.2^\circ\text{C/W}} = 971\text{mW} \quad (6)$$

## 14 Device and Documentation Support

### 14.1 Related Links

The table below lists quick access links. Categories include technical documents, support and community resources, tools and software, and quick access to sample or buy.

**Table 4. Related Links**

PARTS	PRODUCT FOLDER	SAMPLE & BUY	TECHNICAL DOCUMENTS	TOOLS & SOFTWARE	SUPPORT & COMMUNITY
TPS61200	<a href="#">Click here</a>	<a href="#">Click here</a>	<a href="#">Click here</a>	<a href="#">Click here</a>	<a href="#">Click here</a>
TPS61201	<a href="#">Click here</a>	<a href="#">Click here</a>	<a href="#">Click here</a>	<a href="#">Click here</a>	<a href="#">Click here</a>
TPS61202	<a href="#">Click here</a>	<a href="#">Click here</a>	<a href="#">Click here</a>	<a href="#">Click here</a>	<a href="#">Click here</a>

### 14.2 Trademarks

All trademarks are the property of their respective owners.

### 14.3 Electrostatic Discharge Caution



These devices have limited built-in ESD protection. The leads should be shorted together or the device placed in conductive foam during storage or handling to prevent electrostatic damage to the MOS gates.

### 14.4 Glossary

[SLYZ022](#) — *TI Glossary*.

This glossary lists and explains terms, acronyms, and definitions.

## 15 Mechanical, Packaging, and Orderable Information

The following pages include mechanical, packaging, and orderable information. This information is the most current data available for the designated devices. This data is subject to change without notice and revision of this document. For browser-based versions of this data sheet, refer to the left-hand navigation.

**PACKAGING INFORMATION**

Orderable Device	Status (1)	Package Type	Package Drawing	Pins	Package Qty	Eco Plan (2)	Lead/Ball Finish (6)	MSL Peak Temp (3)	Op Temp (°C)	Device Marking (4/5)	Samples
TPS61200DRCR	ACTIVE	VSON	DRC	10	3000	Green (RoHS & no Sb/Br)	CU NIPDAU	Level-2-260C-1 YEAR	-40 to 85	BRR	<a href="#">Samples</a>
TPS61200DRCRG4	ACTIVE	VSON	DRC	10	3000	Green (RoHS & no Sb/Br)	CU NIPDAU	Level-2-260C-1 YEAR	-40 to 85	BRR	<a href="#">Samples</a>
TPS61200DRCT	ACTIVE	VSON	DRC	10	250	Green (RoHS & no Sb/Br)	CU NIPDAU	Level-2-260C-1 YEAR	-40 to 85	BRR	<a href="#">Samples</a>
TPS61201DRCR	ACTIVE	VSON	DRC	10	3000	Green (RoHS & no Sb/Br)	CU NIPDAU	Level-2-260C-1 YEAR	-40 to 85	BRS	<a href="#">Samples</a>
TPS61201DRCT	ACTIVE	VSON	DRC	10	250	Green (RoHS & no Sb/Br)	CU NIPDAU	Level-2-260C-1 YEAR	-40 to 85	BRS	<a href="#">Samples</a>
TPS61202DRCR	ACTIVE	VSON	DRC	10	3000	Green (RoHS & no Sb/Br)	CU NIPDAU	Level-2-260C-1 YEAR	-40 to 85	BRT	<a href="#">Samples</a>
TPS61202DRCT	ACTIVE	VSON	DRC	10	250	Green (RoHS & no Sb/Br)	CU NIPDAU	Level-2-260C-1 YEAR	-40 to 85	BRT	<a href="#">Samples</a>
TPS61202DSCR	ACTIVE	WSON	DSC	10	3000	Green (RoHS & no Sb/Br)	CU NIPDAU	Level-2-260C-1 YEAR	-40 to 85	CER	<a href="#">Samples</a>
TPS61202DSCT	ACTIVE	WSON	DSC	10	250	Green (RoHS & no Sb/Br)	CU NIPDAU	Level-2-260C-1 YEAR	-40 to 85	CER	<a href="#">Samples</a>
TPS61202DSCTG4	ACTIVE	WSON	DSC	10	250	Green (RoHS & no Sb/Br)	CU NIPDAU	Level-2-260C-1 YEAR	-40 to 85	CER	<a href="#">Samples</a>

(1) The marketing status values are defined as follows:

**ACTIVE:** Product device recommended for new designs.

**LIFEBUY:** TI has announced that the device will be discontinued, and a lifetime-buy period is in effect.

**NRND:** Not recommended for new designs. Device is in production to support existing customers, but TI does not recommend using this part in a new design.

**PREVIEW:** Device has been announced but is not in production. Samples may or may not be available.

**OBSOLETE:** TI has discontinued the production of the device.

(2) **RoHS:** TI defines "RoHS" to mean semiconductor products that are compliant with the current EU RoHS requirements for all 10 RoHS substances, including the requirement that RoHS substance do not exceed 0.1% by weight in homogeneous materials. Where designed to be soldered at high temperatures, "RoHS" products are suitable for use in specified lead-free processes. TI may reference these types of products as "Pb-Free".

**RoHS Exempt:** TI defines "RoHS Exempt" to mean products that contain lead but are compliant with EU RoHS pursuant to a specific EU RoHS exemption.

**Green:** TI defines "Green" to mean the content of Chlorine (Cl) and Bromine (Br) based flame retardants meet JS709B low halogen requirements of <=1000ppm threshold. Antimony trioxide based flame retardants must also meet the <=1000ppm threshold requirement.

(3) MSL, Peak Temp. - The Moisture Sensitivity Level rating according to the JEDEC industry standard classifications, and peak solder temperature.

(4) There may be additional marking, which relates to the logo, the lot trace code information, or the environmental category on the device.

(5) Multiple Device Markings will be inside parentheses. Only one Device Marking contained in parentheses and separated by a "~" will appear on a device. If a line is indented then it is a continuation of the previous line and the two combined represent the entire Device Marking for that device.

(6) Lead/Ball Finish - Orderable Devices may have multiple material finish options. Finish options are separated by a vertical ruled line. Lead/Ball Finish values may wrap to two lines if the finish value exceeds the maximum column width.

**Important Information and Disclaimer:**The information provided on this page represents TI's knowledge and belief as of the date that it is provided. TI bases its knowledge and belief on information provided by third parties, and makes no representation or warranty as to the accuracy of such information. Efforts are underway to better integrate information from third parties. TI has taken and continues to take reasonable steps to provide representative and accurate information but may not have conducted destructive testing or chemical analysis on incoming materials and chemicals. TI and TI suppliers consider certain information to be proprietary, and thus CAS numbers and other limited information may not be available for release.

In no event shall TI's liability arising out of such information exceed the total purchase price of the TI part(s) at issue in this document sold by TI to Customer on an annual basis.

## TAPE AND REEL INFORMATION



### QUADRANT ASSIGNMENTS FOR PIN 1 ORIENTATION IN TAPE



\*All dimensions are nominal

Device	Package Type	Package Drawing	Pins	SPQ	Reel Diameter (mm)	Reel Width W1 (mm)	A0 (mm)	B0 (mm)	K0 (mm)	P1 (mm)	W (mm)	Pin1 Quadrant
TPS61200DRCR	VSON	DRC	10	3000	330.0	12.4	3.3	3.3	1.1	8.0	12.0	Q2
TPS61200DRCR	VSON	DRC	10	3000	330.0	12.4	3.3	3.3	1.1	8.0	12.0	Q2
TPS61200DRCT	VSON	DRC	10	250	180.0	12.4	3.3	3.3	1.1	8.0	12.0	Q2
TPS61200DRCT	VSON	DRC	10	250	180.0	12.4	3.3	3.3	1.1	8.0	12.0	Q2
TPS61201DRCR	VSON	DRC	10	3000	330.0	12.4	3.3	3.3	1.1	8.0	12.0	Q2
TPS61201DRCR	VSON	DRC	10	3000	330.0	12.4	3.3	3.3	1.1	8.0	12.0	Q2
TPS61201DRCT	VSON	DRC	10	250	180.0	12.4	3.3	3.3	1.1	8.0	12.0	Q2
TPS61202DRCR	VSON	DRC	10	3000	330.0	12.4	3.3	3.3	1.1	8.0	12.0	Q2
TPS61202DRCR	VSON	DRC	10	3000	330.0	12.4	3.3	3.3	1.1	8.0	12.0	Q2
TPS61202DRCT	VSON	DRC	10	250	180.0	12.4	3.3	3.3	1.1	8.0	12.0	Q2
TPS61202DSCR	WSON	DSC	10	3000	330.0	12.4	3.3	3.3	1.1	8.0	12.0	Q2
TPS61202DSCT	WSON	DSC	10	250	180.0	12.4	3.3	3.3	1.1	8.0	12.0	Q2

**TAPE AND REEL BOX DIMENSIONS**


\*All dimensions are nominal

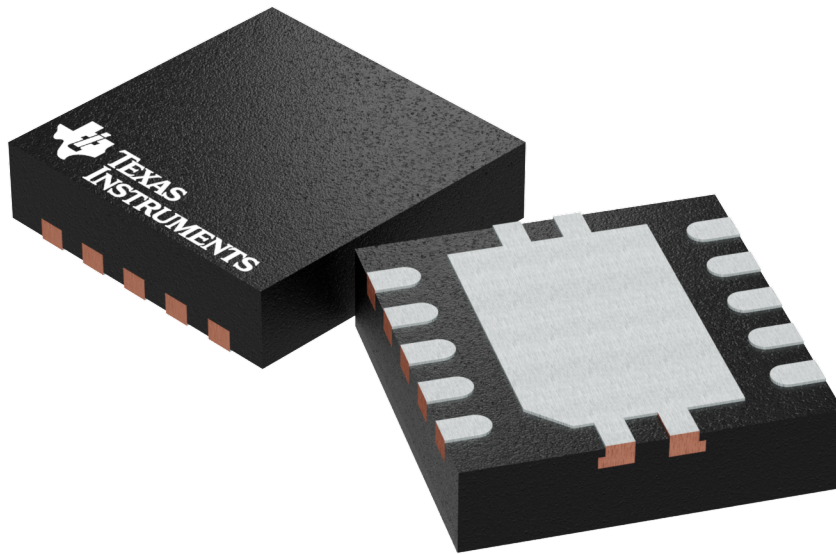
Device	Package Type	Package Drawing	Pins	SPQ	Length (mm)	Width (mm)	Height (mm)
TPS61200DRCR	VSON	DRC	10	3000	367.0	367.0	35.0
TPS61200DRCR	VSON	DRC	10	3000	367.0	367.0	35.0
TPS61200DRCT	VSON	DRC	10	250	210.0	185.0	35.0
TPS61200DRCT	VSON	DRC	10	250	210.0	185.0	35.0
TPS61201DRCR	VSON	DRC	10	3000	367.0	367.0	35.0
TPS61201DRCR	VSON	DRC	10	3000	367.0	367.0	35.0
TPS61201DRCT	VSON	DRC	10	250	210.0	185.0	35.0
TPS61202DRCR	VSON	DRC	10	3000	367.0	367.0	35.0
TPS61202DRCR	VSON	DRC	10	3000	367.0	367.0	35.0
TPS61202DRCT	VSON	DRC	10	250	210.0	185.0	35.0
TPS61202DSCR	WSON	DSC	10	3000	367.0	367.0	35.0
TPS61202DSCT	WSON	DSC	10	250	210.0	185.0	35.0

## GENERIC PACKAGE VIEW

DRC 10

VSON - 1 mm max height

PLASTIC SMALL OUTLINE - NO LEAD



Images above are just a representation of the package family, actual package may vary.  
Refer to the product data sheet for package details.

4204102-3/M

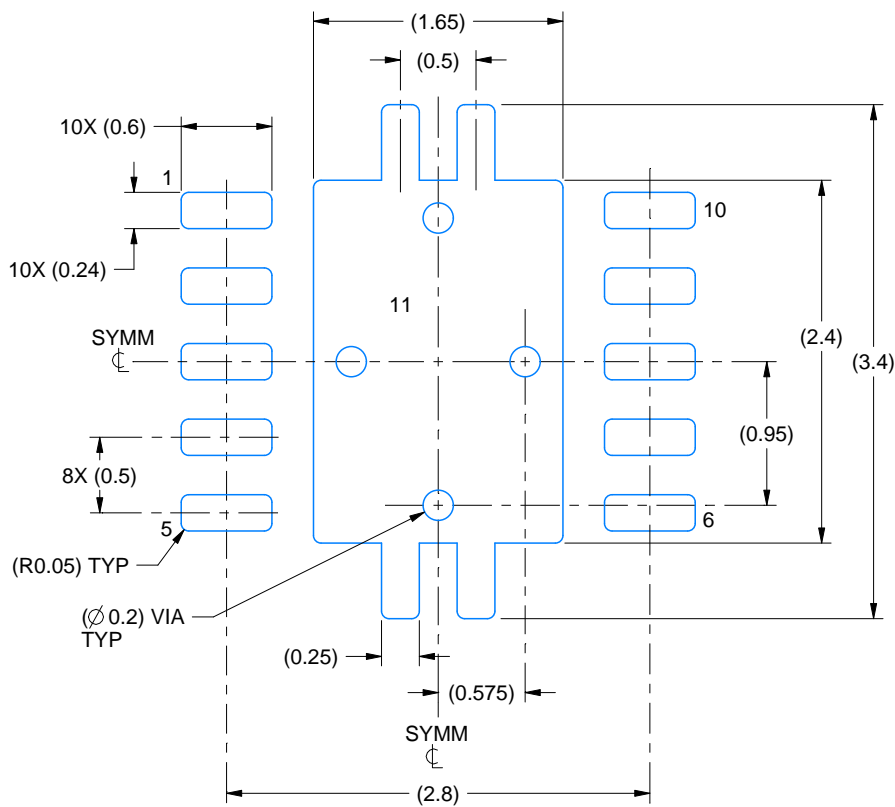


# EXAMPLE BOARD LAYOUT

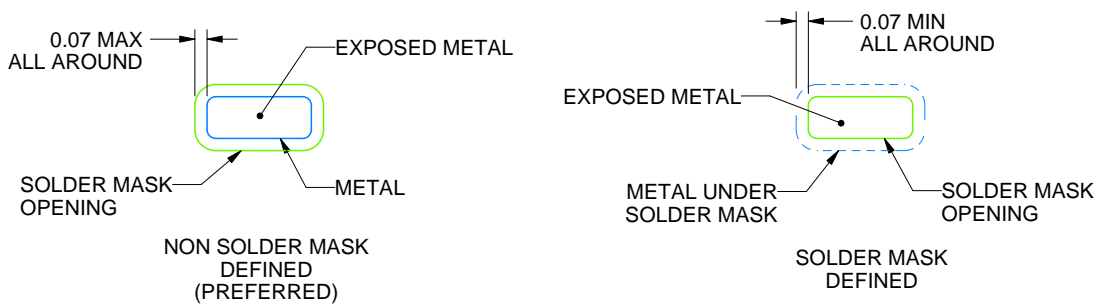
DRC0010J

VSON - 1 mm max height

PLASTIC SMALL OUTLINE - NO LEAD



LAND PATTERN EXAMPLE  
EXPOSED METAL SHOWN  
SCALE:20X



SOLDER MASK DETAILS

4218878/B 07/2018

NOTES: (continued)

4. This package is designed to be soldered to a thermal pad on the board. For more information, see Texas Instruments literature number SLUA271 ([www.ti.com/lit/sluea271](http://www.ti.com/lit/sluea271)).
5. Vias are optional depending on application, refer to device data sheet. If any vias are implemented, refer to their locations shown on this view. It is recommended that vias under paste be filled, plugged or tented.

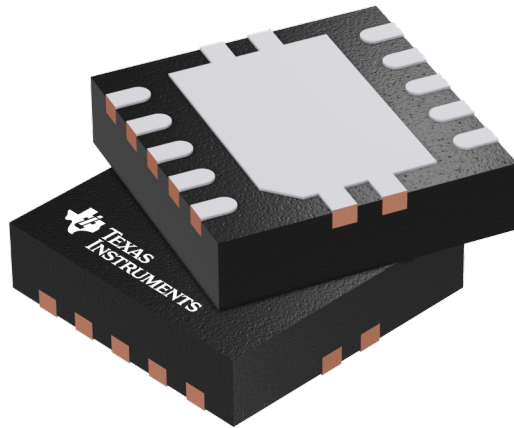


## GENERIC PACKAGE VIEW

DSC 10

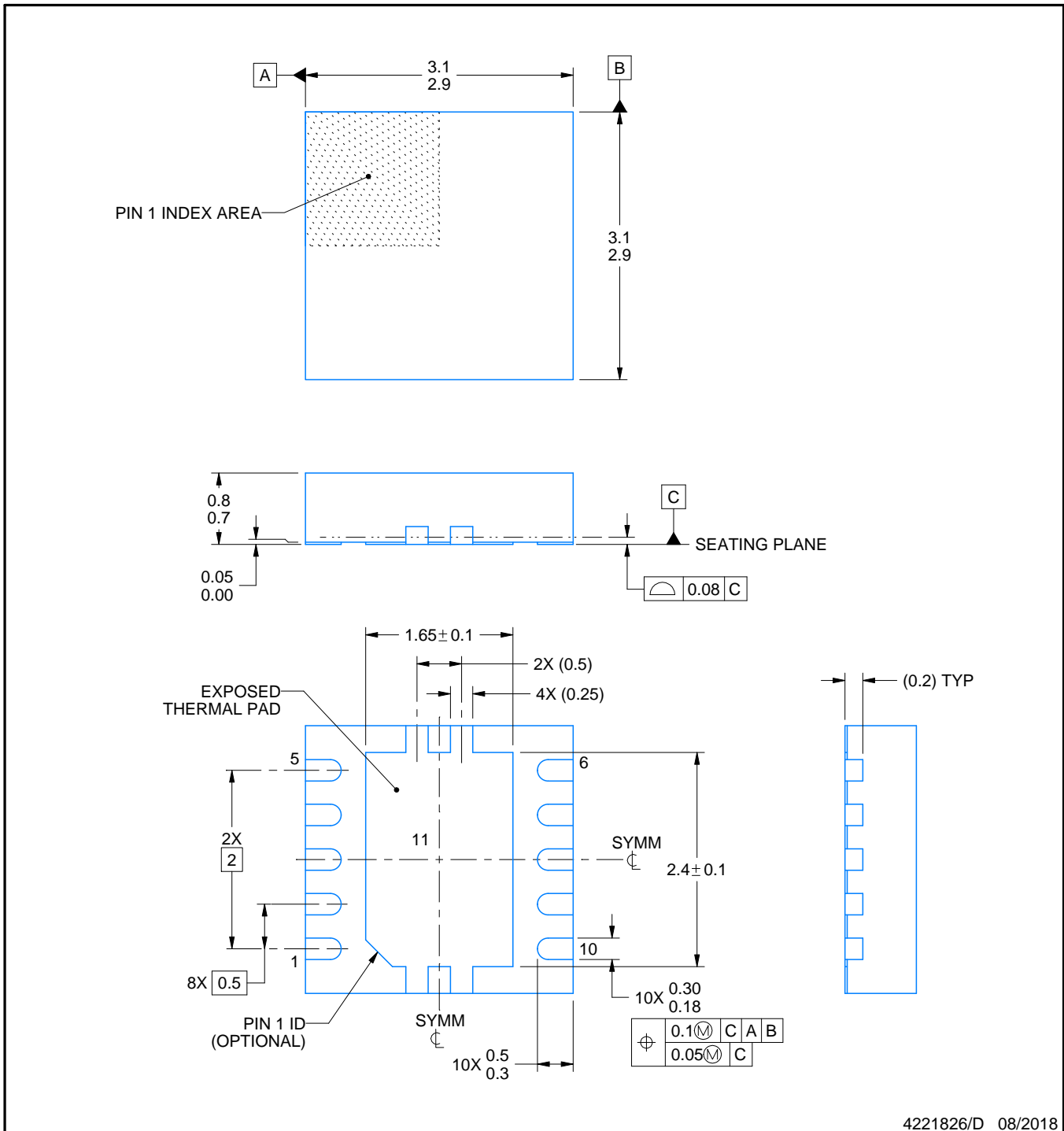
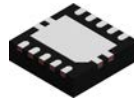
WSON - 0.8 mm max height

PLASTIC SMALL OUTLINE - NO LEAD



Images above are just a representation of the package family, actual package may vary.  
Refer to the product data sheet for package details.

4207383/F



4221826/D 08/2018

NOTES:

1. All linear dimensions are in millimeters. Any dimensions in parenthesis are for reference only. Dimensioning and tolerancing per ASME Y14.5M.
2. This drawing is subject to change without notice.
3. The package thermal pad must be soldered to the printed circuit board for optimal thermal and mechanical performance.

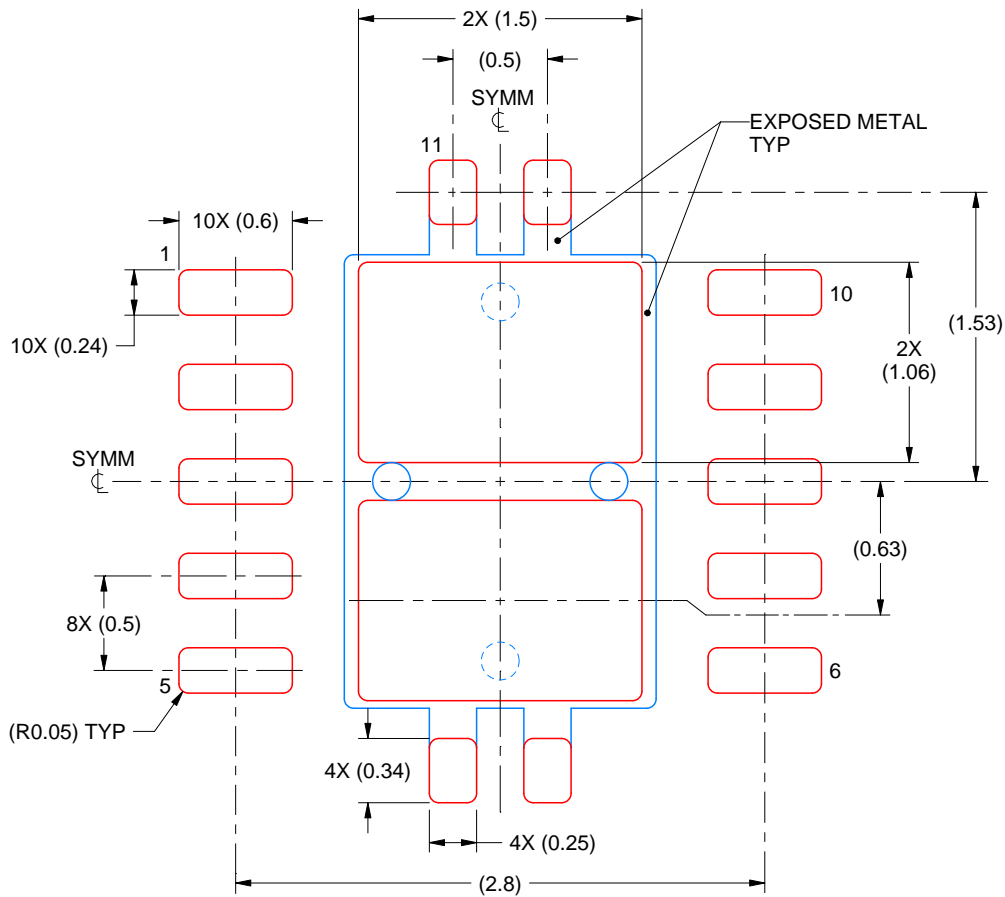


# EXAMPLE STENCIL DESIGN

DSC0010J

WSON - 0.8 mm max height

PLASTIC SMALL OUTLINE - NO LEAD



SOLDER PASTE EXAMPLE  
BASED ON 0.125 mm THICK STENCIL

EXPOSED PAD 11:  
80% PRINTED SOLDER COVERAGE BY AREA  
SCALE:25X

4221826/D 08/2018

NOTES: (continued)

6. Laser cutting apertures with trapezoidal walls and rounded corners may offer better paste release. IPC-7525 may have alternate design recommendations.

## IMPORTANT NOTICE

Texas Instruments Incorporated (TI) reserves the right to make corrections, enhancements, improvements and other changes to its semiconductor products and services per JESD46, latest issue, and to discontinue any product or service per JESD48, latest issue. Buyers should obtain the latest relevant information before placing orders and should verify that such information is current and complete.

TI's published terms of sale for semiconductor products (<http://www.ti.com/sc/docs/stdterms.htm>) apply to the sale of packaged integrated circuit products that TI has qualified and released to market. Additional terms may apply to the use or sale of other types of TI products and services.

Reproduction of significant portions of TI information in TI data sheets is permissible only if reproduction is without alteration and is accompanied by all associated warranties, conditions, limitations, and notices. TI is not responsible or liable for such reproduced documentation. Information of third parties may be subject to additional restrictions. Resale of TI products or services with statements different from or beyond the parameters stated by TI for that product or service voids all express and any implied warranties for the associated TI product or service and is an unfair and deceptive business practice. TI is not responsible or liable for any such statements.

Buyers and others who are developing systems that incorporate TI products (collectively, "Designers") understand and agree that Designers remain responsible for using their independent analysis, evaluation and judgment in designing their applications and that Designers have full and exclusive responsibility to assure the safety of Designers' applications and compliance of their applications (and of all TI products used in or for Designers' applications) with all applicable regulations, laws and other applicable requirements. Designer represents that, with respect to their applications, Designer has all the necessary expertise to create and implement safeguards that (1) anticipate dangerous consequences of failures, (2) monitor failures and their consequences, and (3) lessen the likelihood of failures that might cause harm and take appropriate actions. Designer agrees that prior to using or distributing any applications that include TI products, Designer will thoroughly test such applications and the functionality of such TI products as used in such applications.

TI's provision of technical, application or other design advice, quality characterization, reliability data or other services or information, including, but not limited to, reference designs and materials relating to evaluation modules, (collectively, "TI Resources") are intended to assist designers who are developing applications that incorporate TI products; by downloading, accessing or using TI Resources in any way, Designer (individually or, if Designer is acting on behalf of a company, Designer's company) agrees to use any particular TI Resource solely for this purpose and subject to the terms of this Notice.

TI's provision of TI Resources does not expand or otherwise alter TI's applicable published warranties or warranty disclaimers for TI products, and no additional obligations or liabilities arise from TI providing such TI Resources. TI reserves the right to make corrections, enhancements, improvements and other changes to its TI Resources. TI has not conducted any testing other than that specifically described in the published documentation for a particular TI Resource.

Designer is authorized to use, copy and modify any individual TI Resource only in connection with the development of applications that include the TI product(s) identified in such TI Resource. NO OTHER LICENSE, EXPRESS OR IMPLIED, BY ESTOPPEL OR OTHERWISE TO ANY OTHER TI INTELLECTUAL PROPERTY RIGHT, AND NO LICENSE TO ANY TECHNOLOGY OR INTELLECTUAL PROPERTY RIGHT OF TI OR ANY THIRD PARTY IS GRANTED HEREIN, including but not limited to any patent right, copyright, mask work right, or other intellectual property right relating to any combination, machine, or process in which TI products or services are used. Information regarding or referencing third-party products or services does not constitute a license to use such products or services, or a warranty or endorsement thereof. Use of TI Resources may require a license from a third party under the patents or other intellectual property of the third party, or a license from TI under the patents or other intellectual property of TI.

TI RESOURCES ARE PROVIDED "AS IS" AND WITH ALL FAULTS. TI DISCLAIMS ALL OTHER WARRANTIES OR REPRESENTATIONS, EXPRESS OR IMPLIED, REGARDING RESOURCES OR USE THEREOF, INCLUDING BUT NOT LIMITED TO ACCURACY OR COMPLETENESS, TITLE, ANY EPIDEMIC FAILURE WARRANTY AND ANY IMPLIED WARRANTIES OF MERCHANTABILITY, FITNESS FOR A PARTICULAR PURPOSE, AND NON-INFRINGEMENT OF ANY THIRD PARTY INTELLECTUAL PROPERTY RIGHTS. TI SHALL NOT BE LIABLE FOR AND SHALL NOT DEFEND OR INDEMNIFY DESIGNER AGAINST ANY CLAIM, INCLUDING BUT NOT LIMITED TO ANY INFRINGEMENT CLAIM THAT RELATES TO OR IS BASED ON ANY COMBINATION OF PRODUCTS EVEN IF DESCRIBED IN TI RESOURCES OR OTHERWISE. IN NO EVENT SHALL TI BE LIABLE FOR ANY ACTUAL, DIRECT, SPECIAL, COLLATERAL, INDIRECT, PUNITIVE, INCIDENTAL, CONSEQUENTIAL OR EXEMPLARY DAMAGES IN CONNECTION WITH OR ARISING OUT OF TI RESOURCES OR USE THEREOF, AND REGARDLESS OF WHETHER TI HAS BEEN ADVISED OF THE POSSIBILITY OF SUCH DAMAGES.

Unless TI has explicitly designated an individual product as meeting the requirements of a particular industry standard (e.g., ISO/TS 16949 and ISO 26262), TI is not responsible for any failure to meet such industry standard requirements.

Where TI specifically promotes products as facilitating functional safety or as compliant with industry functional safety standards, such products are intended to help enable customers to design and create their own applications that meet applicable functional safety standards and requirements. Using products in an application does not by itself establish any safety features in the application. Designers must ensure compliance with safety-related requirements and standards applicable to their applications. Designer may not use any TI products in life-critical medical equipment unless authorized officers of the parties have executed a special contract specifically governing such use. Life-critical medical equipment is medical equipment where failure of such equipment would cause serious bodily injury or death (e.g., life support, pacemakers, defibrillators, heart pumps, neurostimulators, and implantables). Such equipment includes, without limitation, all medical devices identified by the U.S. Food and Drug Administration as Class III devices and equivalent classifications outside the U.S.

TI may expressly designate certain products as completing a particular qualification (e.g., Q100, Military Grade, or Enhanced Product). Designers agree that it has the necessary expertise to select the product with the appropriate qualification designation for their applications and that proper product selection is at Designers' own risk. Designers are solely responsible for compliance with all legal and regulatory requirements in connection with such selection.

Designer will fully indemnify TI and its representatives against any damages, costs, losses, and/or liabilities arising out of Designer's non-compliance with the terms and provisions of this Notice.

## Looking for pricing, stock, or lifecycle information?

Click below to explore more details on WIN SOURCE:

 [View TPS61201DRCTG4 on WIN SOURCE](#)

 [Texas Instruments](#) Information

## Optimize Your Supply Chain with WIN SOURCE Solutions

-  Global Sourcing Solution
-  Obsolete Management
-  Cost Control Management
-  Shortage Management
-  Alternative Solution
-  Excess Inventory Management