



**THE DATASHEET OF  
AD7398BRUZ-REEL7**



### FEATURES

- AD7398—12-bit resolution
- AD7399—10-bit resolution
- Programmable power shutdown
- Single (3 V to 5 V) or dual ( $\pm 5$  V) supply operation
- 3-wire, serial SPI<sup>®</sup>-compatible interface
- Internal power-on reset
- Double buffered registers for simultaneous multichannel DAC update
- Four separate rail-to-rail reference inputs
- Thin profile, TSSOP-16 package available
- Low tempco: 1.5 ppm/°C
- Qualified for automotive applications

### APPLICATIONS

- Automotive output voltage span
- Portable communications
- Digitally controlled calibration
- PC peripherals

### GENERAL DESCRIPTION

The AD7398/AD7399 family of quad, 12-bit/10-bit, voltage output digital-to-analog converters (DACs) is designed to operate from a single 3 V to 5 V supply or a dual  $\pm 5$  V supply. Built with the Analog Devices, Inc. robust CBCMOS process, these monolithic DACs offer the user low cost with ease-of-use in single or dual-supply systems.

The applied external reference,  $V_{REF}$ , determines the full-scale output voltage. Valid  $V_{REF}$  values include  $V_{SS} < V_{REF} < V_{DD}$  that result in a wide selection of full-scale outputs. For multiplying applications, ac inputs can be as large as  $\pm 5 V_P$ .

A doubled-buffered serial-data interface offers high speed, 3-wire, SPI- and microcontroller-compatible inputs using serial data-in (SDI), clock (CLK), and a chip-select ( $\overline{CS}$ ). A common level-sensitive, load-DAC strobe ( $\overline{LDAC}$ ) input allows simultaneous update of all DAC outputs from previously loaded input registers. Additionally, an internal power-on reset forces the output voltage to zero at system turn on. An external asynchronous reset ( $\overline{RS}$ ) also forces all registers to the zero code state. A programmable power-shutdown feature reduces power dissipation on unused DACs.

#### Rev. C

Information furnished by Analog Devices is believed to be accurate and reliable. However, no responsibility is assumed by Analog Devices for its use, nor for any infringements of patents or other rights of third parties that may result from its use. Specifications subject to change without notice. No license is granted by implication or otherwise under any patent or patent rights of Analog Devices. Trademarks and registered trademarks are the property of their respective owners.

### FUNCTIONAL BLOCK DIAGRAM

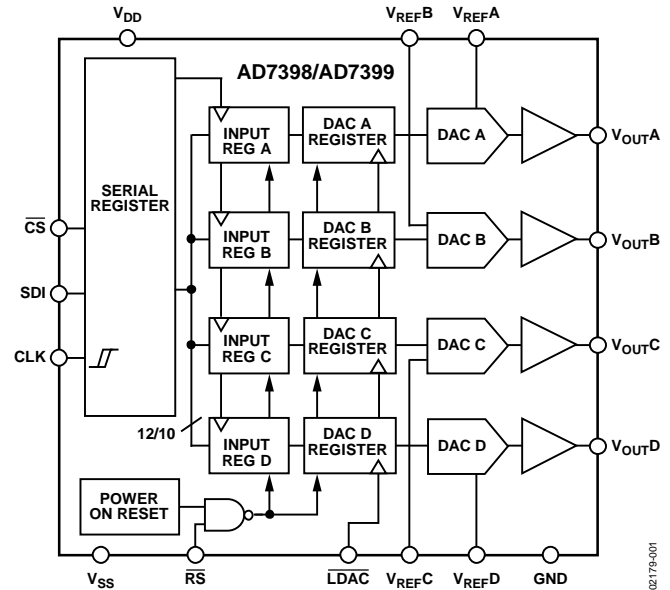


Figure 1.

Both parts are offered in the same pinout, enabling users to select the appropriate resolution for their application without redesigning the layout. For 8-bit resolution applications, see the pin-compatible AD7304 product.

The AD7398/AD7399 are specified over the extended industrial ( $-40^{\circ}\text{C}$  to  $+125^{\circ}\text{C}$ ) temperature range. Parts are available in 16-lead, wide body SOIC and ultracompact, thin, 1.1 mm TSSOP packages.

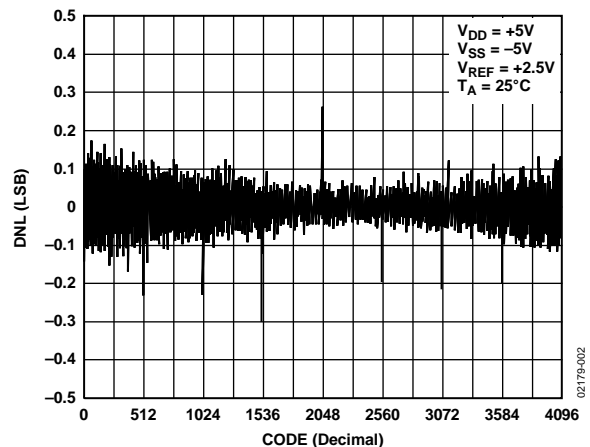


Figure 2. AD7398 DNL vs. Code ( $T_A = 25^{\circ}\text{C}$ )

## TABLE OF CONTENTS

Features .....	1	Typical Performance Characteristics .....	10
Applications.....	1	Theory of Operation .....	14
Functional Block Diagram .....	1	DAC Operation .....	14
General Description .....	1	Operation with $V_{REF}$ Equal to the Supply .....	15
Revision History .....	2	Power Supply Sequencing .....	15
Specifications.....	3	Programmable Power Shutdown.....	15
AD7398 12-Bit Voltage Output DAC .....	3	Worst Case Accuracy.....	15
AD7399 10-Bit Voltage Output DAC .....	4	Serial Data Interface.....	15
Timing Diagrams.....	5	Power-On Reset .....	16
Absolute Maximum Ratings.....	6	Microprocessor Interfacing.....	16
ESD Caution.....	6	Applications Information .....	18
Pin Configuration And Function Descriptions.....	7	Staircase Windows Comparator.....	18
Input Registers .....	8	Programmable DAC Reference Voltage .....	19
AD7398 Serial Input Register Data Format .....	8	Outline Dimensions .....	20
AD7399 Serial Input Register Data Format .....	8	Ordering Guide .....	21
Terminology .....	9		

## REVISION HISTORY

### 1/11—Rev. B to Rev. C

Added Automotive Model and Information..... Throughout

### 12/09—Rev. A to Rev. B

Changes to Ordering Guide ..... 21 |

### 6/06—Rev. 0 to Rev. A

Updated Format..... Universal

Changes to Table 1..... 3

Changes to Table 2..... 4

Changes to Ordering Guide ..... 21 |

### 11/00—Revision 0: Initial Version

# SPECIFICATIONS

## AD7398 12-BIT VOLTAGE OUTPUT DAC

$V_{DD} = 5\text{ V}$ ,  $V_{SS} = 0\text{ V}$ ; or  $V_{DD} = +5\text{ V}$ ,  $V_{SS} = -5\text{ V}$ ,  $V_{REF} = +2.5\text{ V}$ ,  $-40^{\circ}\text{C} < T_A < +125^{\circ}\text{C}$ , unless otherwise noted.

Table 1.

Parameter	Symbol	Condition	3 V to 5 V $\pm$ 10%	$\pm$ 5 V $\pm$ 10%	Unit
STATIC PERFORMANCE					
Resolution <sup>1</sup>	N		12	12	Bits
Relative Accuracy <sup>2</sup>	INL		$\pm 1.5$	$\pm 1.5$	LSB max
Differential Nonlinearity <sup>2</sup>	DNL	Monotonic	$\pm 1$	$\pm 1$	LSB max
Zero-Scale Error	$V_{ZSE}$	Data = 000 <sub>H</sub>	7	$\pm 2.5$	mV max
Full-Scale Voltage Error	$V_{FSE}$	Data = FFF <sub>H</sub>	$\pm 2.5$	$\pm 2.5$	mV max
Full-Scale Tempco <sup>3</sup>	$TCV_{FS}$		1.5	1.5	ppm/ $^{\circ}\text{C}$ typ
REFERENCE INPUT					
$V_{REFIN}$ Range <sup>4</sup>	$V_{REF}$		0/ $V_{DD}$	$V_{SS}/V_{DD}$	V min/max
Input Resistance <sup>5</sup>	$R_{REF}$	Data = 555 <sub>H</sub> , worst case	35	35	k $\Omega$ typ <sup>6</sup>
Input Capacitance <sup>3</sup>	$C_{REF}$		5	5	pF typ
ANALOG OUTPUT					
Output Voltage Range	$V_{OUT}$		0 to $V_{REF}$	0 to $V_{REF}$	V
Output Current	$I_{OUT}$	Data = 800 <sub>H</sub> , $\Delta V_{OUT} = 4$ LSBs	$\pm 5$	$\pm 5$	mA typ
Capacitive Load <sup>3</sup>	$C_L$	No oscillation	200	400	pF max
LOGIC INPUTS					
Logic Input Low Voltage	$V_{IL}$	$V_{DD} = 3\text{ V}$	0.5		V max
		$V_{DD} = 5\text{ V}$	0.8	0.8	V max
Logic Input High Voltage	$V_{IH}$	CLK only	80% $V_{DD}$	4.0	V min
			2.1 to 2.4	2.4	V min
Input Leakage Current	$I_{IL}$		1	1	$\mu\text{A}$ max
Input Capacitance <sup>3</sup>	$C_{IL}$		10	10	pF max
INTERFACE TIMING <sup>3,7</sup>					
Clock Frequency	$f_{CLK}$		11	16.6	MHz max
Clock Width High	$t_{CH}$		45	30	ns min
Clock Width Low	$t_{CL}$		45	30	ns min
$\overline{CS}$ to Clock Setup	$t_{CSS}$		10	5	ns min
Clock to $\overline{CS}$ Hold	$t_{CSH}$		20	15	ns min
Load DAC Pulse Width	$t_{LDAC}$		45	30	ns min
Data Setup	$t_{DS}$		15	10	ns min
Data Hold	$t_{DH}$		10	5	ns min
Load Setup to $\overline{CS}$	$t_{LDS}$		0	0	ns min
Load Hold to $\overline{CS}$	$t_{LDH}$		20	15	ns min
AC CHARACTERISTICS					
Output Slew Rate	SR	Data = 000 <sub>H</sub> to FFF <sub>H</sub> to 000 <sub>H</sub>	2	2	V/ $\mu\text{s}$ typ
Settling Time <sup>8</sup>	$t_s$	To $\pm 0.1\%$ of full scale	6	6	$\mu\text{s}$ typ
Shutdown Recovery	$t_{SDR}$		6	6	$\mu\text{s}$ typ
DAC Glitch	Q	Code 7FF <sub>H</sub> to 800 <sub>H</sub> to 7FF <sub>H</sub>	150	150	nVs typ
Digital Feedthrough	$Q_{DF}$		15	15	nVs typ
Feedthrough	$V_{OUT}/V_{REF}$	$V_{REF} = 1.5 V_{DC}$ 1 V p-p, data = 000 <sub>H</sub> , $f = 100\text{ kHz}$	-63	-63	dB typ

# AD7398/AD7399

Parameter	Symbol	Condition	3 V to 5 V ± 10%	±5 V ± 10%	Unit
SUPPLY CHARACTERISTICS					
Shutdown Supply Current	I <sub>DD_SD</sub>	No load	30/60	30/60	μA typ/max
Positive Supply Current	I <sub>DD</sub>	V <sub>IL</sub> = 0 V, no load, -40°C < T <sub>A</sub> < +125°C	1.5/2.8	1.6/3	mA typ/max
	I <sub>DD</sub>	V <sub>IL</sub> = 0 V, no load, -40°C < T <sub>A</sub> < +85°C	1.5/2.6	1.6/2.8	mA typ/max
Negative Supply Current	I <sub>SS</sub>	V <sub>IL</sub> = 0 V, no load	1.5/2.5	1.6/2.7	mA typ/max
Power Dissipation	P <sub>DISS</sub>	V <sub>IL</sub> = 0 V, no load	5	16	mW typ
Power Supply Sensitivity	PSS	ΔV <sub>DD</sub> = ±5%	0.006	0.006	%% max

<sup>1</sup> One LSB = V<sub>REF</sub>/4096 V for the 12-bit AD7398.

<sup>2</sup> The first eight codes (000<sub>H</sub> to 007<sub>H</sub>) are excluded from the linearity error measurement in single-supply operation.

<sup>3</sup> These parameters are guaranteed by design and not subject to production testing.

<sup>4</sup> When V<sub>REF</sub> is connected to either the V<sub>DD</sub> or the V<sub>SS</sub> power supply, the corresponding V<sub>OUT</sub> voltage programs between ground and the supply voltage minus the offset voltage of the output buffer, which is the same as the V<sub>ZSE</sub> error specification. See additional information in the Theory of Operation section.

<sup>5</sup> Input resistance is code dependent.

<sup>6</sup> Typical values represent average readings measured at 25°C.

<sup>7</sup> All input control signals are specified with t<sub>tr</sub> = t<sub>f</sub> = 2 ns (10% to 90% of 3 V) and timed from a voltage level of 1.5 V.

<sup>8</sup> The settling time specification does not apply for negative going transitions within the last 3 LSBs of ground.

## AD7399 10-BIT VOLTAGE OUTPUT DAC

V<sub>DD</sub> = 5 V, V<sub>SS</sub> = 0 V; or V<sub>DD</sub> = +5 V, V<sub>SS</sub> = -5 V; V<sub>REF</sub> = +2.5 V, -40°C < T<sub>A</sub> < +125°C, unless otherwise noted.

Table 2.

Parameter	Symbol	Condition	3 V to 5 V ± 10%	±5 V ± 10%	Unit
STATIC PERFORMANCE					
Resolution <sup>1</sup>	N		10	10	Bits
Relative Accuracy <sup>2</sup>	INL		±1	±1	LSB max
Differential Nonlinearity <sup>2</sup>	DNL	Monotonic	±1	±1	LSB max
Zero-Scale Error	V <sub>ZSE</sub>	Data = 000 <sub>H</sub>	7	±4	mV max
Full-Scale Voltage Error	V <sub>FSE</sub>	Data = 3FF <sub>H</sub>	±15	±15	mV max
Full-Scale Tempco <sup>3</sup>	TCV <sub>FS</sub>		1.5	1.5	ppm/°C typ
REFERENCE INPUT					
V <sub>REFIN</sub> Range <sup>4</sup>	V <sub>REF</sub>		0/V <sub>DD</sub>	V <sub>SS</sub> /V <sub>DD</sub>	V min/max
Input Resistance <sup>5</sup>	R <sub>REF</sub>	Data = 155 <sub>H</sub> , worst case	40	40	kΩ typ <sup>6</sup>
Input Capacitance <sup>3</sup>	C <sub>REF</sub>		5	5	pF typ
ANALOG OUTPUT					
Output Voltage Range	V <sub>OUT</sub>		0 to V <sub>REF</sub>	0 to V <sub>REF</sub>	V
Output Current	I <sub>OUT</sub>	Data = 200 <sub>H</sub> , ΔV <sub>OUT</sub> = 1 LSB	±5	±5	mA typ
Capacitive Load <sup>3</sup>	C <sub>L</sub>	No oscillation	200	400	pF max
LOGIC INPUTS					
Logic Input Low Voltage	V <sub>IL</sub>	V <sub>DD</sub> = 3 V	0.5		V max
		V <sub>DD</sub> = 5 V	0.8	0.8	V max
Logic Input High Voltage	V <sub>IH</sub>	CLK only	80% V <sub>DD</sub>	4.0	V min
			2.1 to 2.4	2.4	V min
Input Leakage Current	I <sub>IL</sub>		1	1	μA max
Input Capacitance <sup>3</sup>	C <sub>IL</sub>		10	10	pF max
INTERFACE TIMING <sup>3,7</sup>					
Clock Frequency	f <sub>CLK</sub>		11	16.6	MHz max
Clock Width High	t <sub>CH</sub>		45	30	ns min
Clock Width Low	t <sub>CL</sub>		45	30	ns min
$\overline{\text{CS}}$ to Clock Setup	t <sub>CSS</sub>		10	5	ns min
Clock to $\overline{\text{CS}}$ Hold	t <sub>CSH</sub>		20	15	ns min
Load DAC Pulse Width	t <sub>LDAC</sub>		45	30	ns min
Data Setup	t <sub>DS</sub>		15	10	ns min
Data Hold	t <sub>DH</sub>		10	5	ns min
Load Setup to $\overline{\text{CS}}$	t <sub>LDS</sub>		0	0	ns min
Load Hold to $\overline{\text{CS}}$	t <sub>LH</sub>		20	15	ns min

Parameter	Symbol	Condition	3 V to 5 V ± 10%	±5 V ± 10%	Unit
<b>AC CHARACTERISTICS</b>					
Output Slew Rate	SR	Data = 000 <sub>H</sub> to 3FF <sub>H</sub> to 000 <sub>H</sub>	2	2	V/μs typ
Settling Time <sup>8</sup>	t <sub>s</sub>	To ±0.1% of full scale	6	6	μs typ
Shutdown Recovery	t <sub>SDR</sub>		6	6	μs typ
DAC Glitch	Q	Code 1FF <sub>H</sub> to 200 <sub>H</sub> to 1FF <sub>H</sub>	150	150	nVs typ
Digital Feedthrough	Q <sub>DF</sub>		15	15	nVs typ
Feedthrough	V <sub>OUT</sub> /V <sub>REF</sub>	V <sub>REF</sub> = 1.5 V <sub>DC</sub> + 1 V p-p, data = 000 <sub>H</sub> , f = 100 kHz	-63	-63	dB typ
<b>SUPPLY CHARACTERISTICS</b>					
Shutdown Supply Current	I <sub>DD,SD</sub>	No load	30/60	30/60	μA typ/max
Positive Supply Current	I <sub>DD</sub>	V <sub>IL</sub> = 0 V, no load, -40°C < T <sub>A</sub> < +125°C	1.5/2.8	1.6/3	mA typ/max
	I <sub>DD</sub>	V <sub>IL</sub> = 0 V, no load, -40°C < T <sub>A</sub> < +85°C	1.5/2.6	1.6/2.8	mA typ/max
Negative Supply Current	I <sub>SS</sub>	V <sub>IL</sub> = 0 V, no load	1.5/2.5	1.6/2.7	mA typ/max
Power Dissipation	P <sub>DISS</sub>	V <sub>IL</sub> = 0 V, no load	5	16	mW typ
Power Supply Sensitivity	PSS	ΔV <sub>DD</sub> = ±5%	0.006	0.006	%/ % max

<sup>1</sup> One LSB = V<sub>REF</sub>/1024 V for the 10-bit AD7399.

<sup>2</sup> The first two codes (000<sub>H</sub> and 001<sub>H</sub>) are excluded from the linearity error measurement in single-supply operation.

<sup>3</sup> These parameters are guaranteed by design and not subject to production testing.

<sup>4</sup> When V<sub>REF</sub> is connected to either the V<sub>DD</sub> or the V<sub>SS</sub> power supply, the corresponding V<sub>OUT</sub> voltage programs between ground and the supply voltage minus the offset voltage of the output buffer, which is the same as the V<sub>ZSE</sub> error specification. See additional discussion in the Theory of Operation section.

<sup>5</sup> Input resistance is code dependent.

<sup>6</sup> Typicals represent average readings measured at 25°C.

<sup>7</sup> All input control signals are specified with t<sub>r</sub> = t<sub>f</sub> = 2 ns (10% to 90% of 3 V) and timed from a voltage level of 1.5 V.

<sup>8</sup> The settling time specification does not apply for negative going transitions within the last 3 LSBs of ground.

## TIMING DIAGRAMS

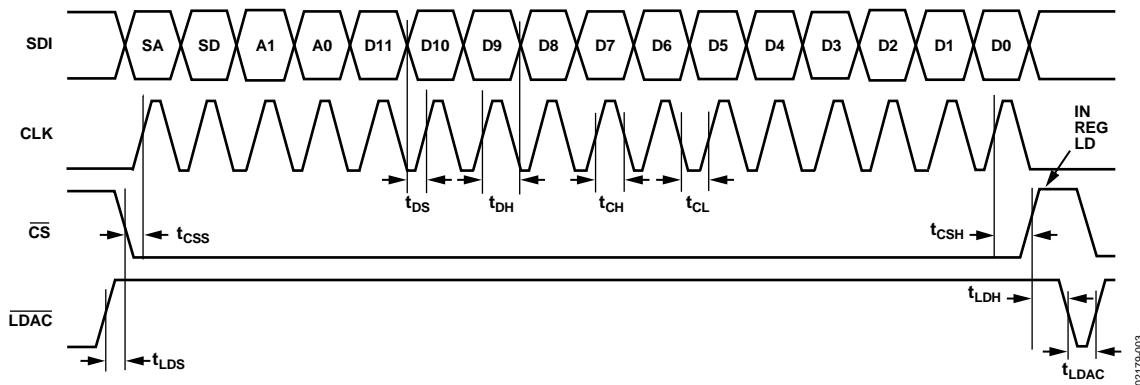


Figure 3. AD7398 Timing Diagram (AD7399 with SDI = 14 Bits Only)

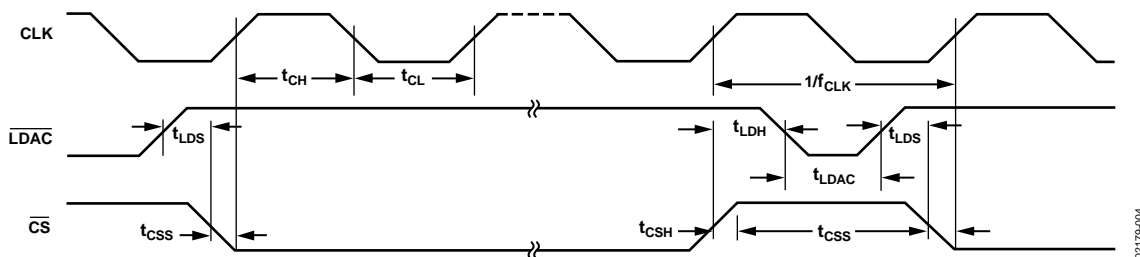


Figure 4. Continuous Clock Timing Diagram

## ABSOLUTE MAXIMUM RATINGS

Table 3.

Parameter	Rating
V <sub>DD</sub> to GND	−0.3 V, +7 V
V <sub>SS</sub> to GND	+0.3 V, −7 V
V <sub>REF</sub> to GND	V <sub>SS</sub> , V <sub>DD</sub>
Logic Inputs to GND	−0.3 V, +8 V
V <sub>OUT</sub> to GND	V <sub>SS</sub> − 0.3 V, V <sub>DD</sub> + 0.3 V
I <sub>OUT</sub> Short Circuit to GND	50 mA
Thermal Resistance (θ <sub>JA</sub> )	
16-Lead SOIC_W Package (RW-16)	158°C/W
16-Lead TSSOP Package (RU-16)	180°C/W
Maximum Junction Temperature (T <sub>J</sub> Max)	150°C
Package Power Dissipation	(T <sub>J</sub> Max − T <sub>A</sub> )/θ <sub>JA</sub>
Operating Temperature Range	−40°C to +125°C
Storage Temperature Range	−65°C to +150°C
Reflow Soldering Peak Temperature	
SnPb	240°C
Pb-Free	260°C

Stresses above those listed under Absolute Maximum Ratings may cause permanent damage to the device. This is a stress rating only; functional operation of the device at these or any other conditions above those indicated in the operational section of this specification is not implied. Exposure to absolute maximum rating conditions for extended periods may affect device reliability.

### ESD CAUTION



**ESD (electrostatic discharge) sensitive device.** Charged devices and circuit boards can discharge without detection. Although this product features patented or proprietary protection circuitry, damage may occur on devices subjected to high energy ESD. Therefore, proper ESD precautions should be taken to avoid performance degradation or loss of functionality.

## PIN CONFIGURATION AND FUNCTION DESCRIPTIONS

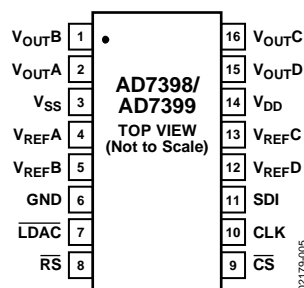


Figure 5. Pin Configuration

Table 4. Pin Function Descriptions

Pin No.	Mnemonic	Description
1	V <sub>OUTB</sub>	DAC B Voltage Output.
2	V <sub>OUTA</sub>	DAC A Voltage Output.
3	V <sub>SS</sub>	Negative Power Supply Input. Specified range of operation 0 V to –5.5 V.
4	V <sub>REFA</sub>	DAC A Reference Voltage Input Terminal. Establishes DAC A full-scale output voltage. Pin can be tied to V <sub>DD</sub> pin or V <sub>SS</sub> pin.
5	V <sub>REFB</sub>	DAC B Reference Voltage Input Terminal. Establishes DAC B full-scale output voltage. Pin can be tied to V <sub>DD</sub> pin or V <sub>SS</sub> pin.
6	GND	Ground Pin.
7	$\overline{\text{LDAC}}$	Load DAC Register Strobe. Level sensitive active low. Transfers all input register data to DAC registers. Asynchronous active low input. See Table 5 for operation.
8	$\overline{\text{RS}}$	Resets Input and DAC Registers to All Zero Codes. Shift register contents unchanged.
9	$\overline{\text{CS}}$	Chip Select. Active low input. Disables shift register loading when high. Transfers serial register data to the input register when $\overline{\text{CS}}$ returns high. Does not effect LDAC operation.
10	CLK	Schmitt Triggered Clock Input. Positive edge clocks data into shift register.
11	SDI	Serial Data Input. Input data loads directly into the shift register.
12	V <sub>REFD</sub>	DAC D Reference Voltage Input Terminal. Establishes DAC D full-scale output voltage. Pin can be tied to V <sub>DD</sub> pin or V <sub>SS</sub> pin.
13	V <sub>REFC</sub>	DAC C Reference Voltage Input Terminal. Establishes DAC C full-scale output voltage. Pin can be tied to V <sub>DD</sub> pin or V <sub>SS</sub> pin.
14	V <sub>DD</sub>	Positive Power Supply Input. Specified range of operation 3 V to 5 V $\pm$ 10%.
15	V <sub>OUTD</sub>	DAC D Voltage Output.
16	V <sub>OUTC</sub>	DAC C Voltage Output.

Table 5. Control Logic Truth Table

CS	CLK	$\overline{\text{LDAC}}$	Serial Shift Register Function	Input Register Function	DAC Register
H	X	H	No effect	No effect	No effect
L	L	H	No effect	No effect	No effect
L	$\uparrow+$	H	Shift register data advanced one bit	Latched	No effect
L	H	H	No effect	Latched	No effect
$\uparrow+$	L/H	H	No effect	Updated with shift register contents	No effect
H	X	L	No effect	Latched	Transparent
H	X	$\uparrow+$	No effect	Latched	Latched

### NOTES

- $\uparrow+$  = Positive logic transition;  $\downarrow-$  = Negative logic transition; X = Don't Care.
- At power-on, both the input register and the DAC register are loaded with all zeros.
- During power shutdown, reprogramming of any internal registers can take place, but the output amplifiers do not produce the new values until the part is taken out of shutdown mode.
- The LDAC input is a level-sensitive input that controls the four DAC registers.

# AD7398/AD7399

## INPUT REGISTERS

### AD7398 SERIAL INPUT REGISTER DATA FORMAT

Data is loaded in the MSB first format.

MSB													LSB		
B15	B14	B13	B12	B11	B10	B9	B8	B7	B6	B5	B4	B3	B2	B1	B0
SA	SD	A1	A0	D11	D10	D9	D8	D7	D6	D5	D4	D3	D2	D1	D0

NOTE  
 Bit Position B14 and Bit Position B15 are the SD and SA power shutdown control bits. If SA is set to Logic 1, all DACs are placed in the power shutdown mode. If SD is set to Logic 1, the address decoded by Bit B12 and Bit B13 (A0 and A1) determine the DAC channel that is placed in the power shutdown state.

### AD7399 SERIAL INPUT REGISTER DATA FORMAT

Data is loaded in the MSB first format.

MSB													LSB	
B13	B12	B11	B10	B9	B8	B7	B6	B5	B4	B3	B2	B1	B0	
SA	SD	A1	A0	D9	D8	D7	D6	D5	D4	D3	D2	D1	D0	

NOTE  
 Bit Position B12 and Bit Position B13 are the SD and SA power shutdown control bits. If SA is set to Logic 1, all DACs are placed in the power shutdown mode. If SD is set to Logic 1, the address decoded by Bit B10 and Bit B11 (A0 and A1) determine the DAC channel that is placed in the power shutdown state.

Table 6. AD7398/AD7399 Address Decode Control

SA	SD	A1	A0	DAC Channel Affected
1	X	X	X	All DACs shutdown
0	1	0	0	DAC A shutdown
0	1	0	1	DAC B shutdown
0	1	1	0	DAC C shutdown
0	1	1	1	DAC D shutdown
0	0	0	0	DAC A input register decoded
0	0	0	1	DAC B input register decoded
0	0	1	0	DAC C input register decoded
0	0	1	1	DAC D input register decoded

## TERMINOLOGY

### Relative Accuracy (INL)

For the DAC, relative accuracy or integral nonlinearity (INL) is a measure of the maximum deviation, in LSBs, from a straight line passing through the endpoints of the DAC transfer function. Figure 6 illustrates a typical INL vs. code plot.

### Differential Nonlinearity (DNL)

Differential nonlinearity is the difference between the measured change and the ideal 1 LSB change between any two adjacent codes. A specified differential nonlinearity of  $\pm 1$  LSB maximum ensures monotonicity. Figure 8 illustrates a typical DNL vs. code plot.

### Zero-Scale Error ( $V_{ZSE}$ )

Zero-scale error is a measure of the output voltage error from zero voltage when zero code is loaded to the DAC register.

### Full-Scale Error ( $V_{FSE}$ )

Full-scale error is a measure of the output voltage error from full-scale voltage when full-scale code is loaded to the DAC register.

### Full-Scale Temperature Coefficient ( $TC_{VFS}$ )

This is a measure of the change in full-scale error with a change in temperature. It is expressed in ppm/ $^{\circ}C$  or mV/ $^{\circ}C$ .

### DAC Glitch Impulse (Q)

Digital-to-analog glitch impulse is the impulse injected into the analog output when the input code in the DAC register changes state. It is normally specified as the area of the glitch in nV  $\cdot$  s and is measured when the digital input code is changed by 1 LSB at the major carry transition (midscale transition). A plot of the glitch impulse is shown in Figure 15.

### Digital Feedthrough ( $Q_{DF}$ )

Digital feedthrough is a measure of the impulse injected into the analog output of the DAC from the digital inputs of the  $\overline{CS}$  DAC, but is measured when the DAC output is not updated.  $\overline{CS}$  is held high while the CLK and SDI signals are toggled. It is specified in nV  $\cdot$  s, and is measured with a full-scale code change on the data bus, such as from all 0s to all 1s and vice versa. A typical plot of digital feedthrough is shown in Figure 16.

### Power Supply Sensitivity (PSS)

This specification indicates how the output of the DAC is affected by changes in the power supply voltage. Power supply sensitivity is quoted in terms of % change in output per % change in  $V_{DD}$  for full-scale output of the DAC.  $V_{DD}$  is varied by  $\pm 10\%$ .

### Reference Feedthrough ( $V_{OUT}/V_{REF}$ )

This is a measure of the feedthrough from the  $V_{REF}$  input to the DAC output when the DAC is loaded with all 0s. A 100 kHz, 1 V p-p is applied to  $V_{REF}$ . Reference feedthrough is expressed in dB or mV p-p.

## TYPICAL PERFORMANCE CHARACTERISTICS

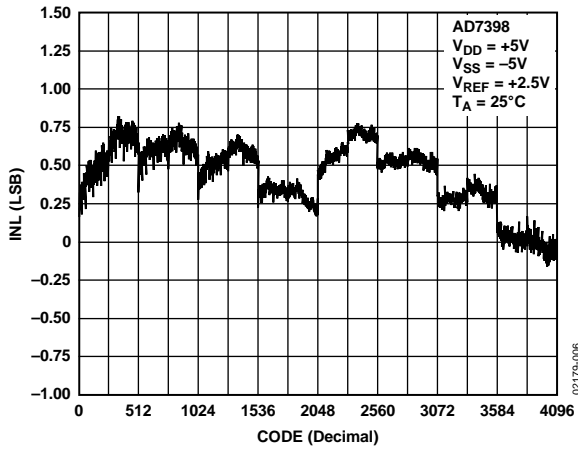


Figure 6. AD7398 INL vs. Code ( $T_A = 25^\circ\text{C}$ )

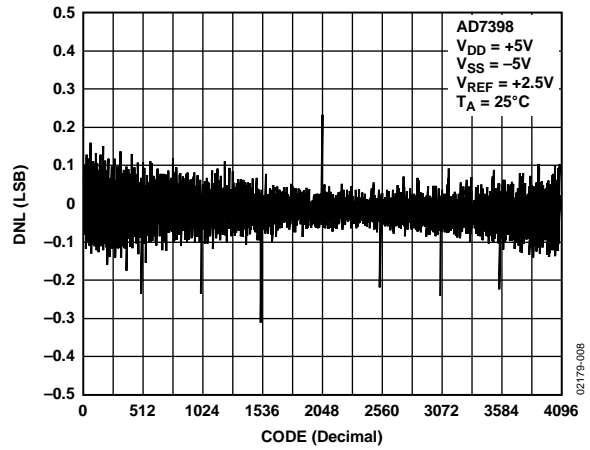


Figure 8. AD7398 DNL vs. Code ( $T_A = 25^\circ\text{C}$ )

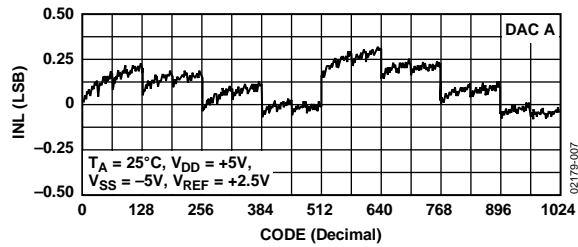
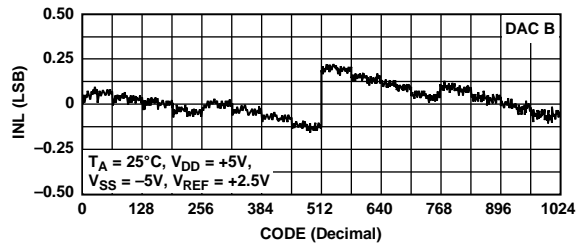
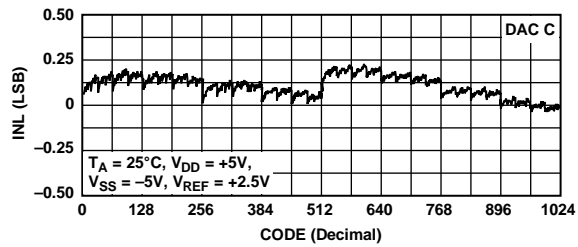
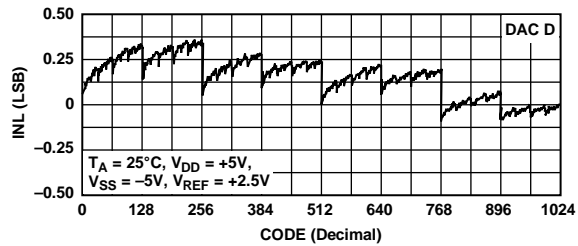


Figure 7. AD7399 INL vs. Code ( $T_A = 25^\circ\text{C}$ )

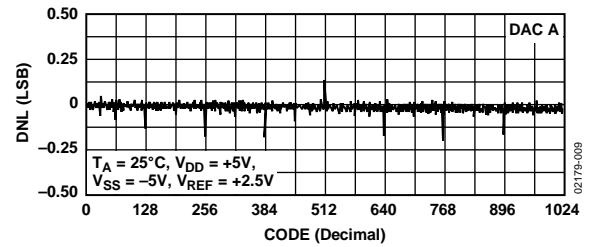
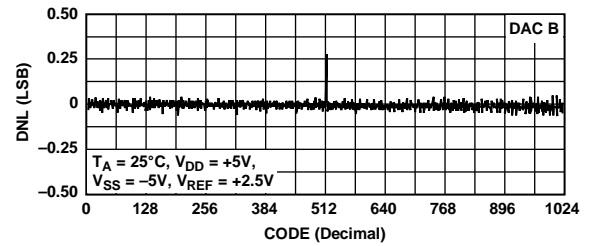
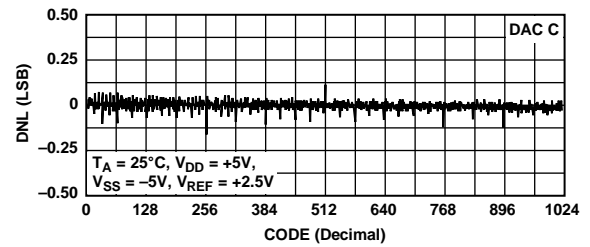
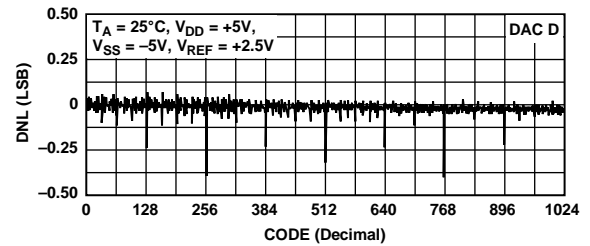


Figure 9. AD7399 DNL vs. Code ( $T_A = 25^\circ\text{C}$ )

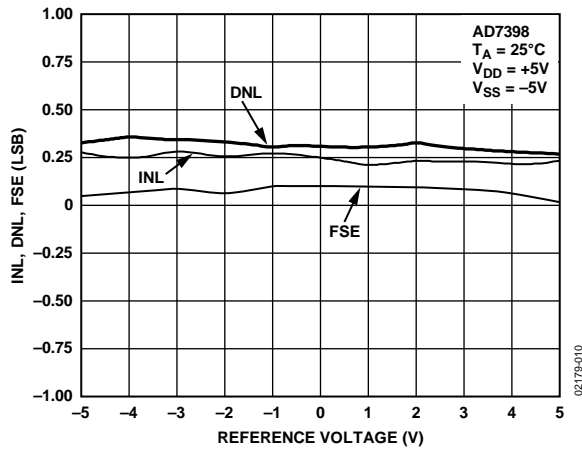


Figure 10. AD7398 INL, DNL, FSE vs. Reference Voltage

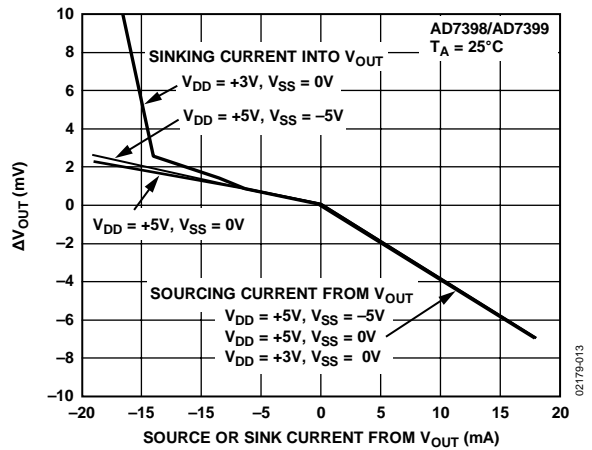


Figure 13.  $\Delta V_{OUT}$  vs. Load Current

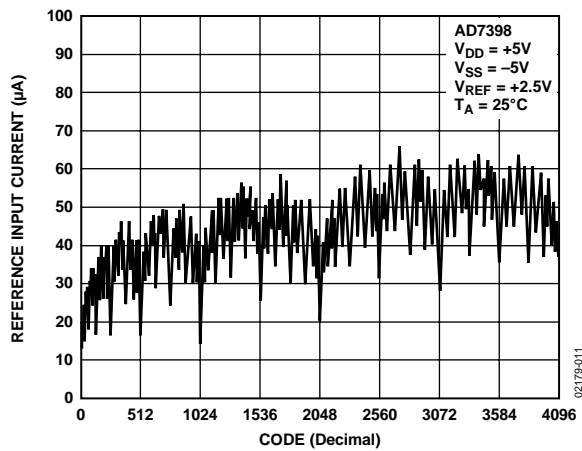


Figure 11. AD7398 Reference Input Current vs. Code

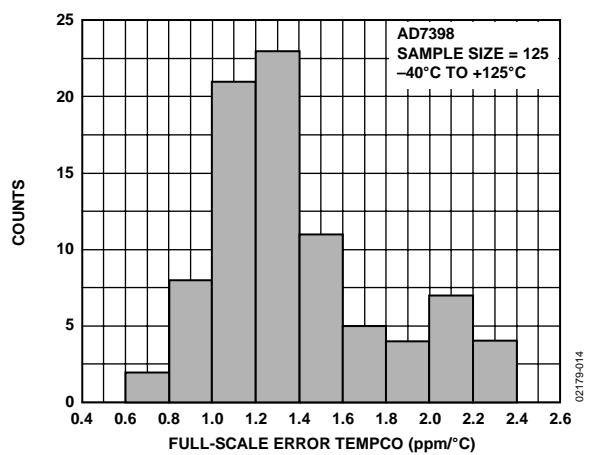


Figure 14. AD7398 Full-Scale Error Tempco

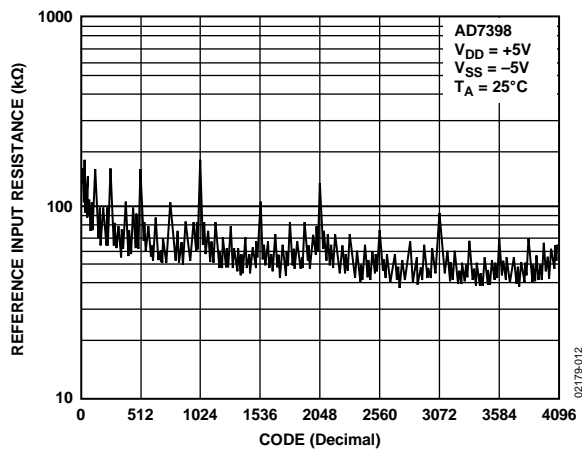


Figure 12. AD7398 Reference Input Resistance vs. Code

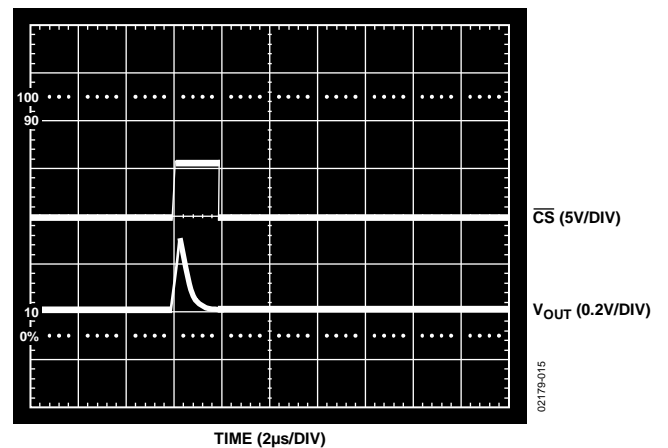


Figure 15. AD7398 Midscale Glitch

# AD7398/AD7399

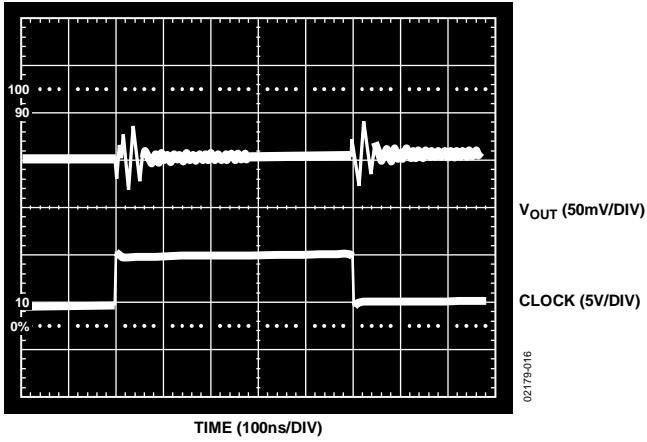


Figure 16. AD7398 Digital Feedthrough

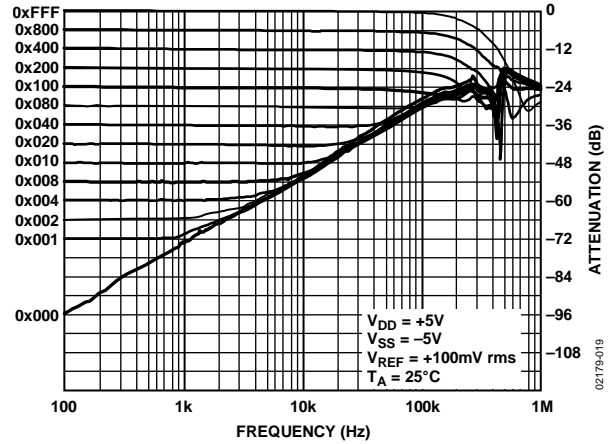


Figure 19. AD7398 Multiplying Gain vs. Frequency

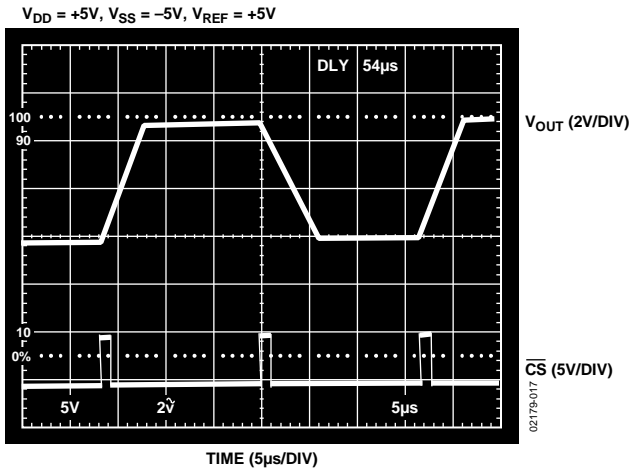


Figure 17. AD7398 Large Signal Settling Time

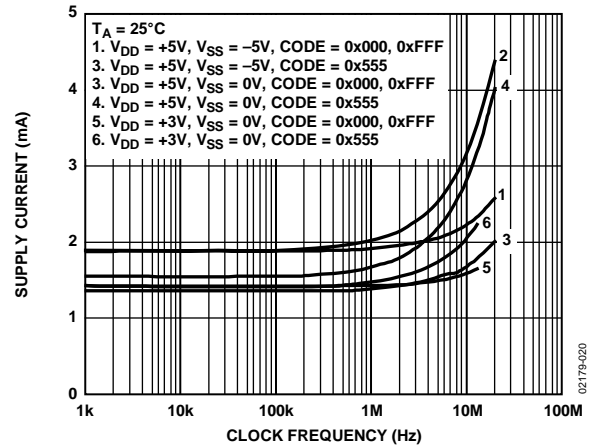


Figure 20. AD7398 Supply Current vs. Clock Frequency

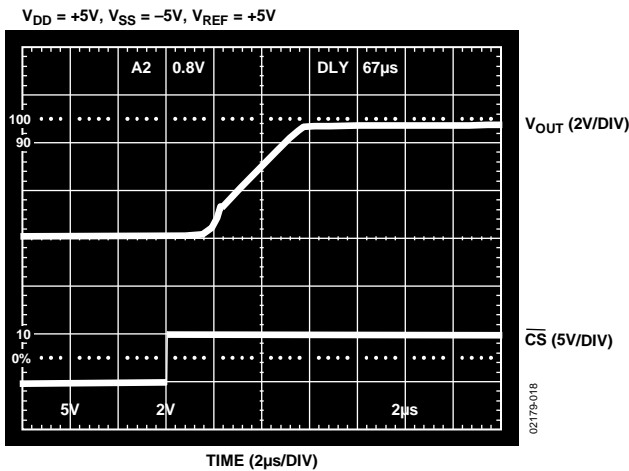


Figure 18. AD7398 Shutdown Recovery

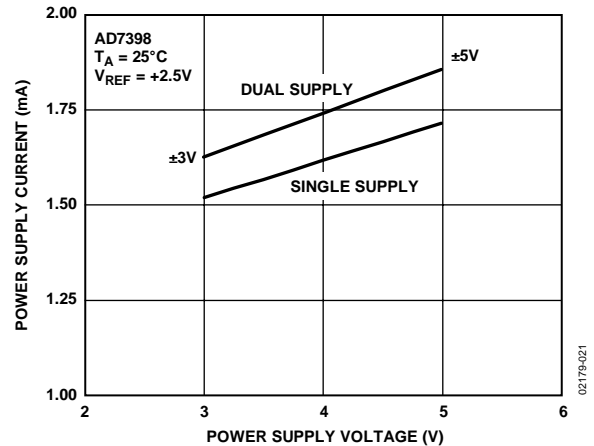


Figure 21. AD7398 Supply Current vs. Supply Voltage

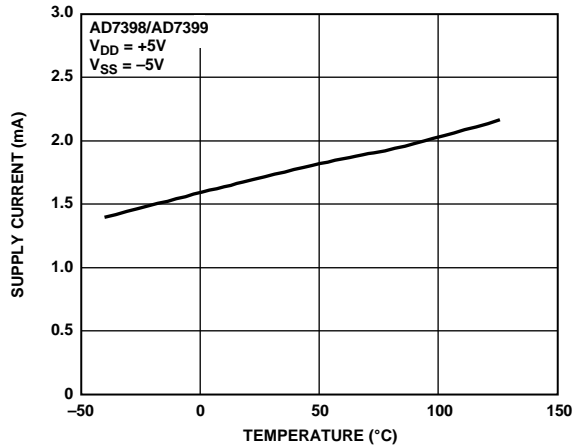


Figure 22. Supply Current vs. Temperature

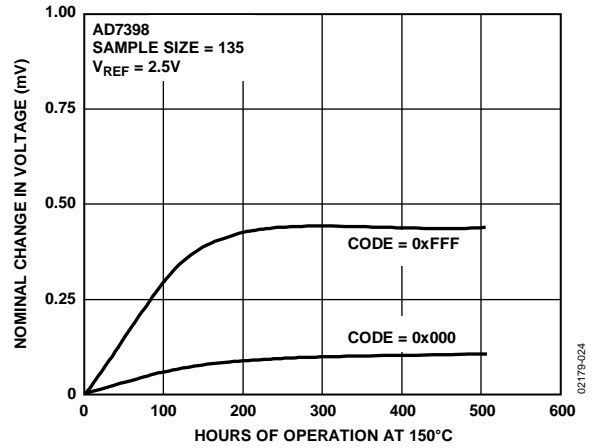


Figure 24. AD7398 Long-Term Drift

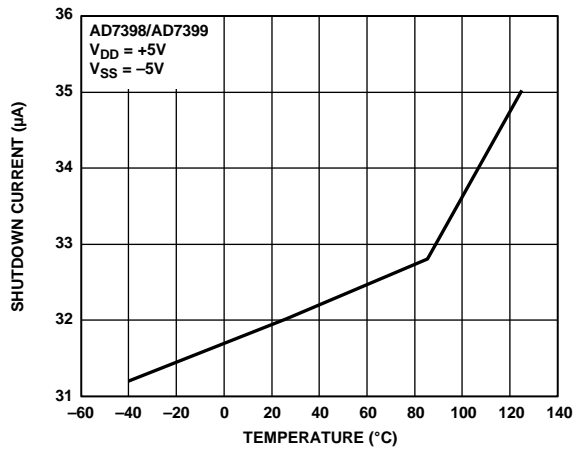


Figure 23. Shutdown Current vs. Temperature

## THEORY OF OPERATION

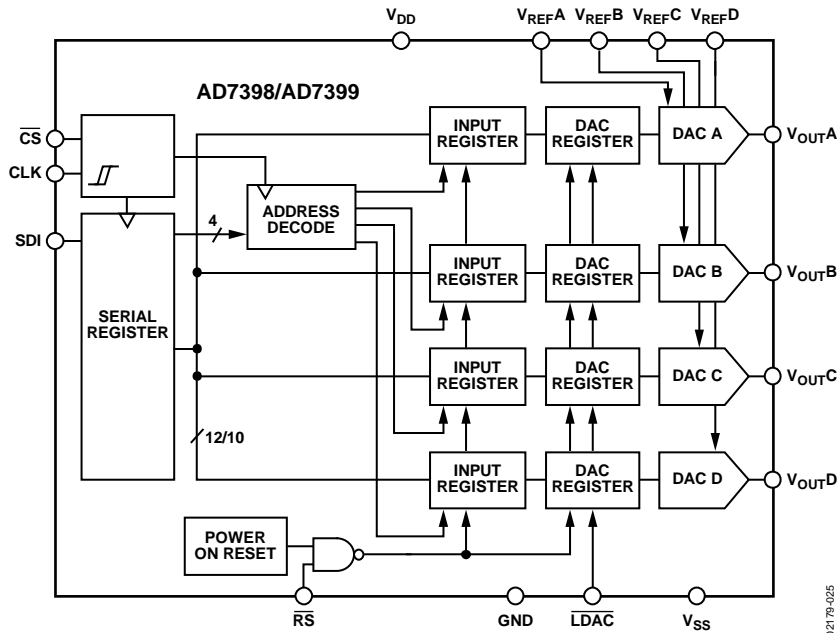


Figure 25. Simplified Block Diagram

The AD7398/AD7399 contain four 12-bit and 10-bit, respectively, voltage output, digital-to-analog converters. Each DAC has its own independent multiplying reference input. Both the AD7398 and AD7399 use a 3-wire, SPI-compatible serial data interface, with an asynchronous  $\overline{RS}$  pin for zero-scale reset. In addition, an  $\overline{LDAC}$  strobe enables four-channel simultaneous updates for hardware-synchronized output voltage changes.

The nominal DAC output voltage is determined by the externally applied  $V_{REF}$  and the digital data (D) as

$$V_{OUT} = V_{REF} \times D/4096 \text{ (For AD7398)} \quad (1)$$

$$V_{OUT} = V_{REF} \times D/1024 \text{ (For AD7399)} \quad (2)$$

where:

D is the 12-bit or 10-bit decimal equivalent of the data word.  $V_{REF}$  is the externally applied reference voltage.

In order to maintain good analog performance, the user should bypass power supplies with 0.01  $\mu\text{F}$  ceramic capacitors (mount them close to the supply pins) and 1  $\mu\text{F}$  to 10  $\mu\text{F}$  tantalum capacitors in parallel. In addition, clean power supplies with low ripple voltage capability should be used. Switching power supplies can be used for this application, but beware of its higher ripple voltage and PSS frequency-dependent characteristics. It is also best to supply power to the AD7398/AD7399 from the system's analog supply voltages. Do not use the digital 5 V supply.

The reference input resistance is code dependent, exhibiting worst case 35 k $\Omega$  for AD7398 when the DAC is loaded with alternating codes 010101010101. Similarly, the reference input resistance is 40 k $\Omega$  for AD7399 when the DAC is loaded with 0101010101.

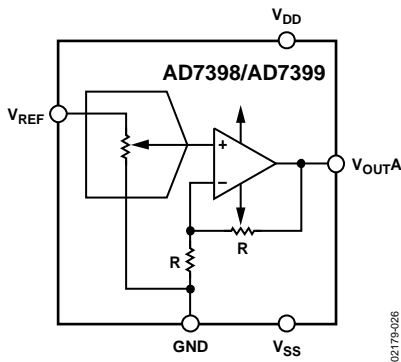


Figure 26. Simplified DAC Channel

### DAC OPERATION

The internal R-2R ladder of the AD7398/AD7399 operates in the voltage switching mode, maintaining an output voltage that is the same polarity as the input reference voltage. A proprietary scaling technique is used to attenuate the input reference voltage in the DAC. The output buffer amplifies the internal DAC output to achieve a  $V_{REF}$  to  $V_{OUT}$  gain of unity.

## OPERATION WITH $V_{REF}$ EQUAL TO THE SUPPLY

The AD7398/AD7399 are designed to approach the full output voltage swing from ground to  $V_{DD}$  or  $V_{SS}$ . The maximum output swing is achieved when the corresponding  $V_{REF}$  input pin is tied to the same power supply. This power supply should be low noise and low ripple, preferably operated by a suitable reference voltage source such as ADR292 or REF02. The output swing is limited by the internal buffer offset voltage and the output drive current capability of the output stage. Users should at least budget the  $V_{ZSE}$  offset voltage as the closest the output voltage can get to either supply voltage under a no load condition. Under a loaded output, degrade the headroom by a factor of 2 mV per 1 mA of load current. Also note that the internal op amp has an offset voltage so that the first eight codes of AD7398 may not respond at the supply voltage or at ground until the internal DAC voltage exceeds the offset voltage of the output buffers. Similarly, the first two codes of AD7399 should not be used.

## POWER SUPPLY SEQUENCING

$V_{DD}/V_{SS}$  of AD7398/AD7399 should be powered from the system analog supplies. The external reference input can be supplied from the same supply to avoid a possible latch-up when the reference is powered on prior to  $V_{DD}/V_{SS}$ , or powered off subsequent to  $V_{DD}/V_{SS}$ . If  $V_{DD}/V_{SS}$  and  $V_{REF}$  have separate power sources, ensure the power-up sequence is GND,  $V_{DD}$ ,  $V_{SS}$ ,  $V_{REF}$ /digital input/digital output. The reverse sequence applies to the power-down sequence. The order of  $V_{REF}$  and digital input/digital output is not important. In addition,  $V_{REF}$  pins of the unused DACs should be connected to GND or some other power sources to ensure a similar power-up/power-down sequence.

## PROGRAMMABLE POWER SHUTDOWN

The two MSBs of the serial input register, SA and SD, are used to program various shutdown modes. If SA is set to Logic 1, all DACs are placed in shutdown mode. If SA = 0 and SD = 1, a corresponding DAC is shutdown addressed by Bit A0 and Bit A1 (see the Input Registers section).

## WORST CASE ACCURACY

Assuming a perfect reference, the worst-case output voltage can be calculated from the following equation:

$$V_{OUT} = \frac{D}{2^N} \times (V_{REF} + V_{FSE}) + V_{ZSE} + INL \quad (3)$$

where:

$D$  = decimal code loaded to DAC ranges  $0 \leq D \leq 2^N - 1$ .

$N$  = number of bits.

$V_{REF}$  = applied reference voltage.

$V_{FSE}$  = full-scale error in volts.

$V_{ZSE}$  = zero-scale error in volts.

$INL$  = integral nonlinearity in volts.  $INL$  is 0 at full scale or zero scale.

## SERIAL DATA INTERFACE

The AD7398/AD7399 uses a 3-wire ( $\overline{CS}$ , SDI, CLK) SPI-compatible serial data interface. Serial data of the AD7398 and AD7399 is clocked into the serial input register in a 16-bit and 14-bit data-word format, respectively. MSBs are loaded first. The Input Registers section defines the 16 data-word bits for AD7398 and the 14 data-word bits for the AD7399. Data is placed on the SDI pin, and clocked into the register on the positive clock edge of CLK, subject to the data setup and data hold time requirements specified in the Specifications section. Data can only be clocked in while the  $\overline{CS}$  chip select pin is active low. For the AD7398, only the last 16 bits clocked into the serial register are interrogated when the  $\overline{CS}$  pin returns to the logic high state, and extra data bits are ignored. For the AD7399, only the last 14 bits clocked into the serial register are interrogated when the  $\overline{CS}$  pin returns to the logic high state. Because most microcontrollers output serial data is in eight-bit bytes, two right-justified data bytes can be written to the AD7398 and AD7399. Keeping the  $\overline{CS}$  line low between the first and second byte transfers results in a successful serial register update.

Once the data is properly aligned in the shift register, the positive edge of the  $\overline{CS}$  initiates the transfer of new data to the target DAC register, determined by the decoding of Address Bit A1 and Address Bit A0. For the AD7398, Table 5, Table 6, the Input Registers section, Figure 3, and Figure 4 define the characteristics of the serial interface. For the AD7399, Table 5, Table 6, the Input Registers section, and Figure 4 (with a 14-bit exception) define the characteristics of the serial interface. Figure 27 and Figure 28 show the equivalent logic interface for the key digital control pins for AD7398 and AD7399.

An asynchronous  $\overline{RS}$  provides hardware control reset to zero-code state over the preset function and DAC register loading. If this function is not needed, the  $\overline{RS}$  pin can be tied to logic high.

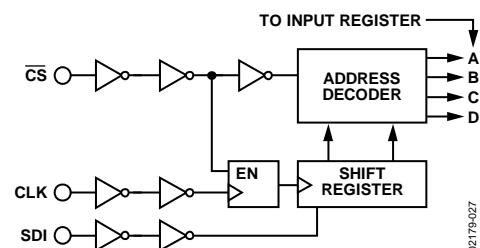


Figure 27. Equivalent Logic Interface

# AD7398/AD7399

## POWER-ON RESET

When the  $V_{DD}$  power supply is turned on, an internal reset strobe forces all the input and DAC registers to the zero-code state. The  $V_{DD}$  power supply should have a smooth positive ramp without drooping in order to have consistent results, especially in the region of  $V_{DD} = 1.5\text{ V}$  to  $2.2\text{ V}$ . The  $V_{SS}$  supply has no effect on the power-on reset performance. The DAC register data stays at zero until a valid serial register data load takes place.

## ESD Protection Circuits

All logic input pins contain back-biased ESD protection Zeners connected to ground (GND) and  $V_{DD}$  as shown in Figure 28.

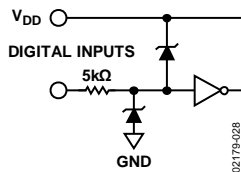


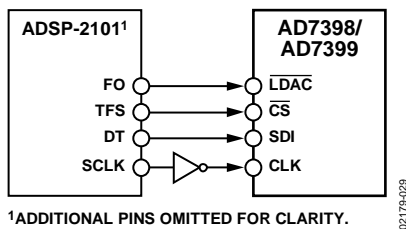
Figure 28. Equivalent ESD Protection Circuits

## MICROPROCESSOR INTERFACING

Microprocessor interfacing to the AD7398/AD7399 is via a serial bus that uses standard protocol compatible with DSP processors and microcontrollers. The communications channel requires a 3-wire interface consisting of a clock signal, a data signal, and a synchronization signal. The AD7398/AD7399 require a 16-bit/14-bit data word with data valid on the rising edge of CLK. The DAC update can be done automatically when all the data is clocked in, or it can be done under control of  $\overline{\text{LDAC}}$ .

### ADSP-2101 to AD7398/AD7399 Interface

Figure 29 shows a serial interface between the AD7398/AD7399 and the ADSP-2101. The ADSP-2101 is set to operate in the serial port (SPORT) transmit alternate framing mode. The ADSP-2101 is programmed through the SPORT control register and should be configured as follows: Internal clock operation, active low framing, 16-bit-word length. For the AD7398, transmission is initiated by writing a word to the Tx register after the SPORT has been enabled. For the AD7399, the first two bits are don't care as the AD7399 keeps the last 14 bits. Similarly, transmission is initiated by writing a word to the Tx register after the SPORT has been enabled. Because of the edge-triggered difference, an inverter is required at the SCLKs between the DSP and the DAC.

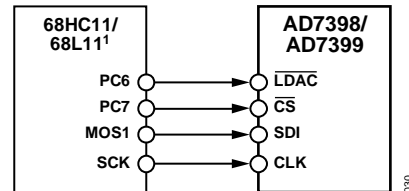


<sup>1</sup>ADDITIONAL PINS OMITTED FOR CLARITY.

Figure 29. ADSP-2101 to AD7398/AD7399 Interface

### 68HC11/68L11 to AD7398/AD7399 Interface

Figure 30 shows a serial interface between the AD7398/AD7399 and the 68HC11/68L11 microcontroller. SCK of the 68HC11/68L11 drives the CLK of the DAC, and the MOSI output drives the serial data lines SDI.  $\overline{\text{CS}}$  signal is driven from one of the port lines. The 68HC11/68L11 are configured for master mode; MSTR = 1, CPOL = 0, and CPHA = 0. Data appearing on the MOSI output is valid on the rising edge of SCK.

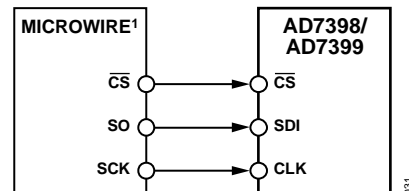


<sup>1</sup>ADDITIONAL PINS OMITTED FOR CLARITY.

Figure 30. 68HC11/68L11 to AD7398/AD7399 Interface

### MICROWIRE™ to AD7398/AD7399 Interface

Figure 31 shows an interface between the AD7398/AD7399 and any MICROWIRE-compatible device. Serial data is shifted out on the falling edge of the serial clock and into the AD7398/AD7399 on the rising edge of the serial clock. No glue logic is required as the DAC clocks data into the input shift register on the rising edge.

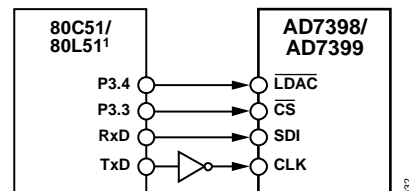


<sup>1</sup>ADDITIONAL PINS OMITTED FOR CLARITY.

Figure 31. MICROWIRE to AD7398/AD7399 Interface

### 80C51/80L51 to AD7398/AD7399 Interface

A serial interface between the AD7398/AD7399 and the 80C51/80L51 microcontroller is shown in Figure 32. TxD of the microcontroller drives the CLK of the AD7398/AD7399, and RxD drives the serial data line of the DAC. P3.3 is a bit-programmable pin on the serial port that is used to drive  $\overline{\text{CS}}$ .



<sup>1</sup>ADDITIONAL PINS OMITTED FOR CLARITY.

Figure 32. 80C51/80L51 to AD7398/AD7399 Interface

Note that the 80C51/80L51 provide the LSB first, although the AD7398/AD7399 expect the MSB of the 16-bit/14-bit word first. Care should be taken to ensure the transmit routine takes this into account. This can usually be done with software by shifting out and accumulating the bits in the correct order before inputting to the DAC. In addition, 80C51 outputs two byte words/16 bits of data. Thus for AD7399, the first two bits, after rearrangement, should be don't care as they are dropped from the 14-bit word of the AD7399.

When data is to be transmitted to the DAC, P3.3 is taken low. Data on RxD is valid on the falling edge of TxD, so the clock must be inverted as the DAC clocks data into the input shift register on the rising edge of the serial clock. The 80C51/80L51 transmit their data in 8-bit bytes with only eight falling clock edges occurring in the transmit cycle. As the AD7399 requires a 14-bit word, P3.3 (or any one of the other programmable bits) is the  $\overline{\text{CS}}$  input signal to the DAC; therefore P3.3 should be brought low at the beginning of the 16-bit write cycle  $2 \times 8$  bit-words, and held low until the 16-bit  $2 \times 8$  cycle is completed. After that, P3.3 is brought high again and the new data loads to the DAC. Again, the first two bits, after rearranging, should be don't care.  $\overline{\text{LDAC}}$  on the AD7398/AD7399 can also be controlled by the 80C51/80L51 serial port output by using another bit-programmable pin, P3.4.

## APPLICATIONS INFORMATION

### STAIRCASE WINDOWS COMPARATOR

Many applications need to determine whether voltage levels are within predetermined limits. Some requirements are for nonoverlapping windows and others for overlapping windows. Both circuit configurations are shown in Figure 33 and Figure 34, respectively.

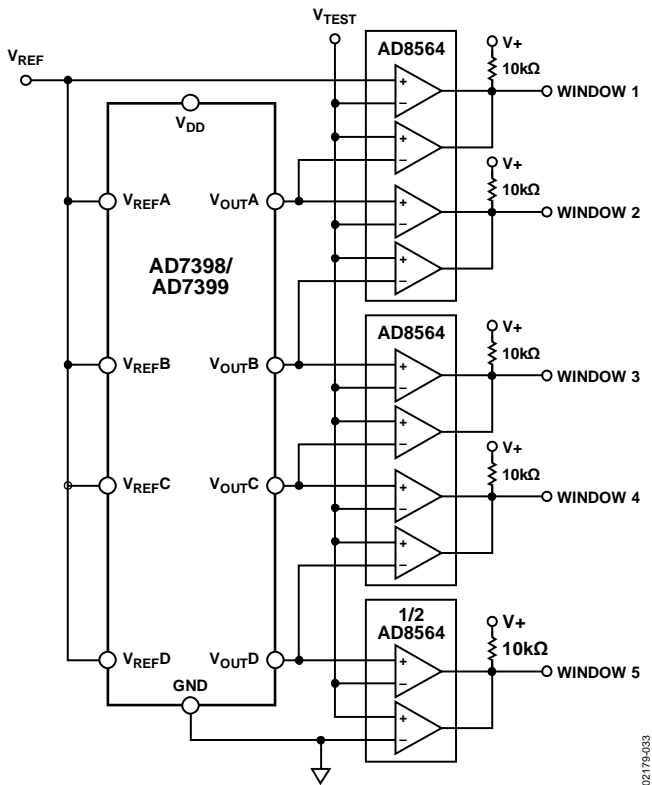


Figure 33. Nonoverlapping Windows Comparator

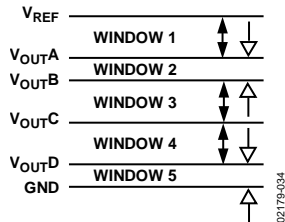


Figure 34. Nonoverlapping Windows Range

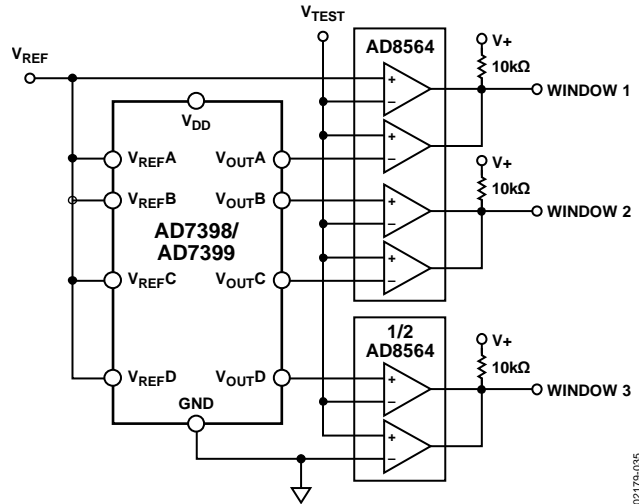


Figure 35. Overlapping Windows Comparator

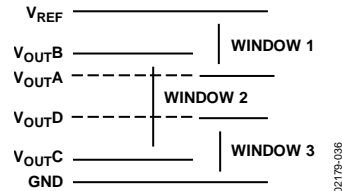


Figure 36. Overlapping Windows Range

The nonoverlapping circuit employs one AD7398/AD7399 and ten comparators to achieve five voltage windows. These windows range between  $V_{REF}$  and analog ground as shown in Figure 34. Similarly, the overlapping circuit employs six comparators to achieve three overlapping windows (see Figure 36).

**PROGRAMMABLE DAC REFERENCE VOLTAGE**

With the flexibility of the AD7398/AD7399, one of the internal DACs can be used to control a common programmable  $V_{REFX}$  for the remainder of the DACs.

The circuit configuration is shown in Figure 37. The relationship of  $V_{REFX}$  to  $V_{REF}$  is dependent upon the digital code and the ratio of  $R1$  and  $R2$ , and is given by

$$V_{REFX} = V_{REF} \times \left(1 + \frac{R2}{R1}\right) - V_{REFX} \times \frac{D}{2^N} \times \frac{R2}{R1} \tag{4}$$

$$V_{REFX} = \frac{V_{REF} \times \left(1 + \frac{R2}{R1}\right)}{\left(1 + \frac{D}{2^N} \times \frac{R2}{R1}\right)} \tag{5}$$

where:

$D$  = decimal equivalent of input code.

$N$  = number of bits.

$V_{REF}$  = applied external reference.

$V_{REFX}$  = reference voltage for DAC A to DAC D.

Table 7.  $V_{REFX}$  vs.  $R1$  and  $R2$

R1, R2	Digital Code	$V_{REFX}$
$R1 = R2$	0000 0000 0000	$2 V_{REF}$
$R1 = R2$	1000 0000 0000	$1.3 V_{REF}$
$R1 = R2$	1111 1111 1111	$V_{REF}$
$R1 = 3R2$	0000 0000 0000	$4 V_{REF}$
$R1 = 3R2$	1000 0000 0000	$1.6 V_{REF}$
$R1 = 3R2$	1111 1111 1111	$V_{REF}$

The accuracy of  $V_{REFX}$  is affected by the quality of  $R1$  and  $R2$ . Therefore, tight tolerance, low tempco, thin film resistors should be used.

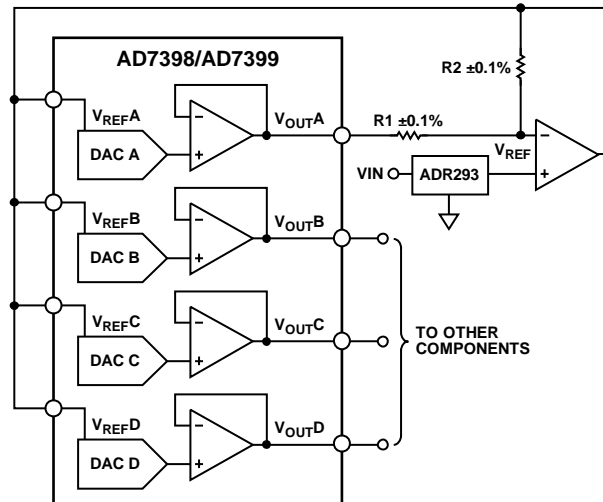
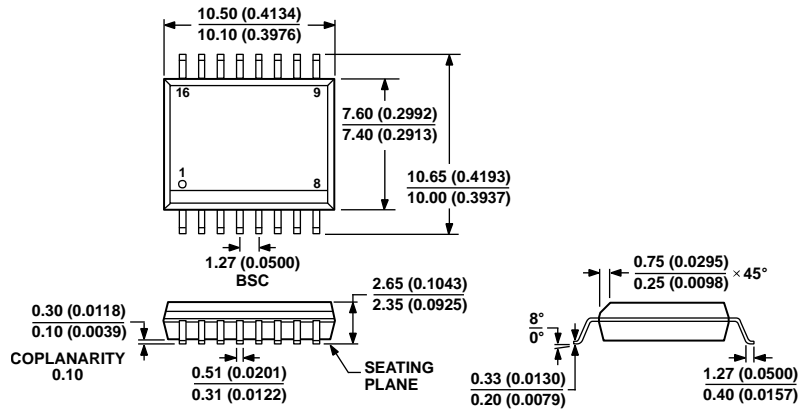


Figure 37. Programmable DAC Reference

02179A037

OUTLINE DIMENSIONS

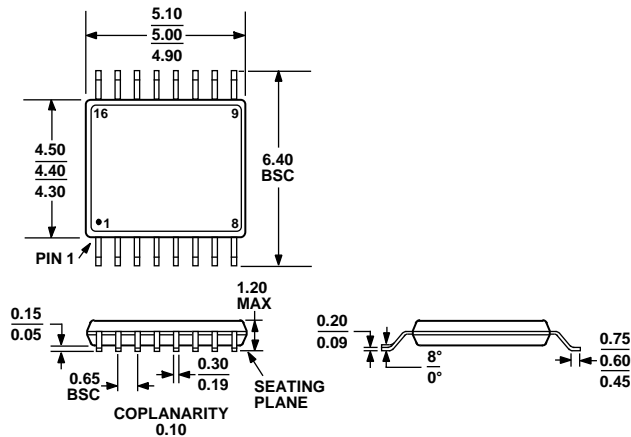


COMPLIANT TO JEDEC STANDARDS MS-013-AA  
 CONTROLLING DIMENSIONS ARE IN MILLIMETERS; INCH DIMENSIONS  
 (IN PARENTHESES) ARE ROUNDED-OFF MILLIMETER EQUIVALENTS FOR  
 REFERENCE ONLY AND ARE NOT APPROPRIATE FOR USE IN DESIGN.

Figure 38. 16-Lead Standard Small Outline Package [SOIC\_W]  
 Wide Body  
 (RW-16)

Dimensions shown in millimeters and (inches)

03-27-2007-B



COMPLIANT TO JEDEC STANDARDS MO-153-AB

Figure 39. 16-Lead Thin Shrink Small Outline Package [TSSOP]  
 (RU-16)

Dimensions shown in millimeters

**ORDERING GUIDE**

Model <sup>1,2</sup>	Resolution (Bits)	Temperature Range	Package Description	Package Option	Ordering Quantity
AD7398BR	12	-40°C to +125°C	16-Lead SOIC_W	RW-16	47
AD7398BR-REEL	12	-40°C to +125°C	16-Lead SOIC_W	RW-16	1,000
AD7398BRZ	12	-40°C to +125°C	16-Lead SOIC_W	RW-16	47
AD7398BRZ-REEL	12	-40°C to +125°C	16-Lead SOIC_W	RW-16	1,000
AD7398BRU	12	-40°C to +125°C	16-Lead TSSOP	RU-16	96
AD7398BRU-REEL7	12	-40°C to +125°C	16-Lead TSSOP	RU-16	1,000
AD7398BRUZ	12	-40°C to +125°C	16-Lead TSSOP	RU-16	96
AD7398BRUZ-REEL7	12	-40°C to +125°C	16-Lead TSSOP	RU-16	1,000
AD7398WBRUZ-RL7	12	-40°C to +125°C	16-Lead TSSOP	RU-16	1,000
AD7399BR	10	-40°C to +125°C	16-Lead SOIC_W	RW-16	47
AD7399BR-REEL	10	-40°C to +125°C	16-Lead SOIC_W	RW-16	1,000
AD7399BRZ	10	-40°C to +125°C	16-Lead SOIC_W	RW-16	47
AD7399BRZ-REEL	10	-40°C to +125°C	16-Lead SOIC_W	RW-16	1,000
AD7399BRU	10	-40°C to +125°C	16-Lead TSSOP	RU-16	96
AD7399BRU-REEL7	10	-40°C to +125°C	16-Lead TSSOP	RU-16	1,000
AD7399BRUZ	10	-40°C to +125°C	16-Lead TSSOP	RU-16	96
AD7399BRUZ-REEL7	10	-40°C to +125°C	16-Lead TSSOP	RU-16	1,000

<sup>1</sup> Z = RoHS Compliant Part.

<sup>2</sup> W = Qualified for Automotive Applications.

The AD7398 contains 3254 transistors. The die size measures 108 mils × 144 mils.

**AUTOMOTIVE PRODUCTS**

The AD7398WBRUZ-RL7 model is available with controlled manufacturing to support the quality and reliability requirements of automotive applications. Note that this automotive model may have specifications that differ from the commercial models; therefore, designers should review the Specifications section of this data sheet carefully. Only the automotive grade product shown is available for use in automotive applications. Contact your local Analog Devices account representative for specific product ordering information and to obtain the specific Automotive Reliability reports for this model.

**AD7398/AD7399**

**NOTES**

**NOTES**

**AD7398/AD7399**

**NOTES**

## Looking for pricing, stock, or lifecycle information?

Click below to explore more details on WIN SOURCE:

- ⊖ [View AD7398BRUZ-REEL7 on WIN SOURCE](#)
- ⊖ [Analog Devices Inc. Information](#)

## Optimize Your Supply Chain with WIN SOURCE Solutions

- ✓ Global Sourcing Solution
- ✓ Obsolete Management
- ✓ Cost Control Management
- ✓ Shortage Management
- ✓ Alternative Solution
- ✓ Excess Inventory Management