



**THE DATASHEET OF
ZLDO1117QK50TC**



AUTOMOTIVE COMPLIANT 1A LOW DROPOUT POSITIVE REGULATOR WITH FIXED AND ADJUSTABLE OUTPUTS
Description

The ZLDO1117Q is a low dropout positive adjustable or fixed-mode regulator with 1A output current capability.

The ZLDO1117Q has a 2% tolerance across the industrial temperature range and is guaranteed to have lower than 1.2V dropout at full load current making it ideal to provide well-regulated outputs of 1.2V to 5.0V with input supply voltages up to 18V.

The ZLDO1117Q is ideally suited to provide well-regulated supplies for low voltage IC applications such as high-speed bus termination and low current 3.3V logic supply across the whole industrial temperature range.

The ZLDO1117Q has been qualified to AEC-Q100 Grade 2 and is Automotive Compliant supporting PPAPs.

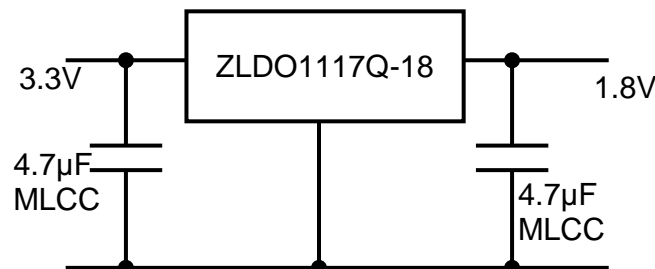
Features

- 1.2V Maximum Dropout at Full Load Current
- 2% Tolerance Over Temperature, Line and Load Variations
- Fast Transient Response
- Output Current Limiting
- Built-in Thermal Shutdown
- Good Noise Rejection
- Suitable for Use with MLCC Capacitors
- -40°C to +105°C Ambient Temperature Range
- Available in TO252 (DPAK) and SOT223 with "Green" Molding Compound (No Br, Sb)
 - **Lead-Free Finish; RoHS Compliant (Notes 1 & 2)**
 - **Halogen and Antimony Free. "Green" Device (Note 3)**
- Automotive Compliant
 - **Qualified to AEC-Q100 Standards for High Reliability**
 - **PPAP Capable (Note 4)**

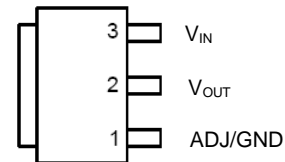
- Notes:
1. EU Directive 2002/95/EC (RoHS) & 2011/65/EU (RoHS 2) compliant. All applicable RoHS exemptions applied.
 2. See http://www.diodes.com/quality/lead_free.html for more information about Diodes Incorporated's definitions of Halogen- and Antimony-free, "Green" and Lead-free.
 3. Halogen- and Antimony-free "Green" products are defined as those which contain <900ppm bromine, <900ppm chlorine (<1500ppm total Br + Cl) and <1000ppm antimony compounds.
 4. Automotive products are AEC-Q100 qualified and are PPAP capable. Refer to http://www.diodes.com/product_compliance_definitions.html.

Typical Applications Circuit

1A I/O – 1.8V Core Regulator


Pin Assignments

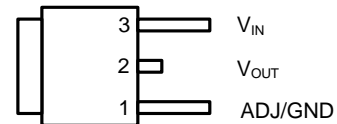
(Top View)



Tab is V_{OUT}

SOT223

(Top View)



Tab is V_{OUT}

TO252 (DPAK)

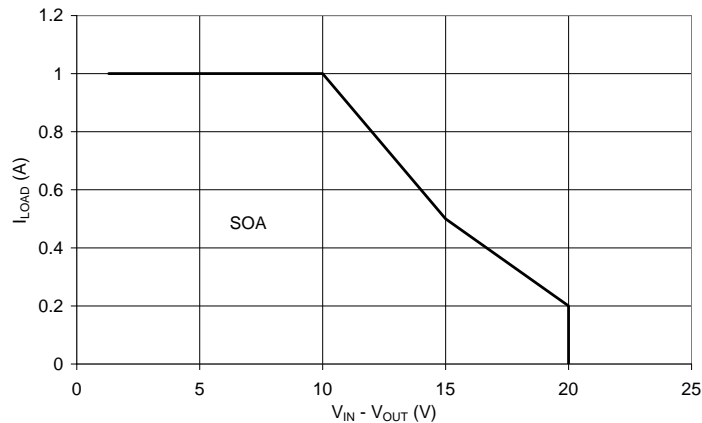
Pin Descriptions

Pin Name	I/O	Pin Number	Function
ADJ/GND	I	1	A resistor divider from this pin to the V _{OUT} pin and ground sets the output voltage (Ground only for Fixed-Mode).
V _{OUT}	O	2	The output of the regulator. A minimum of 4.7µF capacitor (0.05Ω ≤ ESR ≤ 0.5Ω) must be connected from this pin to ground to insure stability. For improved ac load response a larger output capacitor is recommended.
V _{IN}	I	3	The input pin of regulator. Typically a large storage capacitor (0.05Ω ≤ ESR ≤ 0.5Ω) is connected from this pin to ground to ensure that the input voltage does not sag below the minimum dropout voltage during the load transient response. This pin must always be 1.3V higher than V _{OUT} in order for the device to regulate properly.

Absolute Maximum Ratings

Symbol	Parameter	Rating	Unit
V _{IN}	Input Supply Voltage (Relative to Ground)	-0.03 to +18	V
T _J	Junction Temperature	+150	°C
—	Power Dissipation	See SOA Curve	—
T _{ST}	Storage Temperature	-65 to +150	°C

Unless otherwise stated voltages specified are relative to the ADJ/GND pin.



Safe Operation Area (SOA) Curve

ESD Susceptibility			
Symbol	Parameter	Rating	Unit
HBM	Human Body Model	4000	V
MM	Machine Model	400	V
CDM	Charged Device Model	1000	V

Stresses greater than the 'Absolute Maximum Ratings' specified above, may cause permanent damage to the device. These are stress ratings only; functional operation of the device at these or any other conditions exceeding those indicated in this specification is not implied. Device reliability may be affected by exposure to absolute maximum rating conditions for extended periods of time.

Semiconductor devices are ESD sensitive and may be damaged by exposure to ESD events. Suitable ESD precautions should be taken when handling and transporting these devices.

Recommended Operating Conditions

Symbol	Parameter	Min	Max	Unit
V _{IN}	Input Voltage	2.7 (Note 5)	18	V
I _O	Output Current	0.01	1	A
T _J	Operating Junction Temperature Range (Notes 6, 7)	-40	+125	°C
T _A	Operating Ambient Temperature Range (Notes 7, 8)	-40	+105	°C

Package Thermal Data

Thermal Resistance	Package	Rating	Unit
Junction-to-Ambient, θ_{JA}	SOT223 (Note 9)	107	°C/W
	TO252 (DPAK) (Note 10)	73	
Junction-to-Case, θ_{JC}	SOT223 (Note 9)	16	°C/W
	TO252 (DPAK) (Note 10)	12	

- Notes:
- To ensure correct operation without entering dropout V_{IN} must be 1.5V greater than output voltage. Device will continue to operate below this minimum input voltage under dropout conditions.
 - ZLDO1117Q contains an internal thermal limiting circuit that is designed to protect the regulator in the event that the maximum junction temperature exceeded. When activated, typically at +150°C, the regulator Output switches off and then back on as the die cools.
 - The maximum power dissipation is a function of T_{J(max)}, θ_{JA} and T_A. The maximum allowable power dissipation at any ambient temperature is $P_D = (T_{J(max)} - T_A) / \theta_{JA}$.
 - ZLDO1117Q was qualified to AEC-Q100 over the -40°C to +105°C ambient temperature range.
 - Test condition for SOT223: T_A = +27°C, no air flow, device mounted on 2"X2" polyimide PCB, 2 oz copper, 5.6mmX5.6mm pad.
 - Test condition for TO252 (DPAK): T_A = +27°C, no air flow, device mounted on 2"X2" polyimide PCB, 1 oz copper, 2cmX2cm pad.

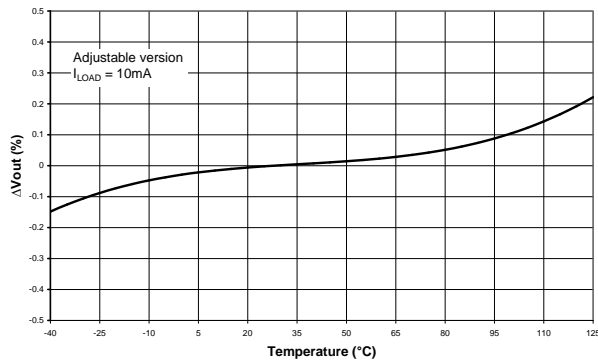
Electrical Characteristics ($T_J = +25^\circ\text{C}$, unless otherwise specified. FT = $-40^\circ\text{C} \leq T_J \leq +125^\circ\text{C}$ Pulse tested such that $T_A = T_J$)

Parameter	Conditions		T_J	Min	Typ	Max	Unit	
Reference Voltage	ZLDO1117Q-ADJ	$(V_{IN} - V_{OUT}) = 2V$, $I_O = 10\text{mA}$	25	1.238	1.250	1.263	V	
		$V_{OUT} + 1.4V < V_{IN} < 10V$, $10\text{mA} < I_O < 1A$	FT	1.225	—	1.275		
Output Voltage	ZLDO1117Q-1.2	$I_O = 10\text{mA}$, $V_{IN} = 3.2V$	25	1.188	1.200	1.212	V	
		$10\text{mA} < I_O < 1A$, $2.7V < V_{IN} < 12V$	FT	1.176	—	1.224		
	ZLDO1117Q-1.5	$I_O = 10\text{mA}$, $V_{IN} = 3.5V$	25	1.485	1.500	1.515	V	
		$0 < I_O < 1A$, $2.9V < V_{IN} < 12V$	FT	1.470	—	1.530		
	ZLDO1117Q-1.8	$I_O = 10\text{mA}$, $V_{IN} = 3.8V$	25	1.782	1.800	1.818	V	
		$0 < I_O < 1A$, $3.2V < V_{IN} < 12V$	FT	1.764	—	1.836		
	ZLDO1117Q-2.5	$I_O = 10\text{mA}$, $V_{IN} = 4.5V$	25	2.475	2.500	2.525	V	
		$0 < I_O < 1A$, $3.9V < V_{IN} < 12V$	FT	2.450	—	2.550		
	ZLDO1117Q-3.3	$I_O = 10\text{mA}$, $V_{IN} = 5.3V$	25	3.267	3.300	3.333	V	
		$0 < I_O < 1A$, $4.7V < V_{IN} < 12V$	FT	3.235	—	3.365		
	ZLDO1117Q-5.0	$I_O = 10\text{mA}$, $V_{IN} = 7V$	25	4.95	5.000	5.05	V	
		$0 < I_O < 1A$, $6.4V < V_{IN} < 12V$	FT	4.900	—	5.100		
	Line Regulation	ZLDO1117Q-ADJ ZLDO1117Q-1.2	$I_O = 10\text{mA}$, $V_{OUT} + 1.5V < V_{IN} < 12V$	25	—	—	0.1	%
				FT	—	—	0.2	
ZLDO1117Q-xx		$I_O = 0\text{mA}$, $V_{OUT} + 1.5V < V_{IN} < 12V$	25	—	—	0.1	%	
			FT	—	—	0.2		
Load Regulation (Notes 11, 12)	ZLDO1117Q-ADJ	$V_{IN} = 3.3V$, $V_{ADJ} = 0$, $10\text{mA} < I_O < 1A$	25	—	—	0.2	%	
			FT	—	—	0.4		
	ZLDO1117Q-1.2	$V_{IN} = 2.7V$, $10\text{mA} < I_O < 1A$	25	—	—	0.2	%	
			FT	—	—	0.4		
	ZLDO1117Q-1.5	$V_{IN} = 3V$, $0 < I_O < 1A$	25	—	—	3	mV	
			FT	—	—	6		
	ZLDO1117Q-1.8	$V_{IN} = 3.3V$, $0 < I_O < 1A$	25	—	—	4	mV	
			FT	—	—	8		
	ZLDO1117Q-2.5	$V_{IN} = 4V$, $0 < I_O < 1A$	25	—	—	5	mV	
			FT	—	—	10		
	ZLDO1117Q-3.3	$V_{IN} = 4.8V$, $0 < I_O < 1A$	25	—	—	6.6	mV	
			FT	—	—	13		
	ZLDO1117Q-5.0	$V_{IN} = 6.5V$, $0 < I_O < 1A$	25	—	—	10	mV	
			FT	—	—	20		
Dropout Voltage ($V_{IN} - V_{OUT}$)	ZLDO1117Q-ADJ/1.2/ 1.5/1.8/2.5/3.3/5.0	$I_O = 1A$, $\Delta V_{OUT} = 1\%V_{OUT}$	25	—	1.11	1.2	V	
			FT	—	—	—		
Current Limit	ZLDO1117Q-ADJ/1.2/ 1.5/1.8/2.5/3.3/5.0	$(V_{IN} - V_{OUT}) = 5V$	25	—	—	—	A	
			FT	1.1	—	—		
Minimum Load Current (Note 13)	ZLDO1117Q-ADJ ZLDO1117Q-1.2	$V_{IN} < 18V$	FT	—	2	5	mA	
Quiescent Current	ZLDO1117Q-xx	$V_{IN} < 18V$, $I_O = 0\text{mA}$	FT	—	4	10	mA	
GND Current	ZLDO1117Q-ADJ ZLDO1117Q-1.2	$V_{IN} = 7V$	FT	—	35	120	μA	
Thermal Regulation	—	30ms pulse	25	—	—	0.1	%/W	
Ripple Rejection	ZLDO1117Q-xx	$V_{IN} = V_{OUT} + 3V$ $f = 120\text{Hz}$, $C_{OUT} = 25\mu\text{F}$ Tantalum, $I_{OUT} = 100\text{mA}$	25	60	80	—	dB	
Temperature Stability	—	$I_O = 10\text{mA}$	—	—	0.5	—	%	

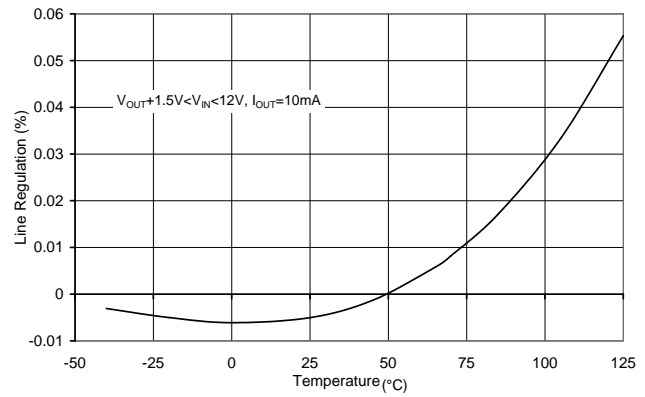
- Notes:
- See thermal regulation specifications for changes in output voltage due to heating effects. Line and load regulation are measured at a constant junction temperature by low duty cycle pulse testing. Load regulation is measured at the output lead = 1/18" from the package.
 - Line and load regulation are guaranteed up to the maximum power dissipation of 15W. Power dissipation is determined by the difference between input and output differential and the output current. Guaranteed maximum power dissipation will not be available over the full input/output range.
 - The minimum Load current is defined as the minimum output current required to maintain voltage regulation. This output current can be made up of either load current itself and/or the current delivered to the output voltage setting feedback resistors.

Typical Characteristics

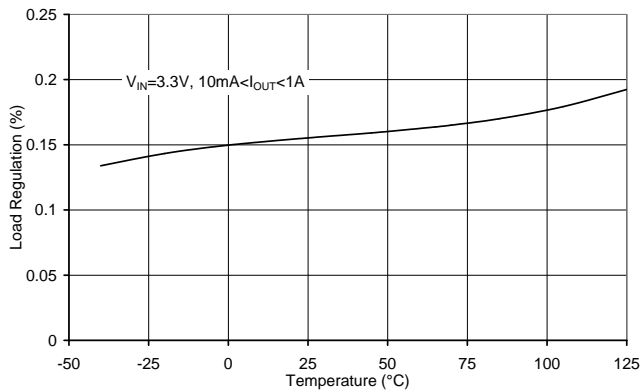
Output Voltage Variation vs. Temperature



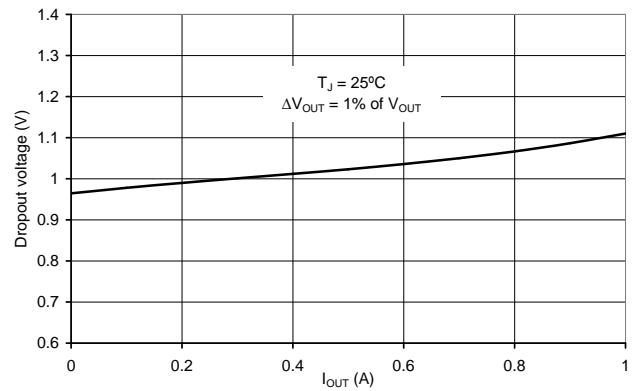
Line Regulation vs. Temperature



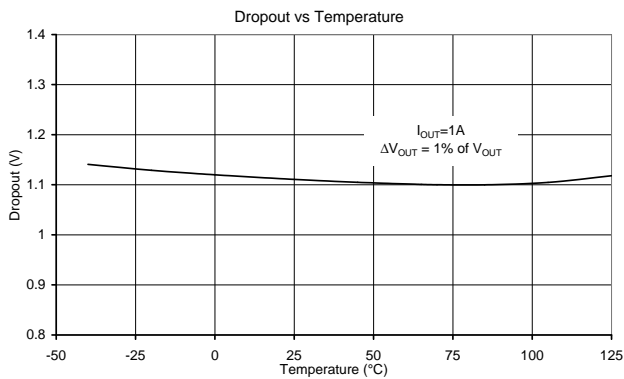
Load Regulation vs. Temperature



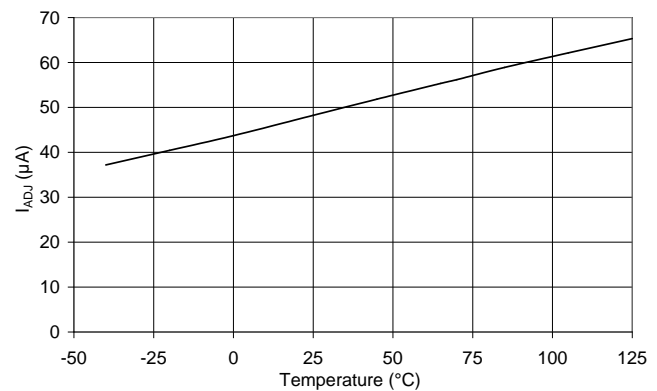
Drop-Out Voltage vs. Current



Drop-Out Voltage vs. Temperature

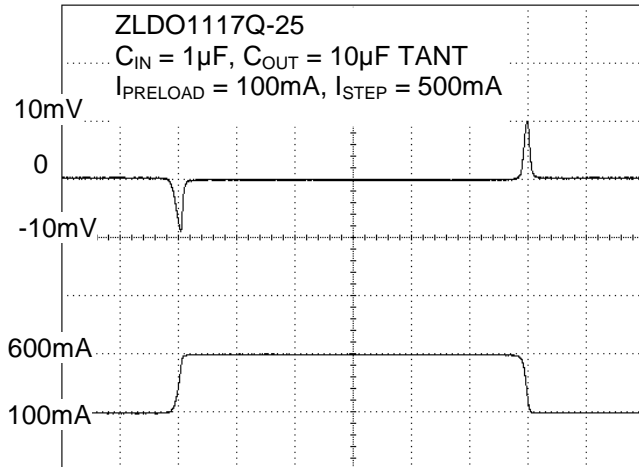


Adjust Pin Input Current

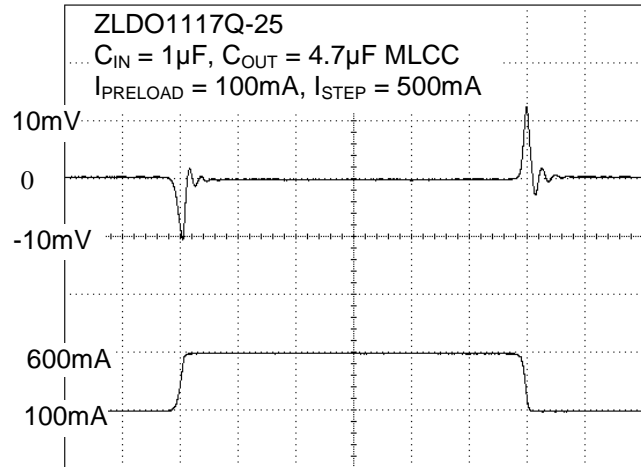


Typical Characteristics (Cont.)

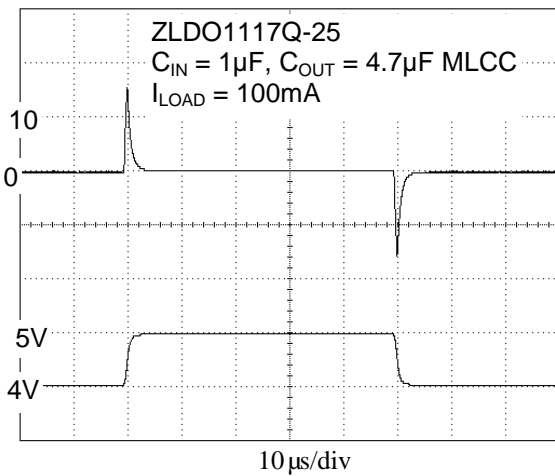
Transient Load Regulation with 10µF Tantalum Capacitor



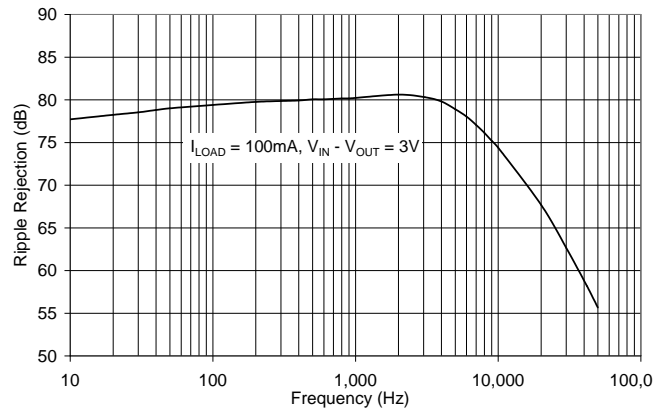
Transient Load Regulation with 4.7µF MLCC Capacitor



Transient Line Regulation with 4.7µF MLCC Capacitor



Ripple Rejection



Application Information

The ZLDO1117Q family of quasi-LDO regulators is easy to use. They are protected against short circuit and thermal overloads.

Thermal protection circuitry will shut down the regulator should the junction temperature exceed +150°C at the sense point. The ZLDO1117Q is pin compatible with similar '1117 regulators and offers extended temperature range and improved regulation specifications.

Operation

The ZLDO1117Q develops a 1.25V reference voltage between the output and the adjust terminal. By placing a resistor between these two terminals, a constant current is caused to flow through R1 and down through R2. For fixed output variants Resistors R1 and R2 are internal.

Stability

The ZLDO1117Q requires an output capacitor as part of the device frequency compensation. As part of its improved performance over industry standard 1117 the ZLDO1117Q is suitable for use with MLCC (Multi Layer Ceramic Chip) capacitors. A minimum of 4.7µF ceramic X7R, 4.7µF tantalum, or 47µF of aluminum electrolytic is required. The ESR of the output capacitor should be less than 0.5Ω. Surface mount tantalum capacitors, which have very low ESR, are available from several manufacturers. When using MLCC capacitors avoid the use of Y5V dielectrics.

Load Regulation

For improved load regulation the ZLDO1117Q-ADJ should have the upper feedback resistor, R1, connected as close as possible to V_{OUT} and the lower resistor, R2, connected as close as possible to the load GND return. This helps reduce any parasitic resistance in series with the load.

Thermal Considerations

ZLDO1117Q series regulators have internal thermal limiting circuitry designed to protect the device during overload conditions. For continuous normal load conditions however, the maximum junction temperature rating of +125°C must not be exceeded.

It is important to give careful consideration to all sources of thermal resistance from junction to ambient. For the SOT223 and TO252 (DPAK) packages, which are designed to be surface mounted, additional heat sources mounted near the device must also be considered. Heat sinking is accomplished using the heat spreading capability of the PCB and its copper traces. The θ_{JC} (junction to tab) of the TO252 (DPAK) and SOT223 are +12°C/W and +16°C/W respectively.

Thermal resistances from tab to ambient can be as low as +30°C/W. The total thermal resistance from junction to ambient can be as low as +42 to +46°C/W. This requires a reasonable sized PCB with at least one layer of copper to spread the heat across the board and couple it into the surrounding air. Datasheet specifications using 2 oz copper and a 5mmx5mm pad with T_A = +27°C, no air flow yielded θ_{JA} (junction to tab) of +73°C/W and +107°C/W for TO252 (DPAK) and SOT223 respectively.

The thermal resistance for each application will be affected by thermal interactions with other components on the board. Some experimentation will be necessary to determine the actual value.

Ripple Rejection

When using the ZLDO1117Q adjustable device the adjust terminal can be bypassed to improve ripple rejection. When the adjust terminal is bypassed the required value of the output capacitor increases.

The device will require an output capacitor of 22µF tantalum or 150µF aluminum electrolytic when the adjust pin is bypassed. Normally, capacitor values on the order of 100µF are used in the output of many regulators to ensure good load transient response with large load current changes. Output capacitance can be increased without limit and larger values of output capacitance further improve stability and transient response.

The curves for Ripple Rejection were generated using an adjustable device with the adjust pin bypassed. These curves will hold true for all values of output voltage. For proper bypassing, and ripple rejection approaching the values shown, the impedance of the adjust pin capacitor, at the ripple frequency, should be < R1. R1 is normally in the range of 100Ω to 200Ω. The size of the required adjust pin capacitor is a function of the input ripple frequency. At 120Hz, with R1 = 100Ω, the adjust pin capacitor should be >13µF. At 10kHz only 0.16µF is needed.

For fixed voltage devices, and adjustable devices without an adjust pin capacitor, the output ripple will increase as the ratio of the output voltage to the reference voltage (V_{OUT}/V_{REF}). For example, with the output voltage equal to 5V, the output ripple will be increased by the ratio of 5V/1.25V. It will increase by a factor of four. Ripple rejection will be degraded by 12dB from the value shown on the curve.

More Application Circuits

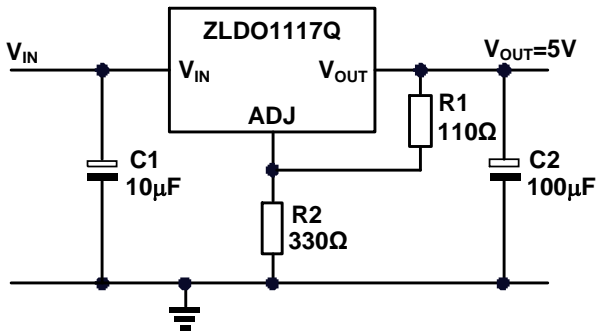


Figure 1. Basic Adjustable Regulator with 5V Output

Using

$$V_{OUT} = 1.25 \cdot \left\{ 1 + \frac{R2}{R1} \right\}$$

then the output voltage becomes:

$$V_{OUT} = 1.25 \cdot \left\{ 1 + \frac{330}{110} \right\} = 5.0V$$

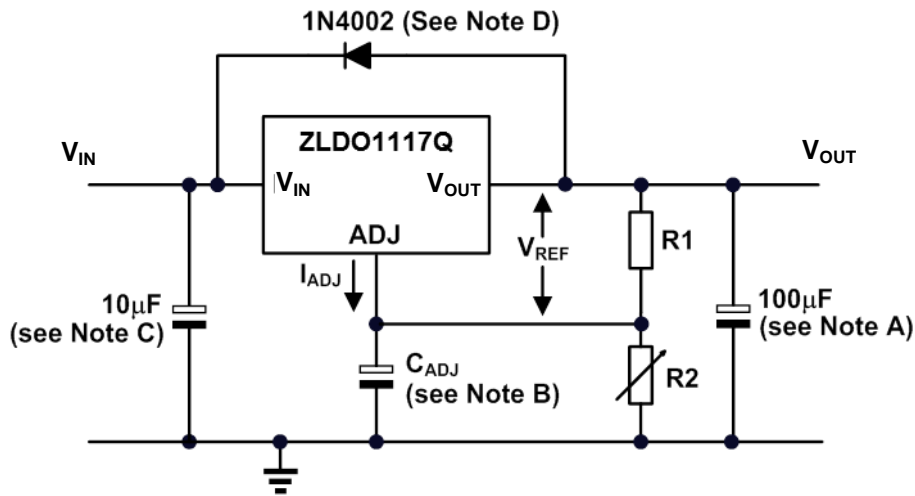


Figure 2. Adjustable Regulator with I_{ADJ} Errors

$$V_{OUT} = 1.25 \cdot \left\{ 1 + \frac{R2}{R1} \right\} + I_{ADJ} \cdot R2$$

Because I_{ADJ} typically is 55µA, its effect is negligible in most applications.

$$V_{OUT} = 1.25 \cdot \left\{ 1 + \frac{330}{110} + 55 \cdot 10^{-6} \cdot 330 \right\} = 5.02V \sim 0.4\%$$

- A. Output capacitor selection is critical for regulator stability. Larger C_{OUT} values benefit the regulator by improving transient response and loop stability.
- B. C_{ADJ} can be used to improve ripple rejection. If C_{ADJ} is used, a C_{OUT} that is larger in value than C_{ADJ} must be used.
- C. C_{IN} is recommended if ZLDO1117Q is not located near the power supply filter.
- D. An external diode is recommended to protect the regulator if the input instantaneously is shorted to GND.
- E. This device is designed to be stable with tantalum and MLCC capacitors with an ESR less than 0.47Ω.

More Application Circuits (Cont.)

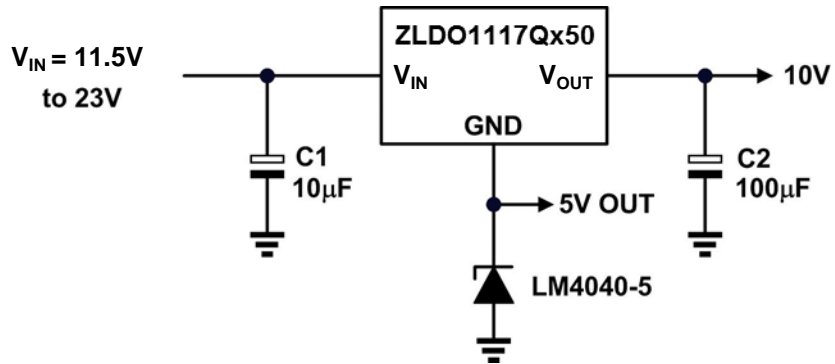


Figure 3. ZLDO1117Q with Extended Output Voltage

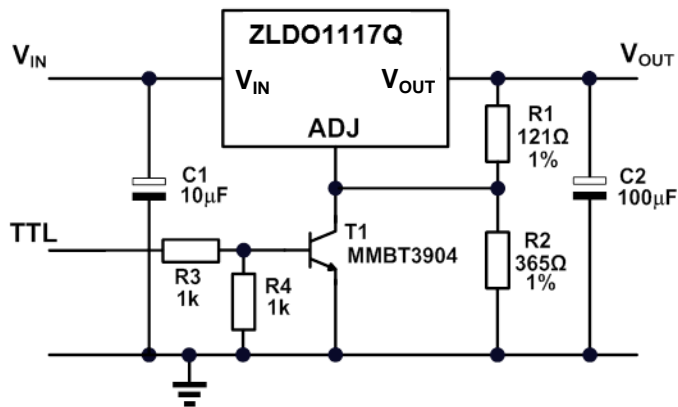
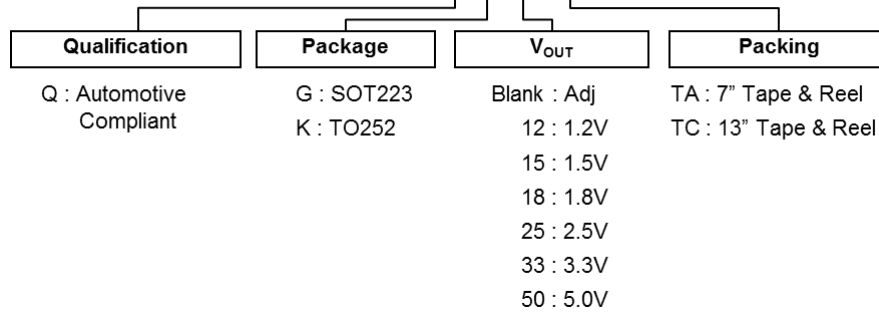


Figure 4. ZLDO1117Q with Disable Function

Ordering Information

ZLDO1117 Q X XX XX

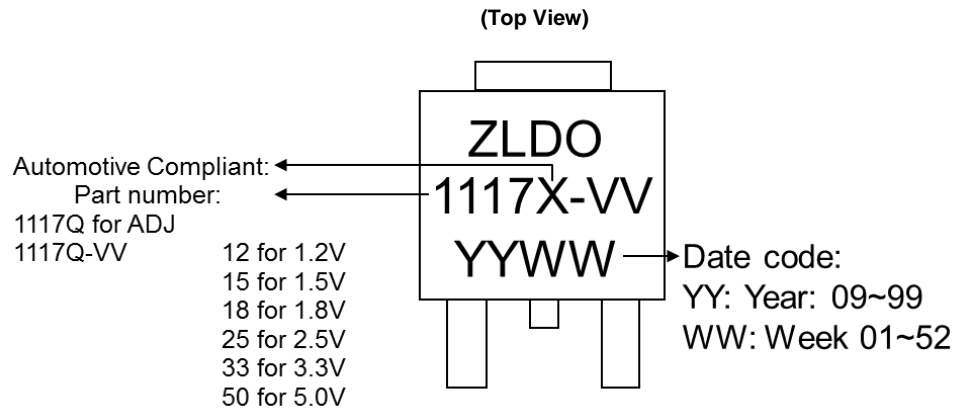


Part Number	Output Voltage	Packaging (Note 14)	Package Code	Packing: Tape & Reel				Qualification Grade (Note 15)
				Quantity per reel	Tape width	Reel size	Part Number Suffix	
ZLDO1117QKTC	Adjustable	TO252 (DPAK)	K	2500	16 mm	13"	TC	Automotive Compliant
ZLDO1117QGTA		SOT223	G	1000	12 mm	7"	TA	Automotive Compliant
ZLDO1117QK12TC	1.2V	TO252 (DPAK)	K	2500	16 mm	13"	TC	Automotive Compliant
ZLDO1117QG12TA		SOT223	G	1000	12 mm	7"	TA	Automotive Compliant
ZLDO1117QK15TC	1.5V	TO252 (DPAK)	K	2500	16 mm	13"	TC	Automotive Compliant
ZLDO1117QG15TA		SOT223	G	1000	12 mm	7"	TA	Automotive Compliant
ZLDO1117QK18TC	1.8V	TO252 (DPAK)	K	2500	16 mm	13"	TC	Automotive Compliant
ZLDO1117QG18TA		SOT223	G	1000	12 mm	7"	TA	Automotive Compliant
ZLDO1117QK25TC	2.5V	TO252 (DPAK)	K	2500	16 mm	13"	TC	Automotive Compliant
ZLDO1117QG25TA		SOT223	G	1000	12 mm	7"	TA	Automotive Compliant
ZLDO1117QK33TC	3.3V	TO252 (DPAK)	K	2500	16 mm	13"	TC	Automotive Compliant
ZLDO1117QG33TA		SOT223	G	1000	12 mm	7"	TA	Automotive Compliant
ZLDO1117QK50TC	5.0V	TO252 (DPAK)	K	2500	16 mm	13"	TC	Automotive Compliant
ZLDO1117QG50TA		SOT223	G	1000	12 mm	7"	TA	Automotive Compliant

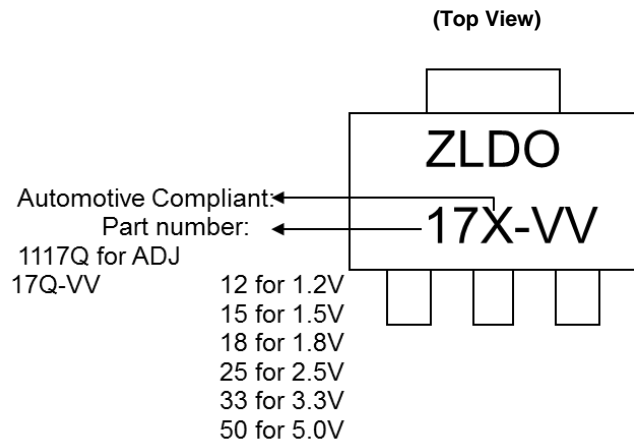
Notes: 14. Pad layout as shown in Diodes Incorporated's package outline PDFs, which can be found on our website at <http://www.diodes.com/package-outlines.html>.
 15. ZLDO1117Q has been qualified to AEC-Q100 grade 2 over a -40 to +105°C ambient temperature range and is classified as "Automotive Compliant" supporting PPAP documentation. See ZLDO1117 datasheet for commercial qualified versions.

Marking Information

(1) TO252 (DPAK)



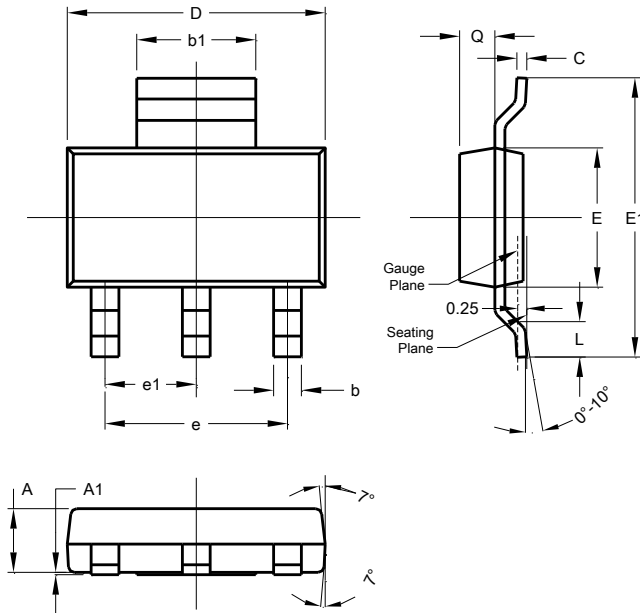
(2) SOT223



Package Outline Dimensions

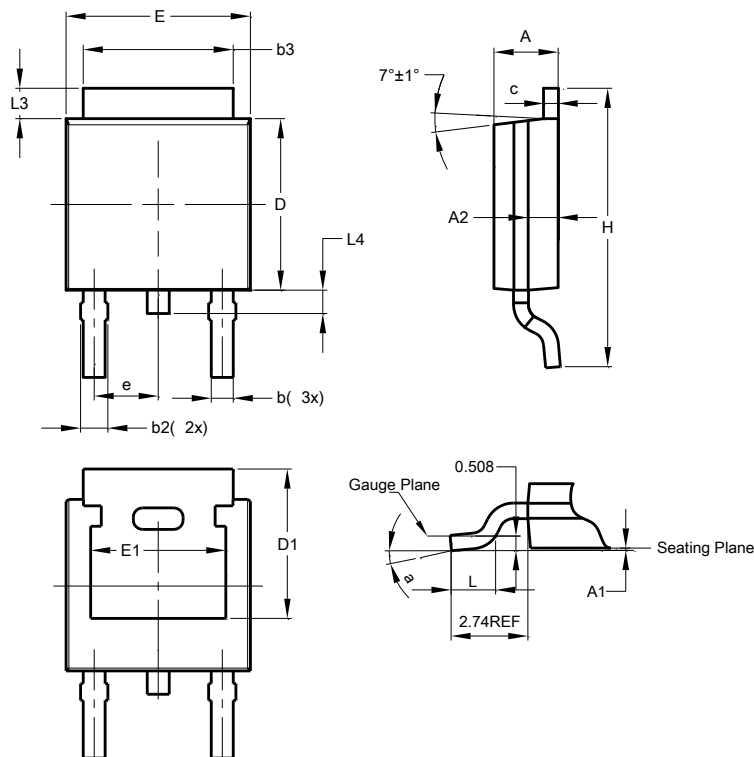
Please see <http://www.diodes.com/package-outlines.html> for the latest version.

(1) Package Type: SOT223



SOT223			
Dim	Min	Max	Typ
A	1.55	1.65	1.60
A1	0.010	0.15	0.05
b	0.60	0.80	0.70
b1	2.90	3.10	3.00
C	0.20	0.30	0.25
D	6.45	6.55	6.50
E	3.45	3.55	3.50
E1	6.90	7.10	7.00
e	-	-	4.60
e1	-	-	2.30
L	0.85	1.05	0.95
Q	0.84	0.94	0.89
All Dimensions in mm			

(2) Package Type: TO252 (DPAK)

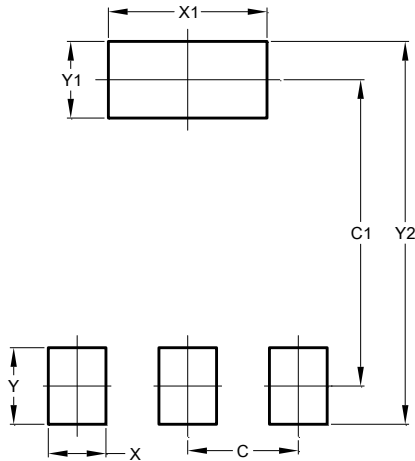


TO252 (DPAK)			
Dim	Min	Max	Typ
A	2.19	2.39	2.29
A1	0.00	0.13	0.08
A2	0.97	1.17	1.07
b	0.64	0.88	0.783
b2	0.76	1.14	0.95
b3	5.21	5.46	5.33
c	0.45	0.58	0.531
D	6.00	6.20	6.10
D1	5.21	-	-
e	-	-	2.286
E	6.45	6.70	6.58
E1	4.32	-	-
H	9.40	10.41	9.91
L	1.40	1.78	1.59
L3	0.88	1.27	1.08
L4	0.64	1.02	0.83
a	0°	10°	-
All Dimensions in mm			

Suggested Pad Layout

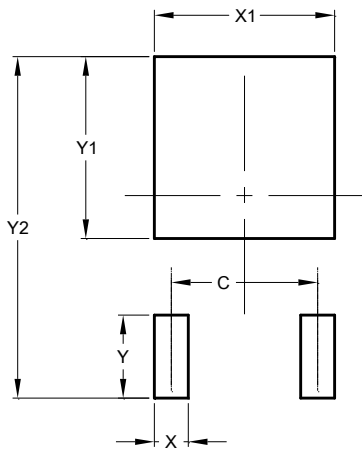
Please see <http://www.diodes.com/package-outlines.html> for the latest version.

(1) Package Type: SOT223



Dimensions	Value (in mm)
C	2.30
C1	6.40
X	1.20
X1	3.30
Y	1.60
Y1	1.60
Y2	8.00

(2) Package Type: TO252 (DPAK)



Dimensions	Value (in mm)
C	4.572
X	1.060
X1	5.632
Y	2.600
Y1	5.700
Y2	10.700

IMPORTANT NOTICE

DIODES INCORPORATED MAKES NO WARRANTY OF ANY KIND, EXPRESS OR IMPLIED, WITH REGARDS TO THIS DOCUMENT, INCLUDING, BUT NOT LIMITED TO, THE IMPLIED WARRANTIES OF MERCHANTABILITY AND FITNESS FOR A PARTICULAR PURPOSE (AND THEIR EQUIVALENTS UNDER THE LAWS OF ANY JURISDICTION).

Diodes Incorporated and its subsidiaries reserve the right to make modifications, enhancements, improvements, corrections or other changes without further notice to this document and any product described herein. Diodes Incorporated does not assume any liability arising out of the application or use of this document or any product described herein; neither does Diodes Incorporated convey any license under its patent or trademark rights, nor the rights of others. Any Customer or user of this document or products described herein in such applications shall assume all risks of such use and will agree to hold Diodes Incorporated and all the companies whose products are represented on Diodes Incorporated website, harmless against all damages.

Diodes Incorporated does not warrant or accept any liability whatsoever in respect of any products purchased through unauthorized sales channel. Should Customers purchase or use Diodes Incorporated products for any unintended or unauthorized application, Customers shall indemnify and hold Diodes Incorporated and its representatives harmless against all claims, damages, expenses, and attorney fees arising out of, directly or indirectly, any claim of personal injury or death associated with such unintended or unauthorized application.

Products described herein may be covered by one or more United States, international or foreign patents pending. Product names and markings noted herein may also be covered by one or more United States, international or foreign trademarks.

This document is written in English but may be translated into multiple languages for reference. Only the English version of this document is the final and determinative format released by Diodes Incorporated.

LIFE SUPPORT

Diodes Incorporated products are specifically not authorized for use as critical components in life support devices or systems without the express written approval of the Chief Executive Officer of Diodes Incorporated. As used herein:

A. Life support devices or systems are devices or systems which:

1. are intended to implant into the body, or
2. support or sustain life and whose failure to perform when properly used in accordance with instructions for use provided in the labeling can be reasonably expected to result in significant injury to the user.

B. A critical component is any component in a life support device or system whose failure to perform can be reasonably expected to cause the failure of the life support device or to affect its safety or effectiveness.

Customers represent that they have all necessary expertise in the safety and regulatory ramifications of their life support devices or systems, and acknowledge and agree that they are solely responsible for all legal, regulatory and safety-related requirements concerning their products and any use of Diodes Incorporated products in such safety-critical, life support devices or systems, notwithstanding any devices- or systems-related information or support that may be provided by Diodes Incorporated. Further, Customers must fully indemnify Diodes Incorporated and its representatives against any damages arising out of the use of Diodes Incorporated products in such safety-critical, life support devices or systems.

Copyright © 2016, Diodes Incorporated

www.diodes.com

Looking for pricing, stock, or lifecycle information?

Click below to explore more details on WIN SOURCE:

 [View ZLDO1117QK50TC on WIN SOURCE](#)

 [Diodes Incorporated](#) Information

Optimize Your Supply Chain with WIN SOURCE Solutions

-  Global Sourcing Solution
-  Obsolete Management
-  Cost Control Management
-  Shortage Management
-  Alternative Solution
-  Excess Inventory Management