

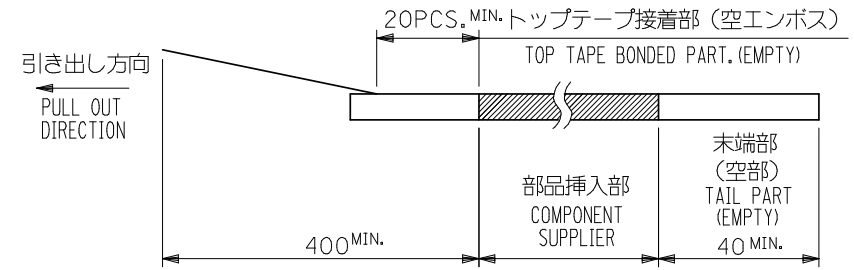


**THE DATASHEET OF**  
**539291078**

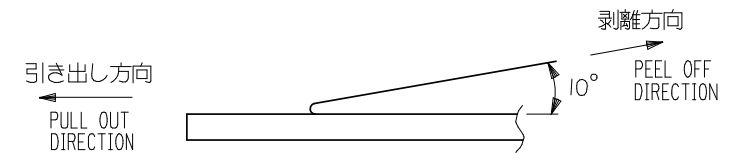


注記 NOTES.

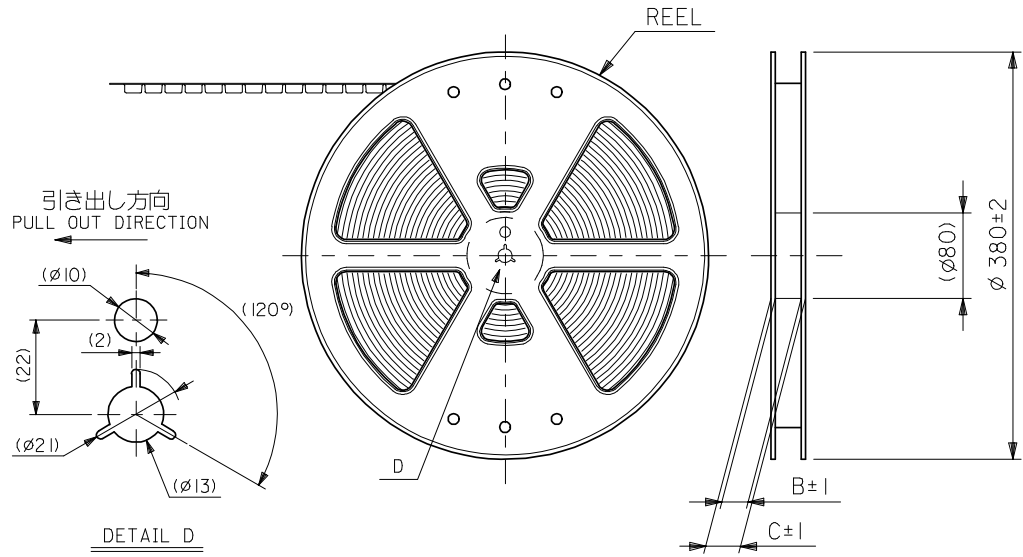
- 製品詳細寸法については図面 SD-53929-005 を参照下さい。  
RE DETAILED DIMENSION, SEE SD-53929-005.
- 梱包数量：3000個/リール  
NUMBER OF CONNECTORS : 3000PCS/REEL
- リードテープ長さ LEAD TAPE LENGTH



- トップテープの剥離強度：0.1～1.3N {10～130gf}  
(剥離方向は下図参照)  
尚、本規格値は出荷時に適用。(但し、輸送時に剥離が発生しないこと。)  
PEELING OFF FORCE OF TOP TAPE : 0.1～1.3N {10～130gf}  
(PEELING DIRECTION AS SHOWN IN FOLLOWING FIG.)  
THIS REQUIREMENT SHOULD BE APPLIED AT SHIPMENT.  
PEEL OFF SHOULD NOT BE ALLOWED , DURING TRANSPORTATION.



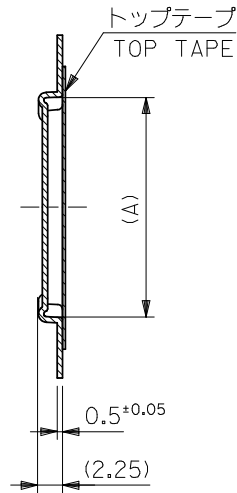
- 材料 (MATERIAL)  
キャリアテープ (CARRIER TAPE) : ポリプロピレン (POLYPROPYLENE)  
トップテープ (TOPTAPE) : PET , PE , PEF  
リール (REEL) : ポリスチレン (PS) <リサイクル材を含む>  
POLYSTYREN (PS) <RECYCLE MATERIAL CONTAINED>
- 本製品は 53929-\*\*\*8 の鉛フリー品である。  
THIS PRODUCT IS LEAD FREE OF 53929-\*\*\*8.



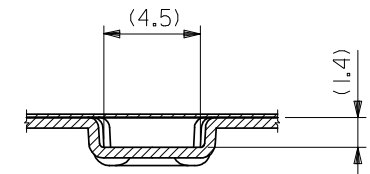
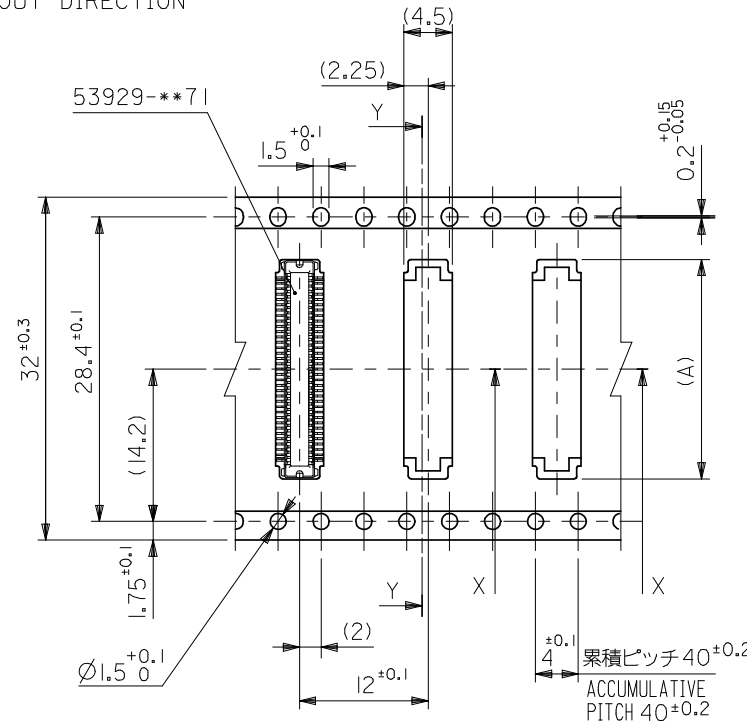
MODEL NO. 53929-\*\*\*78

REVISED EC NO: J2008-3821 DRW:K INOSHITAA 2008/05/07 CHKD:T HARUYAMA 2008/05/07 APPR:NUKITA 2008/05/12	GENERAL TOLERANCES (UNLESS SPECIFIED)		DIMENSION STYLE MM ONLY		SCALE ---	DESIGN UNITS METRIC	THIRD ANGLE PROJECTION	
	10 UNDER	± ---	DRAWN BY H. KAWABATA	DATE '04/3/15	TITLE 0.5 BTB CONN PLUG ASSY WITH NAIL EMBSTP PKG -LEAD FREE-			
	10 OVER 30 UNDER	± ---	CHECKED BY K. TOJO	DATE '04/3/15				
	30 OVER	± ---	APPROVED BY M. SASAO	DATE '04/3/15	MOLEX INCORPORATED			
	ANGULAR	± --- °	MATERIAL NO.					
	DRAFT WHERE APPLICABLE MUST REMAIN WITHIN DIMENSIONS		SEE TABLE		SD-53929-006		1 OF 3	
SIZE A3		THIS DRAWING CONTAINS INFORMATION THAT IS PROPRIETARY TO MOLEX INCORPORATED AND SHOULD NOT BE USED WITHOUT WRITTEN PERMISSION						

引き出し方向  
PULL OUT DIRECTION



SECT. Y-Y



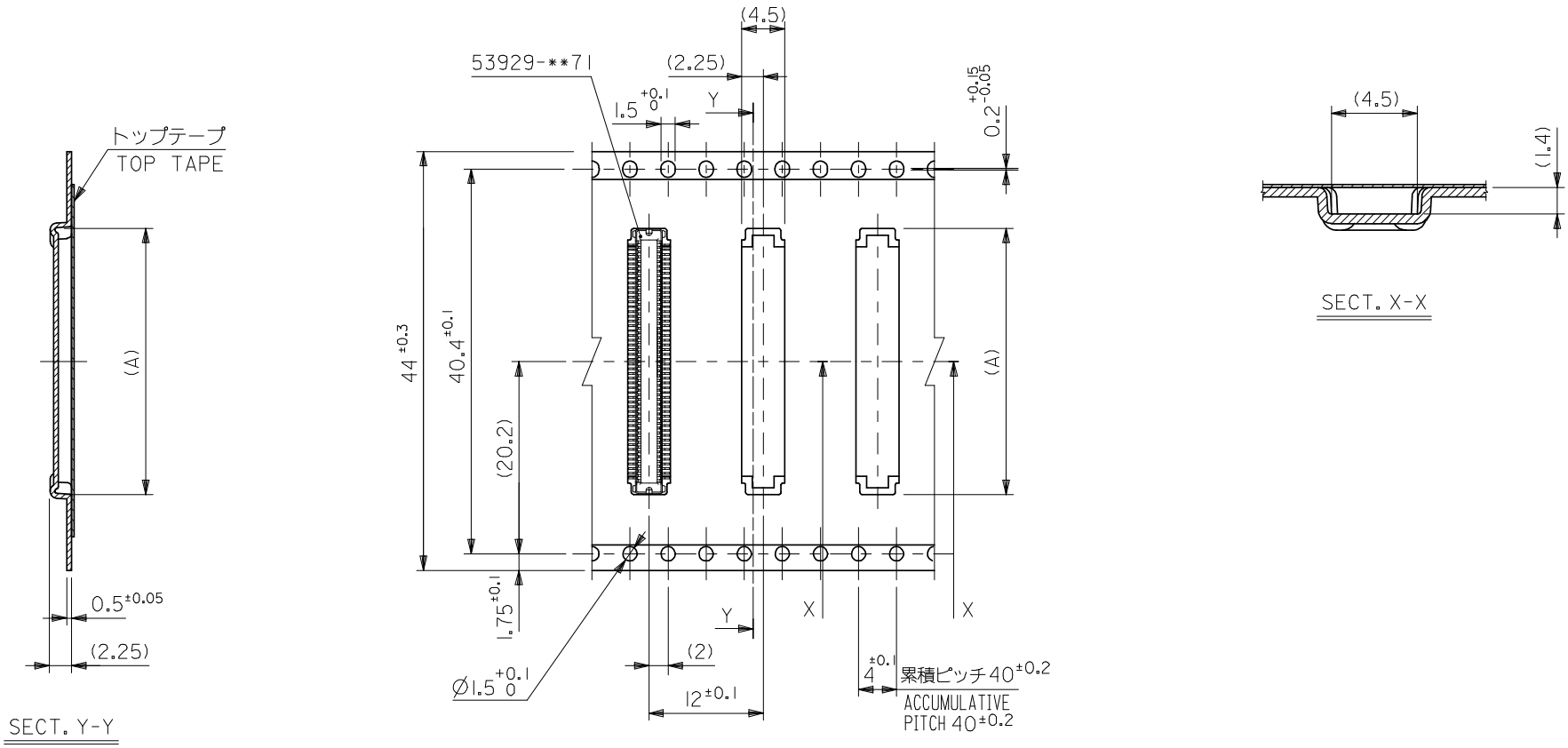
SECT. X-X

32mm幅キャリアテープ  
32mm WIDTH CARRIER TAPE

MODEL NO.	53929-**78	32	37.4	33.4	20.45	53929-0778	70
		キャリアテープ幅 CARRIER TAPE WIDTH	C	B	(A)	MATERIAL NO.	極数 CKT.

REVISED EC NO: J2008-3821 DRW: K. INOSHITA 2008/05/07 CHK: T. HARUYAMA 2008/05/07 APPR: NUKITA 2008/05/12	GENERAL TOLERANCES (UNLESS SPECIFIED)		DIMENSION STYLE MM ONLY		SCALE ---	DESIGN UNITS METRIC	THIRD ANGLE PROJECTION	
	10 UNDER	±---	DRAWN BY H. KAWABATA	DATE '04/3/5	TITLE 0.5 BTB CONN PLUG ASSY WITH NAIL EMBSTP PKG -LEAD FREE-			
	10 OVER 30 UNDER	±---	CHECKED BY K. TOJO	DATE '04/3/5				
	30 OVER	±---	APPROVED BY M. SASAO	DATE '04/3/5	MOLEX INCORPORATED			
	ANGULAR	±--- °	MATERIAL NO.	DOCUMENT NO.				
DRAFT WHERE APPLICABLE MUST REMAIN WITHIN DIMENSIONS		SEE TABLE		SD-53929-006		2 OF 3		

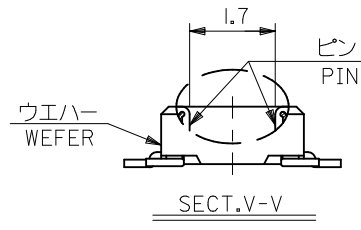
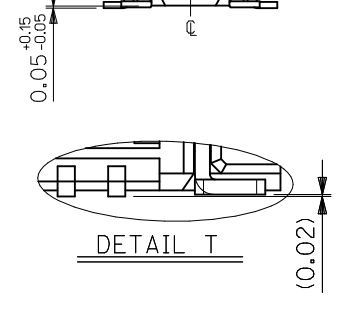
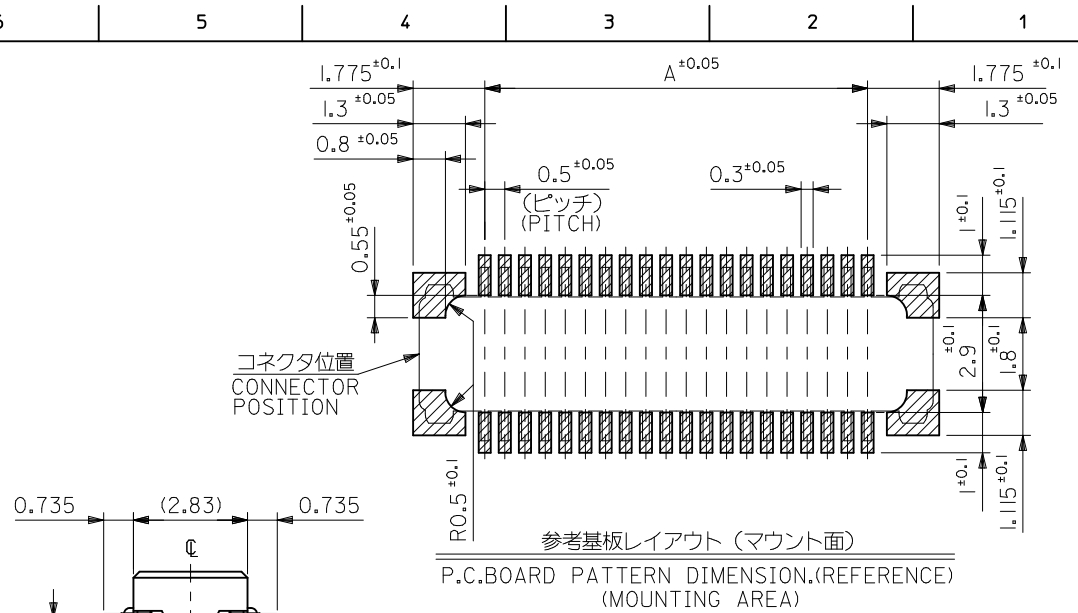
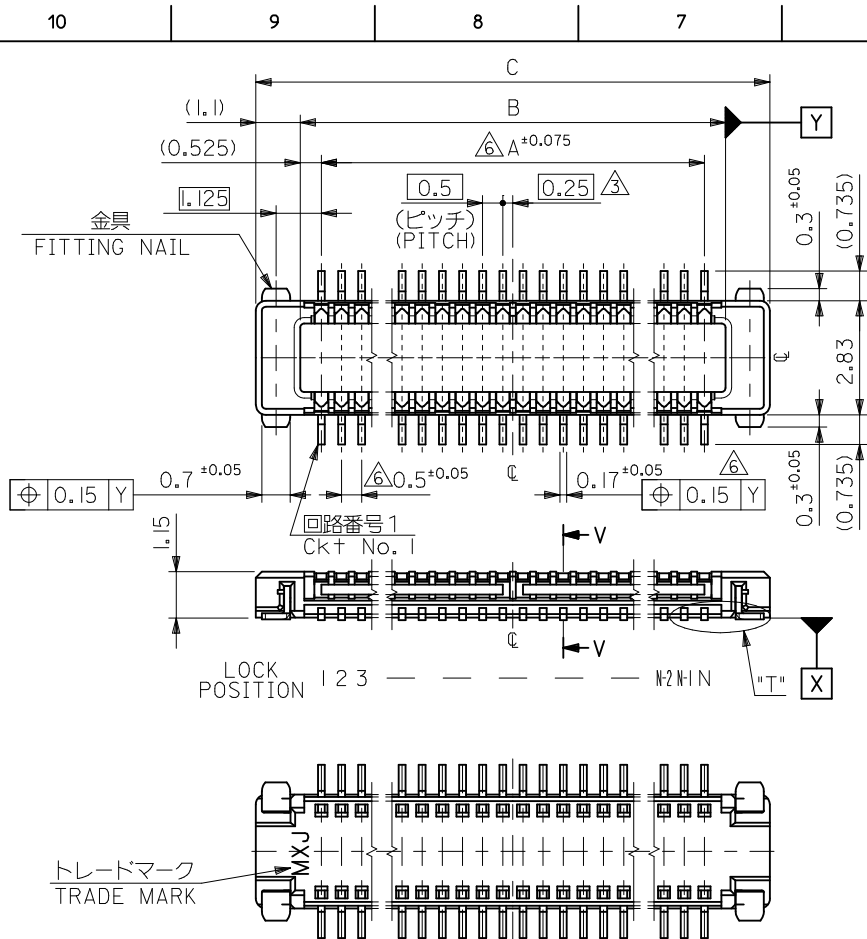
引き出し方向  
PULL OUT DIRECTION



44mm幅キャリアテープ  
44mm WIDTH CARRIER TAPE

44	49.4	45.4	27.95	53929-1078	100
			22.95	53929-0878	80
MODEL NO.	53929-**78	キャリアテープ幅 CARRIER TAPE WIDTH	C	B	(A)
				MATERIAL NO.	極数 CKT

REVISED EC NO: J2008-3821 DRW:K INOSHITAA 2008/05/07 CHK:D T HARUYAMA 2008/05/07 APPR: NUKITA 2008/05/12	GENERAL TOLERANCES (UNLESS SPECIFIED)		DIMENSION STYLE MM ONLY		SCALE ---	DESIGN UNITS METRIC	THIRD ANGLE PROJECTION	
	10 UNDER	± ---	DRAWN BY H. KAWABATA	DATE '04/3/15	TITLE 0.5 BTB CONN PLUG ASSY WITH NAIL EMBSTP PKG -LEAD FREE-			
	10 OVER 30 UNDER	± ---	CHECKED BY K. TOJO	DATE '04/3/15				
	30 OVER	± ---	APPROVED BY M. SASAO	DATE '04/3/15	MOLEX INCORPORATED			
	ANGULAR	± --- °	MATERIAL NO.	DOCUMENT NO.				
	DRAFT WHERE APPLICABLE MUST REMAIN WITHIN DIMENSIONS		SEE TABLE		SD-53929-006			



注記 NOTES:  
 1. 材質  
 MATERIAL  
 ハウジング: LCP、ガラス充填、黒色, UL94V-0  
 HOUSING: LIQUID CRYSTAL POLYMER, GLASS FILLED, BLACK, UL94V-0  
 ターミナル: 黄銅 (t=0.15)  
 TERMINAL: BRASS (t=0.15)  
 ネイル: リン青銅 (t=0.15)  
 NAIL: PHOSPHOR BRONZE (t=0.15)  
 2. メッキ仕様  
 PLATING  
 ターミナル  
 TERMINAL  
 接点部: 金メッキ 0.25 μm以上  
 CONTACT AREA: GOLD 0.25 MICROMETER MINIMUM.  
 半田付け部: 金メッキ 0.1 μm以上  
 SOLDER TAIL: GOLD 0.1 MICROMETER MINIMUM.  
 下地メッキ: ニッケルメッキ 1.5 μm以上  
 UNDER PLATING: NICKEL 1.5 MICROMETER MINIMUM.  
 ネイル  
 NAIL  
 鍍メッキ: 1.0 μm以上  
 TIN PLATING: 1.0 MICROMETER MINIMUM.  
 下地メッキ: ニッケルメッキ 1.0 μm以上  
 UNDER PLATING: NICKEL PLATING 1.0 MICROMETER MINIMUM.  
 △ (全極数/2) = 偶数の場合に適用  
 APPLY FOR (CIRCUIT/2) = EVEN.

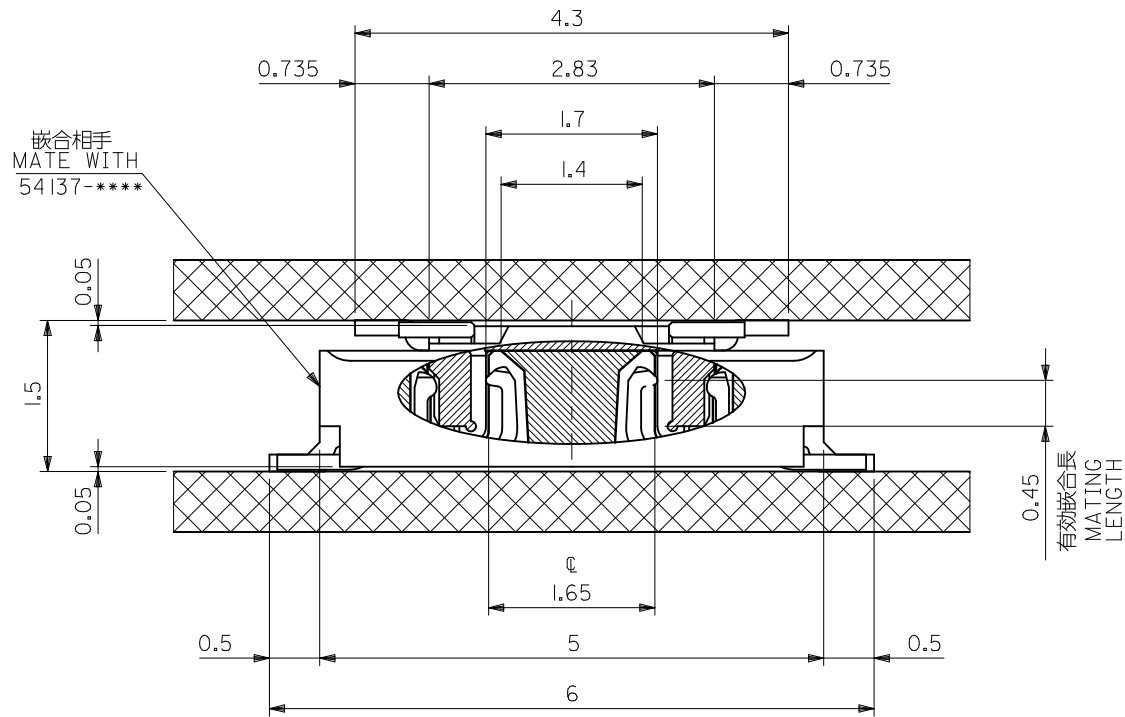
- 嵌合相手: 54137-\*\*\*\*  
MATED CONN.: 54137-\*\*\*\*
- テール平坦度は、0.08以下。テールとネイルを併せた平坦度は、0.1以下とする。  
TAIL COPLANARITY TO BE 0.08 MAXIMUM.  
TAILS AND NAILS COPLANARITY TO BE 0.1 MAXIMUM.
- テール部に適用  
APPLY TO THE TAIL AREA.
- 本製品は53929-\*\*78ネイル圧入品です。  
THIS PRODUCT IS NAIL-FITTING ITEM OF 53929-\*\*78.

27.75	25.55	24.5	53929-1078	100
22.75	20.55	19.5	53929-0878	80
C	B	A	EMBOSSED PACKAGE ORDER No. オールダー番号	Ckt+

CONNECTOR SERIES No. 53929-\*\*71

REVISED EC NO: J2013-0632 DRW:KTOYODA CHKD:TASAKAWA APPR:MSASAO 2012/12/03 2012/12/04 2013/02/20	DESCRIPTION	GENERAL TOLERANCES (UNLESS SPECIFIED)		DIMENSION STYLE MM ONLY		SCALE 8:1	DESIGN UNITS METRIC		THIRD ANGLE PROJECTION
		10 UNDER	±0.2	DRAWN BY KTOYODA	DATE 2010/12/09	TITLE 0.5 B/B CONN PLUG WITH NAIL			
A	REV	10 OVER 30 UNDER	±0.25	CHECKED BY MSASAO	DATE 2011/02/15	SHEET NO. 1 OF 2			
		30 OVER	±0.3	APPROVED BY MSASAO	DATE 2011/02/15	DOCUMENT NO. SD-53929-010			
		ANGULAR	±1 °	MATERIAL NO. SEE CHART		THIS DRAWING CONTAINS INFORMATION THAT IS PROPRIETARY TO MOLEX INCORPORATED AND SHOULD NOT BE USED WITHOUT WRITTEN PERMISSION			
		DRAFT WHERE APPLICABLE MUST REMAIN WITHIN DIMENSIONS							

10 9 8 7 6 5 4 3 2 1



嵌合断面図 (参考)  
MATED DRAWING (REF.)

SEE SHEET 1 OF 2 EC NO: J2013-0632 DRWNG: KTOYODA 2012/12/03 CHK'D: TASAKAWA 2012/12/04 APPR: MSASAO 2013/02/20	GENERAL TOLERANCES (UNLESS SPECIFIED)		DIMENSION STYLE MM ONLY	SCALE 20:1	DESIGN UNITS METRIC	THIRD ANGLE PROJECTION
	10 UNDER	±0.2	DRAWN BY KTOYODA	DATE 2010/12/16	TITLE 0.5 B/B CONN. PLUG WITH NAIL	
	10 OVER 30 UNDER	±0.25	CHECKED BY MSASAO	DATE 2011/02/15		
	30 OVER	±0.3	APPROVED BY MSASAO	DATE 2011/02/15	<b>molex</b> DOCUMENT NO. SD-53929-010 SHEET NO. 2 OF 2	
ANGULAR ±1 °		MATERIAL NO. SEE SHEET 1				
DRAFT WHERE APPLICABLE MUST REMAIN WITHIN DIMENSIONS		THIS DRAWING CONTAINS INFORMATION THAT IS PROPRIETARY TO MOLEX INCORPORATED AND SHOULD NOT BE USED WITHOUT WRITTEN PERMISSION				

9 8 7 6 5 4 3 2

## Looking for pricing, stock, or lifecycle information?

Click below to explore more details on WIN SOURCE:

 [View 539291078 on WIN SOURCE](#)

 [Molex, LLC Information](#)

## Optimize Your Supply Chain with WIN SOURCE Solutions

-  Global Sourcing Solution
-  Obsolete Management
-  Cost Control Management
-  Shortage Management
-  Alternative Solution
-  Excess Inventory Management