



**THE DATASHEET OF  
AOZ3015AI**



## General Description

The AOZ3015AI is a high efficiency, easy to use, 3 A synchronous buck regulator. The AOZ3015AI works from 4.5 V to 18 V input voltage range, and provides up to 3 A of continuous output current with an output voltage adjustable down to 0.8 V.

The AOZ3015AI comes in a SO-8 package and is rated over a -40 °C to +85 °C operating ambient temperature range.

## Features

- 4.5 V to 18 V operating input voltage range
- Synchronous Buck: 65 mΩ internal high-side switch and 30 mΩ internal low-side switch (at 12 V)
- PEM (pulse energy mode) enables >80% efficiency with  $I_{OUT} = 10 \text{ mA}$  ( $V_{IN} = 12 \text{ V}$ ,  $V_{OUT} = 5 \text{ V}$ )
- Up to 95 % efficiency
- Internal soft start
- Output voltage adjustable to 0.8 V
- 3 A continuous output current
- 500 kHz PWM operation
- Cycle-by-cycle current limit
- Pre-bias start-up
- Short-circuit protection
- Thermal shutdown
- SO-8 package

## Applications

- Point of load DC/DC converters
- LCD TV
- Set top boxes
- DVD and Blu-ray players/recorders
- Cable modems



## Typical Application

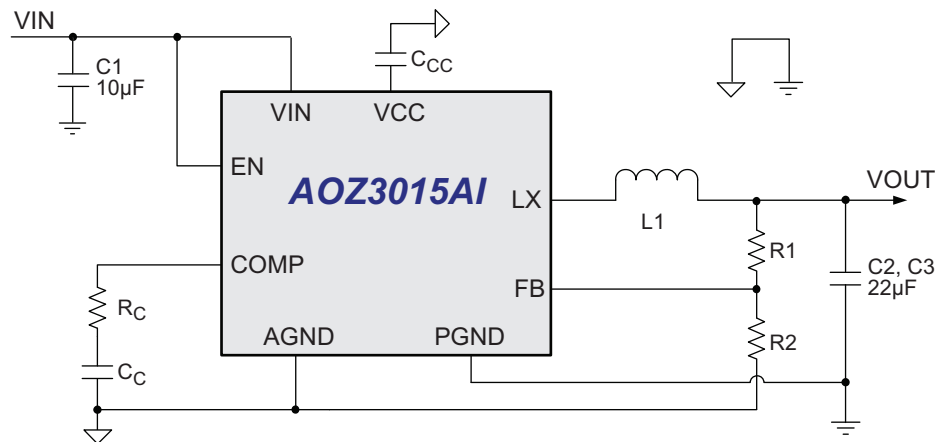


Figure 1. 3 A Synchronous Buck Regulator,  $F_s = 500 \text{ kHz}$

## Ordering Information

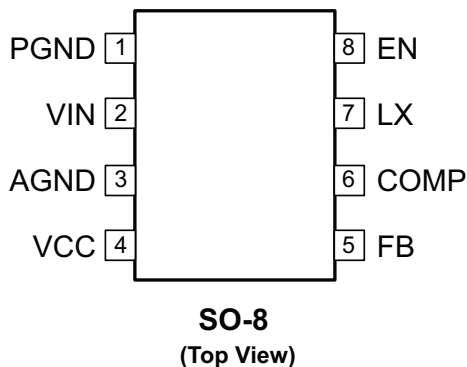
| Part Number | Ambient Temperature Range | Package | Environmental |
|-------------|---------------------------|---------|---------------|
| AOZ3015AI   | -40 °C to +85 °C          | SO-8    | Green Product |



AOS Green Products use reduced levels of Halogens, and are also RoHS compliant.

Please visit [www.aosmd.com/media/AOSGreenPolicy.pdf](http://www.aosmd.com/media/AOSGreenPolicy.pdf) for additional information.

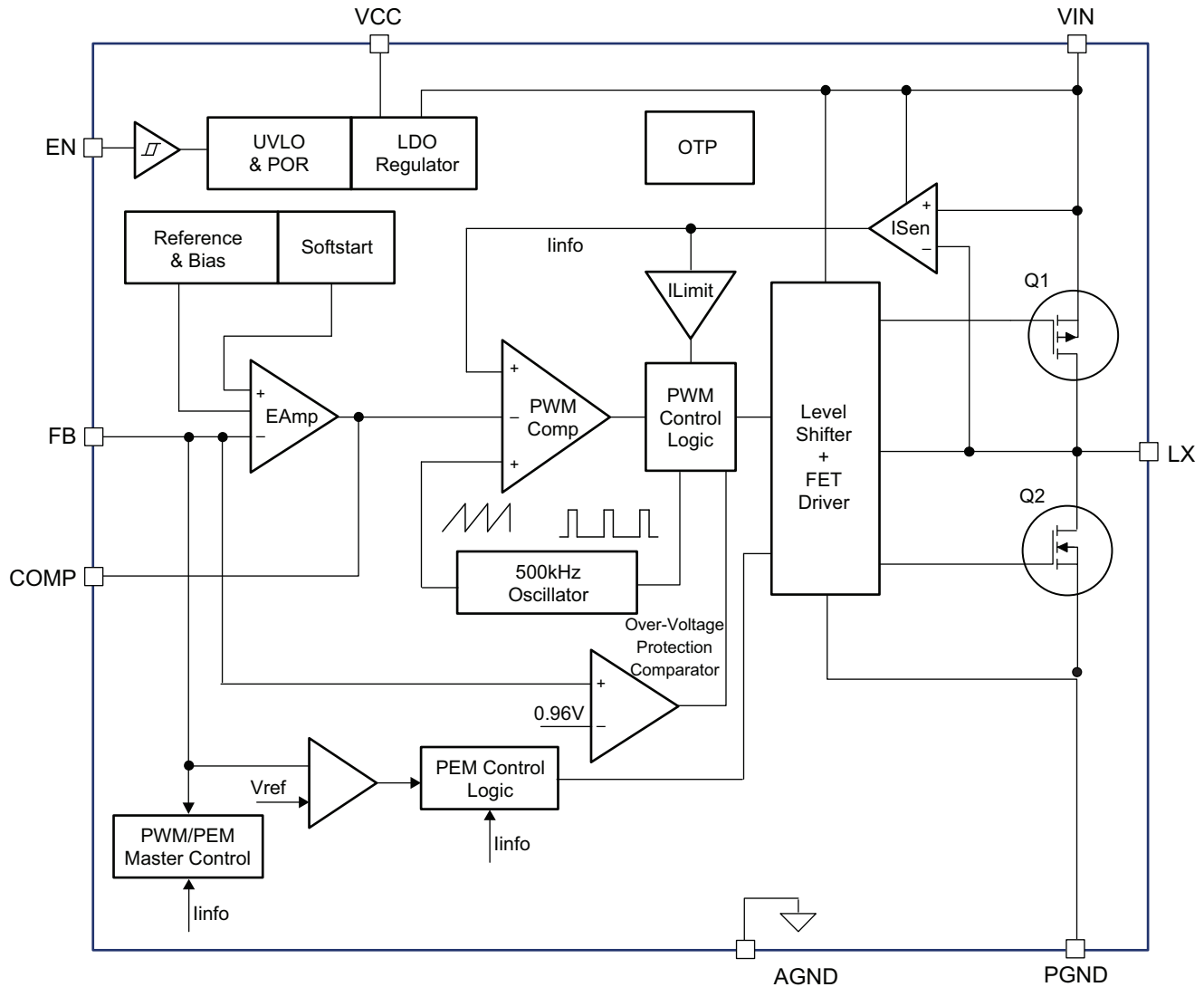
## Pin Configuration



## Pin Description

| Pin Number | Pin Name | Pin Function   |
|------------|----------|--|
| 1          | PGND     | Power ground. PGND needs to be electrically connected to AGND.   |
| 2          | VIN      | Supply voltage input. When VIN rises above the UVLO threshold and EN is logic high, the device starts up.  |
| 3          | AGND     | Analog ground. AGND is the reference point for controller section. AGND needs to be electrically connected to PGND.  |
| 4          | VCC      | Internal LDO output.   |
| 5          | FB       | Feedback input. The FB pin is used to set the output voltage via a resistive voltage divider between the output and AGND.  |
| 6          | COMP     | External loop compensation pin. Connect a RC network between COMP and AGND to compensate the control loop.   |
| 7          | LX       | Switching node. LX is the drain of the internal power FETs.  |
| 8          | EN       | Enable pin. Pull EN to logic high to enable the device. Pull EN to logic low to disable the device. If on/off control is not needed, connect EN to VIN and do not leave it open. |

## Block Diagram



### Absolute Maximum Ratings

Exceeding the Absolute Maximum Ratings may damage the device.

| Parameter                      | Rating                   |
|--------------------------------|--------------------------|
| Supply Voltage ( $V_{IN}$ )    | 20 V                     |
| LX to AGND                     | -0.7 V to $V_{IN}+0.3$ V |
| LX to AGND (<20 ns)            | -5 V to 20 V             |
| EN to AGND                     | -0.3 V to $V_{IN}+0.3$ V |
| VCC, FB, COMP to AGND          | -0.3 V to 6.0 V          |
| PGND to AGND                   | -0.3 V to +0.3 V         |
| Junction Temperature ( $T_J$ ) | +150 °C                  |
| Storage Temperature ( $T_S$ )  | -65 °C to +150 °C        |
| ESD Rating <sup>(1)</sup>      | 2.0 kV                   |

**Note:**

1. Devices are inherently ESD sensitive, handling precautions are required. Human body model rating: 1.5 k $\Omega$  in series with 100 pF.

### Recommended Operating Conditions

The device is not guaranteed to operate beyond the Maximum Recommended Operating Conditions.

| Parameter   | Rating                       |
|---|------------------------------|
| Supply Voltage ( $V_{IN}$ )   | 4.5 V to 18 V                |
| Output Voltage Range  | 0.8 V to $0.85 \cdot V_{IN}$ |
| Ambient Temperature ( $T_A$ )                                       | -40 °C to +85 °C             |
| Package Thermal Resistance<br>SO-8 ( $\theta_{JA}$ ) <sup>(2)</sup> | 87 °C/W                      |

**Note:**

2. The value of  $\theta_{JA}$  is measured with the device mounted on 1-in<sup>2</sup> FR-4 board with 2oz. Copper, in a still air environment with  $T_A = 25$  °C. The value in any given application depends on the user's specific board design.

## Electrical Characteristics

$T_A = 25\text{ }^\circ\text{C}$ ,  $V_{IN} = V_{EN} = 12\text{ V}$ ,  $V_{OUT} = 5\text{ V}$  unless otherwise specified<sup>(3)</sup>

| Symbol              | Parameter                                     | Conditions   | Min.       | Typ.       | Max.       | Units            |
|---------------------|---|--|------------|------------|------------|------------------|
| $V_{IN}$            | Supply Voltage                                |  | <b>4.5</b> |            | <b>18</b>  | V                |
| $V_{UVLO}$          | Input Under-Voltage Lockout Threshold         | $V_{IN}$ Rising<br>$V_{IN}$ Falling                                      |            | 4<br>3.7   |            | V                |
| $I_{IN}$            | Supply Current (Quiescent)                    | $V_{IN} = 12\text{ V}$ , $V_{OUT} = 5\text{ V}$ , $I_{OUT} = 0\text{ A}$ |            | 0.5        | 0.7        | mA               |
| $I_{OFF}$           | Shutdown Supply Current                       | $V_{EN} = 0\text{ V}$  |            | <b>1</b>   | <b>2</b>   | $\mu\text{A}$    |
| $V_{FB}$            | Feedback Voltage                              | $T_A = 25\text{ }^\circ\text{C}$   | 0.788      | 0.8        | 0.812      | V                |
|                     | Load Regulation                               |  |            | 0.5        |            | %                |
|                     | Line Regulation                               |  |            | 1          |            | %                |
| $I_{FB}$            | Feedback Voltage Input Current                |  |            |            | 200        | nA               |
| $V_{EN}$            | EN Input Threshold                            | Off Threshold<br>On Threshold  | <b>2</b>   |            | <b>0.6</b> | V                |
| $V_{HYS}$           | EN Input Hysteresis                           |  |            | 200        |            | mV               |
|                     | EN Leakage Current                            |  |            |            | <b>1</b>   | $\mu\text{A}$    |
|                     | SS Time                                       |  |            | 5          |            | ms               |
| <b>MODULATOR</b>    |   |  |            |            |            |                  |
| $f_O$               | Frequency                                     | $I_{OUT} = 2\text{ A}$   | 400        | 500        | 600        | kHz              |
| $D_{MAX}$           | Maximum Duty Cycle                            |  | 85         |            |            | %                |
| $T_{MIN}$           | Controllable Minimum On Time                  | $I_{OUT} = 2\text{ A}$   |            | 200        |            | ns               |
|                     | Current Sense Transconductance <sup>(4)</sup> |  |            | 8          |            | A/V              |
|                     | Error Amplifier Transconductance              |  |            | 200        |            | $\mu\text{A/V}$  |
| <b>PROTECTION</b>   |   |  |            |            |            |                  |
| $I_{LIM}$           | Current Limit                                 |  | 3.5        | 4          |            | A                |
|                     | Over-Temperature Shutdown Limit               | $T_J$ Rising<br>$T_J$ Falling  |            | 150<br>100 |            | $^\circ\text{C}$ |
| $V_{OVP}$           | Over-Voltage Protection                       | Off Threshold<br>On Threshold  |            | 960<br>860 |            | mV               |
| <b>OUTPUT STAGE</b> |   |  |            |            |            |                  |
|                     | High-Side Switch On-Resistance                | $V_{IN} = 12\text{ V}$   |            | 65         |            | $\text{m}\Omega$ |
|                     | Low-Side Switch On-Resistance                 | $V_{IN} = 12\text{ V}$   |            | 30         |            | $\text{m}\Omega$ |

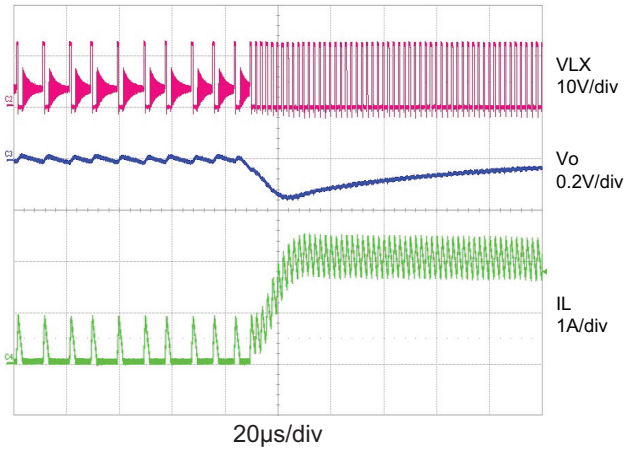
**Note:**

- Specification in **BOLD** indicate an ambient temperature range of  $-40\text{ }^\circ\text{C}$  to  $+85\text{ }^\circ\text{C}$ . These specifications are not guaranteed to operate beyond the Maximum Operating ratings.
- These specifications are guaranteed by design.

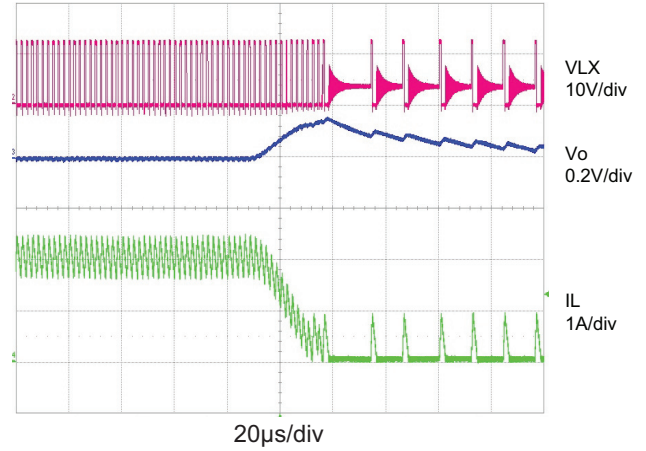
## Typical Performance Characteristics

Circuit of Figure 1.  $T_A = 25\text{ }^\circ\text{C}$ ,  $V_{IN} = V_{EN} = 12\text{ V}$ ,  $V_{OUT} = 3.3\text{ V}$  unless otherwise specified.

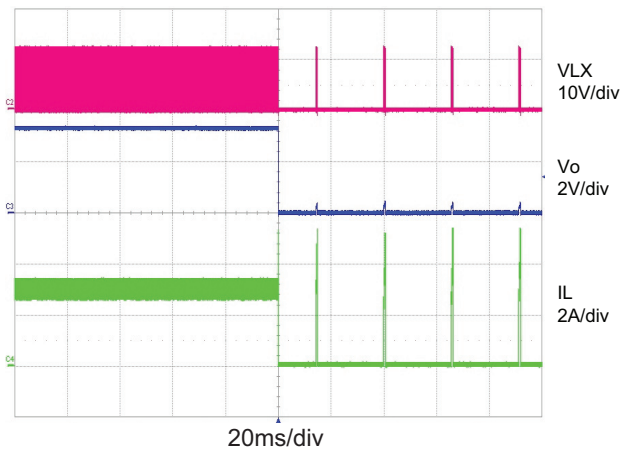
Light Load to Heavy Load Operation



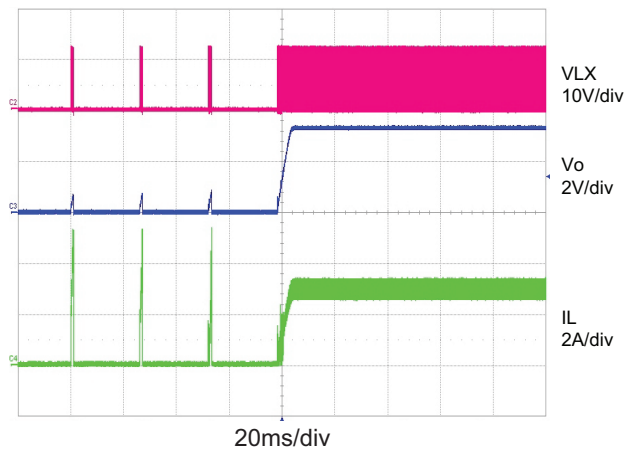
Heavy Load to Light Load



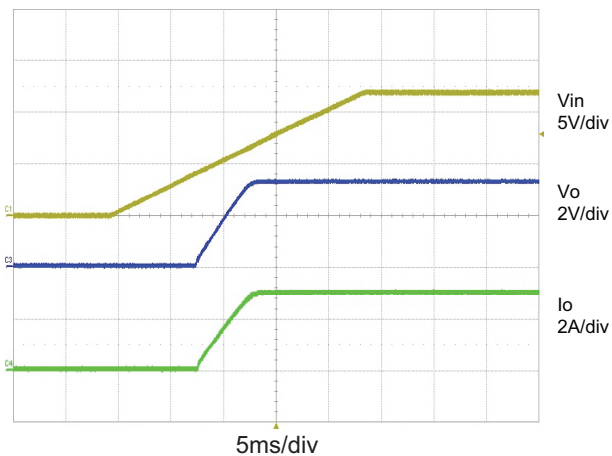
Short Circuit Protection



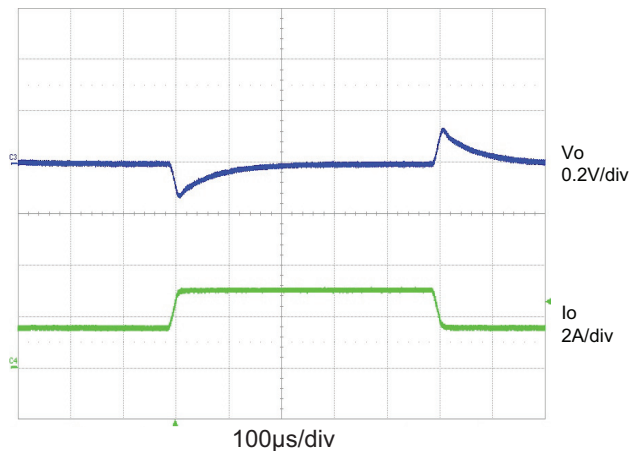
Short Circuit Recovery



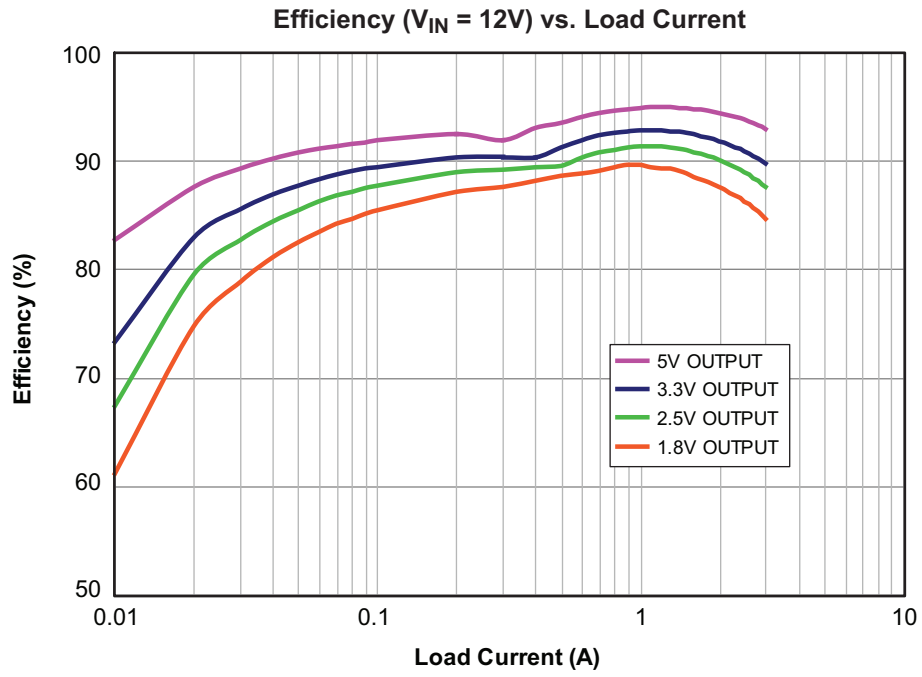
Start Up to Full Load



50 % to 100 % Load Transient



## Efficiency



## Detailed Description

The AOZ3015AI is a current-mode step down regulator with an integrated high-side PMOS switch and a low-side NMOS switch. The AOZ3015AI operates from a 4.5 V to 18 V input voltage range and supplies up to 3 A of load current. Features include enable control, power-on reset, input under voltage lockout, output over voltage protection, internal soft-start and thermal shut down.

The AOZ3015AI is available in a SO-8 package.

### Enable and Soft Start

The AOZ3015AI has an internal soft start feature to limit in-rush current and ensure the output voltage ramps up smoothly to regulation voltage. The soft start process begins when the input voltage rises to 4 V and voltage on the EN pin is HIGH. In the soft start process, the output voltage is typically ramped to regulation voltage in 5 ms. The 5 ms soft-start pin time is set internally.

The EN pin of the AOZ3015AI is active high. Connect the EN pin to VIN if the enable function is not used. Pulling EN to ground will disable the AOZ3015AI. Do not leave EN open. The voltage on the EN pin must be above 2 V to enable the AOZ3015AI. When the EN pin voltage falls below 0.6 V, the AOZ3015AI is disabled.

### Light Load and PWM Operation

Under low output current settings, the AOZ3015AI will operate with pulse energy mode to obtain high efficiency. In pulse energy mode, the PWM will not turn off until the inductor current reaches to 800 mA and the current signal exceeds the error voltage.

### Steady-State Operation

Under heavy load steady-state conditions, the converter operates in fixed frequency and Continuous-Conduction Mode (CCM).

The AOZ3015AI integrates an internal P-MOSFET as the high-side switch. Inductor current is sensed by amplifying the voltage drop across the drain to source of the high side power MOSFET. Output voltage is divided down by the external voltage divider at the FB pin. The difference of the FB pin voltage and reference voltage is amplified by the internal transconductance error amplifier. The error voltage, which shows on the COMP pin, is compared against the current signal, which is the sum of inductor current signal and ramp compensation signal, at the PWM comparator input. If the current signal is less than the error voltage, the internal high-side switch is on.

The inductor current flows from the input through the inductor to the output. When the current signal exceeds the error voltage, the high-side switch is off. The inductor current is freewheeling through the internal low-side N-MOSFET switch to output. The internal adaptive FET driver guarantees no turn on overlap of both the high-side and the low-side switch.

Compared with regulators using freewheeling Schottky diodes, the AOZ3015AI uses a freewheeling NMOSFET to realize synchronous rectification. This greatly improves the converter efficiency and reduces power loss in the low-side switch.

The AOZ3015AI uses a P-Channel MOSFET as the high-side switch. This saves the bootstrap capacitor normally seen in a circuit using an NMOS switch.

### Output Voltage Programming

Output voltage can be set by feeding back the output to the FB pin using a resistor divider network as shown in Figure 1. The resistor divider network includes  $R_1$  and  $R_2$ . Usually, a design is started by picking a fixed  $R_2$  value and calculating the required  $R_1$  with the equation below:

$$V_O = 0.8 \times \left( 1 + \frac{R_1}{R_2} \right)$$

Some standard value of  $R_1$  and  $R_2$  for the most common output voltages are listed in Table 1.

Table 1.

| $V_O$ (V) | $R_1$ (k $\Omega$ ) | $R_2$ (k $\Omega$ ) |
|-----------|---------------------|---------------------|
| 0.8       | 1.0                 | Open                |
| 1.2       | 4.99                | 10                  |
| 1.5       | 10                  | 11.5                |
| 1.8       | 12.7                | 10.2                |
| 2.5       | 21.5                | 10                  |
| 3.3       | 31.1                | 10                  |
| 5.0       | 52.3                | 10                  |

The combination of  $R_1$  and  $R_2$  should be large enough to avoid drawing excessive current from the output, which will cause power loss.

## Protection Features

The AOZ3015AI has multiple protection features to prevent system circuit damage under abnormal conditions.

### Over Current Protection (OCP)

The sensed inductor current signal is also used for over current protection. Since the AOZ3015AI employs peak current mode control, the COMP pin voltage is proportional to the peak inductor current. The COMP pin voltage is limited to be between 0.4 V and 3.1 V internally. The peak inductor current is automatically limited cycle-by-cycle.

When the output is shorted to ground under fault conditions, the inductor current slowly decays during a switching cycle because the output voltage is 0 V. To prevent catastrophic failure, a secondary current limit is designed inside the AOZ3015AI. The measured inductor current is compared against a preset voltage which represents the current limit. When the output current is greater than the current limit, the high side switch will be turned off. The converter will initiate a soft start once the over-current condition is resolved.

### Power-On Reset (POR)

A power-on reset circuit monitors the input voltage. When the input voltage exceeds 4 V, the converter starts operation. When input voltage falls below 3.7 V, the converter will be shut down.

### Thermal Protection

An internal temperature sensor monitors the junction temperature. The sensor shuts down the internal control circuit and high side PMOS if the junction temperature exceeds 150 °C. The regulator will restart automatically under the control of the soft-start circuit when the junction temperature decreases to 100 °C.

## Application Information

The basic AOZ3015AI application circuit is show in Figure 1. Component selection is explained below.

### Input Capacitor

The input capacitor must be connected to the V<sub>IN</sub> pin and the PGND pin of AOZ3015AI to maintain steady input voltage and filter out the pulsing input current. The voltage rating of input capacitor must be greater than maximum input voltage plus ripple voltage.

The input ripple voltage can be approximated by equation below:

$$\Delta V_{IN} = \frac{I_O}{f \times C_{IN}} \times \left(1 - \frac{V_O}{V_{IN}}\right) \times \frac{V_O}{V_{IN}}$$

Since the input current is discontinuous in a buck converter, the current stress on the input capacitor is another concern when selecting the capacitor. For a buck circuit, the RMS value of input capacitor current can be calculated by:

$$I_{CIN\_RMS} = I_O \times \sqrt{\frac{V_O}{V_{IN}} \left(1 - \frac{V_O}{V_{IN}}\right)}$$

if we let  $m$  equal the conversion ratio:

$$\frac{V_O}{V_{IN}} = m$$

The relationship between the input capacitor RMS current and voltage conversion ratio is calculated and shown in Figure 2 below. It can be seen that when  $V_O$  is half of  $V_{IN}$ ,  $C_{IN}$  is under the worst current stress. The worst current stress on  $C_{IN}$  is  $0.5 \times I_O$ .

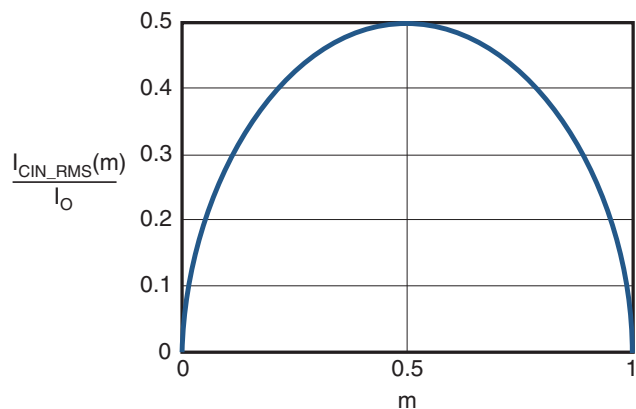


Figure 2. I<sub>CIN</sub> vs. Voltage Conversion Ratio

For reliable operation and best performance, the input capacitors must have a current rating higher than  $I_{CIN\_RMS}$  at the worst operating conditions. Ceramic capacitors are preferred for input capacitors because of their low ESR and high current rating. Depending on the application circuits, other low ESR tantalum capacitors may be used. When selecting ceramic capacitors, X5R or X7R type dielectric ceramic capacitors should be used for their better temperature and voltage characteristics. Note that the ripple current rating from capacitor manufactures are based on a certain operating life time. Further de-rating may need to be considered for long term reliability.

### Inductor

The inductor is used to supply constant current to output when it is driven by a switching voltage. For a given input and output voltage, inductance and switching frequency together decide the inductor ripple current, which is:

$$\Delta I_L = \frac{V_O}{f \times L} \times \left( 1 - \frac{V_O}{V_{IN}} \right)$$

The peak inductor current is:

$$I_{Lpeak} = I_O + \frac{\Delta I_L}{2}$$

High inductance gives low inductor ripple current but requires larger size inductor to avoid saturation. Low ripple current reduces inductor core losses. It also reduces RMS current through inductor and switches, which results in less conduction loss. Usually, peak to peak ripple current on the inductor is designed to be 20 % to 40 % of output current.

When selecting the inductor, confirm it is able to handle the peak current without saturation at the highest operating temperature.

The inductor takes the highest current in a buck circuit. The conduction loss on the inductor needs to be checked for thermal and efficiency requirements.

Surface mount inductors in different shape and styles are available from Coilcraft, Elytone and Murata. Shielded inductors are small and radiate less EMI noise. However, they cost more than unshielded inductors. The choice depends on EMI requirement, price and size.

### Output Capacitor

The output capacitor is selected based on the DC output voltage rating, output ripple voltage specification and ripple current rating.

The selected output capacitor must have a higher rated voltage specification than the maximum desired output voltage including ripple. De-rating needs to be considered for long term reliability.

Output ripple voltage specification is another important factor for selecting the output capacitor. In a buck converter circuit, output ripple voltage is determined by inductor value, switching frequency, output capacitor value and ESR. It can be calculated by the equation below:

$$\Delta V_O = \Delta I_L \times \left( ESR_{CO} + \frac{1}{8 \times f \times C_O} \right)$$

where,

$C_O$  is output capacitor value, and

$ESR_{CO}$  is the equivalent series resistance of the output capacitor.

When a low ESR ceramic capacitor is used as the output capacitor, the impedance of the capacitor at the switching frequency dominates. Output ripple is mainly caused by capacitor value and inductor ripple current. The output ripple voltage calculation can be simplified to:

$$\Delta V_O = \Delta I_L \times \frac{1}{8 \times f \times C_O}$$

If the impedance of ESR at switching frequency dominates, the output ripple voltage is mainly decided by capacitor ESR and inductor ripple current. The output ripple voltage calculation can be further simplified to:

$$\Delta V_O = \Delta I_L \times ESR_{CO}$$

For lower output ripple voltage across the entire operating temperature range, X5R or X7R dielectric type of ceramic, or other low ESR tantalum capacitors are recommended as output capacitors.

In a buck converter, output capacitor current is continuous. The RMS current of output capacitor is decided by the peak to peak inductor ripple current. It can be calculated by:

$$I_{CO\_RMS} = \frac{\Delta I_L}{\sqrt{12}}$$

Usually, the ripple current rating of the output capacitor is a smaller issue because of the low current stress. When the buck inductor is selected to be very small and inductor ripple current is high, the output capacitor could be overstressed.

### Loop Compensation

The AOZ3015AI employs peak current mode control for ease of use and fast transient response. Peak current mode control eliminates the double pole effect of the output L&C filter. It also greatly simplifies the compensation loop design.

With peak current mode control, the buck power stage can be simplified to be a one-pole and one-zero system in frequency domain. The pole is dominant pole can be calculated by:

$$f_{P1} = \frac{1}{2\pi \times C_O \times R_L}$$

The zero is a ESR zero due to the output capacitor and its ESR. It is can be calculated by:

$$f_{Z1} = \frac{1}{2\pi \times C_O \times ESR_{CO}}$$

where;

$C_O$  is the output filter capacitor,

$R_L$  is load resistor value, and

$ESR_{CO}$  is the equivalent series resistance of output capacitor.

The compensation design shapes the converter control loop transfer function for the desired gain and phase. Several different types of compensation networks can be used with the AOZ3015AI. For most cases, a series capacitor and resistor network connected to the COMP pin sets the pole-zero and is adequate for a stable high-bandwidth control loop.

In the AOZ3015AI, FB and COMP are the inverting input and the output of the internal error amplifier. A series R and C compensation network connected to COMP provides one pole and one zero. The pole is:

$$f_{P2} = \frac{G_{EA}}{2\pi \times C_C \times G_{VEA}}$$

where;

$G_{EA}$  is the error amplifier transconductance, which is  $200 \times 10^{-6}$  A/V,

$G_{VEA}$  is the error amplifier voltage gain, which is 500 V/V, and

$C_C$  is the compensation capacitor in Figure 1.

The zero given by the external compensation network, capacitor  $C_C$  and resistor  $R_C$ , is located at:

$$f_{Z2} = \frac{1}{2\pi \times C_C \times R_C}$$

To design the compensation circuit, a target crossover frequency  $f_C$  to close the loop must be selected. The system crossover frequency is where the control loop has unity gain. The crossover is the also called the converter bandwidth. Generally a higher bandwidth means faster response to load transients. However, the bandwidth should not be too high because of system stability concern. When designing the compensation loop, converter stability under all line and load condition must be considered.

Usually, it is recommended to set the bandwidth to be equal or less than 1/10 of the switching frequency.

The strategy for choosing  $R_C$  and  $C_C$  is to set the cross over frequency with  $R_C$  and set the compensator zero with  $C_C$ . Using selected crossover frequency,  $f_C$ , to calculate  $R_C$ :

$$R_C = f_C \times \frac{V_O}{V_{FB}} \times \frac{2\pi \times C_C}{G_{EA} \times G_{CS}}$$

where;

$f_C$  is the desired crossover frequency. For best performance,  $f_C$  is set to be about 1/10 of the switching frequency;

$V_{FB}$  is 0.8V,

$G_{EA}$  is the error amplifier transconductance, which is  $200 \times 10^{-6}$  A/V, and

$G_{CS}$  is the current sense circuit transconductance, which is 8 A/V

The compensation capacitor  $C_C$  and resistor  $R_C$  together make a zero. This zero is put somewhere close to the dominate pole  $f_{p1}$  but lower than 1/5 of the selected crossover frequency.  $C_C$  can be selected by:

$$C_C = \frac{1}{2\pi \times R_C \times f_{P1}}$$

The above equation can be simplified to:

$$C_C = \frac{C_O \times R_L}{R_C}$$

An easy-to-use application software which helps to design and simulate the compensation loop can be found at [www.aosmd.com](http://www.aosmd.com).

## Thermal Management and Layout Considerations

In the AOZ3015AI buck regulator circuit, high pulsing current flows through two circuit loops. The first loop starts from the input capacitors, to the  $V_{IN}$  pin, to the LX pins, to the filter inductor, to the output capacitor and load, and then return to the input capacitor through ground. Current flows in the first loop when the high side switch is on. The second loop starts from inductor, to the output capacitors and load, to the low-side NMOSFET. Current flows in the second loop when the low-side NMOSFET is on.

In PCB layout, minimizing the two loops area reduces the noise of this circuit and improves efficiency. A ground plane is strongly recommended to connect input capacitor, output capacitor, and PGND pin of the AOZ3015AI.

In the AOZ3015AI buck regulator circuit, the major power dissipating components are the AOZ3015AI and the output inductor. The total power dissipation of converter circuit can be measured by input power minus output power.

$$P_{total\_loss} = V_{IN} \times I_{IN} - V_O \times I_O$$

The power dissipation of inductor can be approximately calculated by output current and DCR of inductor.

$$P_{inductor\_loss} = I_O^2 \times R_{inductor} \times 1.1$$

The actual junction temperature can be calculated with power dissipation in the AOZ3015AI and thermal impedance from junction to ambient.

$$T_{junction} = (P_{total\_loss} - P_{inductor\_loss}) \times \Theta_{JA}$$

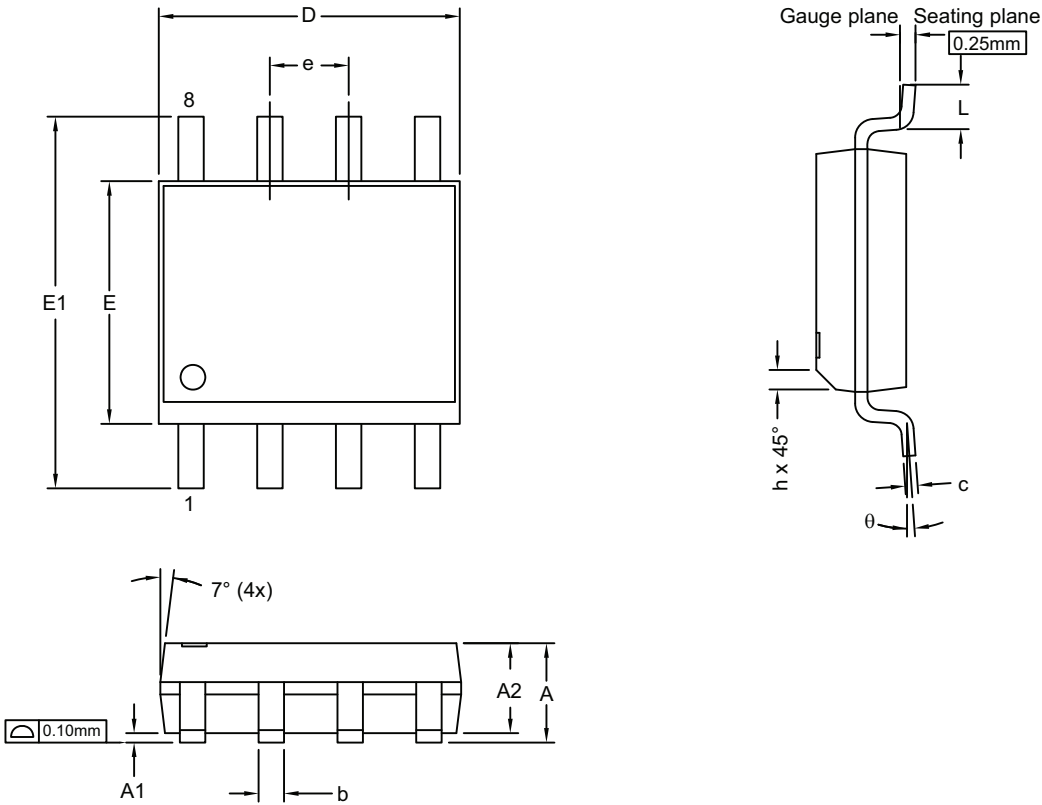
The thermal performance of the AOZ3015AI is strongly affected by the PCB layout. Extra care should be taken by users during design process to ensure that the IC will operate under the recommended environmental conditions.

## Layout Considerations

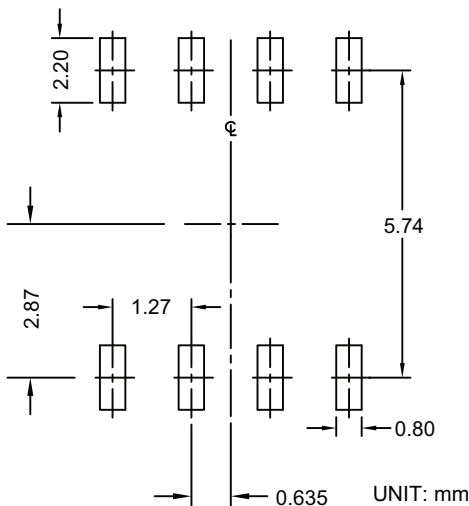
The AOZ3015AI is a standard SO-8 package. Layout tips are listed below for the best electric and thermal performance.

1. Do not use thermal relief connection to the  $V_{IN}$  and the PGND pin. Pour a maximized copper area to the PGND pin and the  $V_{IN}$  pin to help thermal dissipation.
2. Input capacitor should be connected as close as possible to the  $V_{IN}$  pin and the PGND pin.
3. A ground plane is suggested. If a ground plane is not used, separate PGND from AGND and connect them only at one point to avoid the PGND pin noise coupling to the AGND pin.
4. Make the current trace from the LX pins to L to  $C_O$  to the PGND as short as possible.
5. Pour copper plane on all unused board area and connect it to stable DC nodes, like  $V_{IN}$ , GND or  $V_{OUT}$ .
6. The LX pins are connected to internal PFET drain. They are a low resistance thermal conduction path and the most noisy switching node. Connect a copper plane to the LX pins to help thermal dissipation. This copper plane should not be too large otherwise switching noise may be coupled to other parts of the circuit.
7. Keep sensitive signal traces far away from the LX pins.

Package Dimensions, SO-8



RECOMMENDED LAND PATTERN



Dimensions in millimeters

| Symbols | Min.     | Nom. | Max. |
|---------|----------|------|------|
| A       | 1.35     | 1.65 | 1.75 |
| A1      | 0.10     | —    | 0.25 |
| A2      | 1.25     | 1.50 | 1.65 |
| b       | 0.31     | —    | 0.51 |
| c       | 0.17     | —    | 0.25 |
| D       | 4.80     | 4.90 | 5.00 |
| E       | 3.80     | 3.90 | 4.00 |
| e       | 1.27 BSC |      |      |
| E1      | 5.80     | 6.00 | 6.20 |
| h       | 0.25     | —    | 0.50 |
| L       | 0.40     | —    | 1.27 |
| θ       | 0°       | —    | 8°   |

Dimensions in inches

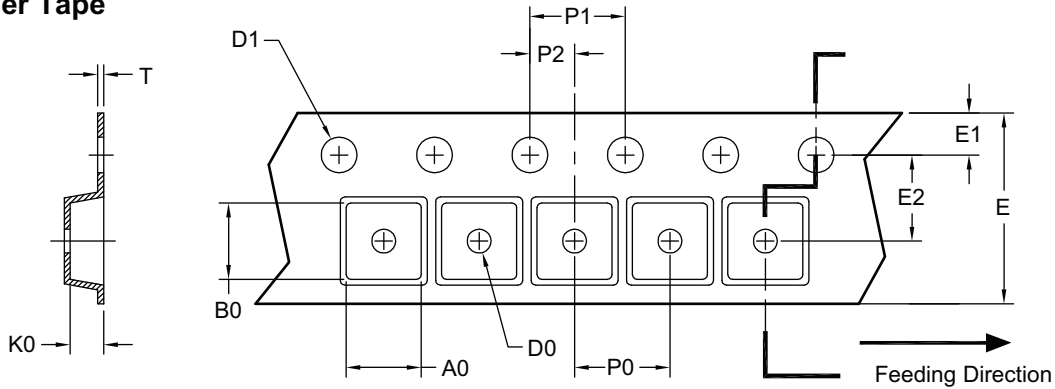
| Symbols | Min.      | Nom.  | Max.  |
|---------|-----------|-------|-------|
| A       | 0.053     | 0.065 | 0.069 |
| A1      | 0.004     | —     | 0.010 |
| A2      | 0.049     | 0.059 | 0.065 |
| b       | 0.012     | —     | 0.020 |
| c       | 0.007     | —     | 0.010 |
| D       | 0.189     | 0.193 | 0.197 |
| E       | 0.150     | 0.154 | 0.157 |
| e       | 0.050 BSC |       |       |
| E1      | 0.228     | 0.236 | 0.244 |
| h       | 0.010     | —     | 0.020 |
| L       | 0.016     | —     | 0.050 |
| θ       | 0°        | —     | 8°    |

Notes:

1. All dimensions are in millimeters.
2. Dimensions are inclusive of plating.
3. Package body size exclude mold flash and gate burrs. Mold flash at the non-lead sides should be less than 6 mils each.
4. Dimension L is measured in gauge plane.
5. Controlling dimension is millimeter, converted inch dimensions are not necessarily exact.

### Tape and Reel Dimensions, SO-8

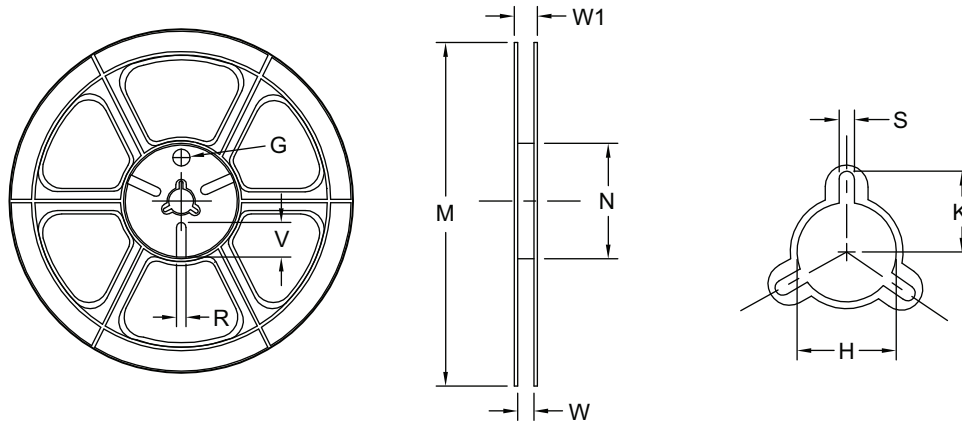
#### Carrier Tape



UNIT: mm

| Package        | A0                 | B0                 | K0                 | D0                 | D1                 | E                   | E1                 | E2                 | P0                 | P1                 | P2                 | T                  |
|----------------|--------------------|--------------------|--------------------|--------------------|--------------------|---------------------|--------------------|--------------------|--------------------|--------------------|--------------------|--------------------|
| SO-8<br>(12mm) | 6.40<br>$\pm 0.10$ | 5.20<br>$\pm 0.10$ | 2.10<br>$\pm 0.10$ | 1.60<br>$\pm 0.10$ | 1.50<br>$\pm 0.10$ | 12.00<br>$\pm 0.10$ | 1.75<br>$\pm 0.10$ | 5.50<br>$\pm 0.10$ | 8.00<br>$\pm 0.10$ | 4.00<br>$\pm 0.10$ | 2.00<br>$\pm 0.10$ | 0.25<br>$\pm 0.10$ |

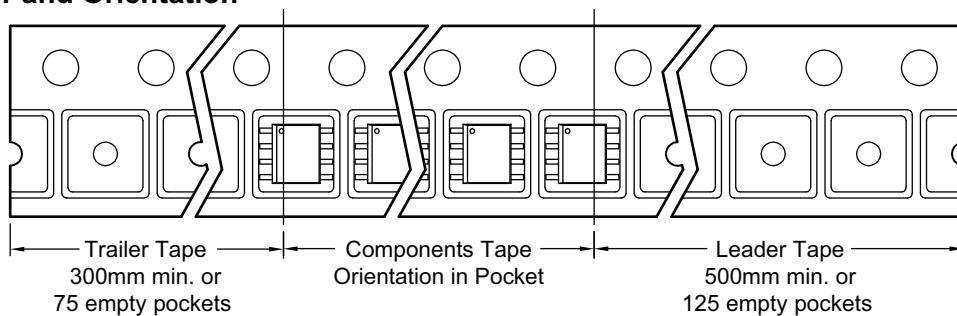
#### Reel



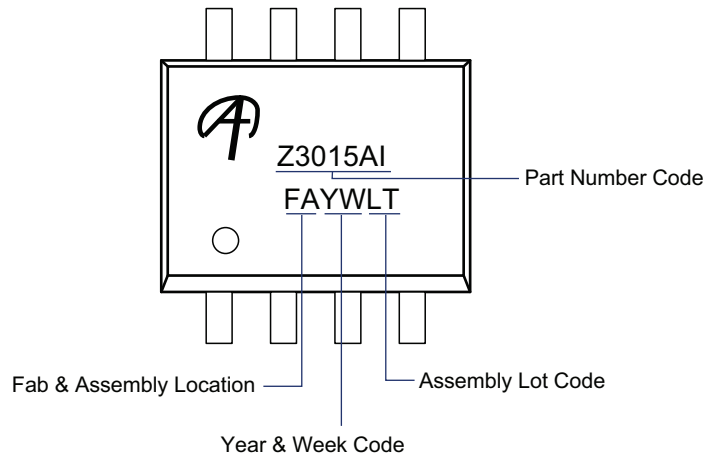
UNIT: mm

| Tape Size | Reel Size  | M                           | N                          | W                   | W1                  | H                             | K     | S                  | G | R | V |
|-----------|------------|-----------------------------|----------------------------|---------------------|---------------------|-------------------------------|-------|--------------------|---|---|---|
| 12mm      | $\phi 330$ | $\phi 330.00$<br>$\pm 0.50$ | $\phi 97.00$<br>$\pm 0.10$ | 13.00<br>$\pm 0.30$ | 17.40<br>$\pm 1.00$ | $\phi 13.00$<br>$+0.50/-0.20$ | 10.60 | 2.00<br>$\pm 0.50$ | — | — | — |

#### Leader/Trailer and Orientation



## Part Marking



### LEGAL DISCLAIMER

Alpha and Omega Semiconductor makes no representations or warranties with respect to the accuracy or completeness of the information provided herein and takes no liabilities for the consequences of use of such information or any product described herein. Alpha and Omega Semiconductor reserves the right to make changes to such information at any time without further notice. This document does not constitute the grant of any intellectual property rights or representation of non-infringement of any third party's intellectual property rights.

### LIFE SUPPORT POLICY

ALPHA AND OMEGA SEMICONDUCTOR PRODUCTS ARE NOT AUTHORIZED FOR USE AS CRITICAL COMPONENTS IN LIFE SUPPORT DEVICES OR SYSTEMS.

As used herein:

1. Life support devices or systems are devices or systems which, (a) are intended for surgical implant into the body or (b) support or sustain life, and (c) whose failure to perform when properly used in accordance with instructions for use provided in the labeling, can be reasonably expected to result in a significant injury of the user.
2. A critical component in any component of a life support, device, or system whose failure to perform can be reasonably expected to cause the failure of the life support device or system, or to affect its safety or effectiveness.

## Looking for pricing, stock, or lifecycle information?

Click below to explore more details on WIN SOURCE:

- ⊖ [View AOZ3015AI on WIN SOURCE](#)
- ⊖ [Alpha & Omega Semiconductor Inc. Information](#)

## Optimize Your Supply Chain with WIN SOURCE Solutions

- ✓ Global Sourcing Solution
- ✓ Obsolete Management
- ✓ Cost Control Management
- ✓ Shortage Management
- ✓ Alternative Solution
- ✓ Excess Inventory Management