

FEATURES

AC PERFORMANCE

500 ns Settling to 0.01% for 10 V Step

1.5 μ s Settling to 0.0025% for 10 V Step

75 V/ μ s Slew Rate

0.0003% Total Harmonic Distortion (THD)

13 MHz Gain Bandwidth – Internal Compensation

>200 MHz Gain Bandwidth (G = 1000)

External Decompensation

>1000 pF Capacitive Load Drive Capability with

10 V/ μ s Slew Rate – External Compensation

DC PERFORMANCE

0.5 mV max Offset Voltage (AD744B)

10 μ V/ $^{\circ}$ C max Drift (AD744B)

250 V/mV min Open-Loop Gain (AD744B)

Available in Plastic Mini-DIP, Plastic SOIC, Hermetic Cerdip, Hermetic Metal Can Packages and Chip Form Surface Mount (SOIC) Package Available in Tape and Reel in Accordance with EIA-481A Standard

APPLICATIONS

Output Buffers for 12-Bit, 14-Bit and 16-Bit DACs,

ADC Buffers, Cable Drivers, Wideband

Preamplifiers and Active Filters

PRODUCT DESCRIPTION

The AD744 is a fast-settling, precision, FET input, monolithic operational amplifier. It offers the excellent dc characteristics of the AD711 BiFET family with enhanced settling, slew rate, and bandwidth. The AD744 also offers the option of using custom compensation to achieve exceptional capacitive load drive capability.

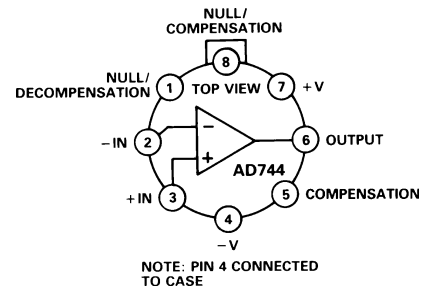
The single-pole response of the AD744 provides fast settling: 500 ns to 0.01%. This feature, combined with its high dc precision, makes it suitable for use as a buffer amplifier for 12-bit, 14-bit or 16-bit DACs and ADCs. Furthermore, the AD744's low total harmonic distortion (THD) level of 0.0003% and gain bandwidth product of 13 MHz make it an ideal amplifier for demanding audio applications. It is also an excellent choice for use in active filters in 12-bit, 14-bit and 16-bit data acquisition systems.

The AD744 is internally compensated for stable operation as a unity gain inverter or as a noninverting amplifier with a gain of two or greater. External compensation may be applied to the AD744 for stable operation as a unity gain follower. External compensation also allows the AD744 to drive 1000 pF capacitive loads, slewing at 10 V/ μ s with full stability.

Alternatively, external decompensation may be used to increase the gain bandwidth of the AD744 to over 200 MHz at high

CONNECTION DIAGRAMS

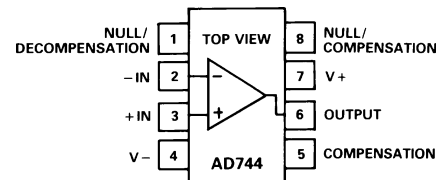
TO-99 (H) Package



8-Lead Plastic Mini-DIP (N)

8-Lead SOIC (R) Package and

8-Lead Cerdip (Q) Packages



gains. This makes the AD744 ideal for use as ac preamps in digital signal processing (DSP) front ends.

The AD744 is available in five performance grades. The AD744J and AD744K are rated over the commercial temperature range of 0 $^{\circ}$ C to +70 $^{\circ}$ C. The AD744A and AD744B are rated over the industrial temperature range of -40 $^{\circ}$ C to +85 $^{\circ}$ C. The AD744T is rated over the military temperature range of -55 $^{\circ}$ C to +125 $^{\circ}$ C and is available processed to MIL-STD-883B, Rev. C.

The AD744 is available in an 8-lead plastic mini-DIP, 8-lead small outline, 8-lead cerdip or TO-99 metal can.

PRODUCT HIGHLIGHTS

1. The AD744 is a high-speed BiFET op amp that offers excellent performance at competitive prices. It outperforms the OPA602/OPA606, LF356 and LF400.
2. The AD744 offers exceptional dynamic response. It settles to 0.01% in 500 ns and has a 100% tested minimum slew rate of 50 V/ μ s (AD744B).
3. The combination of Analog Devices' advanced processing technology, laser wafer drift trimming and well-matched ionimplanted JFETs provide outstanding dc precision. Input offset voltage, input bias current, and input offset current are specified in the warmed-up condition; all are 100% tested.

AD744—SPECIFICATIONS (@ +25°C and ±15 V dc, unless otherwise noted)

| Model | Conditions | AD744J/A/S | | | AD744K/B/T | | | Unit |
|---|---|------------|---------------------------|------|------------|---------------------------|------|----------|
| | | Min | Typ | Max | Min | Typ | Max | |
| INPUT OFFSET VOLTAGE¹ | | | | | | | | |
| Initial Offset | T_{MIN} to T_{MAX} | | 0.3 | 1.0 | | 0.25 | 0.5 | mV |
| Offset vs. Temp. | | | | 5 | 20 | | 5 | 10 |
| vs. Supply ² | T_{MIN} to T_{MAX} | 82 | 95 | | 88 | 100 | | μV/°C |
| vs. Supply | | | 82 | | | 88 | | |
| Long-Term Stability | | | 15 | | | 15 | | μV/month |
| INPUT BIAS CURRENT³ | | | | | | | | |
| Either Input | $V_{CM} = 0$ V | | 30 | 100 | | 30 | 100 | pA |
| Either Input @ $T_{MAX} =$ | $V_{CM} = 0$ V | | | | | | | |
| J, K | 70°C | | 0.7 | 2.3 | | 0.7 | 2.3 | nA |
| A, B, C | 85°C | | 1.9 | 6.4 | | 1.9 | 6.4 | nA |
| S, T | 125°C | | 31 | 102 | | 31 | 102 | nA |
| Either Input | $V_{CM} = +10$ V | | 40 | 150 | | 40 | 150 | pA |
| Offset Current | $V_{CM} = 0$ V | | 20 | 50 | | 10 | 50 | pA |
| Offset Current @ $T_{MAX} =$ | $V_{CM} = 0$ V | | | | | | | |
| J, K | 70°C | | 0.4 | 1.1 | | 0.2 | 1.1 | nA |
| A, B, C | 85°C | | 1.3 | 3.2 | | 0.6 | 3.2 | nA |
| S, T | 125°C | | 20 | 52 | | 10 | 52 | nA |
| FREQUENCY RESPONSE | | | | | | | | |
| Gain BW, Small Signal | $G = -1$ | 8 | 13 | | 9 | 13 | | MHz |
| Full Power Response | $V_O = 20$ V p-p | | 1.2 | | | 1.2 | | MHz |
| Slew Rate, Unity Gain | $G = -1$ | 45 | 75 | | 50 | 75 | | V/μs |
| Settling Time to 0.01% ⁴ | $G = -1$ | | 0.5 | 0.75 | | 0.5 | 0.75 | μs |
| Total Harmonic Distortion | $f = 1$ kHz $R_1 \geq 2$ kΩ $V_O = 3$ V rms | | 0.0003 | | | 0.0003 | | % |
| INPUT IMPEDANCE | | | | | | | | |
| Differential | | | $3 \times 10^{12} 5.5$ | | | $3 \times 10^{12} 5.5$ | | Ω pF |
| Common Mode | | | $3 \times 10^{12} 5.5$ | | | $3 \times 10^{12} 5.5$ | | Ω pF |
| INPUT VOLTAGE RANGE | | | | | | | | |
| Differential ⁵ | | | ±20 | | | ±20 | | V |
| Common-Mode Voltage | | | +14.5, -11.5 | | | +14.5, -11.5 | | V |
| Over Max Operating Range ⁶ | | -11 | | +13 | -11 | | +13 | V |
| Common-Mode Rejection Ratio | $V_{CM} = \pm 10$ V | 78 | 88 | | 82 | 88 | | dB |
| | T_{MIN} to T_{MAX} | 76 | 84 | | 80 | 84 | | dB |
| | $V_{CM} = \pm 11$ V | 72 | 84 | | 78 | 84 | | dB |
| | T_{MIN} to T_{MAX} | 70 | 80 | | 74 | 80 | | dB |
| INPUT VOLTAGE NOISE | | | | | | | | |
| | 0.1 to 10 Hz | | 2 | | | 2 | | μV p-p |
| | $f = 10$ Hz | | 45 | | | 45 | | nV/√Hz |
| | $f = 100$ Hz | | 22 | | | 22 | | nV/√Hz |
| | $f = 1$ kHz | | 18 | | | 18 | | nV/√Hz |
| | $f = 10$ kHz | | 16 | | | 16 | | nV/√Hz |
| INPUT CURRENT NOISE | | | | | | | | |
| | $f = 1$ kHz | | 0.01 | | | 0.01 | | pA/√Hz |
| OPEN LOOP GAIN⁷ | | | | | | | | |
| | $V_O = \pm 10$ V | 200 | 400 | | 250 | 400 | | V/mV |
| | $R_{LOAD} \geq 2$ kΩ | 100 | | | 100 | | | V/mV |
| | T_{MIN} to T_{MAX} | | | | | | | |
| OUTPUT CHARACTERISTICS | | | | | | | | |
| Voltage | $R_{LOAD} \geq 2$ kΩ | +13, -12.5 | +13.9, -13.3 | | +13, -12.5 | +13.9, -13.3 | | V |
| | T_{MIN} to T_{MAX} | ±12 | +13.8, -13.1 | | ±12 | +13.8, -13.1 | | V |
| Current | Short Circuit | | 25 | | | 25 | | mA |
| Capacitive Load ⁸ | Gain = -1 | | | 1000 | | | 1000 | pF |
| POWER SUPPLY | | | | | | | | |
| Rated Performance | | | ±15 | | | ±15 | | V |
| Operating Range | | ±4.5 | | ±18 | ±4.5 | | ±18 | V |
| Quiescent Current | | | 3.5 | 5.0 | | 3.5 | 4.0 | mA |

NOTES

¹Input offset voltage specifications are guaranteed after 5 minutes of operation at $T_A = +25^\circ\text{C}$.

²PSRR test conditions: $+V_S = 15$ V, $-V_S = -12$ V to -18 V and $+V_S = +12$ V to $+18$ V, $-V_S = -15$ V.

³Bias Current Specifications are guaranteed maximum at either input after 5 minutes of operation at $T_A = +25^\circ\text{C}$. For higher temperature, the current doubles every 10°C .

⁴Gain = -1, $R_1 = 2$ k, $C_L = 10$ pF, refer to Figure 25.

⁵Defined as voltage between inputs, such that neither exceeds ±10 V from ground.

⁶Typically exceeding -14.1 V negative common-mode voltage on either input results in an output phase reversal.

⁷Open-Loop Gain is specified with V_{OS} both nulled and unnullled.

⁸Capacitive load drive specified for $C_{COMP} = 20$ pF with the device connected as shown in Figure 32. Under these conditions, slew rate = 14 V/μs and 0.01% settling time = 1.5 μs typical.

Refer to Table II for optimum compensation while driving a capacitive load.

Specifications subject to change without notice. All min and max specifications are guaranteed.

ABSOLUTE MAXIMUM RATINGS¹

| | |
|---|-------------------------------------|
| Supply Voltage | ±18 V |
| Internal Power Dissipation ² | 500 mW |
| Input Voltage ³ | ±18 V |
| Output Short Circuit Duration | Indefinite |
| Differential Input Voltage | +V _S and -V _S |
| Storage Temperature Range (Q, H) | -65°C to +150°C |
| Storage Temperature Range (N, R) | -65°C to +125°C |
| Operating Temperature Range | |
| AD744J/K | 0°C to +70°C |
| AD744A/B | -40°C to +85°C |
| AD744S/T | -55°C to +125°C |
| Lead Temperature Range (Soldering 60 seconds) | 300°C |

NOTES

¹Stresses above those listed under Absolute Maximum Ratings may cause permanent damage to the device. This is a stress rating only; functional operation of the device at these or any other conditions above those indicated in the operational section of this specification is not implied. Exposure to absolute maximum rating conditions for extended periods may affect device reliability.

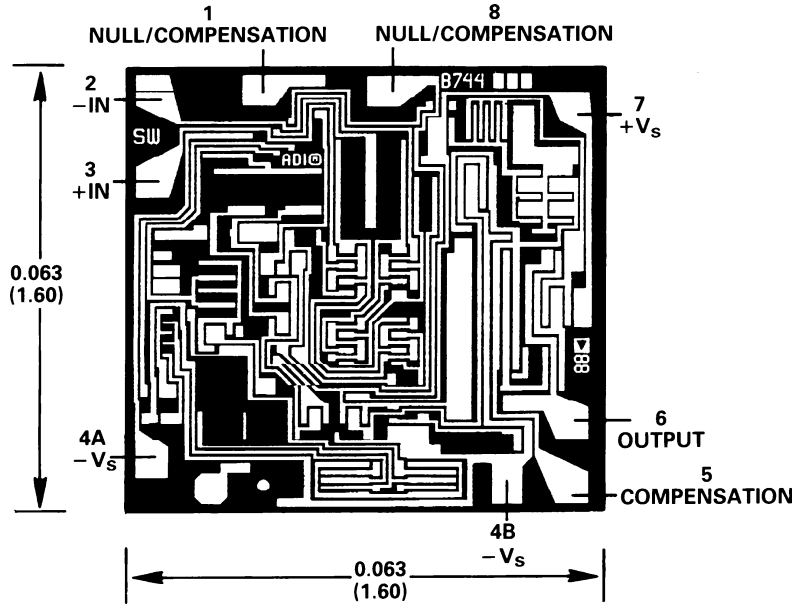
²Thermal Characteristics

- 8-Lead Plastic Package: $\theta_{JA} = 100^\circ\text{C/Watt}$, $\theta_{JC} = 33^\circ\text{C/Watt}$
- 8-Lead Cerdip Package: $\theta_{JA} = 110^\circ\text{C/Watt}$, $\theta_{JC} = 22^\circ\text{C/Watt}$
- 8-Lead Metal Can Package: $\theta_{JA} = 150^\circ\text{C/Watt}$, $\theta_{JC} = 65^\circ\text{C/Watt}$
- 8-Lead SOIC Package: $\theta_{JA} = 160^\circ\text{C/Watt}$, $\theta_{JC} = 42^\circ\text{C/Watt}$

³For supply voltages less than ±18 V, the absolute maximum input voltage is equal to the supply voltage.

METALIZATION PHOTOGRAPH

Contact factory for latest dimensions.
Dimensions shown in inches and (mm).



AD744—Typical Characteristics

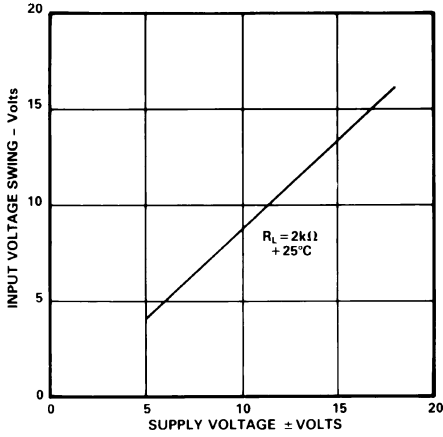


Figure 1. Input Voltage Swing vs. Supply Voltage

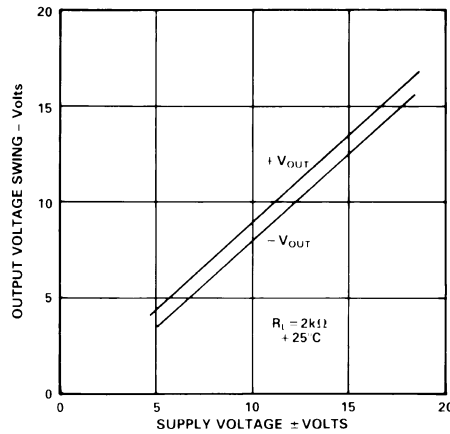


Figure 2. Output Voltage Swing vs. Supply Voltage

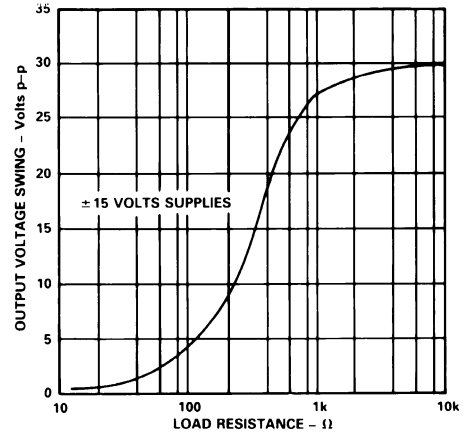


Figure 3. Output Voltage Swing vs. Load Resistance

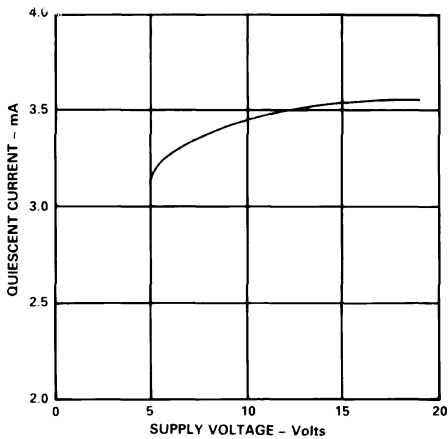


Figure 4. Quiescent Current vs. Supply Voltage

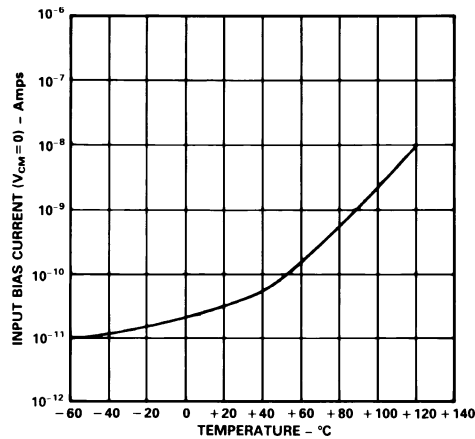


Figure 5. Input Bias Current vs. Temperature

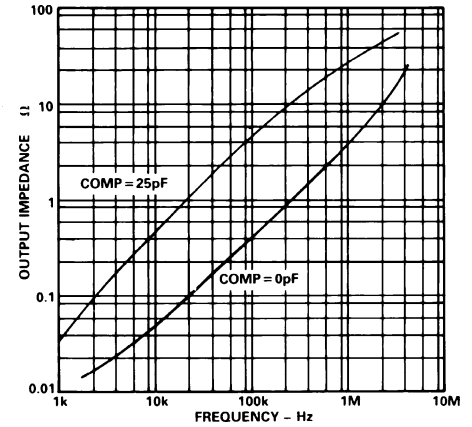


Figure 6. Output Impedance vs. Frequency

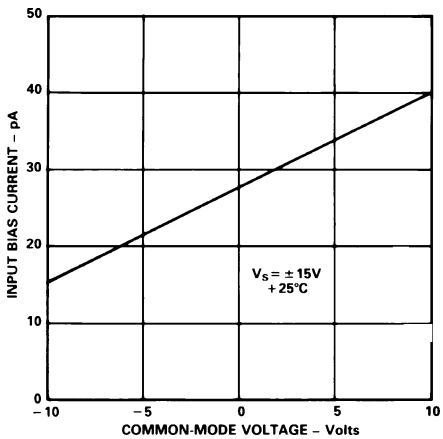


Figure 7. Input Bias Current vs. Common-Mode Voltage

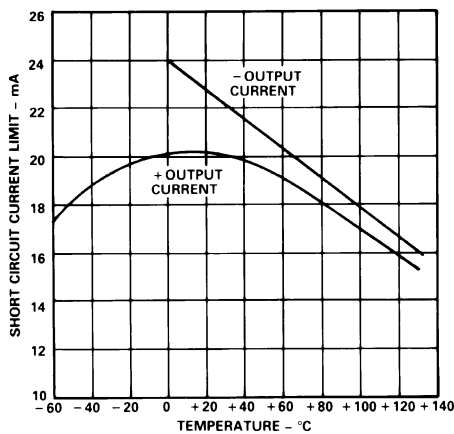


Figure 8. Short Circuit Current Limit vs. Temperature

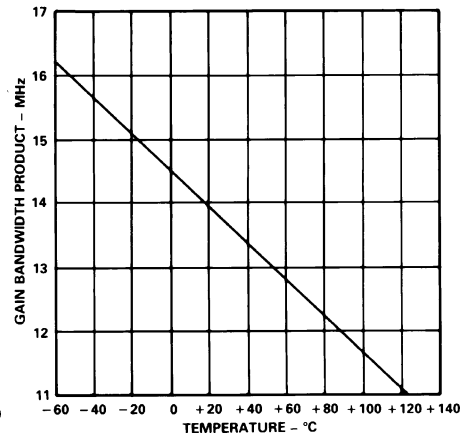


Figure 9. Gain Bandwidth Product vs. Temperature

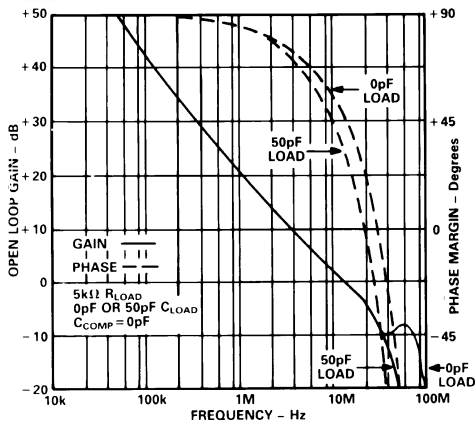


Figure 10. Open-Loop Gain and Phase Margin vs. Frequency
 $C_{COMP} = 0 \text{ pF}$

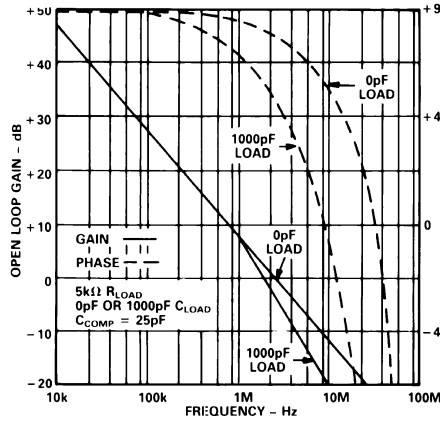


Figure 11. Open Loop Gain and Phase Margin vs. Frequency
 $C_{COMP} = 25 \text{ pF}$

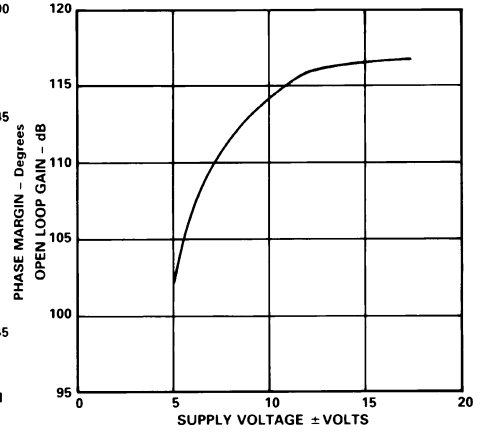


Figure 12. Open-Loop Gain vs. Supply Voltage

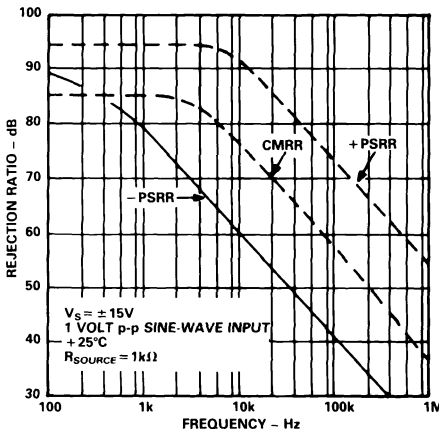


Figure 13. Common-Mode and Power Supply Rejection vs. Frequency

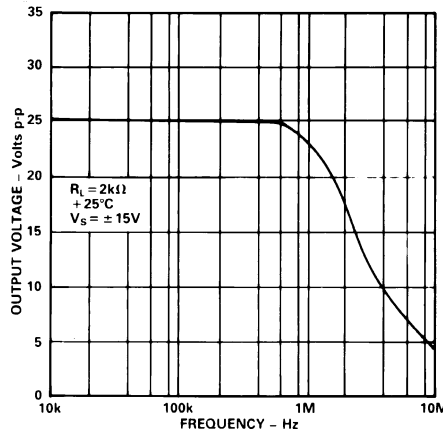


Figure 14. Large Signal Frequency Response

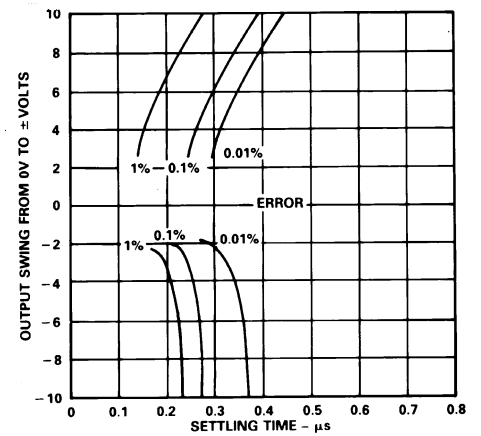


Figure 15. Output Swing and Error vs. Settling Time

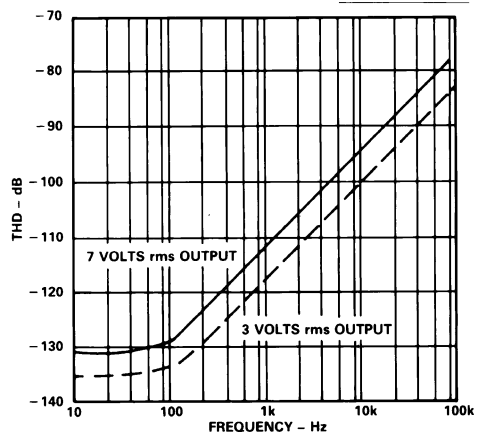


Figure 16. Total Harmonic Distortion vs. Frequency, Circuit of Figure 20
($G = 10$)

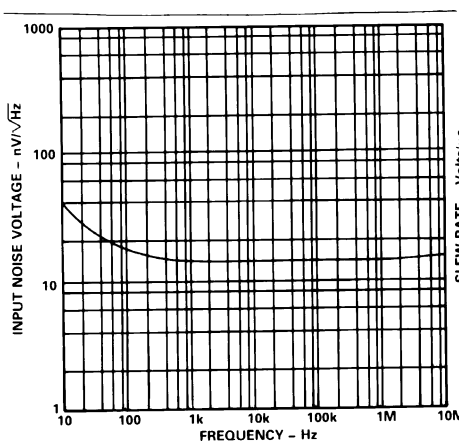


Figure 17. Input Noise Voltage Spectral Density

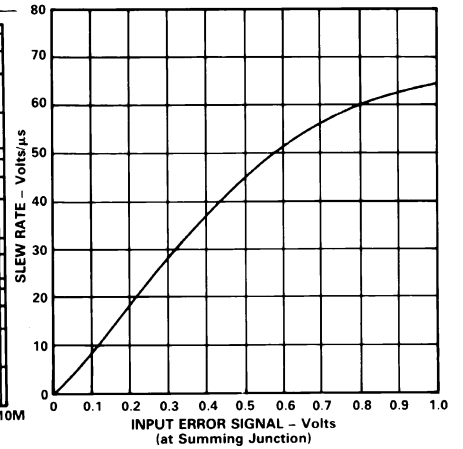


Figure 18. Slew Rate vs. Input Error Signal

AD744—Typical Characteristics

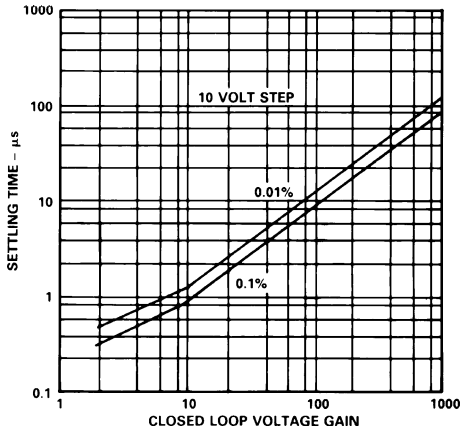


Figure 19. Settling Time vs. Closed Loop Voltage Gain

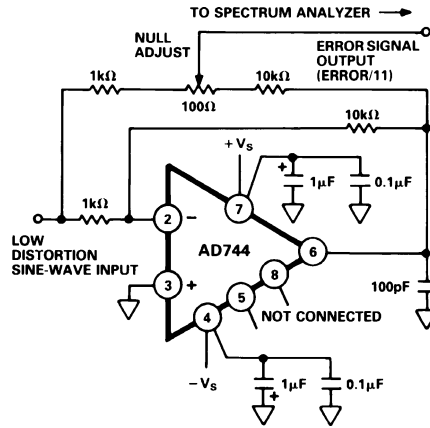


Figure 20. THD Test Circuit

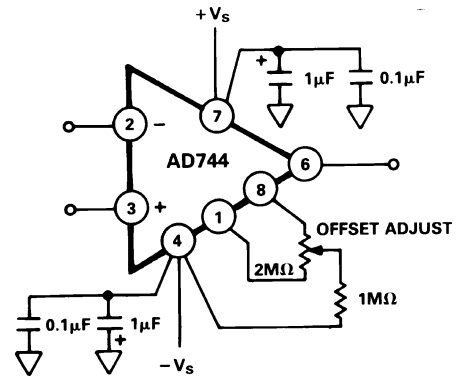


Figure 21. Offset Null Configuration

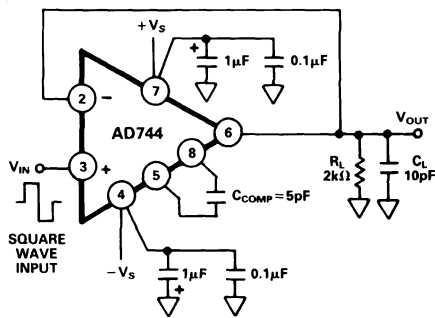


Figure 22a. Unity-Gain Follower

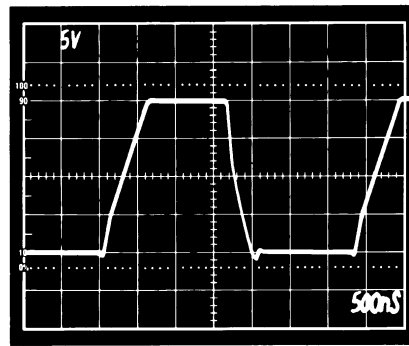


Figure 22b. Unity-Gain Follower Large Signal Pulse Response, $C_{COMP} = 5 \text{ pF}$

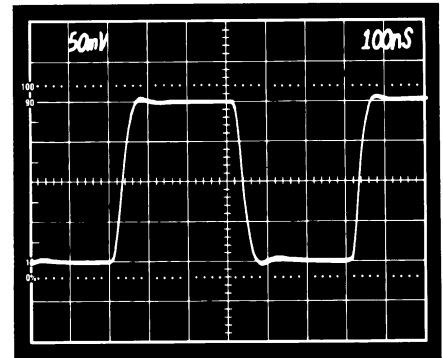


Figure 22c. Unity-Gain Follower Small Signal Pulse Response, $C_{COMP} = 5 \text{ pF}$

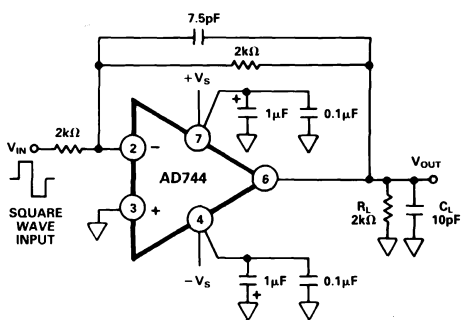


Figure 23a. Unity-Gain Inverter

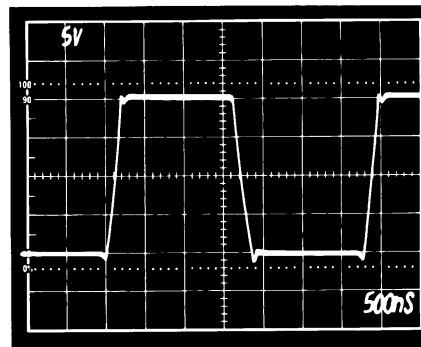


Figure 23b. Unity-Gain Inverter Large Signal Pulse Response, $C_{COMP} = 5 \text{ pF}$

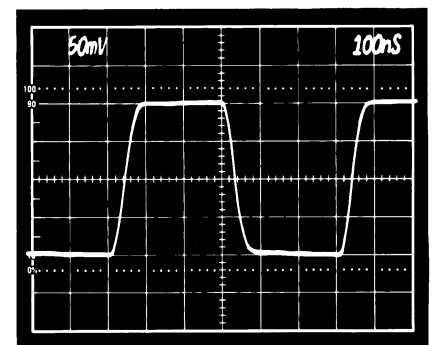


Figure 23c. Unity-Gain Inverter Small Signal Pulse Response, $C_{COMP} = 0 \text{ pF}$

POWER SUPPLY BYPASSING

The power supply connections to the AD744 must maintain a low impedance to ground over a bandwidth of 10 MHz or more. This is especially important when driving a significant resistive or capacitive load, since all current delivered to the load comes from the power supplies. Multiple high quality bypass capacitors are recommended for each power supply line in any critical application. A 0.1 μF ceramic and a 1 μF electrolytic capacitor as shown in Figure 24 placed as close as possible to the amplifier (with short lead lengths to power supply common) will assure adequate high frequency bypassing, in most applications. A minimum bypass capacitance of 0.1 μF should be used for any application.

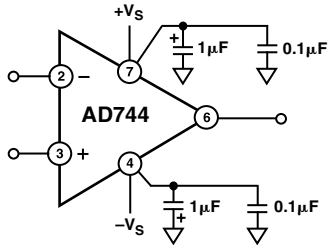


Figure 24. Recommended Power Supply Bypassing

MEASURING AD744 SETTLING TIME

The photos of Figures 26 and 27 show the dynamic response of the AD744 while operating in the settling time test circuit of Figure 25. The input of the settling time fixture is driven by a flat-top pulse generator. The error signal output from the false summing node of A1, the AD744 under test, is clamped, amplified by op amp A2 and then clamped again.

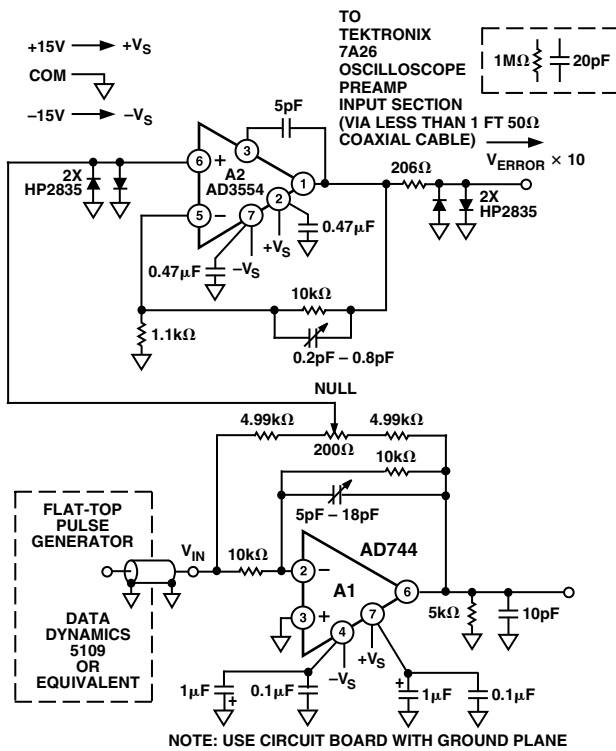


Figure 25. Settling Time Test Circuit

The error signal is thus clamped twice: once to prevent overloading amplifier A2 and then a second time to avoid overloading the oscilloscope preamp. A Tektronix oscilloscope preamp type 7A26 was carefully chosen because it recovers from the approximately 0.4 V overload quickly enough to allow accurate measurement of the AD744's 500 ns settling time. Amplifier A2 is a very high-speed FET-input op amp; it provides a voltage gain of 10, amplifying the error signal output of the AD744 under test.

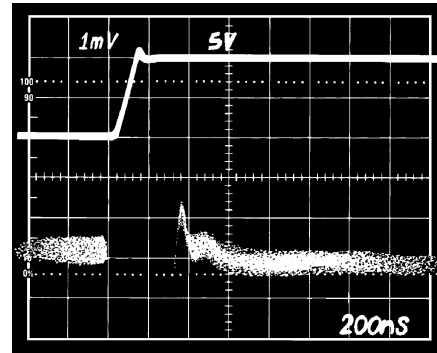


Figure 26. Settling Characteristics 0 to +10 V Step
Upper Trace: Output of AD744 Under Test (5 V/div.)
Lower Trace: Amplified Error Voltage (0.01%/div.)

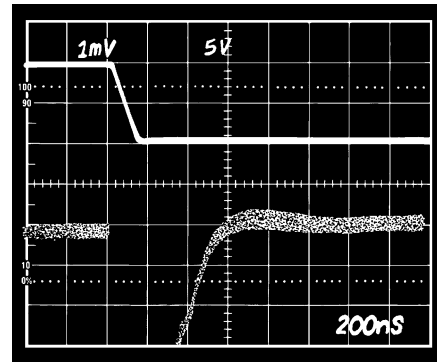


Figure 27. Settling Characteristics 0 to -10 V Step
Upper Trace: Output of AD744 Under Test (5 V/div.)
Lower Trace: Amplified Error Voltage (0.01%/div.)

AD744

EXTERNAL FREQUENCY COMPENSATION

Even though the AD744 is useable without compensation in most applications, it may be externally compensated for even more flexibility. This is accomplished by connecting a capacitor between Pins 5 and 8. Figure 28, a simplified schematic of the AD744, shows where this capacitor is connected. This feature is useful because it allows the AD744 to be used as a unity gain voltage follower. It also enables the amplifier to drive capacitive loads up to 2000 pF and greater.

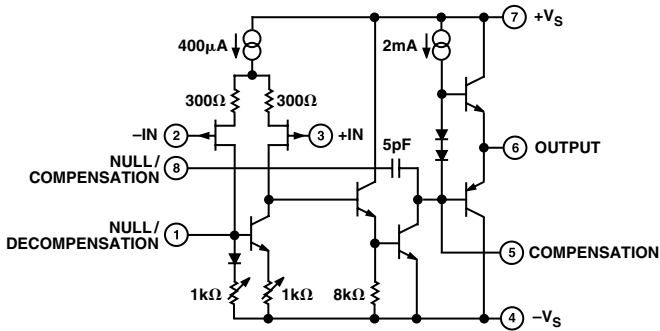


Figure 28. AD744 Simplified Schematic

The slew rate and gain bandwidth product of the AD744 are inversely proportional to the value of the compensation capacitor, C_{COMP} . Therefore, when trying to maximize the speed of the amplifier, the value of C_{COMP} should be minimized. C_{COMP} can also be used to slow the amplifier to a point where the slew rate is perfectly symmetrical and well controlled. Figure 29 summarizes the effect of external compensation on slew rate and bandwidth.

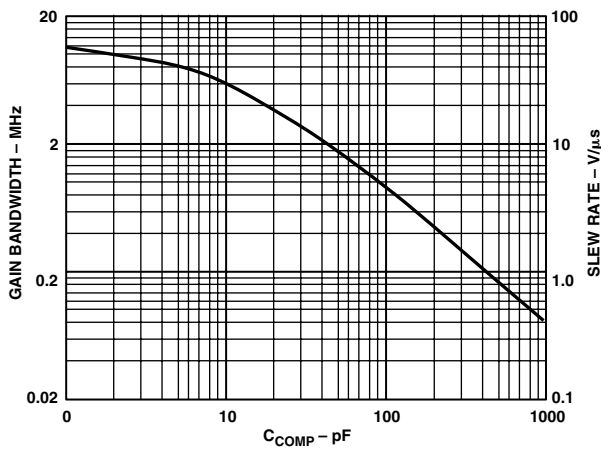


Figure 29. Gain Bandwidth and Slew Rate vs. C_{COMP}

The following section provides tables to show what C_{COMP} values will provide the necessary compensation for given circuit configurations and capacitive loads. In each case, the recommended C_{COMP} is a minimum value. A larger C_{COMP} can always be used, but slew rate and bandwidth performance will be degraded.

Figure 30 shows the AD744 configured as a unity gain voltage follower. In this case, a minimum compensation capacitor of 5 pF is necessary for stable operation. Larger compensation capacitors can be used for driving larger capacitive loads. Table I outlines recommended minimum values for C_{COMP} based on the desired capacitive load. It also gives the slew rate and bandwidth that will be achieved for each case.

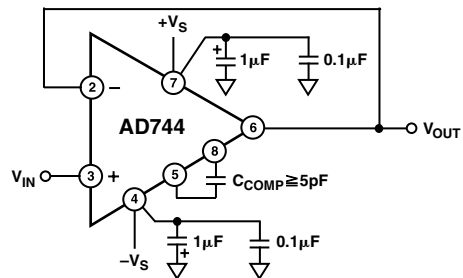


Figure 30. AD744 Connected as a Unity Gain Voltage Follower

Table I. Recommended Values of C_{COMP} vs. Various Capacitive Loads

| Gain | Max C_{LOAD} (pF) | C_{COMP} (pF) | Slew Rate (V/μs) | -3 dB Bandwidth (MHz) |
|------|---------------------|-----------------|------------------|-----------------------|
| 1 | 50 | 5 | 37 | 6.5 |
| 1 | 150 | 10 | 25 | 4.3 |
| 1 | 2000 | 25 | 12.5 | 2.0 |

Figures 31 and 32 show the AD744 as a voltage follower with gain and as an inverting amplifier. In these cases, external compensation is not necessary for stable operation. However, compensation may be applied to drive capacitive loads above 50 pF. Table II gives recommended C_{COMP} values, along with expected slew rates and bandwidths for a variety of load conditions and gains for the circuits in Figures 31 and 32.

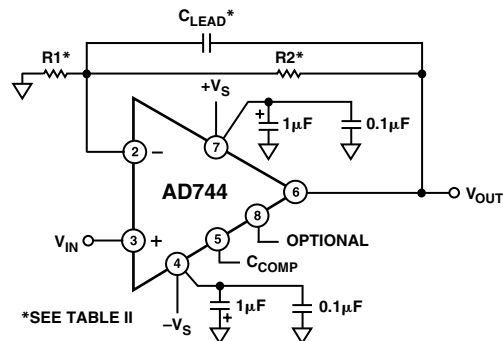


Figure 31. AD744 Connected as a Voltage Follower Operating at Gains of 2 or Greater

Table II. Recommended Values of C_{COMP} vs. Various Load Conditions for the Circuits of Figures 31 and 32.

| R1 (Ω) | R2 (Ω) | Gain Follower | Gain Inverter | Max C_{LOAD} (pF) | C_{COMP} (pF) | C_{LEAD} (pF) | Slew Rate (V/ μ s) | -3 dB Bandwidth (MHz) |
|-----------------|-----------------|---------------|---------------|---------------------|-----------------|-----------------|------------------------|-----------------------|
| 4.99 k | 4.99 k | 2 | 1 | 50 | 0 | 7 | 75 | 2.5 ¹ |
| 4.99 k | 4.99 k | 2 | 1 | 150 | 5 | 7 | 37 | 2.3 ¹ |
| 4.99 k | 4.99 k | 2 | 1 | 1000 | 20 | – | 14 | 1.2 |
| 4.99 k | 4.99 k | 2 | 1 | >2000 | 25 | – | 12.5 ² | 1.0 |
| 499 Ω | 4.99 k | 11 | 10 | 270 | 0 | – | 75 | 1.2 |
| 499 Ω | 4.99 k | 11 | 10 | 390 | 2 | – | 50 | 0.85 |
| 499 Ω | 4.99 k | 11 | 10 | 1000 | 5 | – | 37 ² | 0.60 |

NOTES

¹Bandwidth with C_{LEAD} adjusted for minimum settling time.

²Into large capacitive loads the AD744's 25 mA output current limit sets the slew rate of the amplifier, in V/ μ s, equal to 0.025 amps divided by the value of C_{LOAD} in μ F. Slew rate is specified into rated max C_{LOAD} except for cases marked ², which are specified with a 50 pF load.

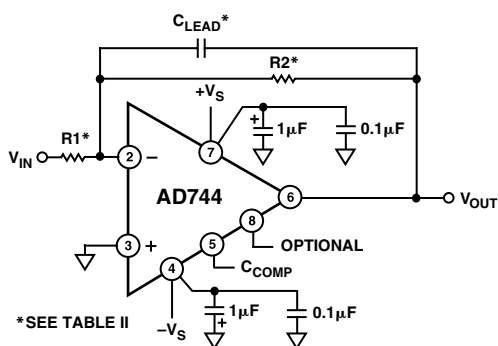


Figure 32. AD744 Connected as an Inverting Amplifier Operating at Gains of 1 or Greater

Using Decompensation to Extend the Gain Bandwidth Product

When the AD744 is used in applications where the closed-loop gain is greater than 10, gain bandwidth product may be enhanced by connecting a small capacitor between Pins 1 and 5 (Figure 33). At low frequencies, this capacitor cancels the effects of the chip's internal compensation capacitor, C_{COMP} , effectively decompensating the amplifier.

Due to manufacturing variations in the value of the internal C_{COMP} , it is recommended that the amplifier's response be optimized for the desired gain by using a 2 to 10 pF trimmer capacitor rather than using a fixed value.

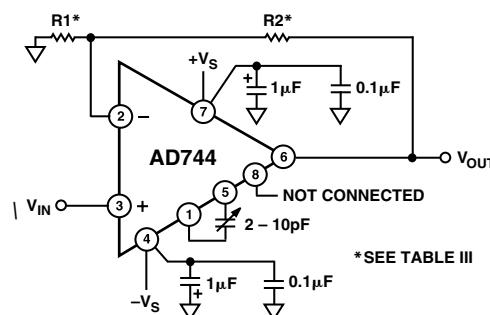


Figure 33. Using the Decompensation Connection to Extend Gain Bandwidth

Table III. Performance Summary for the Circuit of Figure 33

| R1 (Ω) | R2 (Ω) | Gain Follower | Gain Inverter | -3 dB Bandwidth | Gain/BW Product |
|-----------------|-----------------|---------------|---------------|-----------------|-----------------|
| 1 k | 10 k | 11 | 10 | 2.5 MHz | 25 MHz |
| 100 | 10 k | 101 | 100 | 760 kHz | 76 MHz |
| 100 | 100 k | 1001 | 1000 | 225 kHz | 225 MHz |

Table IV. Performance Summary for the 3 Op Amp Instrumentation Amplifier Circuit

| Gain | RG | Bandwidth | T Settle (0.01%) |
|------|---------|-----------|------------------|
| 1 | NC | 3.5 MHz | 1.5 μs |
| 2 | 20 kΩ | 2.5 MHz | 1.0 μs |
| 10 | 2.22 kΩ | 1 MHz | 2 μs |
| 100 | 202 Ω | 290 kHz | 5 μs |

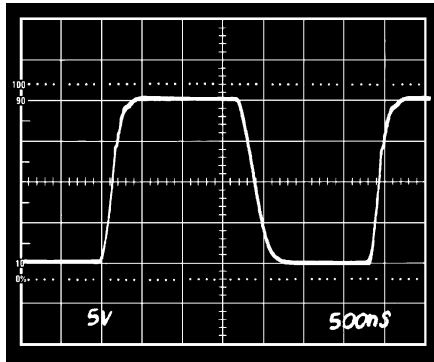


Figure 37. The Pulse Response of the 3 Op Amp Instrumentation Amplifier. Gain = 1, 1 Horizontal Scale: 0.5 μV/div., Vertical Scale: 5 V/div. (Gain= 10)

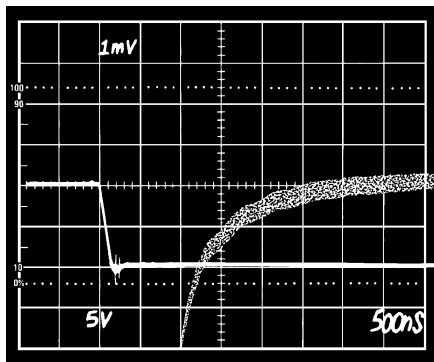


Figure 38. Settling Time of the 3 Op Amp Instrumentation Amplifier. Horizontal Scale: 500 ns/div., Vertical Scale, Pulse Input: 5 V/div., Output Settling: 1 mV/div.

Minimizing Settling Time in Real-World Applications

An amplifier with a “single pole” or “ideal” integrator open-loop frequency response will achieve the minimum possible settling time for any given unity-gain bandwidth. However, when this “ideal” amplifier is used in a practical circuit, the actual settling time is increased above the minimum value because of added time constants which are introduced due to additional capacitance on the amplifier’s summing junction. The following discussion will explain how to minimize this increase in settling time by the selection of the proper value for feedback capacitor, C_L .

If an op amp is modeled as an ideal integrator with a unity gain crossover frequency, f_0 , Equation 1 will accurately describe the small signal behavior of the circuit of Figure 39. This circuit models an op amp connected as an I-to-V converter.

Equation 1 would completely describe the output of the system if not for the op amp’s finite slew rate and other nonlinear effects. Even considering these effects, the fine scale settling to <0.1% will be determined by the op amp’s small signal behavior. Equation 1.

$$\frac{V_O}{I_{IN}} = \frac{-R}{\frac{R(C_L + C_X)}{2\pi F_0} s^2 + \left(\frac{G_N}{2\pi F_0} + RC_L\right) s + 1}$$

Where F_0 = the op amp’s unity gain crossover frequency

$$G_N = \text{the “noise” gain of the circuit} \left(1 + \frac{R}{R_O}\right)$$

This Equation May Then Be Solved for C_L :

Equation 2.

$$C_L = \frac{2 - G_N}{R2\pi F_0} + \frac{2\sqrt{RC_X 2\pi F_0 + (1 - G_N)}}{R2\pi F_0}$$

In these equations, capacitance C_X is the total capacitance appearing at the inverting terminal of the op amp. When modeling an I-to-V converter application, the Norton equivalent circuit of Figure 39 can be used directly. Capacitance C_X is the total capacitance of the output of the current source plus the input capacitance of the op amp, which includes any stray capacitance at the op amp’s input.

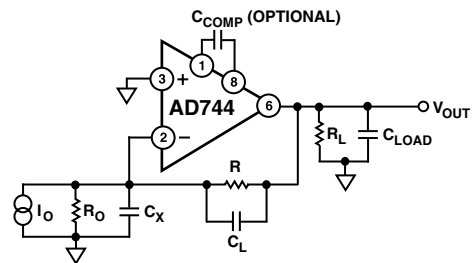


Figure 39. A Simplified Model of the AD744 Used as a Current-to-Voltage Converter

When R_O and I_O are replaced with their Thevenin V_{IN} and R_{IN} equivalents, the general purpose inverting amplifier model of Figure 40 is created. Here capacitor C_X represents the input capacitance of the AD744 (5.5 pF) plus any stray capacitance due to wiring and the type of IC package employed.

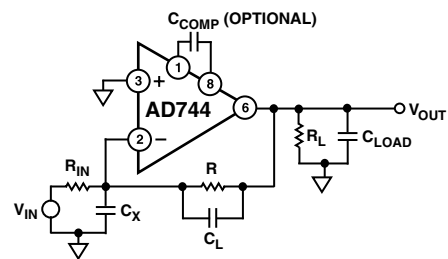


Figure 40. A Simplified Model of the AD744 Used as an Inverting Amplifier

AD744

In either case, the capacitance C_X causes the system to go from a one-pole to a two-pole response; this additional pole increases settling time by introducing peaking or ringing in the op amp's output. If the value of C_X can be estimated with reasonable accuracy, Equation 2 can be used to choose the correct value for a small capacitor, C_L , which will optimize amplifier response. If the value of C_X is not known, C_L should be a variable capacitor.

As an aid to the designer, the optimum value of C_L for one specific amplifier connection can be determined from the graph of Figure 41. This graph has been produced for the case where the AD744 is connected as in Figures 39 and 40 with a practical minimum value for C_{STRAY} of 2 pF and a total C_X value of 7.5 pF.

The approximate value of C_L can be determined for almost any application by solving Equation 2. For example, the AD565/AD744 circuit of Figure 34 constrains all the variables of Equation 2 ($G_N = 3.25$, $R = 10\text{ k}\Omega$, $F_O = 13\text{ MHz}$, and $C_X = 32.5\text{ pF}$). Therefore, under these conditions, $C_L = 10.5\text{ pF}$.

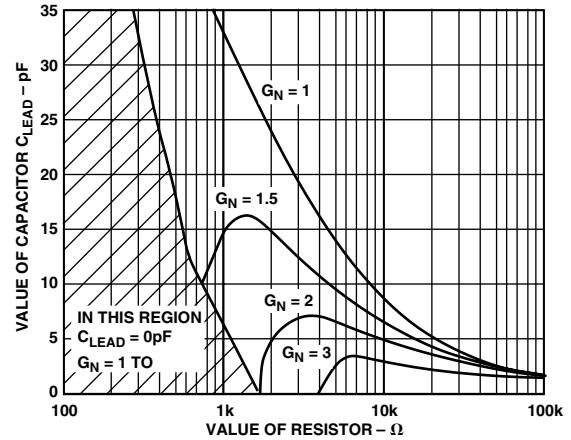
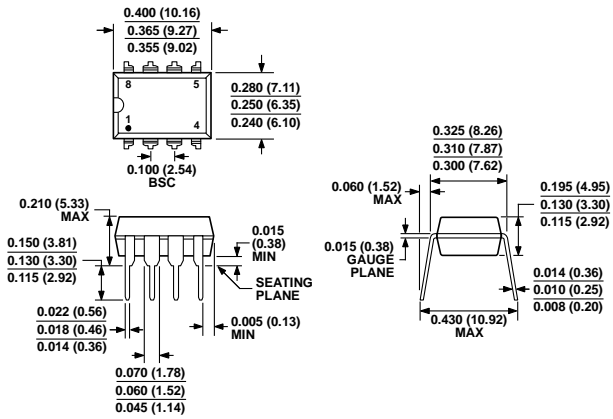


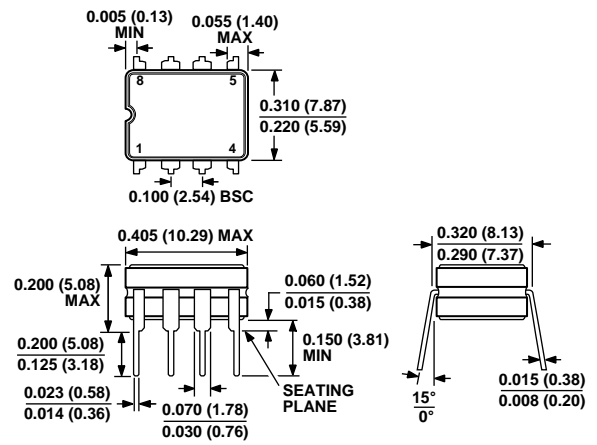
Figure 41. Practical Values of C_L vs. Resistance of R for Various Amplifier Noise Gains

OUTLINE DIMENSION



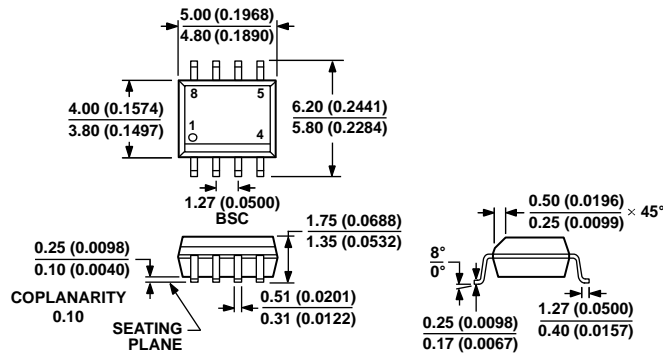
COMPLIANT TO JEDEC STANDARDS MS-001
 CONTROLLING DIMENSIONS ARE IN INCHES; MILLIMETER DIMENSIONS (IN PARENTHESES) ARE ROUNDED-OFF INCH EQUIVALENTS FOR REFERENCE ONLY AND ARE NOT APPROPRIATE FOR USE IN DESIGN. CORNER LEADS MAY BE CONFIGURED AS WHOLE OR HALF LEADS.

Figure 42. 8-Lead Plastic Dual In-Line Package [PDIP] Narrow Body (N-8)
 Dimensions shown in inches and (millimeters)



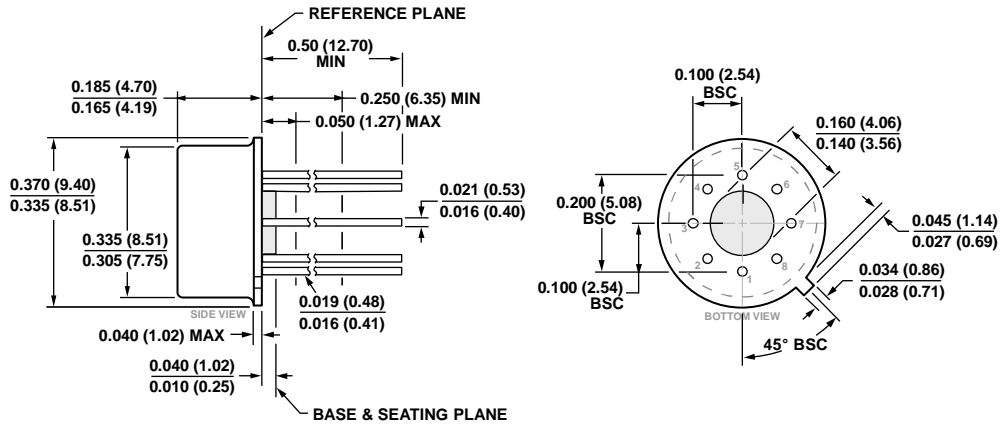
CONTROLLING DIMENSIONS ARE IN INCHES; MILLIMETER DIMENSIONS (IN PARENTHESES) ARE ROUNDED-OFF INCH EQUIVALENTS FOR REFERENCE ONLY AND ARE NOT APPROPRIATE FOR USE IN DESIGN.

Figure 43. 8-Lead Ceramic Dual In-Line Package [CERDIP] (Q-8)
 Dimensions shown in inches and (millimeters)



COMPLIANT TO JEDEC STANDARDS MS-012-AA
 CONTROLLING DIMENSIONS ARE IN MILLIMETERS; INCH DIMENSIONS (IN PARENTHESES) ARE ROUNDED-OFF MILLIMETER EQUIVALENTS FOR REFERENCE ONLY AND ARE NOT APPROPRIATE FOR USE IN DESIGN.

Figure 44. 8-Lead Standard Small Outline Package [SOIC_N] Narrow Body (R-8)
 Dimensions shown in inches and (millimeters)



COMPLIANT TO JEDEC STANDARDS MO-002-AK
 CONTROLLING DIMENSIONS ARE IN INCHES; MILLIMETER DIMENSIONS
 (IN PARENTHESES) ARE ROUNDED-OFF INCH EQUIVALENTS FOR
 REFERENCE ONLY AND ARE NOT APPROPRIATE FOR USE IN DESIGN.

01-15-2015-B

Figure 45. 8-Pin Metal Header [TO_99]
 (H-08)
 Dimensions shown in inches and (millimeters)

ORDERING GUIDE

| Model ¹ | Temperature Range | Package Description | Package Option |
|--------------------|-------------------|--|----------------|
| AD744JR | 0°C to +70°C | 8-Lead Standard Small Outline Package [SOIC_N] | R-8 |
| AD744JRZ | 0°C to +70°C | 8-Lead Standard Small Outline Package [SOIC_N] | R-8 |
| AD744JR-REEL | 0°C to +70°C | 8-Lead Standard Small Outline Package [SOIC_N] | R-8 |
| AD744KRZ | 0°C to +70°C | 8-Lead Standard Small Outline Package [SOIC_N] | R-8 |
| AD744KRZ-REEL | 0°C to +70°C | 8-Lead Standard Small Outline Package [SOIC_N] | R-8 |
| AD744KRZ-REEL7 | 0°C to +70°C | 8-Lead Standard Small Outline Package [SOIC_N] | R-8 |
| AD744AQ | -40°C to +85°C | 8-Lead Ceramic Dual In-Line Package [CERDIP] | Q-8 |
| AD744BQ | -40°C to +85°C | 8-Lead Ceramic Dual In-Line Package [CERDIP] | Q-8 |
| AD744JNZ | -40°C to +85°C | 8-Lead Plastic Dual In-Line Package [PDIP] | N-8 |
| AD744KNZ | -40°C to +85°C | 8-Lead Plastic Dual In-Line Package [PDIP] | N-8 |
| AD744JCHIPS | 0°C to +70°C | | Die |
| AD744TH/883B | -55°C to +125°C | 8-Pin Metal Header [TO-99] | H-08 |

¹ Z = RoHS Compliant Part.

REVISION HISTORY



10/2017—Rev. C to Rev. D

Updated Outline Dimensions 14
Changes to Ordering Guide 14

7/2000—Rev. B to Rev. C

Looking for pricing, stock, or lifecycle information?

Click below to explore more details on WIN SOURCE:

-  [View AD744JN on WIN SOURCE](#)
-  [Analog Devices Inc. Information](#)

Optimize Your Supply Chain with WIN SOURCE Solutions

-  Global Sourcing Solution
-  Obsolete Management
-  Cost Control Management
-  Shortage Management
-  Alternative Solution
-  Excess Inventory Management