



**THE DATASHEET OF
TRS3223EIPWR**



FEATURES

- ESD Protection for RS-232 Bus Pins
 - ± 15 -kV Human-Body Model (HBM)
 - ± 8 -kV IEC61000-4-2, Contact Discharge
 - ± 15 -kV IEC61000-4-2, Air-Gap Discharge
- Meets or Exceeds the Requirements of TIA/EIA-232-F and ITU v.28 Standards
- Operates With 3-V to 5.5-V V_{CC} Supply
- Operates up to 500 kbit/s
- Two Drivers and Two Receivers
- Low Standby Current . . . 1 μ A Typ
- External Capacitors . . . $4 \times 0.1 \mu$ F
- Accepts 5-V Logic Input With 3.3-V Supply
- Alternative High-Speed Pin-Compatible Device (1 Mbit/s) for TRSF3223E

APPLICATIONS

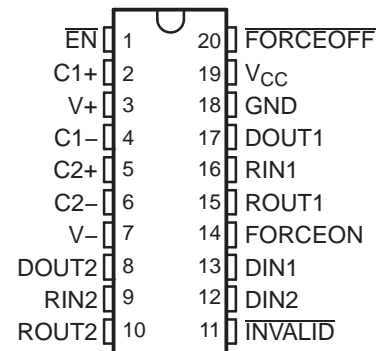
- Battery-Powered Systems
- PDAs
- Notebooks
- Laptops
- Palmtop PCs
- Hand-Held Equipment

DESCRIPTION/ ORDERING INFORMATION

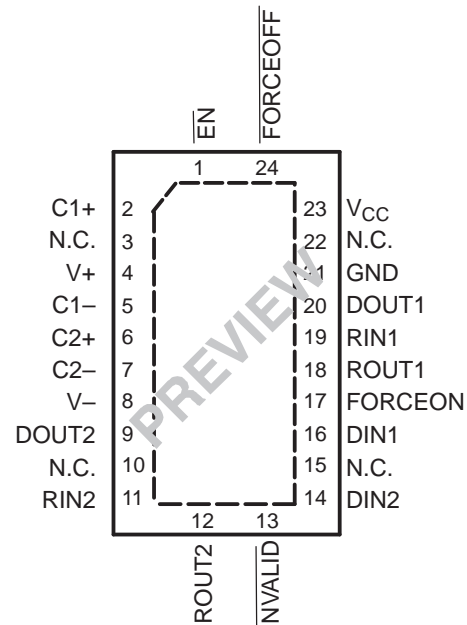
The TRS3223E consists of two line drivers, two line receivers, and a dual charge-pump circuit with ± 15 -kV ESD protection pin to pin (serial-port connection pins, including GND). The device meets the requirements of TIA/EIA-232-F and provides the electrical interface between an asynchronous communication controller and the serial-port connector. The charge pump and four small external capacitors allow operation from a single 3-V to 5.5-V supply. The device operates at typical data signaling rates up to 500 kbit/s and a maximum of 30-V/ μ s driver output slew rate.

Flexible control options for power management are available when the serial port is inactive. The auto-powerdown feature functions when $\overline{\text{FORCEON}}$ is low and $\overline{\text{FORCEOFF}}$ is high. During this mode of operation, if the device does not sense a valid RS-232 signal, the driver outputs are disabled. If $\overline{\text{FORCEOFF}}$ is set low and EN is high, both drivers and receivers are shut off, and the supply current is reduced to 1 mA. Disconnecting the serial port or turning off the peripheral drivers causes auto-powerdown to occur. Auto-powerdown can be disabled when $\overline{\text{FORCEON}}$ and $\overline{\text{FORCEOFF}}$ are high. With auto-powerdown enabled, the device is activated automatically when a valid signal is applied to any receiver input. The $\overline{\text{INVALID}}$ output is used to notify the user if an RS-232 signal is present at any receiver input. $\overline{\text{INVALID}}$ is high (valid data) if any receiver input voltage is greater than 2.7 V or less than -2.7 V, or has been between -0.3 V and 0.3 V for less than 30 μ s. $\overline{\text{INVALID}}$ is low (invalid data) if the receiver input voltage is between -0.3 V and 0.3 V for more than 30 μ s. Refer to Figure 4 for receiver input levels.

DB, DW, OR PW PACKAGE
(TOP VIEW)



RHL PACKAGE
(TOP VIEW)



N.C. – No internal connection



Please be aware that an important notice concerning availability, standard warranty, and use in critical applications of Texas Instruments semiconductor products and disclaimers thereto appears at the end of this data sheet.

TRS3223E
3-V TO 5.5-V MULTICHANNEL RS-232 LINE DRIVER/RECEIVER
WITH ±15-kV ESD PROTECTION

SLLS794–JUNE 2007

ORDERING INFORMATION

| T _A | PACKAGE ⁽¹⁾⁽²⁾ | | ORDERABLE PART NUMBER | TOP-SIDE MARKING |
|----------------|---------------------------|--------------|-----------------------|------------------|
| 0°C to 70°C | QFN – RHL | Reel of 2000 | TRS3223ECRHLR | PREVIEW |
| | SOIC – DW | Tube of 25 | TRS3223ECDW | TRS3223EC |
| | | Reel of 2000 | TRS3223ECDWR | |
| | SSOP – DB | Tube of 70 | TRS3223ECDB | RS23EC |
| | | Reel of 2000 | TRS3223ECDBR | |
| | TSSOP – PW | Tube of 70 | TRS3223ECPW | RS23EC |
| | | Reel of 2000 | TRS3223ECPWR | |
| | –40°C to 85°C | QFN – RHL | Reel of 2000 | TRS3223EIRHLR |
| SOIC – DW | | Tube of 25 | TRS3223EIDW | TRS3223EI |
| | | Reel of 2000 | TRS3223EIDWR | |
| SSOP – DB | | Tube of 70 | TRS3223EIDB | RS23EI |
| | | Reel of 2000 | TRS3223EIDBR | |
| TSSOP – PW | | Tube of 70 | TRS3223EIPW | RS23EI |
| | | Reel of 2000 | TRS3223EIPWR | |

- (1) Package drawings, standard packing quantities, thermal data, symbolization, and PCB design guidelines are available at www.ti.com/sc/package.
(2) For the most current package and ordering information, see the Package Option Addendum at the end of this document, or see the TI website at www.ti.com.

FUNCTION TABLES

EACH DRIVER⁽¹⁾

| INPUTS | | | | OUTPUT DOUT | DRIVER STATUS |
|--------|---------|----------|------------------------|-------------|---|
| DIN | FORCEON | FORCEOFF | VALID RIN RS-232 LEVEL | | |
| X | X | L | X | Z | Powered off |
| L | H | H | X | H | Normal operation with auto-powerdown disabled |
| H | H | H | X | L | |
| L | L | H | Yes | H | Normal operation with auto-powerdown enabled |
| H | L | H | Yes | L | |
| L | L | H | No | Z | Powered off by auto-powerdown feature |
| H | L | H | No | Z | |

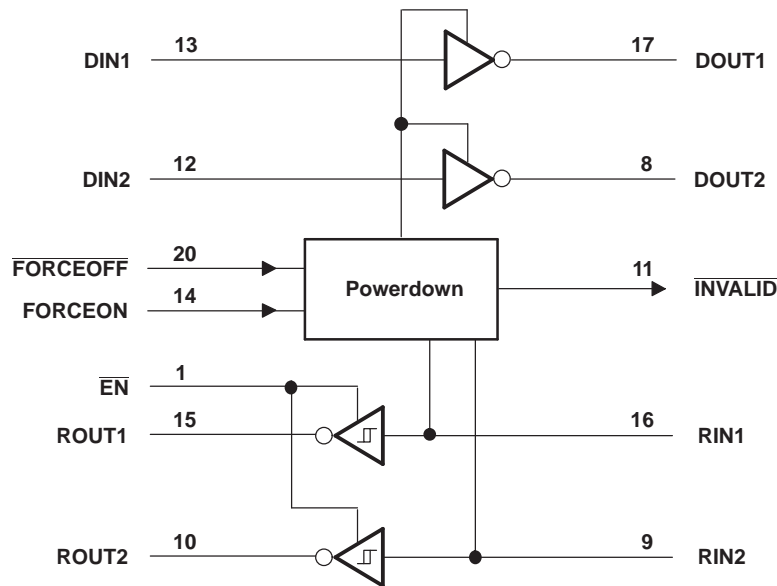
- (1) H = high level, L = low level, X = irrelevant, Z = high impedance

EACH RECEIVER⁽¹⁾

| INPUTS | | | OUTPUT DOUT |
|--------|----|------------------------|-------------|
| RIN | EN | VALID RIN RS-232 LEVEL | |
| L | L | X | H |
| H | L | X | L |
| X | H | X | Z |
| Open | L | No | H |

- (1) H = high level, L = low level, X = irrelevant, Z = high impedance (off), Open = input disconnected or connected driver off

LOGIC DIAGRAM (POSITIVE LOGIC)



Pin numbers are for the DB, DW, and PW packages.

Absolute Maximum Ratings⁽¹⁾

over operating free-air temperature range (unless otherwise noted)

| | | MIN | MAX | UNIT |
|------------------|---|--------------------------------|-----|------|
| V _{CC} | Supply voltage range | -0.3 | 6 | V |
| V+ | Positive-output supply voltage range ⁽²⁾ | -0.3 | 7 | V |
| V- | Negative-output supply voltage range ⁽²⁾ | 0.3 | -7 | V |
| V+ - V- | Supply voltage difference ⁽²⁾ | | 13 | V |
| V _I | Input voltage range | Driver (FORCEOFF, FORCEON, EN) | | V |
| | | Receiver | | |
| V _O | Output voltage range | Driver | | V |
| | | Receiver (INVALID) | | |
| θ _{JA} | Package thermal impedance ⁽³⁾⁽⁴⁾ | DB package | | °C/W |
| | | DW package | | |
| | | PW package | | |
| | | RHL package | | |
| T _J | Operating virtual junction temperature | | 150 | °C |
| T _{stg} | Storage temperature range | -65 | 150 | °C |

- (1) Stresses beyond those listed under "absolute maximum ratings" may cause permanent damage to the device. These are stress ratings only, and functional operation of the device at these or any other conditions beyond those indicated under "recommended operating conditions" is not implied. Exposure to absolute-maximum-rated conditions for extended periods may affect device reliability.
- (2) All voltages are with respect to network GND.
- (3) Maximum power dissipation is a function of T_{J(max)}, θ_{JA}, and T_A. The maximum allowable power dissipation at any allowable ambient temperature is P_D = (T_{J(max)} - T_A)/θ_{JA}. Operating at the absolute maximum T_J of 150°C can affect reliability.
- (4) The package thermal impedance is calculated in accordance with JESD 51-7.

TRS3223E
3-V TO 5.5-V MULTICHANNEL RS-232 LINE DRIVER/RECEIVER
WITH ± 15 -kV ESD PROTECTION

SLLS794–JUNE 2007

Recommended Operating Conditions⁽¹⁾

See [Figure 6](#)

| | | | MIN | NOM | MAX | UNIT |
|----------------|---|--|-------------------------|-----|-----|------|
| Supply voltage | | $V_{CC} = 3.3\text{ V}$ | 3 | 3.3 | 3.6 | V |
| | | $V_{CC} = 5\text{ V}$ | 4.5 | 5 | 5.5 | |
| V_{IH} | Driver and control high-level input voltage | DIN, \overline{EN} , $\overline{FORCEOFF}$, FORCEON | $V_{CC} = 3.3\text{ V}$ | 2 | | V |
| | | | $V_{CC} = 5\text{ V}$ | 2.4 | | |
| V_{IL} | Driver and control low-level input voltage | DIN, \overline{EN} , $\overline{FORCEOFF}$, FORCEON | | | 0.8 | V |
| V_I | Driver and control input voltage | DIN, \overline{EN} , $\overline{FORCEOFF}$, FORCEON | 0 | 5.5 | | V |
| | Receiver input voltage | | -25 | 25 | | V |
| T_A | Operating free-air temperature | TRS3223EC | 0 | 70 | | °C |
| | | TRS3223EI | -40 | 85 | | |

(1) Test conditions are C1–C4 = 0.1 μF at $V_{CC} = 3.3\text{ V} \pm 0.3\text{ V}$; C1 = 0.047 μF , C2–C4 = 0.33 μF at $V_{CC} = 5\text{ V} \pm 0.5\text{ V}$.

Electrical Characteristics⁽¹⁾

over recommended ranges of supply voltage and operating free-air temperature (unless otherwise noted) (see [Figure 5](#))

| PARAMETER | | TEST CONDITIONS | MIN | TYP ⁽²⁾ | MAX | UNIT | |
|-----------|-----------------------|---|--|--------------------|---------|---------------|---------------|
| I_I | Input leakage current | \overline{EN} , $\overline{FORCEOFF}$, FORCEON | | ± 0.01 | ± 1 | μA | |
| I_{CC} | Supply current | Auto-powerdown disabled | $V_{CC} = 3.3\text{ V}$ or 5 V , $T_A = 25^\circ\text{C}$, No load, $\overline{FORCEOFF}$ and FORCEON at V_{CC} | | 0.3 | 1 | mA |
| | | Powered off | No load, $\overline{FORCEOFF}$ at GND | | 1 | 10 | μA |
| | | Auto-powerdown enabled | No load, $\overline{FORCEOFF}$ at V_{CC} , FORCEON at GND, All RIN are open or grounded | | 1 | 10 | |

(1) Test conditions are C1–C4 = 0.1 μF at $V_{CC} = 3.3\text{ V} \pm 0.3\text{ V}$; C1 = 0.047 μF , C2–C4 = 0.33 μF at $V_{CC} = 5\text{ V} \pm 0.5\text{ V}$.

(2) All typical values are at $V_{CC} = 3.3\text{ V}$ or $V_{CC} = 5\text{ V}$, and $T_A = 25^\circ\text{C}$.

DRIVER SECTION

Electrical Characteristics⁽¹⁾

over recommended ranges of supply voltage and operating free-air temperature (unless otherwise noted) (see [Figure 5](#))

| PARAMETER | | TEST CONDITIONS | MIN | TYP ⁽²⁾ | MAX | UNIT |
|-----------------|---|---|-----|--------------------|----------|----------|
| V _{OH} | High-level output voltage | DOOUT at R _L = 3 k Ω to GND | 5 | 5.4 | | V |
| V _{OL} | Low-level output voltage | DOOUT at R _L = 3 k Ω to GND | –5 | –5.4 | | V |
| I _{IH} | High-level input current | V _I = V _{CC} | | ± 0.01 | ± 1 | μ A |
| I _{IL} | Low-level input current | V _I at GND | | ± 0.01 | ± 1 | μ A |
| I _{OS} | Short-circuit output current ⁽³⁾ | V _{CC} = 3.6 V, V _O = 0 V | | ± 35 | ± 60 | mA |
| | | V _{CC} = 5.5 V, V _O = 0 V | | | | |
| r _o | Output resistance | V _{CC} , V+, and V– = 0 V, V _O = ± 2 V | 300 | 10M | | Ω |
| I _{OZ} | Output leakage current | FORCEOFF = GND, V _{CC} = 3 V to 3.6 V, V _O = ± 12 V | | | ± 25 | μ A |
| | | FORCEOFF = GND, V _{CC} = 4.5 V to 5.5 V, V _O = ± 12 V | | | ± 25 | |

(1) Test conditions are C1–C4 = 0.1 μ F at V_{CC} = 3.3 V \pm 0.3 V; C1 = 0.047 μ F, C2–C4 = 0.33 μ F at V_{CC} = 5 V \pm 0.5 V.

(2) All typical values are at V_{CC} = 3.3 V or V_{CC} = 5 V, and T_A = 25°C.

(3) Short-circuit durations should be controlled to prevent exceeding the device absolute power dissipation ratings, and not more than one output should be shorted at a time.

Switching Characteristics⁽¹⁾

over recommended ranges of supply voltage and operating free-air temperature (unless otherwise noted) (see [Figure 5](#))

| PARAMETER | | TEST CONDITIONS | | MIN | TYP ⁽²⁾ | MAX | UNIT |
|--------------------|---|--|---|-----|--------------------|-----|------------|
| | Maximum data rate | C _L = 1000 pF, One DOOUT switching, | R _L = 3 k Ω , See Figure 1 | 250 | 500 | | kbit/s |
| t _{sk(p)} | Pulse skew ⁽³⁾ | C _L = 150 pF to 2500 pF, See Figure 2 | R _L = 3 k Ω to 7 k Ω , | | 100 | | ns |
| SR(tr) | Slew rate, transition region (See Figure 1) | R _L = 3 k Ω to 7 k Ω , V _{CC} = 3.3 V | C _L = 150 pF to 1000 pF | 6 | | 30 | V/ μ s |
| | | | C _L = 150 pF to 2500 pF | 4 | | 30 | |

(1) Test conditions are C1–C4 = 0.1 μ F at V_{CC} = 3.3 V \pm 0.3 V; C1 = 0.047 μ F, C2–C4 = 0.33 μ F at V_{CC} = 5 V \pm 0.5 V.

(2) All typical values are at V_{CC} = 3.3 V or V_{CC} = 5 V, and T_A = 25°C.

(3) Pulse skew is defined as |t_{PLH} – t_{PHL}| of each channel of the same device.

TRS3223E

3-V TO 5.5-V MULTICHANNEL RS-232 LINE DRIVER/RECEIVER

WITH ± 15 -kV ESD PROTECTION

SLLS794–JUNE 2007

RECEIVER SECTION

Electrical Characteristics⁽¹⁾

over recommended ranges of supply voltage and operating free-air temperature (unless otherwise noted) (see [Figure 6](#))

| PARAMETER | | TEST CONDITIONS | MIN | TYP ⁽²⁾ | MAX | UNIT |
|------------------|---|--|-----------------------|-----------------------|-----|------------|
| V _{OH} | High-level output voltage | I _{OH} = -1 mA | V _{CC} - 0.6 | V _{CC} - 0.1 | | V |
| V _{OL} | Low-level output voltage | I _{OL} = 1.6 mA | | | 0.4 | V |
| V _{IT+} | Positive-going input threshold voltage | V _{CC} = 3.3 V | | 1.6 | 2.4 | V |
| | | V _{CC} = 5 V | | 1.9 | 2.4 | |
| V _{IT-} | Negative-going input threshold voltage | V _{CC} = 3.3 V | 0.6 | 1.1 | | V |
| | | V _{CC} = 5 V | 0.6 | 1.4 | | |
| V _{hys} | Input hysteresis (V _{IT+} - V _{IT-}) | | | 0.5 | | V |
| I _{OZ} | Output leakage current | $\overline{EN} = V_{CC}$ | | ± 0.05 | | μ A |
| r _i | Input resistance | V _I = ± 3 V to ± 25 V | 3 | 5 | | k Ω |

(1) Test conditions are C1–C4 = 0.1 μ F at V_{CC} = 3.3 V \pm 0.3 V; C1 = 0.047 μ F, C2–C4 = 0.33 μ F at V_{CC} = 5 V \pm 0.5 V.

(2) All typical values are at V_{CC} = 3.3 V or V_{CC} = 5 V, and T_A = 25°C.

Switching Characteristics⁽¹⁾

over recommended ranges of supply voltage and operating free-air temperature (unless otherwise noted)

| PARAMETER | | TEST CONDITIONS | TYP ⁽²⁾ | UNIT |
|--------------------|---|---|--------------------|------|
| t _{PLH} | Propagation delay time, low- to high-level output | C _L = 150 pF, See Figure 3 | 150 | ns |
| t _{PHL} | Propagation delay time, high- to low-level output | C _L = 150 pF, See Figure 3 | 150 | ns |
| t _{en} | Output enable time | C _L = 150 pF, R _L = 3 k Ω , See Figure 4 | 200 | ns |
| t _{dis} | Output disable time | C _L = 150 pF, R _L = 3 k Ω , See Figure 4 | 200 | ns |
| t _{sk(p)} | Pulse skew ⁽³⁾ | See Figure 3 | 50 | ns |

(1) Test conditions are C1–C4 = 0.1 μ F at V_{CC} = 3.3 V \pm 0.3 V; C1 = 0.047 μ F, C2–C4 = 0.33 μ F at V_{CC} = 5 V \pm 0.5 V.

(2) All typical values are at V_{CC} = 3.3 V or V_{CC} = 5 V, and T_A = 25°C.

(3) Pulse skew is defined as |t_{PLH} - t_{PHL}| of each channel of the same device.

AUTO-POWERDOWN SECTION

Electrical Characteristics

over recommended ranges of supply voltage and operating free-air temperature (unless otherwise noted) (see [Figure 5](#))

| PARAMETER | | TEST CONDITIONS | | MIN | MAX | UNIT |
|-------------------------|--|--|---------------------------------------|----------------|-----|------|
| $V_{T+}(\text{valid})$ | Receiver input threshold for $\overline{\text{INVALID}}$ high-level output voltage | FORCEON = GND, | $\overline{\text{FORCEOFF}} = V_{CC}$ | | 2.7 | V |
| $V_{T(\text{valid})}$ | Receiver input threshold for $\overline{\text{INVALID}}$ high-level output voltage | FORCEON = GND, | $\overline{\text{FORCEOFF}} = V_{CC}$ | -2.7 | | V |
| $V_{T(\text{invalid})}$ | Receiver input threshold for $\overline{\text{INVALID}}$ low-level output voltage | FORCEON = GND, | $\overline{\text{FORCEOFF}} = V_{CC}$ | -0.3 | 0.3 | V |
| V_{OH} | $\overline{\text{INVALID}}$ high-level output voltage | $I_{OH} = 1 \text{ mA}$, $\overline{\text{FORCEOFF}} = V_{CC}$ | FORCEON = GND, | $V_{CC} - 0.6$ | | V |
| V_{OL} | $\overline{\text{INVALID}}$ low-level output voltage | $I_{OL} = 1.6 \text{ mA}$, $\overline{\text{FORCEOFF}} = V_{CC}$ | FORCEON = GND, | | 0.4 | V |

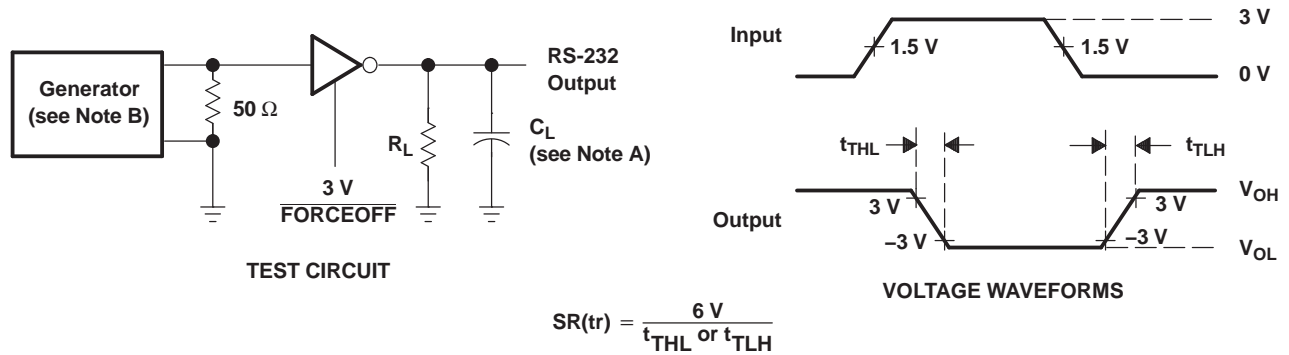
Switching Characteristics

over recommended ranges of supply voltage and operating free-air temperature (unless otherwise noted) (see [Figure 5](#))

| PARAMETER | | TYP ⁽¹⁾ | UNIT |
|----------------------|---|--------------------|---------------|
| t_{valid} | Propagation delay time, low- to high-level output | 1 | μs |
| t_{invalid} | Propagation delay time, high- to low-level output | 30 | μs |
| t_{en} | Supply enable time | 100 | μs |

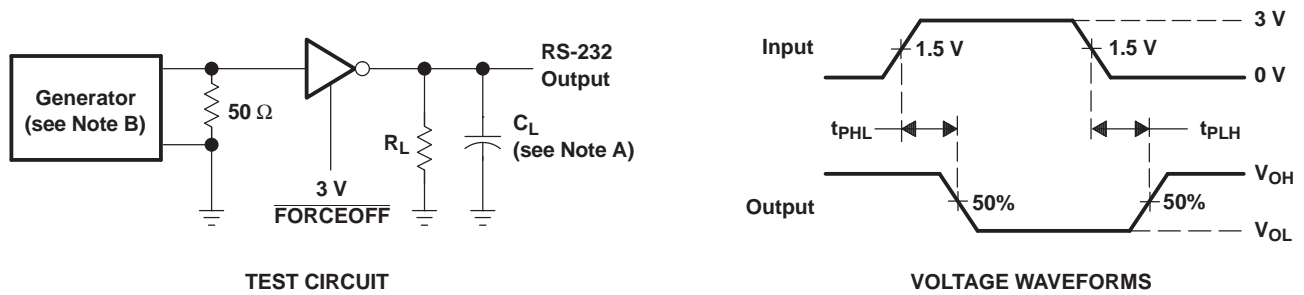
(1) All typical values are at $V_{CC} = 3.3 \text{ V}$ or $V_{CC} = 5 \text{ V}$, and $T_A = 25^\circ\text{C}$.

PARAMETER MEASUREMENT INFORMATION



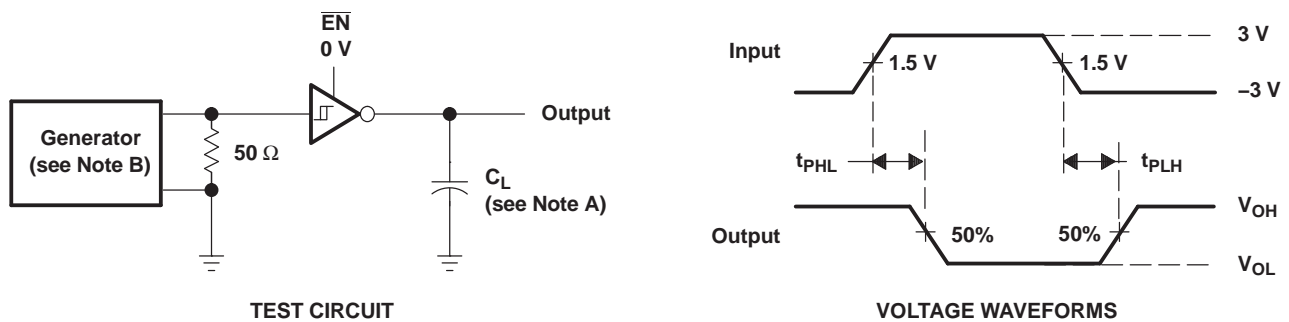
- A. C_L includes probe and jig capacitance.
- B. The pulse generator has the following characteristics: PRR = 250 kbit/s, $Z_O = 50\ \Omega$, 50% duty cycle, $t_r \leq 10\text{ ns}$, $t_f \leq 10\text{ ns}$.

Figure 1. Driver Slew Rate



- A. C_L includes probe and jig capacitance.
- B. The pulse generator has the following characteristics: PRR = 250 kbit/s, $Z_O = 50\ \Omega$, 50% duty cycle, $t_r \leq 10\text{ ns}$, $t_f \leq 10\text{ ns}$.

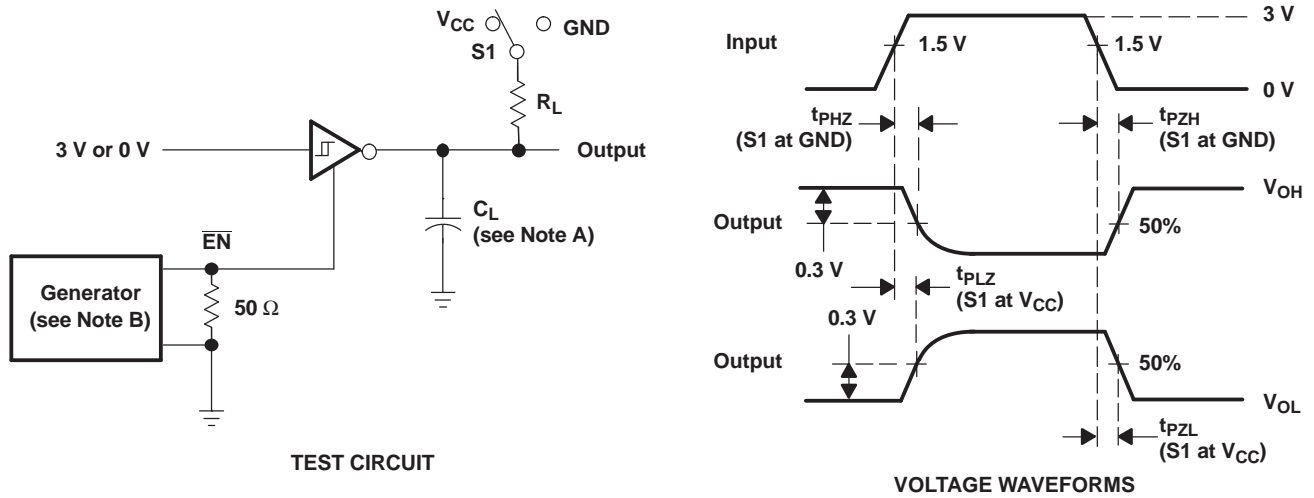
Figure 2. Driver Pulse Skew



- A. C_L includes probe and jig capacitance.
- B. The pulse generator has the following characteristics: $Z_O = 50\ \Omega$, 50% duty cycle, $t_r \leq 10\text{ ns}$, $t_f \leq 10\text{ ns}$.

Figure 3. Receiver Propagation Delay Times

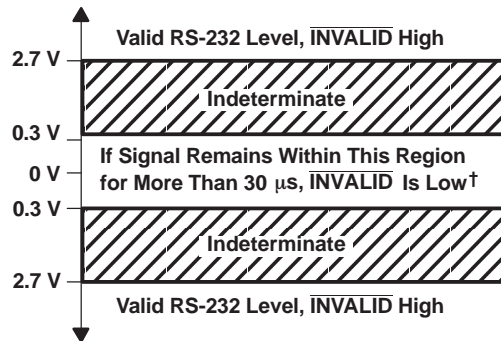
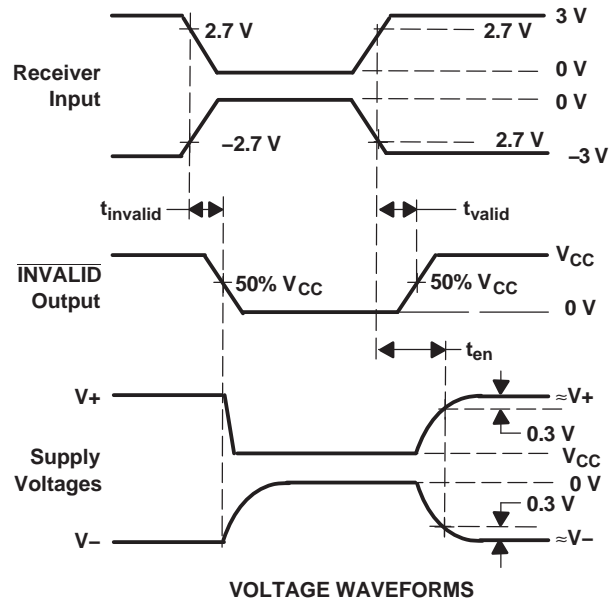
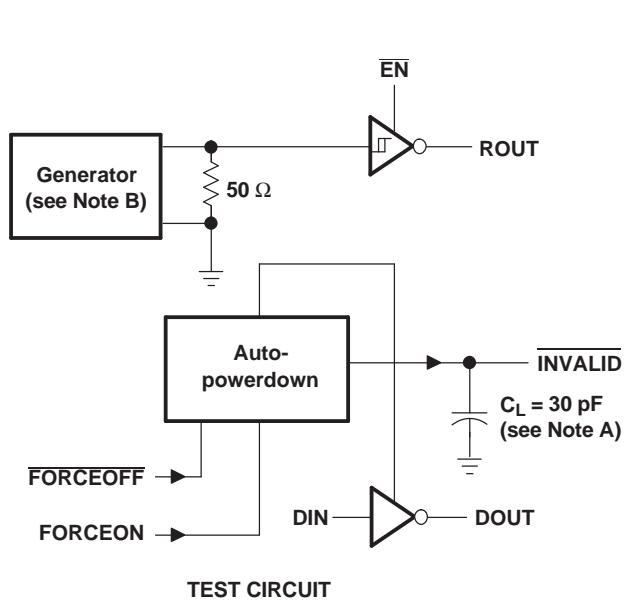
PARAMETER MEASUREMENT INFORMATION (continued)



- A. C_L includes probe and jig capacitance.
- B. The pulse generator has the following characteristics: $Z_O = 50 \Omega$, 50% duty cycle, $t_r \leq 10 \text{ ns}$, $t_f \leq 10 \text{ ns}$.

Figure 4. Receiver Enable and Disable Times

PARAMETER MEASUREMENT INFORMATION (continued)

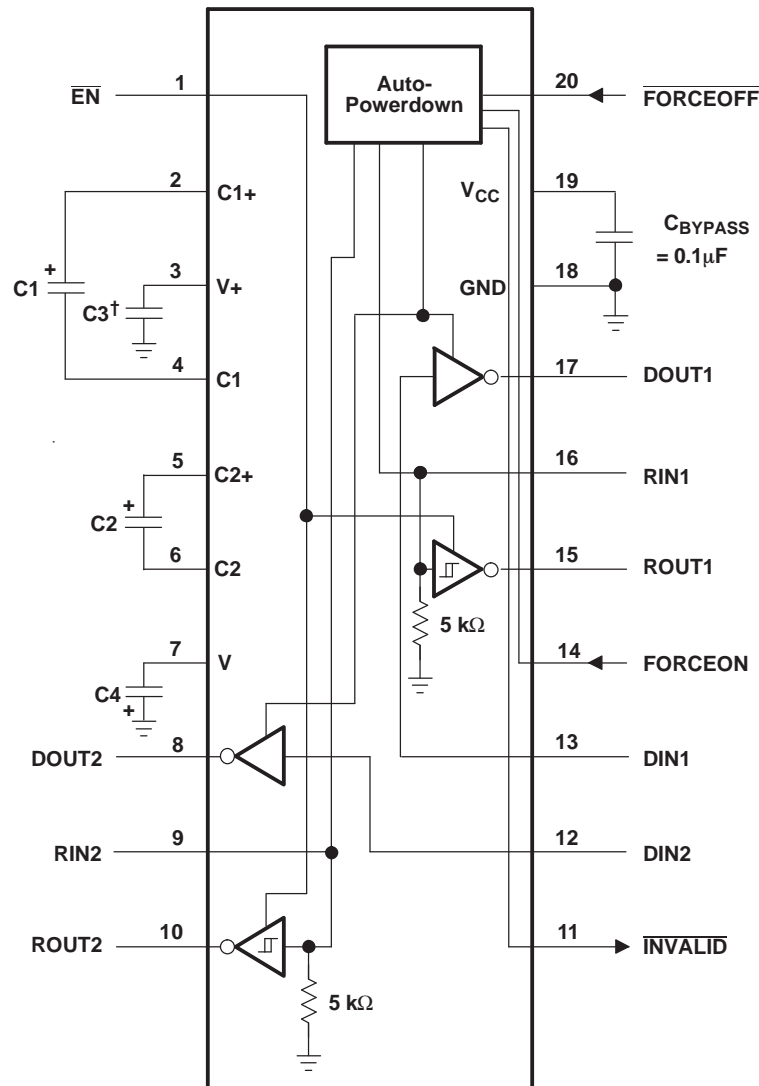


† Auto-powerdown disables drivers and reduces supply current to 1 μ A

- A. C_L includes probe and jig capacitance.
- B. The pulse generator has the following characteristics: PRR = 250 kbit/s, $Z_O = 50 \Omega$, 50% duty cycle, $t_r \leq 10$ ns, $t_f \leq 10$ ns.

Figure 5. $\overline{\text{INVALID}}$ Propagation Delay Times and Supply Enabling Time

APPLICATION INFORMATION



† C3 can be connected to V_{CC} or GND.

NOTES: A. Resistor values shown are nominal.

B. Nonpolarized ceramic capacitors are acceptable. If polarized tantalum or electrolytic capacitors are used, they should be connected as shown.

V_{CC} vs CAPACITOR VALUES

| V_{CC} | C1 | C2, C3, and C4 |
|-------------------|---------------|----------------|
| 3.3 V \pm 0.3 V | 0.1 μ F | 0.1 μ F |
| 5 V \pm 0.5 V | 0.047 μ F | 0.33 μ F |
| 3 V to 5.5 V | 0.1 μ F | 0.47 μ F |

Figure 6. Typical Operating Circuit and Capacitor Values

PACKAGING INFORMATION

| Orderable Device | Status (1) | Package Type | Package Drawing | Pins | Package Qty | Eco Plan (2) | Lead/Ball Finish (6) | MSL Peak Temp (3) | Op Temp (°C) | Device Marking (4/5) | Samples |
|------------------|---------------|--------------|-----------------|------|-------------|-------------------------|-------------------------|----------------------|--------------|-------------------------|-------------------------|
| TRS3223ECDBR | ACTIVE | SSOP | DB | 20 | 2000 | Green (RoHS & no Sb/Br) | CU NIPDAU | Level-1-260C-UNLIM | 0 to 70 | RS23EC | Samples |
| TRS3223ECDWR | ACTIVE | SOIC | DW | 20 | 2000 | Green (RoHS & no Sb/Br) | CU NIPDAU | Level-1-260C-UNLIM | 0 to 70 | TRS3223EC | Samples |
| TRS3223ECPW | ACTIVE | TSSOP | PW | 20 | 70 | Green (RoHS & no Sb/Br) | CU NIPDAU | Level-1-260C-UNLIM | 0 to 70 | RS23EC | Samples |
| TRS3223ECPWR | ACTIVE | TSSOP | PW | 20 | 2000 | Green (RoHS & no Sb/Br) | CU NIPDAU | Level-1-260C-UNLIM | 0 to 70 | RS23EC | Samples |
| TRS3223EIDB | ACTIVE | SSOP | DB | 20 | 70 | Green (RoHS & no Sb/Br) | CU NIPDAU | Level-1-260C-UNLIM | -40 to 85 | RS23EI | Samples |
| TRS3223EIDBR | ACTIVE | SSOP | DB | 20 | 2000 | Green (RoHS & no Sb/Br) | CU NIPDAU | Level-1-260C-UNLIM | -40 to 85 | RS23EI | Samples |
| TRS3223EIPW | ACTIVE | TSSOP | PW | 20 | 70 | Green (RoHS & no Sb/Br) | CU NIPDAU | Level-1-260C-UNLIM | -40 to 85 | RS23EI | Samples |
| TRS3223EIPWR | ACTIVE | TSSOP | PW | 20 | 2000 | Green (RoHS & no Sb/Br) | CU NIPDAU | Level-1-260C-UNLIM | -40 to 85 | RS23EI | Samples |

(1) The marketing status values are defined as follows:

ACTIVE: Product device recommended for new designs.

LIFEBUY: TI has announced that the device will be discontinued, and a lifetime-buy period is in effect.

NRND: Not recommended for new designs. Device is in production to support existing customers, but TI does not recommend using this part in a new design.

PREVIEW: Device has been announced but is not in production. Samples may or may not be available.

OBSOLETE: TI has discontinued the production of the device.

(2) **RoHS:** TI defines "RoHS" to mean semiconductor products that are compliant with the current EU RoHS requirements for all 10 RoHS substances, including the requirement that RoHS substance do not exceed 0.1% by weight in homogeneous materials. Where designed to be soldered at high temperatures, "RoHS" products are suitable for use in specified lead-free processes. TI may reference these types of products as "Pb-Free".

RoHS Exempt: TI defines "RoHS Exempt" to mean products that contain lead but are compliant with EU RoHS pursuant to a specific EU RoHS exemption.

Green: TI defines "Green" to mean the content of Chlorine (Cl) and Bromine (Br) based flame retardants meet JS709B low halogen requirements of <=1000ppm threshold. Antimony trioxide based flame retardants must also meet the <=1000ppm threshold requirement.

(3) MSL, Peak Temp. - The Moisture Sensitivity Level rating according to the JEDEC industry standard classifications, and peak solder temperature.

(4) There may be additional marking, which relates to the logo, the lot trace code information, or the environmental category on the device.

⁽⁵⁾ Multiple Device Markings will be inside parentheses. Only one Device Marking contained in parentheses and separated by a "-" will appear on a device. If a line is indented then it is a continuation of the previous line and the two combined represent the entire Device Marking for that device.

⁽⁶⁾ Lead/Ball Finish - Orderable Devices may have multiple material finish options. Finish options are separated by a vertical ruled line. Lead/Ball Finish values may wrap to two lines if the finish value exceeds the maximum column width.

Important Information and Disclaimer:The information provided on this page represents TI's knowledge and belief as of the date that it is provided. TI bases its knowledge and belief on information provided by third parties, and makes no representation or warranty as to the accuracy of such information. Efforts are underway to better integrate information from third parties. TI has taken and continues to take reasonable steps to provide representative and accurate information but may not have conducted destructive testing or chemical analysis on incoming materials and chemicals. TI and TI suppliers consider certain information to be proprietary, and thus CAS numbers and other limited information may not be available for release.

In no event shall TI's liability arising out of such information exceed the total purchase price of the TI part(s) at issue in this document sold by TI to Customer on an annual basis.

TAPE AND REEL INFORMATION
REEL DIMENSIONS

TAPE DIMENSIONS


| | |
|----|---|
| A0 | Dimension designed to accommodate the component width |
| B0 | Dimension designed to accommodate the component length |
| K0 | Dimension designed to accommodate the component thickness |
| W | Overall width of the carrier tape |
| P1 | Pitch between successive cavity centers |

TAPE AND REEL INFORMATION

*All dimensions are nominal

| Device | Package Type | Package Drawing | Pins | SPQ | Reel Diameter (mm) | Reel Width W1 (mm) | A0 (mm) | B0 (mm) | K0 (mm) | P1 (mm) | W (mm) | Pin1 Quadrant |
|--------------|--------------|-----------------|------|------|--------------------|--------------------|---------|---------|---------|---------|--------|---------------|
| TRS3223ECDBR | SSOP | DB | 20 | 2000 | 330.0 | 16.4 | 8.2 | 7.5 | 2.5 | 12.0 | 16.0 | Q1 |
| TRS3223ECDWR | SOIC | DW | 20 | 2000 | 330.0 | 24.4 | 10.8 | 13.0 | 2.7 | 12.0 | 24.0 | Q1 |
| TRS3223ECPWR | TSSOP | PW | 20 | 2000 | 330.0 | 16.4 | 6.95 | 7.1 | 1.6 | 8.0 | 16.0 | Q1 |
| TRS3223EIDBR | SSOP | DB | 20 | 2000 | 330.0 | 16.4 | 8.2 | 7.5 | 2.5 | 12.0 | 16.0 | Q1 |
| TRS3223EIPWR | TSSOP | PW | 20 | 2000 | 330.0 | 16.4 | 6.95 | 7.1 | 1.6 | 8.0 | 16.0 | Q1 |

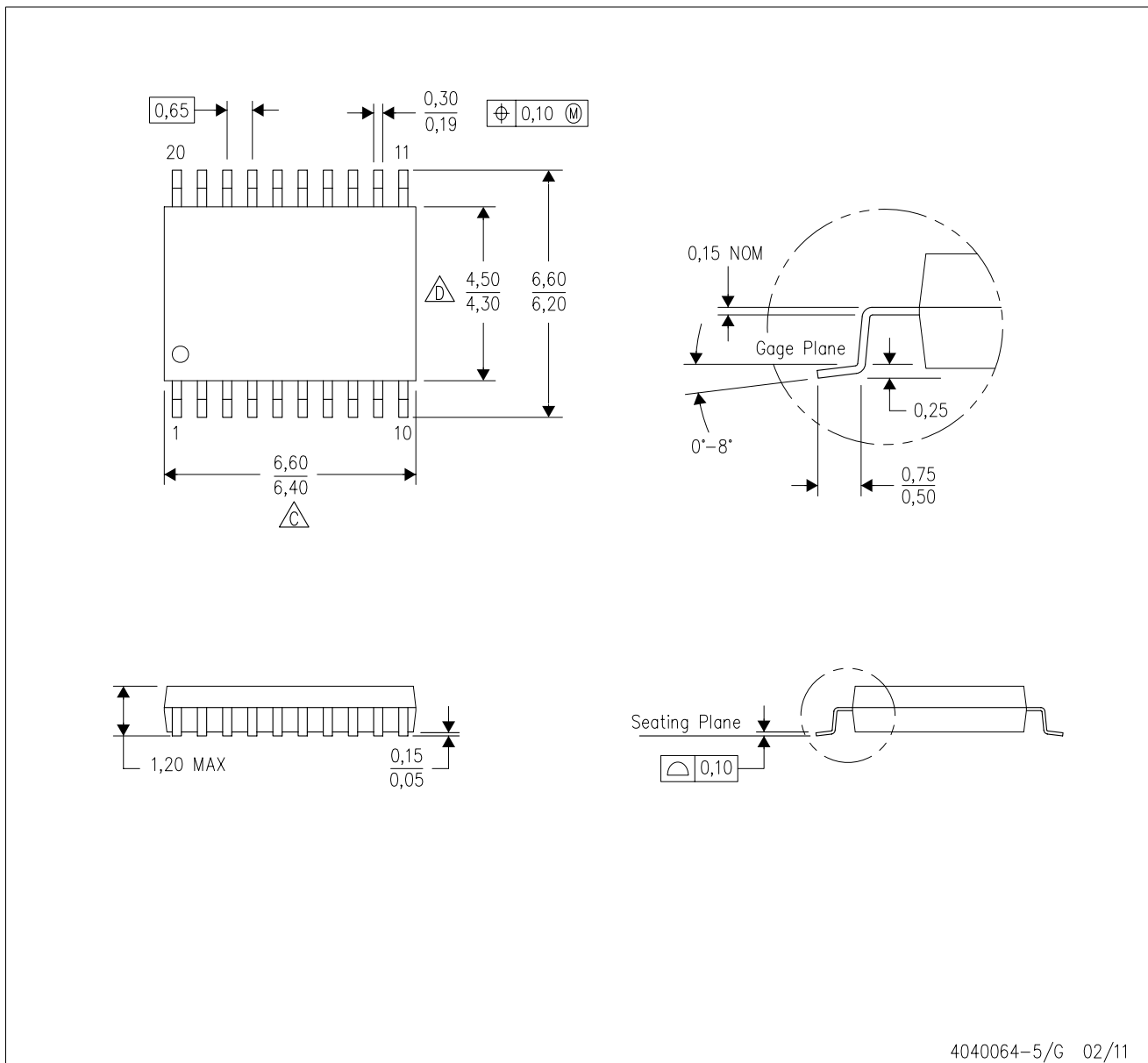
TAPE AND REEL BOX DIMENSIONS


*All dimensions are nominal

| Device | Package Type | Package Drawing | Pins | SPQ | Length (mm) | Width (mm) | Height (mm) |
|--------------|--------------|-----------------|------|------|-------------|------------|-------------|
| TRS3223ECDBR | SSOP | DB | 20 | 2000 | 367.0 | 367.0 | 38.0 |
| TRS3223ECDWR | SOIC | DW | 20 | 2000 | 367.0 | 367.0 | 45.0 |
| TRS3223ECPWR | TSSOP | PW | 20 | 2000 | 367.0 | 367.0 | 38.0 |
| TRS3223EIDBR | SSOP | DB | 20 | 2000 | 367.0 | 367.0 | 38.0 |
| TRS3223EIPWR | TSSOP | PW | 20 | 2000 | 367.0 | 367.0 | 38.0 |

PW (R-PDSO-G20)

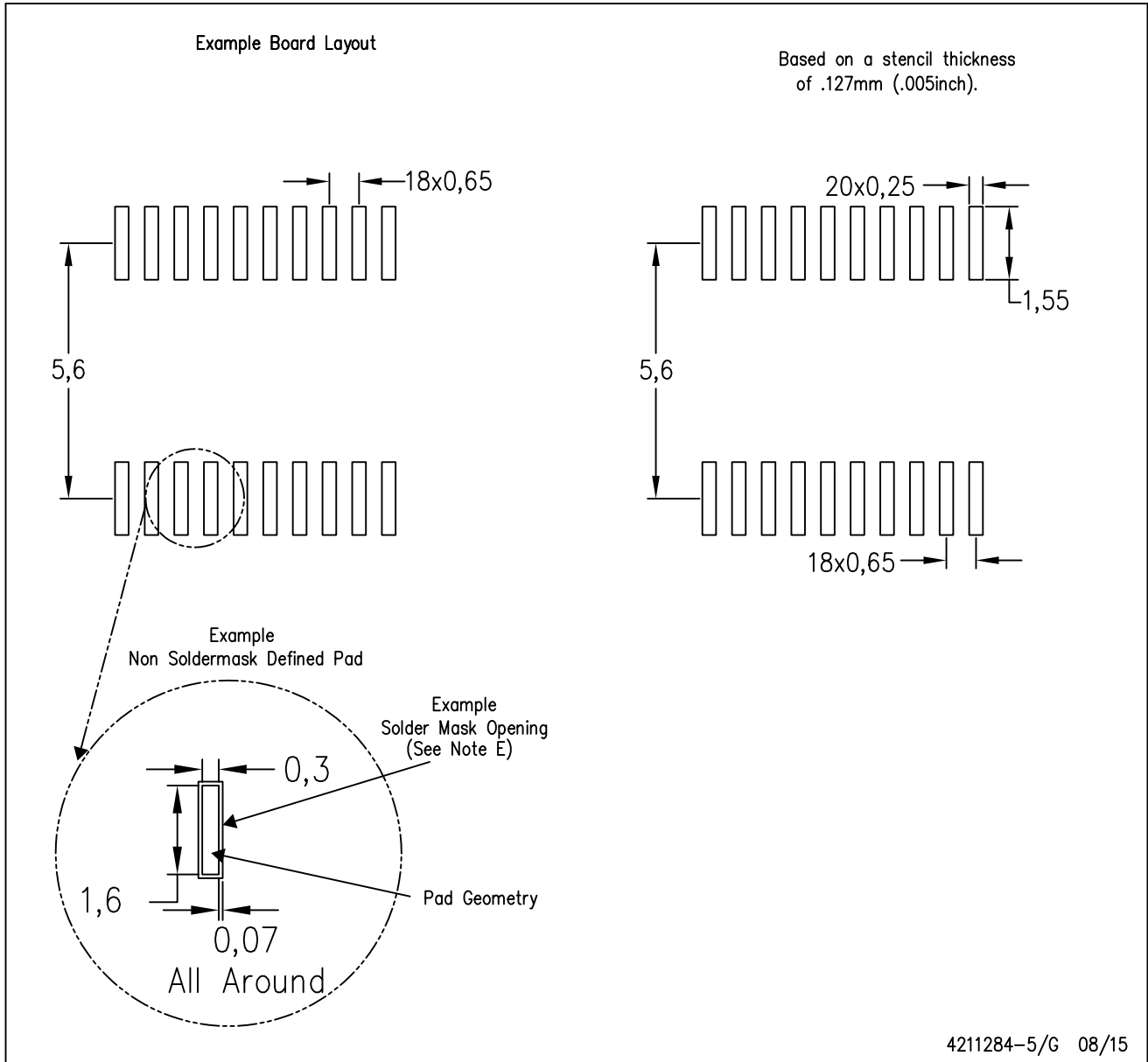
PLASTIC SMALL OUTLINE



- NOTES:
- A. All linear dimensions are in millimeters. Dimensioning and tolerancing per ASME Y14.5M-1994.
 - B. This drawing is subject to change without notice.
 - C. Body length does not include mold flash, protrusions, or gate burrs. Mold flash, protrusions, or gate burrs shall not exceed 0,15 each side.
 - D. Body width does not include interlead flash. Interlead flash shall not exceed 0,25 each side.
 - E. Falls within JEDEC MO-153

PW (R-PDSO-G20)

PLASTIC SMALL OUTLINE



- NOTES:
- A. All linear dimensions are in millimeters.
 - B. This drawing is subject to change without notice.
 - C. Publication IPC-7351 is recommended for alternate design.
 - D. Laser cutting apertures with trapezoidal walls and also rounding corners will offer better paste release. Customers should contact their board assembly site for stencil design recommendations. Refer to IPC-7525 for other stencil recommendations.
 - E. Customers should contact their board fabrication site for solder mask tolerances between and around signal pads.

DB0020A



PACKAGE OUTLINE

TSSOP - 2 mm max height

SMALL OUTLINE PACKAGE



NOTES:

1. All linear dimensions are in millimeters. Any dimensions in parenthesis are for reference only. Dimensioning and tolerancing per ASME Y14.5M.
2. This drawing is subject to change without notice.
3. This dimension does not include mold flash, protrusions, or gate burrs. Mold flash, protrusions, or gate burrs shall not exceed 0.15 mm per side.
4. This dimension does not include interlead flash. Interlead flash shall not exceed 0.25 mm per side.
5. Reference JEDEC registration MO-150.

EXAMPLE BOARD LAYOUT

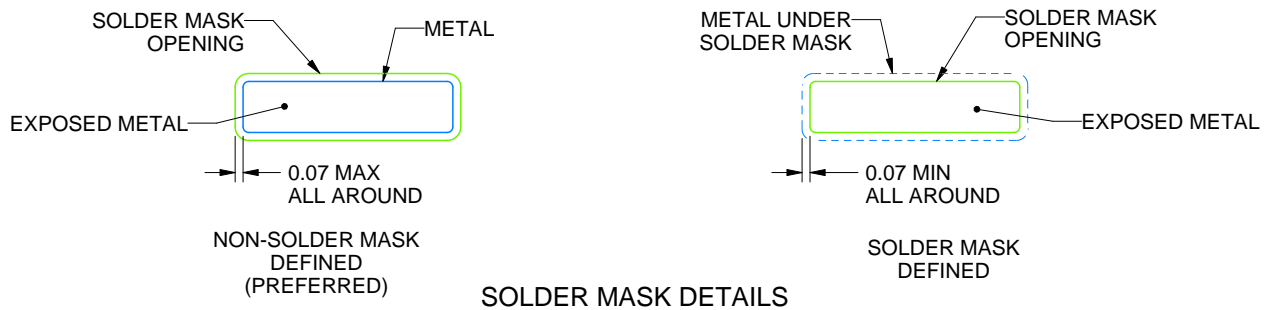
DB0020A

TSSOP - 2 mm max height

SMALL OUTLINE PACKAGE



LAND PATTERN EXAMPLE
EXPOSED METAL SHOWN
SCALE: 10X



4214851/A 12/2017

NOTES: (continued)

- 6. Publication IPC-7351 may have alternate designs.
- 7. Solder mask tolerances between and around signal pads can vary based on board fabrication site.

EXAMPLE STENCIL DESIGN

DB0020A

TSSOP - 2 mm max height

SMALL OUTLINE PACKAGE



SOLDER PASTE EXAMPLE
BASED ON 0.125 mm THICK STENCIL
SCALE: 10X

4214851/A 12/2017

NOTES: (continued)

8. Laser cutting apertures with trapezoidal walls and rounded corners may offer better paste release. IPC-7525 may have alternate design recommendations.
9. Board assembly site may have different recommendations for stencil design.

DW0020A



PACKAGE OUTLINE

SOIC - 2.65 mm max height

SOIC



4220724/A 05/2016

NOTES:

1. All linear dimensions are in millimeters. Dimensions in parenthesis are for reference only. Dimensioning and tolerancing per ASME Y14.5M.
2. This drawing is subject to change without notice.
3. This dimension does not include mold flash, protrusions, or gate burrs. Mold flash, protrusions, or gate burrs shall not exceed 0.15 mm per side.
4. This dimension does not include interlead flash. Interlead flash shall not exceed 0.43 mm per side.
5. Reference JEDEC registration MS-013.

EXAMPLE BOARD LAYOUT

DW0020A

SOIC - 2.65 mm max height

SOIC



LAND PATTERN EXAMPLE
SCALE:6X



SOLDER MASK DETAILS

4220724/A 05/2016

NOTES: (continued)

- 6. Publication IPC-7351 may have alternate designs.
- 7. Solder mask tolerances between and around signal pads can vary based on board fabrication site.

EXAMPLE STENCIL DESIGN

DW0020A

SOIC - 2.65 mm max height

SOIC



SOLDER PASTE EXAMPLE
BASED ON 0.125 mm THICK STENCIL
SCALE:6X

4220724/A 05/2016

NOTES: (continued)

8. Laser cutting apertures with trapezoidal walls and rounded corners may offer better paste release. IPC-7525 may have alternate design recommendations.
9. Board assembly site may have different recommendations for stencil design.

IMPORTANT NOTICE AND DISCLAIMER

TI PROVIDES TECHNICAL AND RELIABILITY DATA (INCLUDING DATASHEETS), DESIGN RESOURCES (INCLUDING REFERENCE DESIGNS), APPLICATION OR OTHER DESIGN ADVICE, WEB TOOLS, SAFETY INFORMATION, AND OTHER RESOURCES "AS IS" AND WITH ALL FAULTS, AND DISCLAIMS ALL WARRANTIES, EXPRESS AND IMPLIED, INCLUDING WITHOUT LIMITATION ANY IMPLIED WARRANTIES OF MERCHANTABILITY, FITNESS FOR A PARTICULAR PURPOSE OR NON-INFRINGEMENT OF THIRD PARTY INTELLECTUAL PROPERTY RIGHTS.

These resources are intended for skilled developers designing with TI products. You are solely responsible for (1) selecting the appropriate TI products for your application, (2) designing, validating and testing your application, and (3) ensuring your application meets applicable standards, and any other safety, security, or other requirements. These resources are subject to change without notice. TI grants you permission to use these resources only for development of an application that uses the TI products described in the resource. Other reproduction and display of these resources is prohibited. No license is granted to any other TI intellectual property right or to any third party intellectual property right. TI disclaims responsibility for, and you will fully indemnify TI and its representatives against, any claims, damages, costs, losses, and liabilities arising out of your use of these resources.

TI's products are provided subject to TI's Terms of Sale (www.ti.com/legal/termsofsale.html) or other applicable terms available either on ti.com or provided in conjunction with such TI products. TI's provision of these resources does not expand or otherwise alter TI's applicable warranties or warranty disclaimers for TI products.

Mailing Address: Texas Instruments, Post Office Box 655303, Dallas, Texas 75265
Copyright © 2018, Texas Instruments Incorporated

Looking for pricing, stock, or lifecycle information?

Click below to explore more details on WIN SOURCE:

 [View TRS3223EIPWR on WIN SOURCE](#)

 [Texas Instruments](#) Information

Optimize Your Supply Chain with WIN SOURCE Solutions

-  Global Sourcing Solution
-  Obsolete Management
-  Cost Control Management
-  Shortage Management
-  Alternative Solution
-  Excess Inventory Management