



**THE DATASHEET OF  
AD7534JNZ**



**FEATURES**

All Grades 14-Bit Monotonic Over the Full Temperature Range

Range

Full 4-Quadrant Multiplication

Microprocessor-Compatible with Double Buffered Inputs

Exceptionally Low Gain Temperature Coefficient, 0.5ppm/°C typ

Small 20-Pin DIP and Surface Mount Package

Low Output Leakage (<20nA) Over the Full Temperature Range

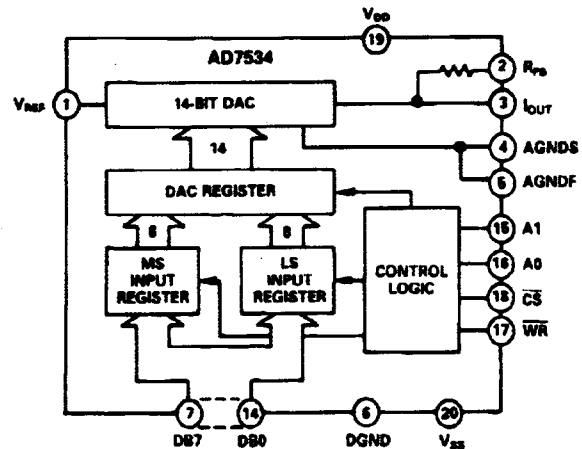
**APPLICATIONS**

Microprocessor Based Control Systems

Digital Audio Reconstruction

High Precision Servo Control

Control and Measurement in High Temperature Environments

**FUNCTIONAL BLOCK DIAGRAM**

**GENERAL DESCRIPTION**

The AD7534 is a 14-bit monolithic CMOS D/A converter which uses thin-film resistors and laser trimming to achieve excellent linearity.

The device is configured to accept right-justified data in two bytes from an 8-bit data bus. Standard Chip Select and Memory Write logic is used to access the DAC. Address lines A0 and A1 control internal register loading and transfer.

A novel low leakage configuration (patent pending) enables the AD7534 to exhibit excellent output leakage current characteristics over the specified temperature range.

The device is fully protected against CMOS "latch up" phenomena and does not require the use of external Schottky diodes or the use of a FET Input op amp. The AD7534 is manufactured using the Linear Compatible CMOS (LC<sup>2</sup>MOS) process. It is speed compatible with most microprocessors and accepts TTL or CMOS logic level inputs.

**PRODUCT HIGHLIGHTS**

- Guaranteed Monotonicity**  
 The AD7534 is guaranteed monotonic to 14-bits over the full temperature range for all grades.
- Low Output Leakage**  
 By tying V<sub>SS</sub> (Pin 20) to a negative voltage, it is possible to achieve a low output leakage current at high temperatures.
- Microprocessor Compatibility**  
 High speed input control (TTL/5V CMOS compatible) allows direct interfacing to most of the popular 8-bit and 16-bit microprocessors.
- Monolithic Construction**  
 For increased reliability and reduced package size - 0.3" 20-pin DIP and 20-terminal surface mount package.

**REV. A**

Information furnished by Analog Devices is believed to be accurate and reliable. However, no responsibility is assumed by Analog Devices for its use; nor for any infringements of patents or other rights of third parties which may result from its use. No license is granted by implication or otherwise under any patent or patent rights of Analog Devices.

One Technology Way; P. O. Box 9106; Norwood, MA 02062-9106  
 Tel: 617/329-4700 TWX: 710/394-6577  
 West Coast Central Atlantic  
 714/641-8381 214/231-5094 215/643-7790

# AD7534—SPECIFICATIONS<sup>1</sup> ( $V_{DD} = +11.4V$ to $+15.75V$ <sup>2</sup>, $V_{REF} = +10V$ ; $V_{P1H3} = V_{P1H4} = 0V$ , $V_{SS} = -300mV$ . All specifications $T_{min}$ to $T_{max}$ unless otherwise stated)

Parameter	J, A Versions	K, B Versions	S Version	T Version	Units	Test Conditions/Comments
<b>ACCURACY</b>						
Resolution	14	14	14	14	Bits	All grades guaranteed monotonic over temperature. Measured using internal $R_{FB}$ and includes effects of leakage current and gain T.C.
Relative Accuracy	$\pm 2$	$\pm 1$	$\pm 2$	$\pm 1$	LSB max	
Differential Nonlinearity	$\pm 1$	$\pm 1$	$\pm 1$	$\pm 1$	LSB max	
Full Scale Error	$\pm 8$	$\pm 4$	$\pm 8$	$\pm 4$	LSB max	
Gain Temperature Coefficient <sup>3</sup> $\Delta\text{Gain}/\Delta\text{Temperature}$	$\pm 5$	$\pm 2.5$	$\pm 5$	$\pm 2.5$	ppm/°C max	Typical value is 0.5ppm/°C
Output Leakage Current $I_{OUT}$ (Pin 3)						All digital inputs 0V $V_{SS} = -300mV$ $V_{SS} = 0V$
+ 25°C	$\pm 5$	$\pm 5$	$\pm 5$	$\pm 5$	nA max	
$T_{min}$ to $T_{max}$	$\pm 10$	$\pm 10$	$\pm 20$	$\pm 20$	nA max	
$T_{min}$ to $T_{max}$	$\pm 25$	$\pm 25$	$\pm 150$	$\pm 150$	nA max	
<b>REFERENCE INPUT</b>						
Input Resistance, Pin 1	3.5 10	3.5 10	3.5 10	3.5 10	k $\Omega$ min k $\Omega$ max	Typical Input Resistance = 6k $\Omega$
<b>DIGITAL INPUTS</b>						
$V_{IH}$ (Input High Voltage)	2.4	2.4	2.4	2.4	V min	$V_{IN} = 0V$ or $V_{DD}$
$V_{IL}$ (Input Low Voltage)	0.8	0.8	0.8	0.8	V max	
$I_{IN}$ (Input Current) + 25°C	$\pm 1$	$\pm 1$	$\pm 1$	$\pm 1$	$\mu A$ max	
$T_{min}$ to $T_{max}$	$\pm 10$	$\pm 10$	$\pm 10$	$\pm 10$	$\mu A$ max	
$C_{IN}$ (Input Capacitance) <sup>4</sup>	7	7	7	7	pF max	
<b>POWER SUPPLY</b>						
$V_{DD}$ Range	11.4/15.75	11.4/15.75	11.4/15.75	11.4/15.75	V min/V max	Specifications guaranteed over this range. All digital inputs $V_{IL}$ or $V_{IH}$ All digital inputs 0V or $V_{DD}$
$V_{SS}$ Range	-200/-500	-200/-500	-200/-500	-200/-500	mV min/mV max	
$I_{DD}$	3	3	3	3	mA max	
	500	500	500	500	$\mu A$ max	

These characteristics are included for Design Guidance only and are not subject to test. ( $V_{REF} = +10V$ ,  $V_{P1H3} = V_{P1H4} = 0V$ ,  $V_{SS} = -300mV$ , Output Amplifier is AD544 except where stated).

## AC PERFORMANCE CHARACTERISTICS

Parameter	$V_{DD} = +11.4V$ to $+15.75V$ $T_A = 25^\circ C$ , $T_A = T_{min}$ , $T_{max}$		Units	Test Conditions/Comments
Output Current Settling Time	1.5	-	$\mu s$ max	To 0.003% of full scale range. $I_{OUT}$ load = 100 $\Omega$ , $C_{EXT} = 13pF$ . DAC register alternately loaded with all 1's and all 0's. Typical value of Settling Time is 0.8 $\mu s$ .
Digital to Analog Glitch Impulse	100	-	nV-sec typ	Measured with $V_{REF} = 0V$ . $I_{OUT}$ load = 100 $\Omega$ , $C_{EXT} = 13pF$ . DAC register alternately loaded with all 1's and all 0's.
Multiplying Feedthrough Error <sup>4</sup>	3	5	mV p-p typ	$V_{REF} = \pm 10V$ , 10kHz sine wave DAC register loaded with all 0's.
Power Supply Rejection $\Delta\text{Gain}/\Delta V_{DD}$	$\pm 0.01$	$\pm 0.02$	% per % max	$\Delta V_{DD} = \pm 5\%$
Output Capacitance $C_{OUT}$ (Pin 3)	260	260	pF max	DAC register loaded with all 1's
$C_{OUT}$ (Pin 3)	130	130	pF max	DAC register loaded with all 0's
Output Noise Voltage Density (10Hz - 100kHz)	15	-	nV/ $\sqrt{Hz}$ typ	Measured between $R_{FB}$ and $I_{OUT}$

### NOTES

<sup>1</sup>Temperature range as follows: J, K Versions: 0 to +70°C

A, B Versions: -25°C to +85°C

S, T Versions: -55°C to +125°C

<sup>2</sup>Specifications are guaranteed for a  $V_{DD}$  of +11.4V to +15.75V. At  $V_{DD} = 5V$ , the device is fully functional with degraded specifications.

<sup>3</sup>Guaranteed by Product Assurance testing.

<sup>4</sup>Feedthrough can be further reduced by connecting the metal lid on the ceramic package to DGND.

Specifications subject to change without notice.

## TIMING CHARACTERISTICS<sup>1</sup> ( $V_{DD} = +11.4V$ to $+15.75V$ , $V_{REF} = +10V$ , $V_{PDM} = V_{PDM} = 0V$ , $V_{SS} = -300mV$ )

Parameter	Limit at $T_A = 25^\circ C$	Limit at $T_A = 0$ to $+70^\circ C$ $T_A = -25^\circ C$ to $+85^\circ C$	Limit at $T_A = -55^\circ C$ to $+125^\circ C$	Units	Test Conditions/Comments
$t_1$	0	0	0	ns min	Address Valid to Write Setup Time
$t_2$	0	0	0	ns min	Address Valid to Write Hold Time
$t_3$	140	160	180	ns min	Data Setup Time
$t_4$	20	20	30	ns min	Data Hold Time
$t_5$	0	0	0	ns min	Chip Select to Write Setup Time
$t_6$	0	0	0	ns min	Chip Select to Write Hold Time
$t_7$	170	200	240	ns min	Write Pulse Width

### NOTES

<sup>1</sup>Temperature range as follows: J, K Versions: 0 to  $+70^\circ C$   
 A, B Versions:  $-25^\circ C$  to  $+85^\circ C$   
 S, T Versions:  $-55^\circ C$  to  $+125^\circ C$

Specifications subject to change without notice.

### ABSOLUTE MAXIMUM RATINGS

( $T_A = 25^\circ C$  unless otherwise stated)

$V_{DD}$ (Pin 19) to DGND	$-0.3V$ , $+17V$
$V_{SS}$ (Pin 20) to AGND	$-15V$ , $+0.3V$
$V_{REF}$ (Pin 1) to AGND	$\pm 25V$
$V_{RFB}$ (Pin 2) to AGND	$\pm 25V$
Digital Input Voltage (Pins 7–18) to DGND	$-0.3V$ , $V_{DD}$
$V_{PDM}$ to DGND	$-0.3V$ , $V_{DD}$
AGND to DGND	$-0.3V$ , $V_{DD}$
Power Dissipation (Any Package)	
To $+75^\circ C$	450mW
Derates above $+75^\circ C$	6mW/ $^\circ C$

### Operating Temperature Range

Commercial (J, K Versions)	0 to $+70^\circ C$
Industrial (A, B Versions)	$-25^\circ C$ to $+85^\circ C$
Extended (S, T Versions)	$-55^\circ C$ to $+125^\circ C$
Storage Temperature	$-65^\circ C$ to $+150^\circ C$
Lead Temperature (Soldering, 10secs)	$+300^\circ C$

\*Stresses above those listed under "Absolute Maximum Ratings" may cause permanent damage to the device. This is a stress rating only and functional operation of the device at these or any other conditions above those indicated in the operational sections of this specification is not implied. Exposure to absolute maximum rating conditions for extended periods may affect device reliability.

### CAUTION

ESD (electrostatic discharge) sensitive device. The digital control inputs are diode protected; however, permanent damage may occur on unconnected devices subject to high energy electrostatic fields. Unused devices must be stored in conductive foam or shunts. The protective foam should be discharged to the destination socket before devices are inserted.



### ORDERING GUIDE

Model	Temperature Range	Relative Accuracy	Full Scale Error	Package Option*
AD7534JN	$0^\circ C$ to $+70^\circ C$	$\pm 2LSB$	$\pm 8LSB$	N-20
AD7534KN	$0^\circ C$ to $+70^\circ C$	$\pm 1LSB$	$\pm 4LSB$	N-20
AD7534JP	$0^\circ C$ to $+70^\circ C$	$\pm 2LSB$	$\pm 8LSB$	P-20A
AD7534KP	$0^\circ C$ to $+70^\circ C$	$\pm 1LSB$	$\pm 4LSB$	P-20A
AD7534AQ	$-25^\circ C$ to $+85^\circ C$	$\pm 2LSB$	$\pm 8LSB$	Q-20
AD7534BQ	$-25^\circ C$ to $+85^\circ C$	$\pm 1LSB$	$\pm 4LSB$	Q-20
AD7534SQ	$-55^\circ C$ to $+125^\circ C$	$\pm 2LSB$	$\pm 8LSB$	Q-20
AD7534TQ	$-55^\circ C$ to $+125^\circ C$	$\pm 1LSB$	$\pm 4LSB$	Q-20

\*N = Plastic DIP; P = Plastic Leaded Chip Carrier; Q = Cerdip.

# AD7534

## TERMINOLOGY

### RELATIVE ACCURACY

Relative accuracy or endpoint nonlinearity is a measure of the maximum deviation from a straight line passing through the endpoints of the DAC transfer function. It is measured after adjusting for zero error and full scale error and is normally expressed in Least Significant Bits or as a percentage of full scale reading.

### DIFFERENTIAL NONLINEARITY

Differential nonlinearity is the difference between the measured change and the ideal 1LSB change between any two adjacent codes. A specified differential nonlinearity of  $\pm 1$ LSB max over the operating temperature range ensures monotonicity.

### FULL-SCALE ERROR

Full scale error or gain error is a measure of the output error between an ideal DAC and the actual device output. Full scale error is adjustable to zero with an external potentiometer.

### DIGITAL TO ANALOG GLITCH IMPULSE

The amount of charge injected from the digital inputs to the analog output when the inputs change state. This is normally specified as the area of the glitch in either pA-secs or nV-secs depending upon whether the glitch is measured as a current or voltage. The measurement takes place with  $V_{REF} = AGND$ .

### OUTPUT CAPACITANCE

Capacitance from  $I_{OUT}$  to AGND.

### OUTPUT LEAKAGE CURRENT

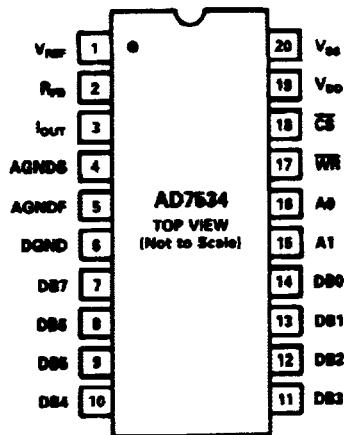
Current which appears at  $I_{OUT}$  with the DAC register loaded to all 0's.

### MULTIPLYING FEEDTHROUGH ERROR

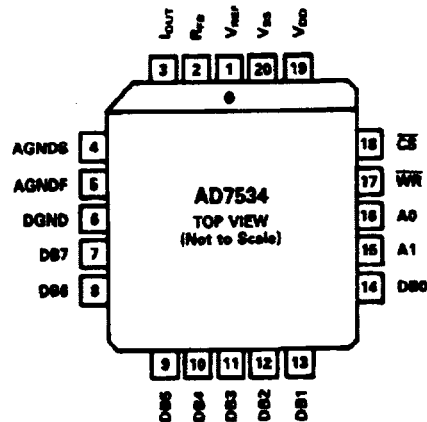
AC error due to capacitive feedthrough from  $V_{REF}$  terminal to  $I_{OUT}$  with DAC register loaded to all zeros.

## PIN CONFIGURATIONS

DIP



PLCC



# Pin Function Description — AD7534

Pin	Function	Description
1	V <sub>REF</sub>	Reference Input Voltage
2	R <sub>FB</sub>	Feedback resistor. Used to close the loop around an external op-amp.
3	I <sub>OUT</sub>	Current Output Terminal
4	AGNDS	Analog ground sense line. Reference point for external circuitry. This pin should carry minimal current.
5	AGNDF	Analog ground force line; carries current from internal analog ground connections. AGNDF and AGNDS are tied together internally.
6	DGND	Digital Ground
7	DB7	Data Bit 7
8	DB6	Data Bit 6
9	DB5	Data Bit 5 or Data Bit 13 (DAC MSB)
10	DB4	Data Bit 4 or Data Bit 12
11	DB3	Data Bit 3 or Data Bit 11
12	DB2	Data Bit 2 or Data Bit 10
13	DB1	Data Bit 1 or Data Bit 9
14	DB0	Data Bit 0 or Data Bit 8
15	A1	Address line 1
16	A0	Address line 0
17	$\overline{WR}$	Write input. Active low.
18	$\overline{CS}$	Chip Select Input. Active low.

$\overline{WR}$	$\overline{CS}$	A1	A0	Function
X <sup>1</sup>	1	X	X	Device not selected
1	X	X	X	No data transfer
0	0	0	0	DAC loaded directly from Data Bus <sup>2</sup>
0	0	0	1	MS Input Register loaded from Data Bus
0	0	1	0	LS Input Register loaded from Data Bus
0	0	1	1	DAC Register loaded from Input Registers.

### NOTES

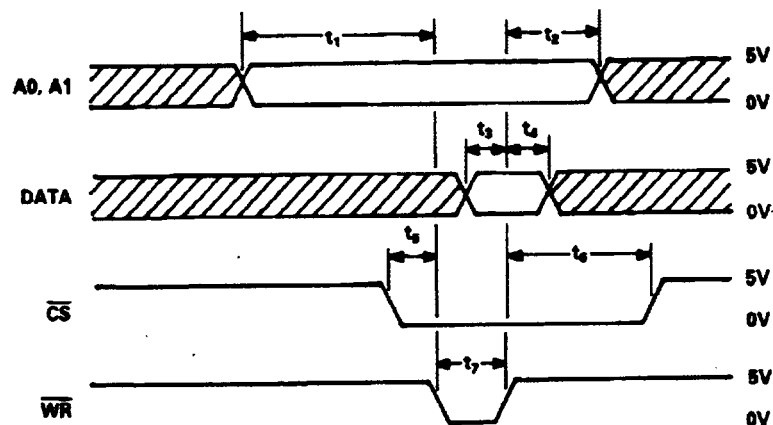
1. X = Don't Care

2. When A<sub>1</sub>=0, A<sub>0</sub>=0 all DAC registers are transparent, so by placing all 0's or all 1's on the data inputs the user can load the DAC to zero or full scale output in one write operation. This facility simplifies system calibration.

+12V to +15V supply input.

Bias pin for High Temperature Low Leakage configuration. To implement low leakage system, the pin should be at a negative voltage. See Figures 4, 5 or 6 for recommended circuitry.

19 V<sub>DD</sub>  
20 V<sub>SS</sub>



### NOTES

1. ALL INPUT SIGNAL RISE AND FALL TIMES MEASURED FROM 10% TO 90% OF +5V.  $t_r = t_f = 20\text{ns}$ .

2. TIMING MEASUREMENT REFERENCE LEVEL IS  $\frac{V_{OH} + V_{OL}}{2}$

Figure 1. AD7534 Timing Diagram

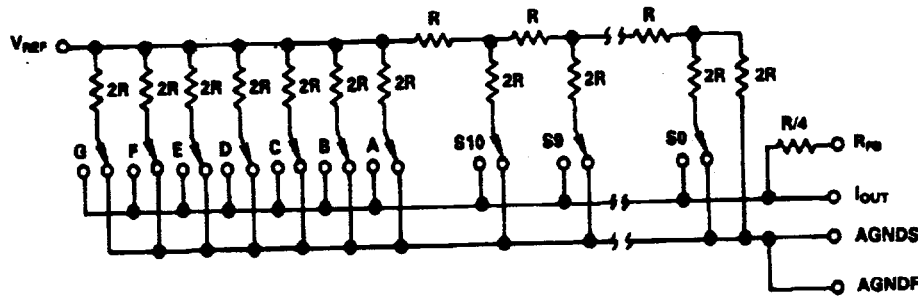


Figure 2. Simplified Circuit Diagram for the AD7534 D/A Section

#### CIRCUIT INFORMATION - D/A SECTION

Figure 2 shows a simplified circuit diagram for the AD7534 D/A section. The three MSB's of the 14-bit Data Word are decoded to drive the seven switches A-G. The 11 LSB's of the Data Word drive an inverted R-2R ladder which steers the binary weighted current available to it between  $I_{OUT}$  and AGNDF.

If  $I$  is taken as the input current at  $V_{REF}$  the input current to the R-2R ladder is  $1/8$ .  $7/8 I$  flows in the parallel ladder structure. Switches A-G steer binary weighted current between  $I_{OUT}$  and AGNDF.

The input resistance at  $V_{REF}$  is constant and may be driven by a voltage source or a current source of positive or negative polarity.

#### EQUIVALENT CIRCUIT ANALYSIS

Figure 3 shows an equivalent circuit for the analog section of the AD7534 D/A converter. The current source  $I_{LEAKAGE}$  is composed of surface and junction leakages. The resistor  $R_O$  denotes the equivalent output resistance of the DAC which varies with input code.  $C_{OUT}$  is the capacitance due to the current steering switches and varies from about 90pF to 180pF (typical values) depending upon the digital input.  $g(V_{REF}, N)$  is the Thevenin equivalent voltage generator due to the reference

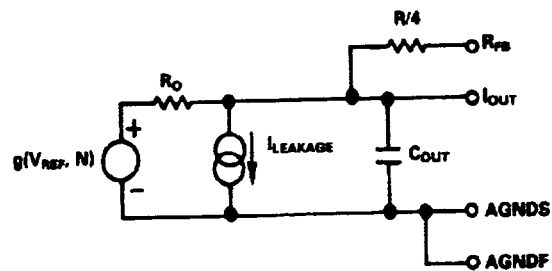


Figure 3. AD7534 Equivalent Analog Output Circuit

input voltage,  $V_{REF}$ , and the transfer function of the R-2R ladder,  $N$ .

#### CIRCUIT INFORMATION - DIGITAL SECTION

The digital inputs are designed to be both TTL and 5V CMOS compatible. All logic inputs are static protected MOS gates with typical input currents of less than 1nA. Internal input protection is achieved by an on-chip distributed diode from DGND to each MOS gate. To minimize power supply currents, it is recommended that the digital input voltages be driven as close as possible to 0 and 5V logic levels.



# AD7534

## GROUNDING TECHNIQUES

Since the AD7534 is specified for high accuracy, it is important to use a proper grounding technique. The two AGND pins (AGNDF and AGNDS) provide flexibility in this respect. In Figure 4, AGNDS and AGNDF are externally shorted and A2 is not used. Voltage drops due to bond wire resistances are not compensated for in this circuit. This means that an extra linearity error of less than 0.11LSB is added to the DAC linearity error. If the user wishes to eliminate this extra error, then the circuit of Figure 6 should be used. Here, A2 is used to maintain AGNDS

at Signal Ground potential. By using the Force, Sense technique all switch contacts on the DAC are at exactly the same potential and any error due to bond wire resistance is eliminated.

Figure 7 shows a Printed Circuit Board layout for the AD7534 with a single output amplifier. The input to  $V_{REF}$  (pin 1) is shielded to reduce ac feedthrough while the digital inputs are shielded to minimize digital feedthrough. The tracks connecting  $I_{OUT}$  and AGNDS to the inverting and noninverting op amp inputs are kept as short as possible. Gain trim components, R3 and R4, have been omitted.

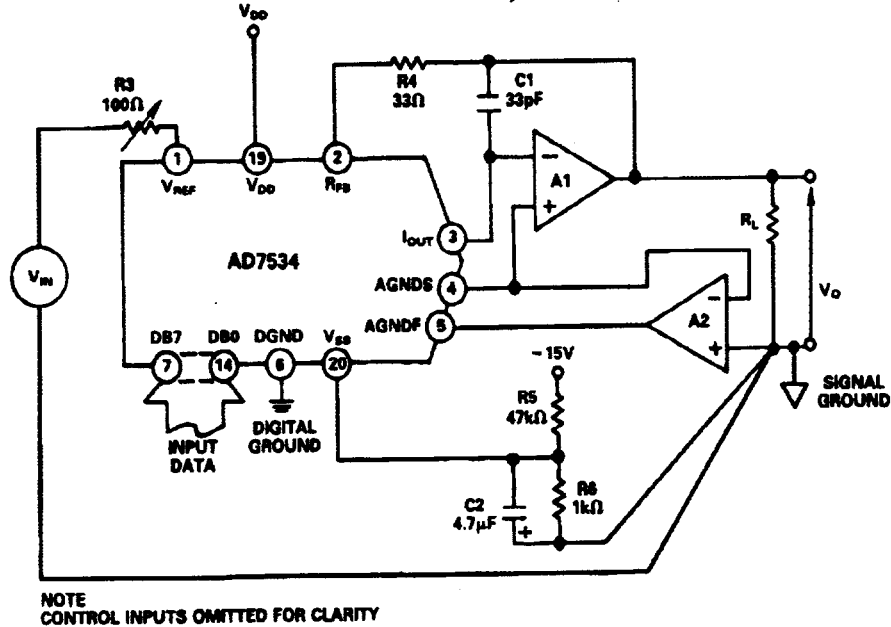


Figure 6. Unipolar Binary Operation with Forced Ground

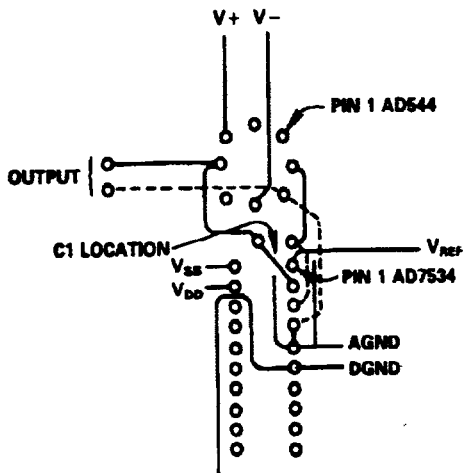


Figure 7. Suggested Layout for AD7534 Incorporating Output Amplifier

## ZERO OFFSET AND GAIN ADJUSTMENT FOR FIGURE 6

### Zero Offset Adjustment

1. Load DAC register with all 0's.
2. Adjust offset of amplifier A2 for minimum potential at AGNDS. This potential should be  $\leq 30\mu\text{V}$  with respect to Signal Ground.
3. Adjust offset of amplifier A1 so that  $V_O$  is at a minimum (i.e.  $\leq 30\mu\text{V}$ ).

### Gain Adjustment

1. Load DAC register with all 1's.
2. Trim potentiometer R3 so that  $V_O = -V_{IN} \left( \frac{16383}{16384} \right)$

### LOW LEAKAGE CONFIGURATION

For CMOS Multiplying D/A converters, as the device is operated at higher temperatures the output leakage current increases. For a 14-bit resolution system, this can be a significant source of error. The AD7534 features a leakage reduction configuration to keep the leakage current low over an extended temperature range. One may operate the device with or without this configuration. If  $V_{SS}$  (pin 20) is tied to AGND then the DAC will exhibit normal output leakage current at high temperatures. To use the low leakage facility,  $V_{SS}$  should be tied to a voltage of approximately  $-0.3V$  as in Figures 4, 5 and 6. A simple resistor divider ( $R_5$ ,  $R_6$ ) produces  $-312mV$  from  $-15V$ . The capacitor  $C_2$  in parallel with  $R_6$  is an integral part of the low leakage configuration and must be  $4.7\mu F$  or greater. Figure 8 is a plot of leakage current versus temperature for both conditions. It clearly shows the improvement gained by using the low leakage configuration.

### OP AMP SELECTION

In choosing an amplifier to be used with the AD7534, three

parameters are of prime importance. These are Input Offset Voltage ( $V_{OS}$ ), Input Bias Current, ( $I_{BIAS}$ ) and Offset Voltage Drift. To maintain specified accuracy with  $V_{REF}$  at  $10V$ ,  $V_{OS}$  must be less than  $30\mu V$  while  $I_{BIAS}$  should be less than  $2nA$ . Also the open loop gain of the amplifier must be sufficiently high to keep  $V_{OS} \leq 30\mu V$  for the full output voltage range. Thus for a max output of  $10V$ ,  $A_{VOL}$  must be greater than  $340,000$ .

An amplifier with low offset voltage drift is required to give the desired system accuracy over an operating temperature range.

At low frequencies the AD OP-07 satisfies the above requirements and in most cases will not need an offset adjust potentiometer.

For high frequency operation, one may use a wide bandwidth amplifier such as the AD544 or the LF356 with either an offset adjust potentiometer or automatic nulling circuitry.

The choice of amplifier depends entirely on the required system accuracy, the required temperature range, and the operating frequency.

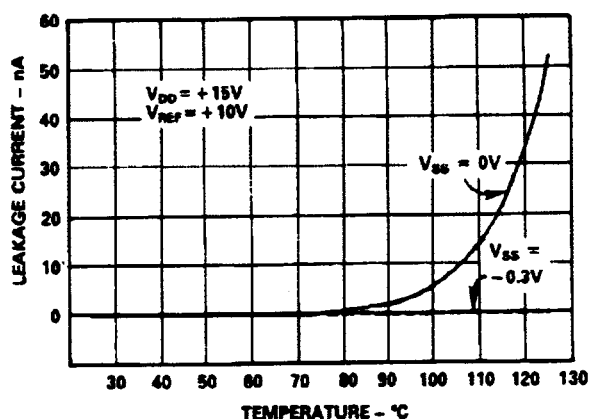


Figure 8. Graph of Typical Leakage Current vs. Temperature for AD7534

# AD7534

## MICROPROCESSOR INTERFACING AD7534 - 8085A INTERFACE

A typical interface circuit for the AD7534 and the 8085A microprocessor is given in Figure 9. The microprocessor sees the DAC as four memory locations, identified by address lines A0, A1. In standard operation, three of these memory locations are used. A sample program for loading the DAC with a 14-bit word is given in Table III. The AD7534 has address locations 3000-3003.

The six MSBs are written into location 3001, and the eight LSBs are written to 3002. Then with a write instruction to 3003

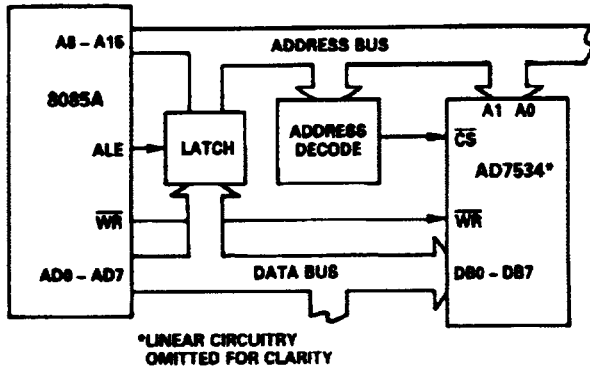


Figure 9. AD7534 - 8085A Interface

the full 14-bit word is loaded to the DAC register and the analog equivalent appears at the output.

## AD7534 - 8086 INTERFACE

The AD7534 may be interfaced to the 16-bit 8086 microprocessor using the circuit of Figure 10. The bottom 8 bits (AD0-AD7) of the 16-bit data bus are connected to the DAC data bus. The 14-bit word is loaded in two bytes using the MOV instruction. A further MOV loads the DAC register and causes the analog data to appear at the converter output. For the example given here, the appropriate DAC register addresses are D002, D004, D006. The program for loading the DAC is given below in Table IV.

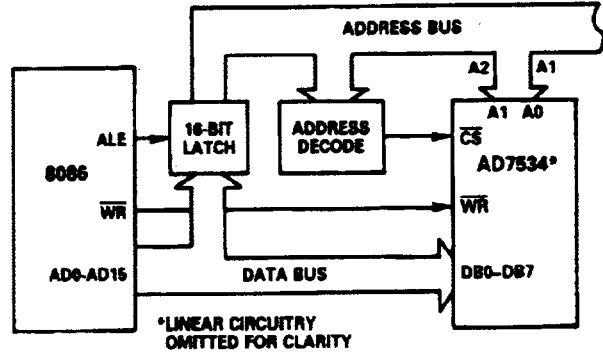


Figure 10. AD7534 - 8086 Interface Circuit

Address	Op-Code	Mnemonic
2000	26	MVI H, # 30
01	30	
02	2E	MVI L, # 01
03	01	
04	3E	MVI A, # "MS"
05	"MS"	
06	77	MOV M, A
07	2C	INR L
08	3E	MVI A, # "LS"
09	"LS"	
0A	77	MOV M, A
0B	2C	INR L
0C	77	MOV M, A
200D	CF	RST I

Table III. Program Listing for Figure 9

ASSUME DS: DACLOAD, CS : DACLOAD  
DACLOAD SEGMENT AT 000

00	8CC9	MOV CX, CS	: DEFINE DATA SEGMENT REGISTER EQUAL
02	8ED9	MOV DS, CX	: TO CODE SEGMENT REGISTER
04	BF02D0	MOV DI, # D002	: LOAD DI WITH D002
07	C605"MS"	MOV MEM, # "MS"	: MS INPUT REGISTER LOADED WITH "MS"
0A	47	INC DI	
0B	47	INC DI	
0C	C605"LS"	MOV MEM, # "LS"	: LS INPUT REGISTER LOADED WITH "LS"
0F	47	INC DI	
10	47	INC DI	
11	C60500	MOV MEM, # 00	: CONTENTS OF INPUT REGISTERS ARE LOADED TO THE DAC REGISTER.
14	EA0000	JMP MEM	: CONTROL IS RETURNED TO THE MONITOR PROGRAM
17	00FF		

Table IV. Sample Program for Loading AD7534 from 8086

**AD7534 - MC6809 INTERFACE**

Figure 11 shows an interface circuit which enables the AD7534 to be programmed using the MC6809 8-bit microprocessor. By making use of the 16-bit D Accumulator, the transfer of data is simplified. The two key processor instructions are:

- LDD Load D Accumulator from memory.
- STD Store D Accumulator to memory.

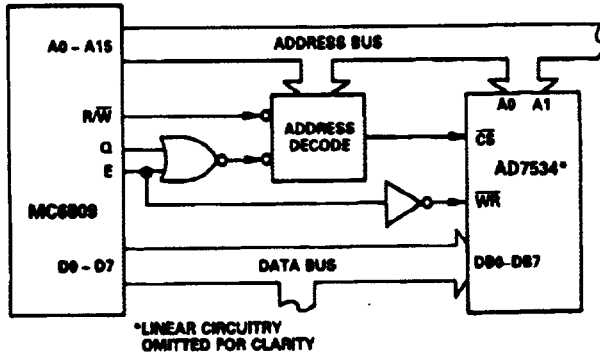


Figure 11. AD7534 - MC6809 Interface Circuit

**AD7534 - 6502 INTERFACE**

The interface circuit for the 6502 microprocessor is shown in Figure 12.

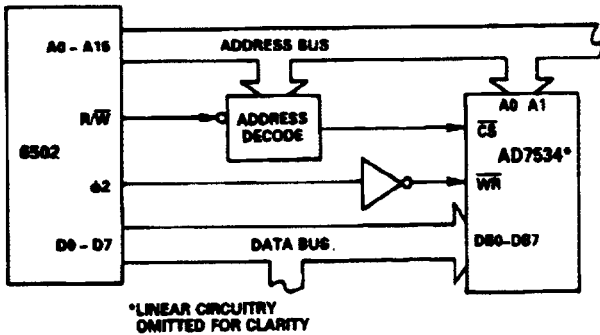


Figure 12. AD7534 - 6502 Interface

**AD7534 - Z80 INTERFACE**

Interfacing to the Z80 microprocessor requires a minimal amount of extra components. The circuit consists of the Z80 processor, the AD7534 and an address decoder for the DAC. Figure 13, below, illustrates the circuit.

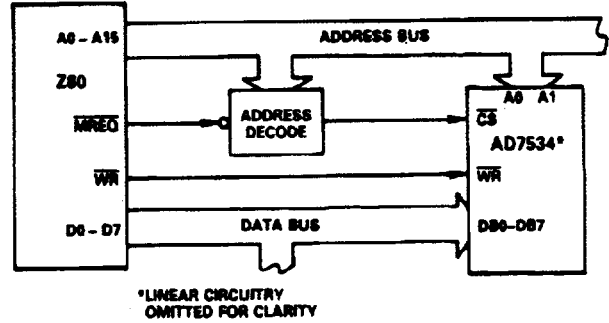


Figure 13. AD7534 - Z80 Interface

# AD7534

## AD7534 - MC68000 INTERFACE

Interfacing between the MC68000 and the AD7534 is accomplished using the circuit of Figure 14. The following routine writes data to the DAC input registers and then outputs the data via the DAC register.

<pre>                 *A2 E003 01000 MOVE.W   *W, D0                 MOVEP.W D0, \$0000(A2)                 MOVE.W  D0, \$E006                 MOVE.B  *228, D7                 TRAP    *14             </pre>	<p>Address Register 2 is loaded with E003.</p> <p>The desired DAC data, W, is loaded into Data Register 0. W may be any value between 0 and 16383 (decimal) or 0 and 3FFF (hexadecimal).</p> <p>The data W is transferred between D0 and the Input Registers of the DAC. The high order byte of data is transferred first. The memory address is specified using the address register indirect plus displacement addressing mode. The address used in this instance (E003) is odd and so data is transferred on the low order half of the data bus (D0-D7).</p> <p>This instruction provides appropriate signals to transfer the data W from the DAC Input Registers to the DAC Register, which controls the switches in the 14-bit D/A structure.</p> <p>Control is returned to the System Monitor Program using these two instructions.</p>
--	---

Since only the lower half of the Data Bus is used in this interfacing system, it is also suitable for use with the MC68008. This provides the user with an eight bit data bus instead of the MC68000's sixteen bit data bus.

### DIGITAL FEEDTHROUGH

In the preceding interface configurations, most digital inputs to the AD7534 are directly connected to the microprocessor bus. Even when the device is not selected, these inputs will be constantly changing. The high frequency logic activity on the bus can feed through the DAC package capacitance to show up as noise on

the analog output. To minimize this digital feedthrough isolate the DAC from the noise source. Figure 15 shows an interface circuit which physically isolates the DAC from the bus. One may also use other means, such as peripheral interface devices, to reduce the digital feedthrough.

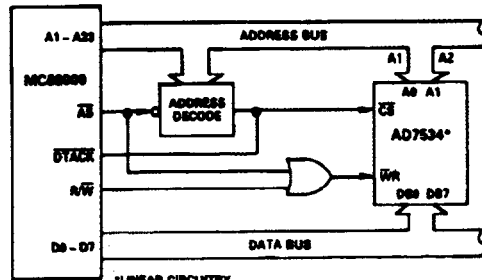


Figure 14. AD7534 - MC68000 Interface

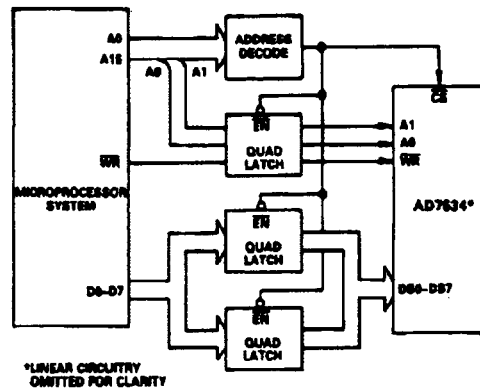
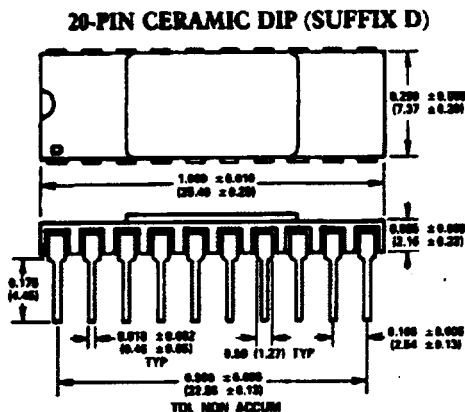


Figure 15. AD7534 Interface Circuit Using Latches to Minimize Digital Feedthrough

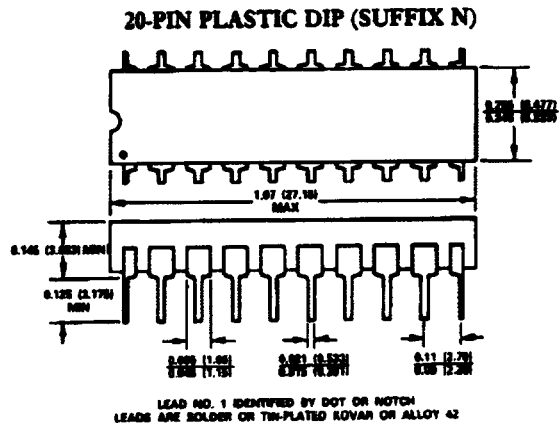
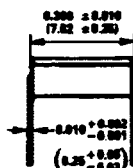
## MECHANICAL INFORMATION

### OUTLINE DIMENSIONS

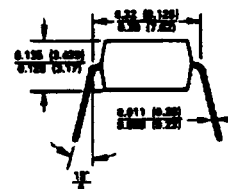
Dimensions shown in inches and (mm).



NOTES:  
 1. LEAD NUMBER 1 IDENTIFIED BY DOT OR NOTCH.  
 2. LEADS WILL BE EITHER GOLD OR TIN PLATED IN ACCORDANCE WITH MIL-MS-38510 REQUIREMENTS.



LEAD NO. 1 IDENTIFIED BY DOT OR NOTCH  
 LEADS ARE BOLDER OR TIN-PLATED ROVAM OR ALLOY 42



## Looking for pricing, stock, or lifecycle information?

Click below to explore more details on WIN SOURCE:

 [View AD7534JNZ on WIN SOURCE](#)

 [Analog Devices Inc. Information](#)

## Optimize Your Supply Chain with WIN SOURCE Solutions

-  Global Sourcing Solution
-  Obsolete Management
-  Cost Control Management
-  Shortage Management
-  Alternative Solution
-  Excess Inventory Management