



THE DATASHEET OF FML-14S



1. Scope

The present specifications shall apply to Sanken silicon diode, FML-14S.

2. Outline

| | | |
|--------------|------------------------------|-------------------------------------|
| Type | Silicon Rectifier Diode | |
| Structure | Resin Molded | Flammability : UL94V-0 (Equivalent) |
| Applications | High Frequency Rectification | |

3. Absolute maximum ratings

| No. | Item | Symbol | Unit | Rating | Conditions |
|-----|--------------------------------|-------------|----------------------|----------|--|
| 1 | Transient Peak Reverse Voltage | V_{RSM} | V | 400 | |
| 2 | Peak Reverse Voltage | V_{RM} | V | 400 | |
| 3 | Average Forward Current | $I_{F(AV)}$ | A | 5 | $T_c=122^{\circ}\text{C}$ Sinewave |
| 4 | Peak Surge Forward Current | I_{FSM} | A | 40 | 10msec. Half sinewave, one shot |
| 5 | I^2t Limiting Value | I^2t | A^2s | 8 | $1\text{msec} \leq t \leq 10\text{msec}$ |
| 6 | Junction Temperature | T_j | $^{\circ}\text{C}$ | -40~+150 | |
| 7 | Storage Temperature | T_{stg} | $^{\circ}\text{C}$ | -40~+150 | |

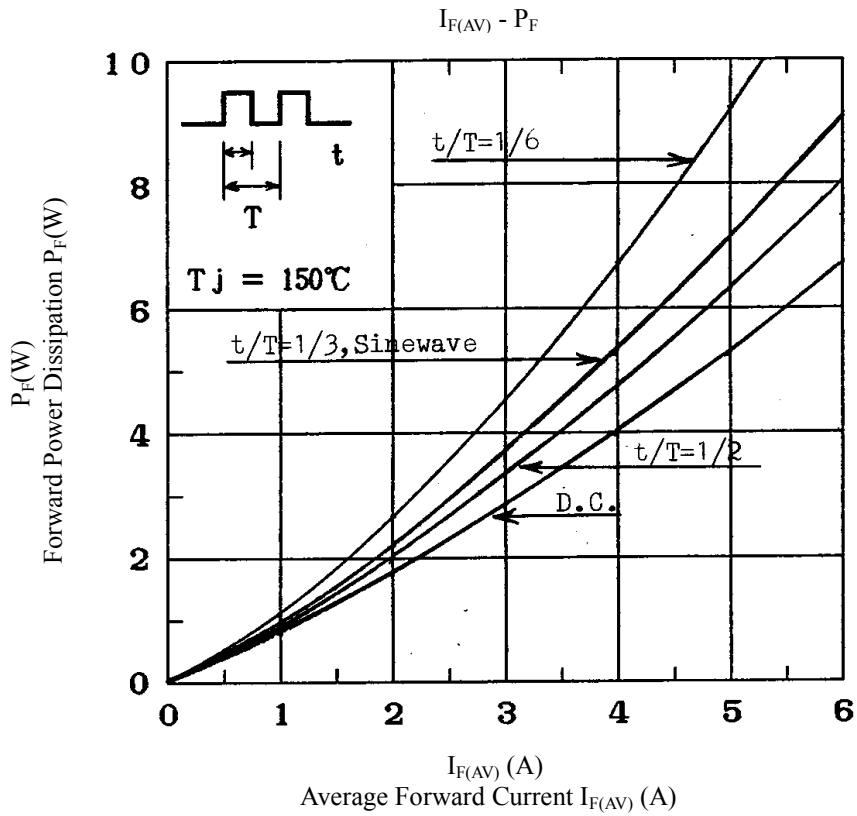
No.1,2,4&5 show ratings per one chip.

4. Electrical characteristics ($T_a=25^{\circ}\text{C}$, unless otherwise specified)

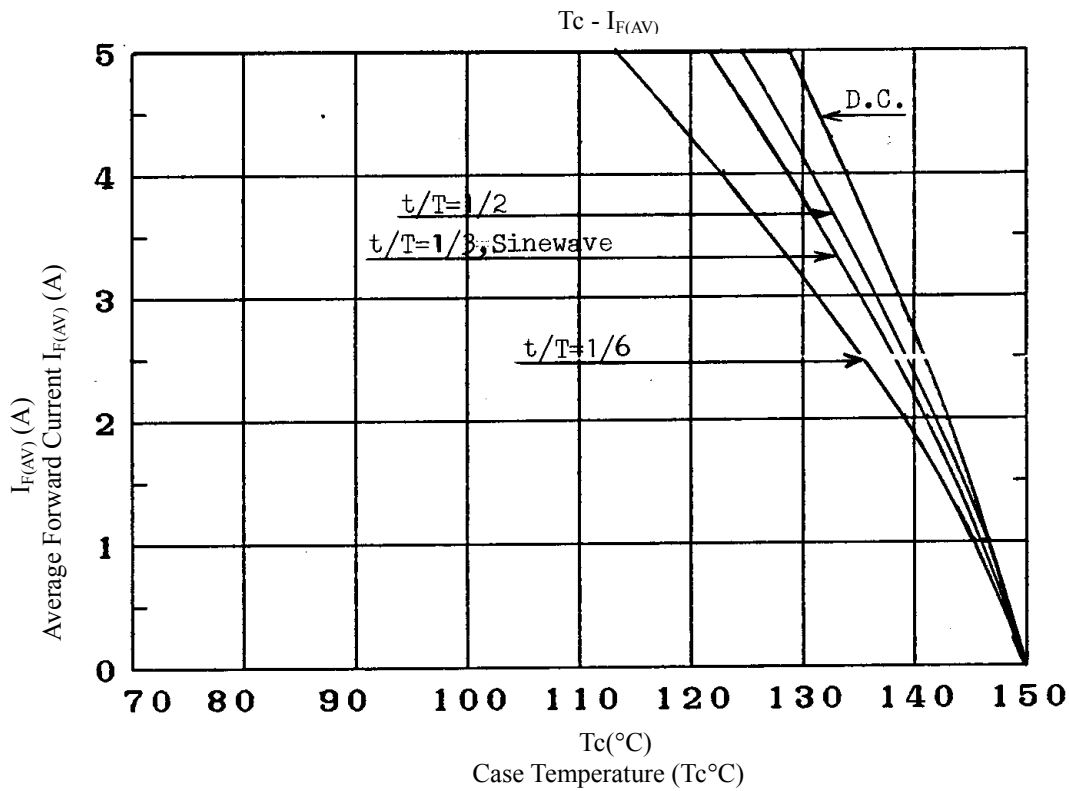
| No. | Item | Symbol | Unit | Value | Conditions |
|-----|--|---------------|-----------------------------|----------|--|
| 1 | Forward Voltage Drop | V_F | V | 1.3 max. | $I_F=2.5\text{A}$ |
| 2 | Reverse Leakage Current | I_R | μA | 50 max. | $V_R=V_{RM}$ |
| 3 | Reverse Leakage Current Under High Temperature | $H \cdot I_R$ | μA | 100 max. | $V_R=V_{RM}$, $T_a=100^{\circ}\text{C}$ |
| 4 | Reverse Recovery Time | trr1 | ns | 50 max. | $I_F=I_{RP}=100\text{mA}$ 90% Recovery point, $T_a=25^{\circ}\text{C}$ |
| | | trr2 | ns | 35 max. | $I_F=100\text{mA}$, $I_{RP}=200\text{mA}$ 75% Recovery point, $T_a=25^{\circ}\text{C}$ |
| 5 | Thermal Resistance | $R_{th(j-c)}$ | $^{\circ}\text{C}/\text{W}$ | 4.0 max. | Between Junction and case |

No.1,2,3&4 show characteristics per one chip.

5. Characteristics

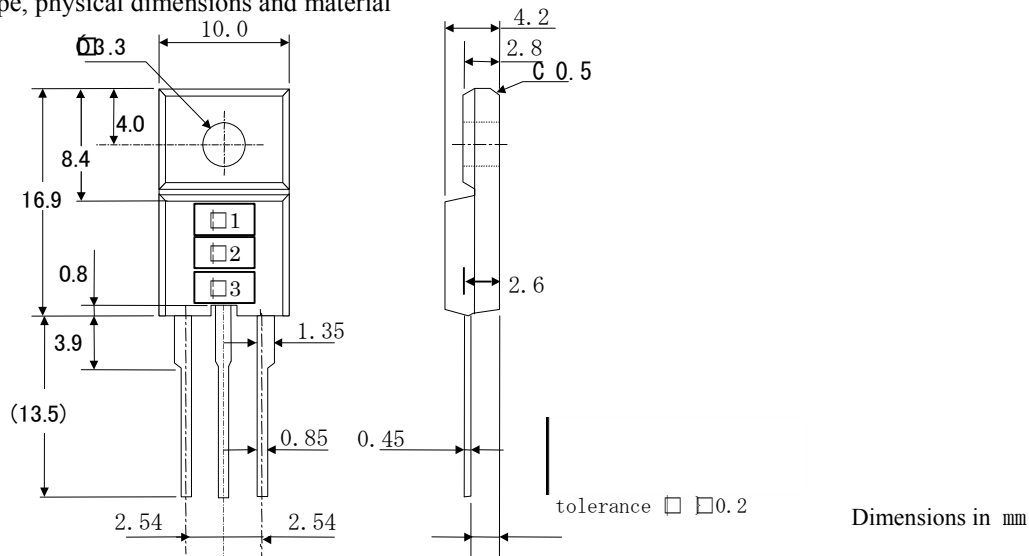


6. Derating



7. Package information

7-1 Package type, physical dimensions and material



7-2 Appearance



The body shall be clean and shall not bear any stain, rust or flaw.

7-3 Marking

| Type Name | Marking | | |
|-----------|-----------------|----------------|---|
| | *1 Type Name | *2 Polarity | *3 Lot number |
| FML-14S | FML14S | | 1st letter: Last digit of year 2nd letter: Month From 1 to 9 for Jan. to Sep., O for Oct., N for Nov., D for Dec. 3rd & 4th letter: Day ex. 4806 (Aug. 6, 2004) |

Looking for pricing, stock, or lifecycle information?

Click below to explore more details on WIN SOURCE:

-  [View FML-14S on WIN SOURCE](#)
-  [Sanken Information](#)

Optimize Your Supply Chain with WIN SOURCE Solutions

-  Global Sourcing Solution
-  Obsolete Management
-  Cost Control Management
-  Shortage Management
-  Alternative Solution
-  Excess Inventory Management