



THE DATASHEET OF LMC6464AIN



LMC6462, LMC6464

*LMC6462 Dual/LMC6464 Quad Micropower, Rail-to-Rail Input and Output CMOS
Operational Amplifier*



Literature Number: SNOS725C

LMC6462 Dual/LMC6464 Quad

Micropower, Rail-to-Rail Input and Output CMOS Operational Amplifier

General Description

The LMC6462/4 is a micropower version of the popular LMC6482/4, combining Rail-to-Rail Input and Output Range with very low power consumption.

The LMC6462/4 provides an input common-mode voltage range that exceeds both rails. The rail-to-rail output swing of the amplifier, guaranteed for loads down to 25 k Ω , assures maximum dynamic signal range. This rail-to-rail performance of the amplifier, combined with its high voltage gain makes it unique among rail-to-rail amplifiers. The LMC6462/4 is an excellent upgrade for circuits using limited common-mode range amplifiers.

The LMC6462/4, with guaranteed specifications at 3V and 5V, is especially well-suited for low voltage applications. A quiescent power consumption of 60 μ W per amplifier (at $V_S = 3V$) can extend the useful life of battery operated systems. The amplifier's 150 fA input current, low offset voltage of 0.25 mV, and 85 dB CMRR maintain accuracy in battery-powered systems.

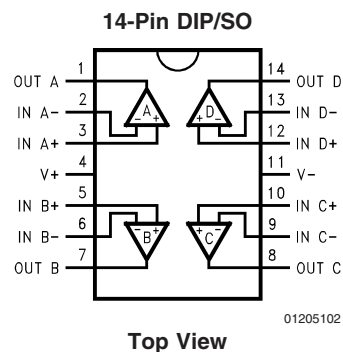
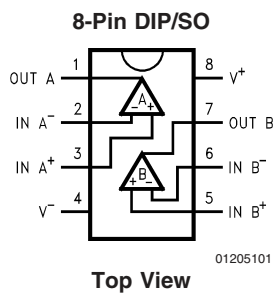
Features

(Typical unless otherwise noted)

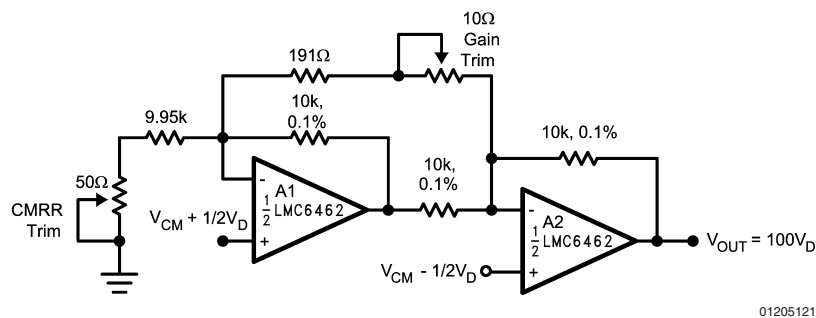
- Ultra Low Supply Current 20 μ A/Amplifier
- Guaranteed Characteristics at 3V and 5V
- Rail-to-Rail Input Common-Mode Voltage Range
- Rail-to-Rail Output Swing (within 10 mV of rail, $V_S = 5V$ and $R_L = 25 k\Omega$)
- Low Input Current 150 fA
- Low Input Offset Voltage 0.25 mV

Applications

- Battery Operated Circuits
- Transducer Interface Circuits
- Portable Communication Devices
- Medical Applications
- Battery Monitoring



Low-Power Two-Op-Amp Instrumentation Amplifier



Absolute Maximum Ratings (Note 1)

If Military/Aerospace specified devices are required, please contact the National Semiconductor Sales Office/Distributors for availability and specifications.

| | |
|---|--|
| ESD Tolerance (Note 2) | 2.0 kV |
| Differential Input Voltage | ±Supply Voltage |
| Voltage at Input/Output Pin | (V ⁺) + 0.3V, (V ⁻) - 0.3V |
| Supply Voltage (V ⁺ - V ⁻) | 16V |
| Current at Input Pin (Note 12) | ±5 mA |
| Current at Output Pin (Notes 3, 8) | ±30 mA |
| Current at Power Supply Pin | 40 mA |
| Lead Temp. (Soldering, 10 sec.) | 260°C |
| Storage Temperature Range | -65°C to +150°C |
| Junction Temperature (Note 4) | 150°C |

Operating Ratings (Note 1)

| | |
|---------------------------------------|---------------------------------|
| Supply Voltage | 3.0V ≤ V ⁺ ≤ 15.5V |
| Junction Temperature Range | |
| LMC6462AM, LMC6464AM | -55°C ≤ T _J ≤ +125°C |
| LMC6462AI, LMC6464AI | -40°C ≤ T _J ≤ +85°C |
| LMC6462BI, LMC6464BI | -40°C ≤ T _J ≤ +85°C |
| Thermal Resistance (θ _{JA}) | |
| N Package, 8-Pin Molded DIP | 115°C/W |
| M Package, 8-Pin Surface | |
| Mount | 193°C/W |
| N Package, 14-Pin Molded DIP | 81°C/W |
| M Package, 14-Pin | |
| Surface Mount | 126°C/W |

5V DC Electrical Characteristics

Unless otherwise specified, all limits guaranteed for T_J = 25°C, V⁺ = 5V, V⁻ = 0V, V_{CM} = V_O = V⁺/2 and R_L > 1M. **Boldface** limits apply at the temperature extremes.

| Symbol | Parameter | Conditions | Typ (Note 5) | LMC6462AI | LMC6462BI | LMC6462AM | Units |
|-------------------|--|---|-----------------|--------------------------------|--------------------------------|--------------------------------|-----------|
| | | | | LMC6464AI Limit (Note 6) | LMC6464BI Limit (Note 6) | LMC6464AM Limit (Note 6) | |
| V _{OS} | Input Offset Voltage | | 0.25 | 0.5 1.2 | 3.0 3.7 | 0.5 1.5 | mV max |
| TCV _{OS} | Input Offset Voltage Average Drift | | 1.5 | | | | µV/°C |
| I _B | Input Current | (Note 13) | 0.15 | 10 | 10 | 200 | pA max |
| I _{OS} | Input Offset Current | (Note 13) | 0.075 | 5 | 5 | 100 | pA max |
| C _{IN} | Common-Mode Input Capacitance | | 3 | | | | pF |
| R _{IN} | Input Resistance | | >10 | | | | Tera Ω |
| CMRR | Common Mode Rejection Ratio | 0V ≤ V _{CM} ≤ 15.0V, V ⁺ = 15V | 85 | 70 67 | 65 62 | 70 65 | dB min |
| | | 0V ≤ V _{CM} ≤ 5.0V V ⁺ = 5V | 85 | 70 67 | 65 62 | 70 65 | |
| +PSRR | Positive Power Supply Rejection Ratio | 5V ≤ V ⁺ ≤ 15V, V ⁻ = 0V, V _O = 2.5V | 85 | 70 67 | 65 62 | 70 65 | dB min |
| -PSRR | Negative Power Supply Rejection Ratio | -5V ≤ V ⁻ ≤ -15V, V ⁺ = 0V, V _O = -2.5V | 85 | 70 67 | 65 62 | 70 65 | dB min |
| V _{CM} | Input Common-Mode Voltage Range | V ⁺ = 5V For CMRR ≥ 50 dB | -0.2 | -0.10 0.00 | -0.10 0.00 | -0.10 0.00 | V max |
| | | | 5.30 | 5.25 5.00 | 5.25 5.00 | 5.25 5.00 | V min |
| | | V ⁺ = 15V For CMRR ≥ 50 dB | -0.2 | -0.15 0.00 | -0.15 0.00 | -0.15 0.00 | V max |
| | | | 15.30 | 15.25 15.00 | 15.25 15.00 | 15.25 15.00 | V min |

5V DC Electrical Characteristics (Continued)

Unless otherwise specified, all limits guaranteed for $T_J = 25^\circ\text{C}$, $V^+ = 5\text{V}$, $V^- = 0\text{V}$, $V_{CM} = V_O = V^+/2$ and $R_L > 1\text{M}$. **Boldface** limits apply at the temperature extremes.

| Symbol | Parameter | Conditions | Typ (Note 5) | LMC6462AI | LMC6462BI | LMC6462AM | Units | |
|--|---|---|-----------------|--------------------------------|--------------------------------|--------------------------------|---------------|-----|
| | | | | LMC6464AI Limit (Note 6) | LMC6464BI Limit (Note 6) | LMC6464AM Limit (Note 6) | | |
| A_V | Large Signal Voltage Gain | $R_L = 100\text{ k}\Omega$ (Note 7) | Sourcing | 3000 | | | V/mV min | |
| | | | Sinking | 400 | | | V/mV min | |
| | | $R_L = 25\text{ k}\Omega$ (Note 7) | Sourcing | 2500 | | | V/mV min | |
| | | | Sinking | 200 | | | V/mV min | |
| V_O | Output Swing | $V^+ = 5\text{V}$ $R_L = 100\text{ k}\Omega$ to $V^+/2$ | | 4.995 | 4.990 | 4.950 | 4.990 | V |
| | | | | | 4.980 | 4.925 | 4.970 | min |
| | | $V^+ = 5\text{V}$ $R_L = 25\text{ k}\Omega$ to $V^+/2$ | | 0.005 | 0.010 | 0.050 | 0.010 | V |
| | | | | | 0.020 | 0.075 | 0.030 | max |
| | | $V^+ = 5\text{V}$ $R_L = 25\text{ k}\Omega$ to $V^+/2$ | | 4.990 | 4.975 | 4.950 | 4.975 | V |
| | | | | | 4.965 | 4.850 | 4.955 | min |
| | | $V^+ = 5\text{V}$ $R_L = 25\text{ k}\Omega$ to $V^+/2$ | | 0.010 | 0.020 | 0.050 | 0.020 | V |
| | | | | | 0.035 | 0.150 | 0.045 | max |
| | | $V^+ = 15\text{V}$ $R_L = 100\text{ k}\Omega$ to $V^+/2$ | | 14.990 | 14.975 | 14.950 | 14.975 | V |
| | | | | | 14.965 | 14.925 | 14.955 | min |
| | | $V^+ = 15\text{V}$ $R_L = 100\text{ k}\Omega$ to $V^+/2$ | | 0.010 | 0.025 | 0.050 | 0.025 | V |
| | | | | | 0.035 | 0.075 | 0.050 | max |
| $V^+ = 15\text{V}$ $R_L = 25\text{ k}\Omega$ to $V^+/2$ | | 14.965 | 14.900 | 14.850 | 14.900 | V | | |
| | | | 14.850 | 14.800 | 14.800 | min | | |
| $V^+ = 15\text{V}$ $R_L = 25\text{ k}\Omega$ to $V^+/2$ | | 0.025 | 0.050 | 0.100 | 0.050 | V | | |
| | | | 0.150 | 0.200 | 0.200 | max | | |
| I_{SC} | Output Short Circuit Current $V^+ = 5\text{V}$ | Sourcing, $V_O = 0\text{V}$ | 27 | 19 | 19 | 19 | mA | |
| | | | | 15 | 15 | 15 | min | |
| I_{SC} | Output Short Circuit Current $V^+ = 15\text{V}$ | Sinking, $V_O = 5\text{V}$ | 27 | 22 | 22 | 22 | mA | |
| | | | | 17 | 17 | 17 | min | |
| I_{SC} | Output Short Circuit Current $V^+ = 15\text{V}$ | Sourcing, $V_O = 0\text{V}$ | 38 | 24 | 24 | 24 | mA | |
| | | | | 17 | 17 | 17 | min | |
| I_{SC} | Output Short Circuit Current $V^+ = 15\text{V}$ | Sinking, $V_O = 12\text{V}$ (Note 8) | 75 | 55 | 55 | 55 | mA | |
| | | | | 45 | 45 | 45 | min | |
| I_S | Supply Current | Dual, LMC6462 | 40 | 55 | 55 | 55 | μA | |
| | | $V^+ = +5\text{V}$, $V_O = V^+/2$ | | 70 | 70 | 75 | max | |
| | | Quad, LMC6464 | 80 | 110 | 110 | 110 | μA | |
| | | $V^+ = +5\text{V}$, $V_O = V^+/2$ | | 140 | 140 | 150 | max | |
| | | Dual, LMC6462 | 50 | 60 | 60 | 60 | μA | |
| | | $V^+ = +15\text{V}$, $V_O = V^+/2$ | | 70 | 70 | 75 | max | |
| I_S | Supply Current | Quad, LMC6464 | 90 | 120 | 120 | 120 | μA | |
| | | $V^+ = +15\text{V}$, $V_O = V^+/2$ | | 140 | 140 | 150 | max | |

5V AC Electrical Characteristics

Unless otherwise specified, all limits guaranteed for $T_J = 25^\circ\text{C}$, $V^+ = 5\text{V}$, $V^- = 0\text{V}$, $V_{\text{CM}} = V_O = V^+/2$ and $R_L > 1\text{M}$. **Boldface** limits apply at the temperature extremes.

| Symbol | Parameter | Conditions | Typ (Note 5) | LMC6462AI LMC6464AI Limit (Note 6) | LMC6462BI LMC6464BI Limit (Note 6) | LMC6462AM LMC6464AM Limit (Note 6) | Units |
|----------|---------------------------------|---|-----------------|---|---|---|------------------------------|
| SR | Slew Rate | (Note 9) | 28 | 15 8 | 15 8 | 15 8 | V/ms min |
| GBW | Gain-Bandwidth Product | $V^+ = 15\text{V}$ | 50 | | | | kHz |
| ϕ_m | Phase Margin | | 50 | | | | Deg |
| G_m | Gain Margin | | 15 | | | | dB |
| | Amp-to-Amp Isolation | (Note 10) | 130 | | | | dB |
| e_n | Input-Referred Voltage Noise | $f = 1\text{ kHz}$ $V_{\text{CM}} = 1\text{V}$ | 80 | | | | $\text{nV}/\sqrt{\text{Hz}}$ |
| i_n | Input-Referred Current Noise | $f = 1\text{ kHz}$ | 0.03 | | | | $\text{pA}/\sqrt{\text{Hz}}$ |

3V DC Electrical Characteristics

Unless otherwise specified, all limits guaranteed for $T_J = 25^\circ\text{C}$, $V^+ = 3\text{V}$, $V^- = 0\text{V}$, $V_{\text{CM}} = V_O = V^+/2$ and $R_L > 1\text{M}$. **Boldface** limits apply at the temperature extremes.

| Symbol | Parameter | Conditions | Typ (Note 5) | LMC6462AI LMC6464AI Limit (Note 6) | LMC6462BI LMC6464BI Limit (Note 6) | LMC6462AM LMC6464AM Limit (Note 6) | Units |
|--------------------------|---------------------------------------|--|-----------------|---|---|---|------------------------------|
| V_{OS} | Input Offset Voltage | | 0.9 | 2.0 2.7 | 3.0 3.7 | 2.0 3.0 | mV max |
| TCV_{OS} | Input Offset Voltage Average Drift | | 2.0 | | | | $\mu\text{V}/^\circ\text{C}$ |
| I_B | Input Current | (Note 13) | 0.15 | 10 | 10 | 200 | pA |
| I_{OS} | Input Offset Current | (Note 13) | 0.075 | 5 | 5 | 100 | pA |
| CMRR | Common Mode Rejection Ratio | $0\text{V} \leq V_{\text{CM}} \leq 3\text{V}$ | 74 | 60 | 60 | 60 | dB min |
| PSRR | Power Supply Rejection Ratio | $3\text{V} \leq V^+ \leq 15\text{V}$, $V^- = 0\text{V}$ | 80 | 60 | 60 | 60 | dB min |
| V_{CM} | Input Common-Mode Voltage Range | For CMRR $\geq 50\text{ dB}$ | -0.10 3.0 | 0.0 3.0 | 0.0 3.0 | 0.0 3.0 | V max V min |
| V_O | Output Swing | $R_L = 25\text{ k}\Omega$ to $V^+/2$ | 2.95 0.15 | 2.9 0.1 | 2.9 0.1 | 2.9 0.1 | V min V max |
| I_S | Supply Current | Dual, LMC6462 $V_O = V^+/2$ | 40 | 55 70 | 55 70 | 55 70 | μA |
| | | Quad, LMC6464 $V_O = V^+/2$ | 80 | 110 140 | 110 140 | 110 140 | μA max |

3V AC Electrical Characteristics

Unless otherwise specified, $V^+ = 3V$, $V^- = 0V$, $V_{CM} = V_O = V^+/2$ and $R_L > 1M$. **Boldface limits** apply at the temperature extremes.

| Symbol | Parameter | Conditions | Typ (Note 5) | LMC6462AI LMC6464AI Limit (Note 6) | LMC6462BI LMC6464BI Limit (Note 6) | LMC6462AM LMC6464AM Limit (Note 6) | Units |
|--------|------------------------|------------|-----------------|--|--|--|-------|
| SR | Slew Rate | (Note 11) | 23 | | | | V/ms |
| GBW | Gain-Bandwidth Product | | 50 | | | | kHz |

Note 1: Absolute Maximum Ratings indicate limits beyond which damage to the device may occur. Operating Ratings indicate conditions for which the device is intended to be functional, but specific performance is not guaranteed. For guaranteed specifications and the test conditions, see the Electrical Characteristics.

Note 2: Human body model, 1.5 k Ω in series with 100 pF. All pins rated per method 3015.6 of MIL-STD-883. This is a class 2 device rating.

Note 3: Applies to both single supply and split-supply operation. Continuous short circuit operation at elevated ambient temperature can result in exceeding the maximum allowed junction temperature of 150°C. Output currents in excess of ± 30 mA over long term may adversely affect reliability.

Note 4: The maximum power dissipation is a function of $T_{J(MAX)}$, θ_{JA} , and T_A . The maximum allowable power dissipation at any ambient temperature is $P_D = (T_{J(MAX)} - T_A)/\theta_{JA}$. All numbers apply for packages soldered directly into a PC board.

Note 5: Typical Values represent the most likely parametric norm.

Note 6: All limits are guaranteed by testing or statistical analysis.

Note 7: $V^+ = 15V$, $V_{CM} = 7.5V$ and R_L connected to 7.5V. For Sourcing tests, $7.5V \leq V_O \leq 11.5V$. For Sinking tests, $3.5V \leq V_O \leq 7.5V$.

Note 8: Do not short circuit output to V^+ , when V^+ is greater than 13V or reliability will be adversely affected.

Note 9: $V^+ = 15V$. Connected as Voltage Follower with 10V step input. Number specified is the slower of either the positive or negative slew rates.

Note 10: Input referred, $V^+ = 15V$ and $R_L = 100$ k Ω connected to 7.5V. Each amp excited in turn with 1 kHz to produce $V_O = 12 V_{PP}$.

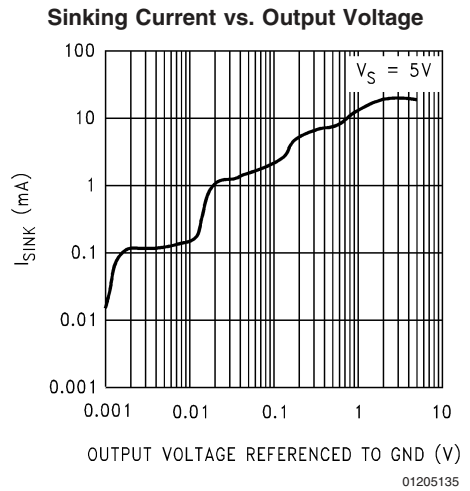
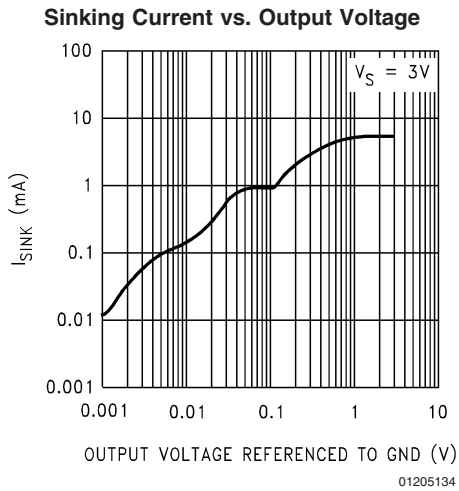
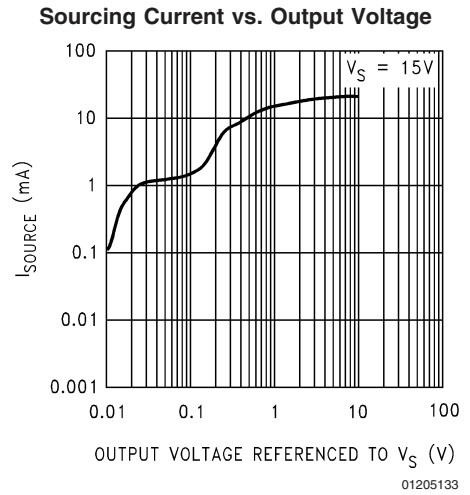
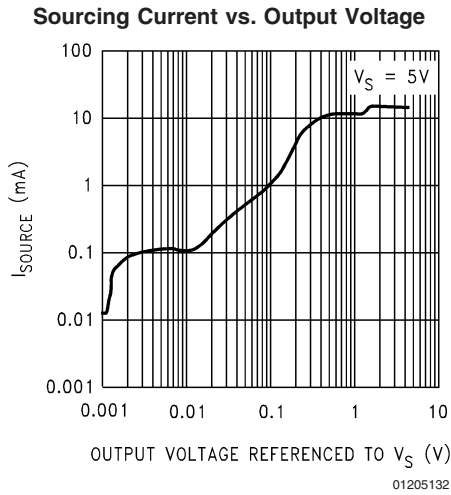
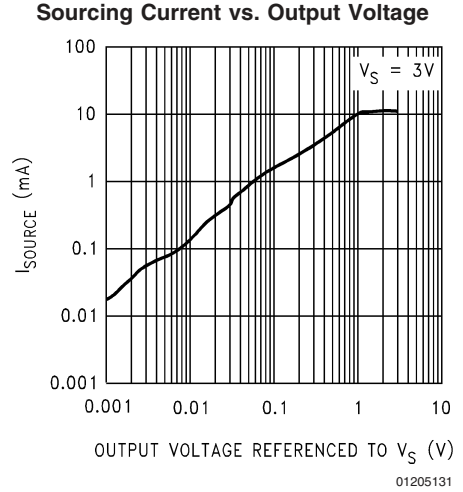
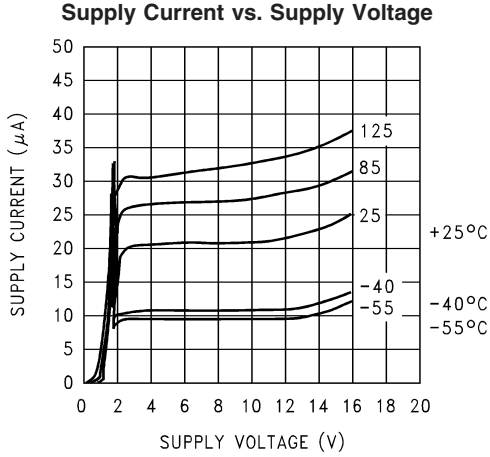
Note 11: Connected as Voltage Follower with 2V step input. Number specified is the slower of either the positive or negative slew rates.

Note 12: Limiting input pin current is only necessary for input voltages that exceed absolute maximum input voltage ratings.

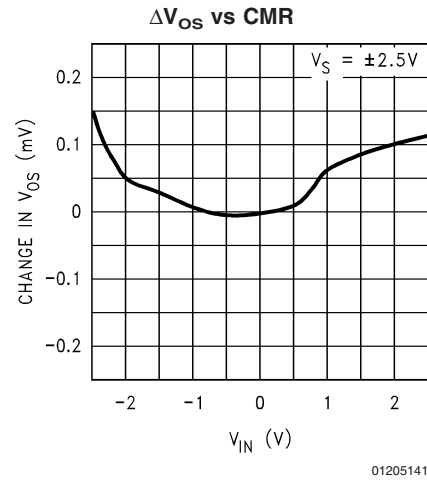
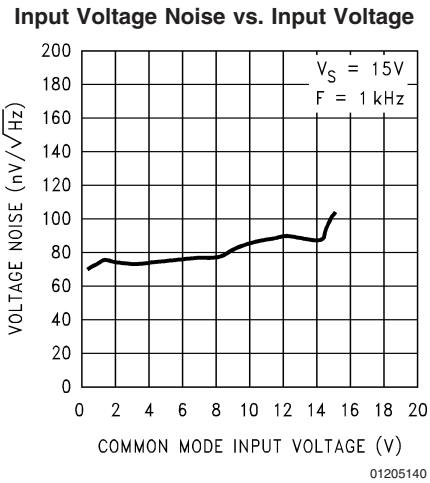
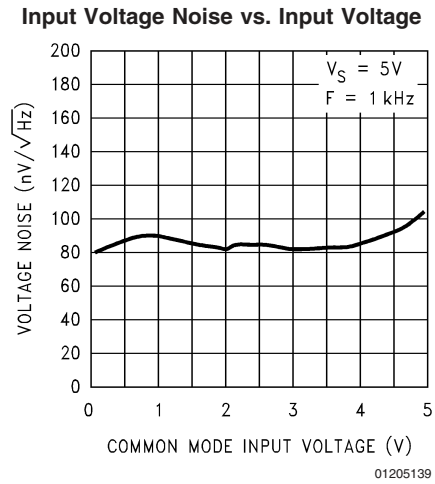
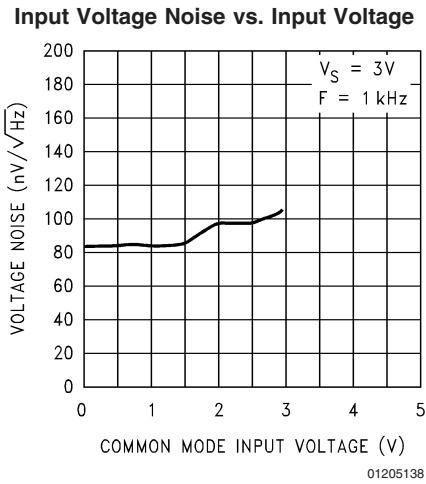
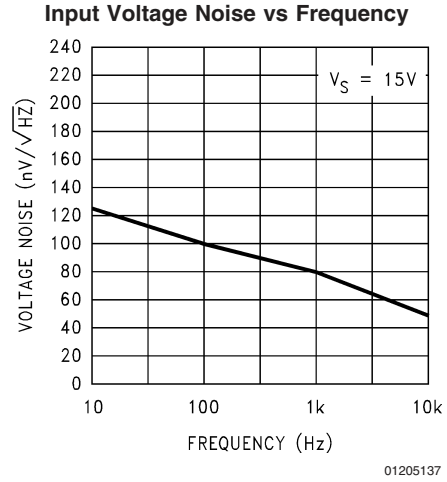
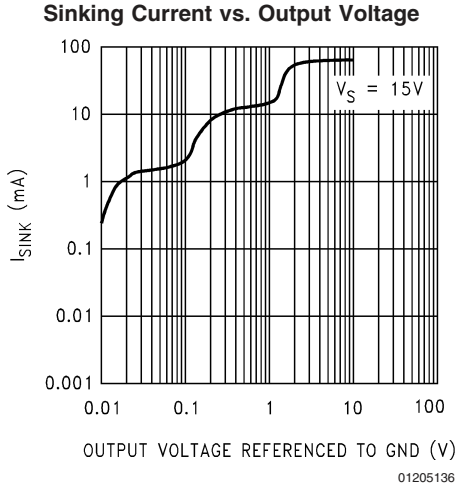
Note 13: Guaranteed limits are dictated by tester limitations and not device performance. Actual performance is reflected in the typical value.

Note 14: For guaranteed Military Temperature Range parameters see RETSMC6462/4X.

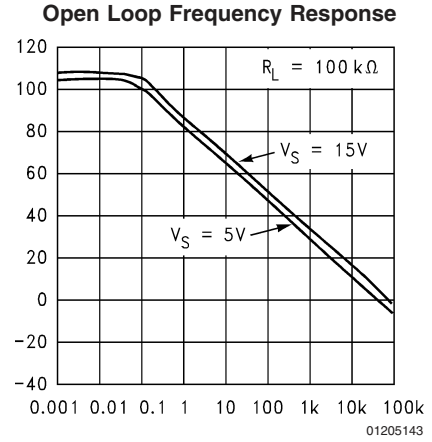
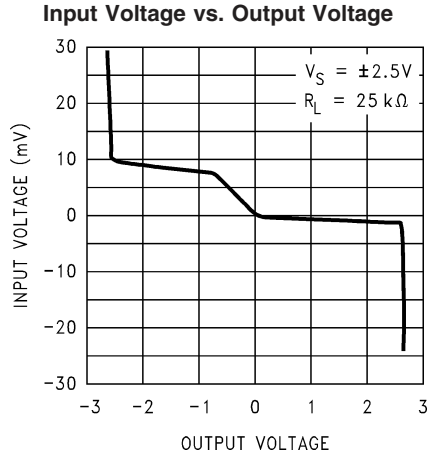
Typical Performance Characteristics $V_S = +5V$, Single Supply, $T_A = 25^\circ C$ unless otherwise specified



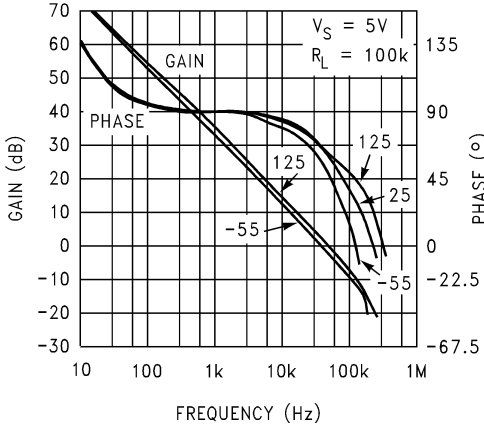
Typical Performance Characteristics $V_S = +5V$, Single Supply, $T_A = 25^\circ C$ unless otherwise specified (Continued)



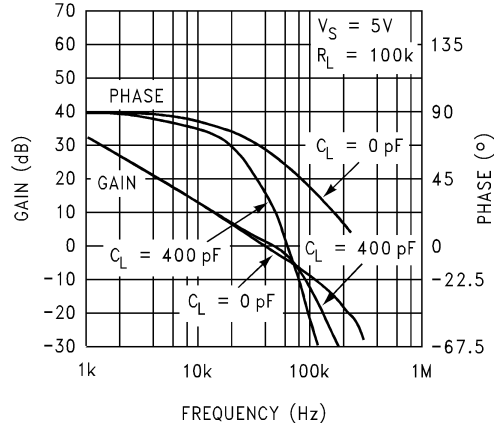
Typical Performance Characteristics $V_S = +5V$, Single Supply, $T_A = 25^\circ C$ unless otherwise specified (Continued)



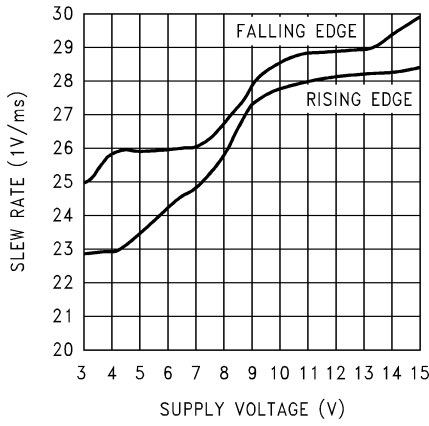
Open Loop Frequency Response vs. Temperature



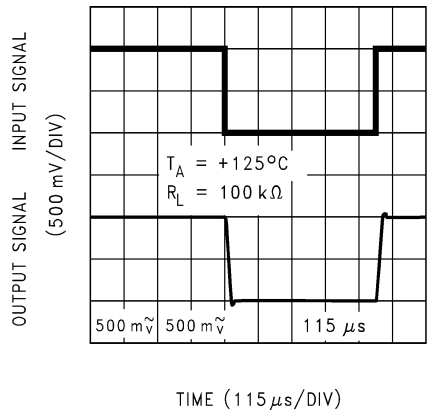
Gain and Phase vs. Capacitive Load



Slew Rate vs. Supply Voltage

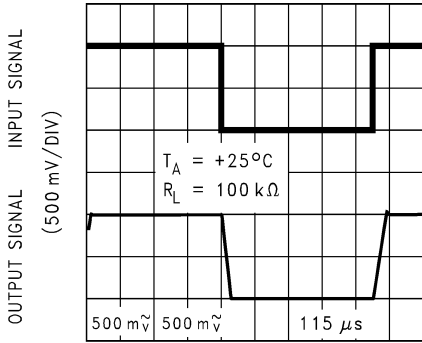


Non-Inverting Large Signal Pulse Response



Typical Performance Characteristics $V_S = +5V$, Single Supply, $T_A = 25^\circ C$ unless otherwise specified (Continued)

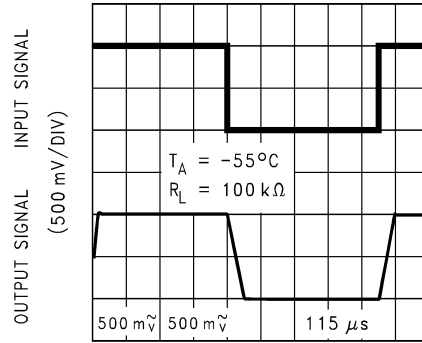
Non-Inverting Large Signal Pulse Response



TIME (115 μs /DIV)

01205148

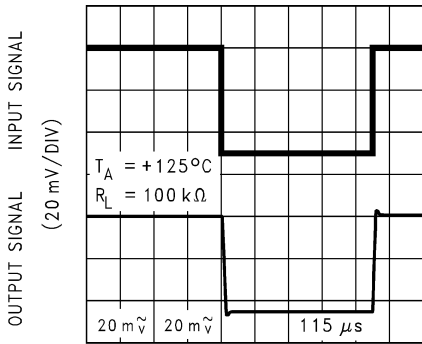
Non-Inverting Large Signal Pulse Response



TIME (115 μs /DIV)

01205149

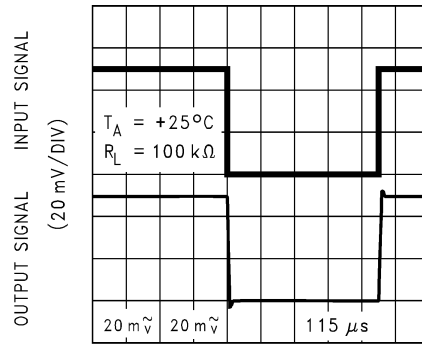
Non-Inverting Small Signal Pulse Response



TIME (115 μs /DIV)

01205150

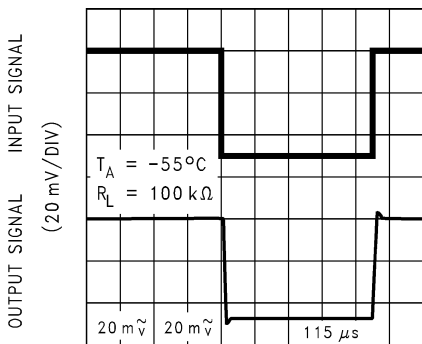
Non-Inverting Small Signal Pulse Response



TIME (115 μs /DIV)

01205151

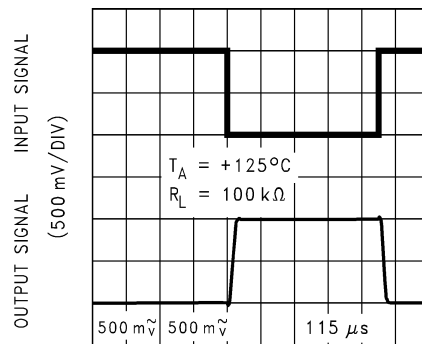
Non-Inverting Small Signal Pulse Response



TIME (115 μs /DIV)

01205152

Inverting Large Signal Pulse Response

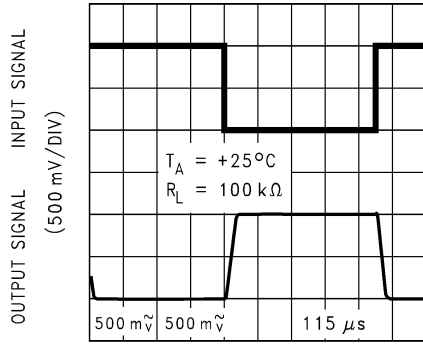


TIME (115 μs /DIV)

01205153

Typical Performance Characteristics $V_S = +5V$, Single Supply, $T_A = 25^\circ C$ unless otherwise specified (Continued)

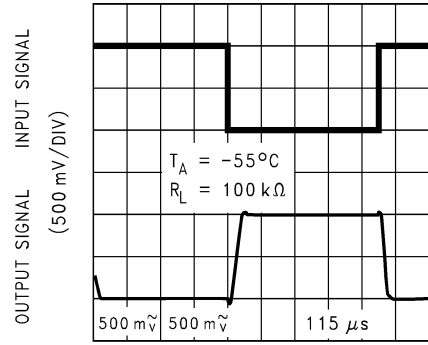
Inverting Large Signal Pulse Response



TIME (115 μs /DIV)

01205154

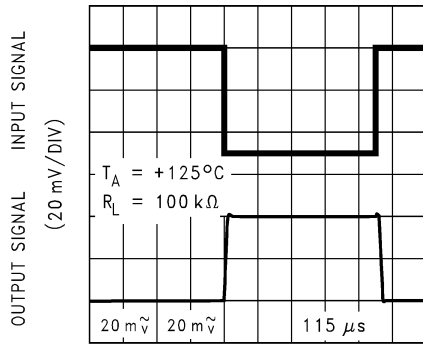
Inverting Large Signal Pulse Response



TIME (115 μs /DIV)

01205155

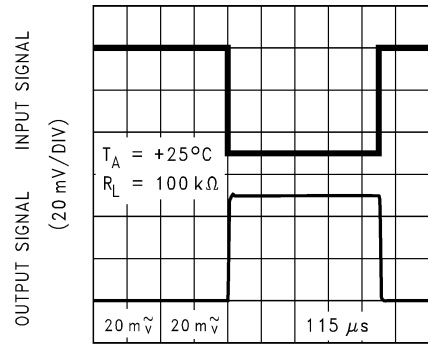
Inverting Small Signal Pulse Response



TIME (115 μs /DIV)

01205156

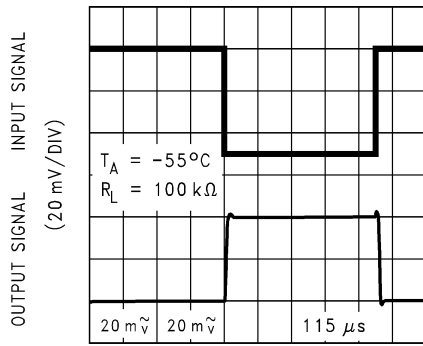
Inverting Small Signal Pulse Response



TIME (115 μs /DIV)

01205157

Inverting Small Signal Pulse Response



TIME (115 μs /DIV)

01205158

Application Information

1.0 INPUT COMMON-MODE VOLTAGE RANGE

The LMC6462/4 has a rail-to-rail input common-mode voltage range. *Figure 1* shows an input voltage exceeding both supplies with no resulting phase inversion on the output.

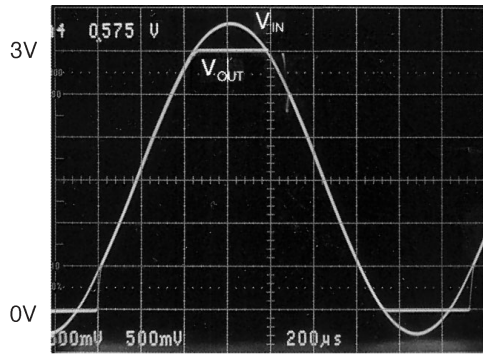


FIGURE 1. An Input Voltage Signal Exceeds the LMC6462/4 Power Supply Voltage with No Output Phase Inversion

The absolute maximum input voltage at $V^+ = 3V$ is 300 mV beyond either supply rail at room temperature. Voltages greatly exceeding this absolute maximum rating, as in *Figure 2*, can cause excessive current to flow in or out of the input pins, possibly affecting reliability. The input current can be externally limited to ± 5 mA, with an input resistor, as shown in *Figure 3*.

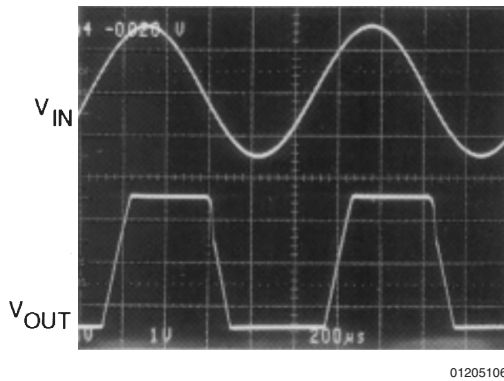


FIGURE 2. A $\pm 7.5V$ Input Signal Greatly Exceeds the 3V Supply in *Figure 3* Causing No Phase Inversion Due to R_I

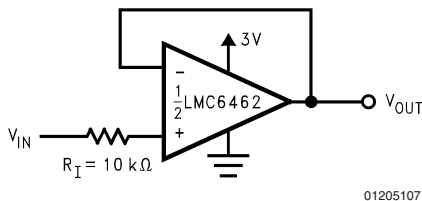


FIGURE 3. Input Current Protection for Voltages Exceeding the Supply Voltage

2.0 RAIL-TO-RAIL OUTPUT

The approximated output resistance of the LMC6462/4 is 180 Ω sourcing, and 130 Ω sinking at $V_S = 3V$, and 110 Ω sourcing and 83 Ω sinking at $V_S = 5V$. The maximum output swing can be estimated as a function of load using the calculated output resistance.

3.0 CAPACITIVE LOAD TOLERANCE

The LMC6462/4 can typically drive a 200 pF load with $V_S = 5V$ at unity gain without oscillating. The unity gain follower is the most sensitive configuration to capacitive load. Direct capacitive loading reduces the phase margin of op-amps. The combination of the op-amp's output impedance and the capacitive load induces phase lag. This results in either an underdamped pulse response or oscillation.

Capacitive load compensation can be accomplished using resistive isolation as shown in *Figure 4*. If there is a resistive component of the load in parallel to the capacitive component, the isolation resistor and the resistive load create a voltage divider at the output. This introduces a DC error at the output.

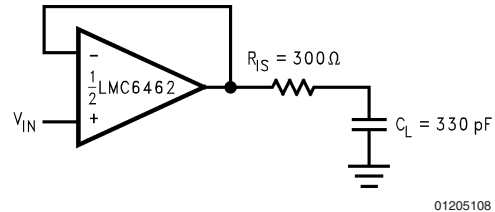


FIGURE 4. Resistive Isolation of a 300 pF Capacitive Load

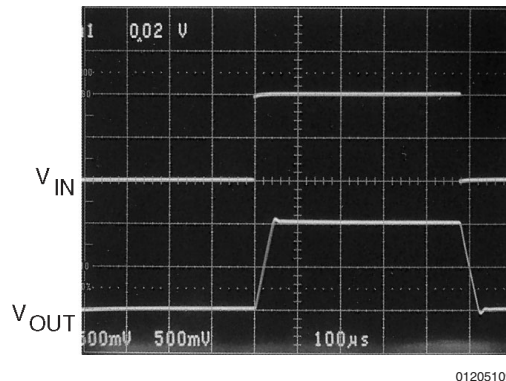
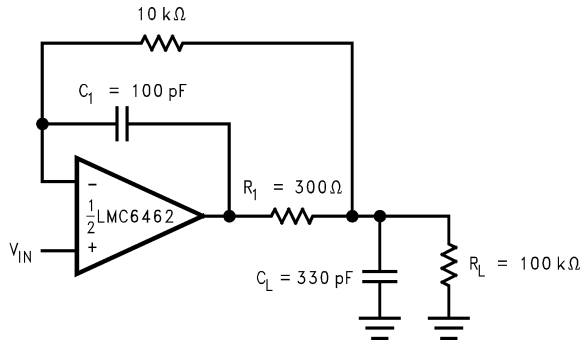


FIGURE 5. Pulse Response of the LMC6462 Circuit Shown in *Figure 4*

Figure 5 displays the pulse response of the LMC6462/4 circuit in *Figure 4*.

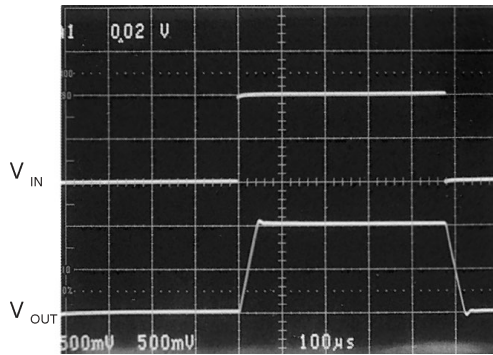
Another circuit, shown in *Figure 6*, is also used to indirectly drive capacitive loads. This circuit is an improvement to the circuit shown in *Figure 4* because it provides DC accuracy as well as AC stability. R_1 and C_1 serve to counteract the loss of phase margin by feeding the high frequency component of the output signal back to the amplifiers inverting input, thereby preserving phase margin in the overall feedback loop. The values of R_1 and C_1 should be experimentally determined by the system designer for the desired pulse response. Increased capacitive drive is possible by increasing the value of the capacitor in the feedback loop.

Application Information (Continued)



01205110

FIGURE 6. LMC6462 Non-Inverting Amplifier, Compensated to Handle a 300 pF Capacitive and 100 kΩ Resistive Load



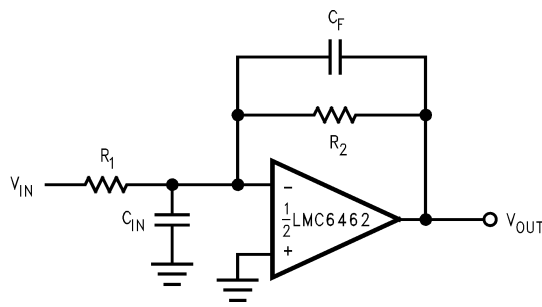
01205111

FIGURE 7. Pulse Response of LMC6462 Circuit in Figure 6

The pulse response of the circuit shown in *Figure 6* is shown in *Figure 7*.

4.0 COMPENSATING FOR INPUT CAPACITANCE

It is quite common to use large values of feedback resistance with amplifiers that have ultra-low input current, like the LMC6462/4. Large feedback resistors can react with small values of input capacitance due to transducers, photodiodes, and circuits board parasitics to reduce phase margins.



01205112

FIGURE 8. Canceling the Effect of Input Capacitance

The effect of input capacitance can be compensated for by adding a feedback capacitor. The feedback capacitor (as in *Figure 8*), C_F , is first estimated by:

$$\frac{1}{2\pi R_1 C_{IN}} \geq \frac{1}{2\pi R_2 C_F}$$

or

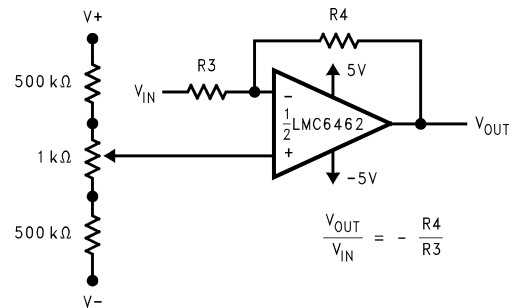
$$R_1 C_{IN} \leq R_2 C_F$$

which typically provides significant overcompensation.

Printed circuit board stray capacitance may be larger or smaller than that of a breadboard, so the actual optimum value for C_F may be different. The values of C_F should be checked on the actual circuit. (Refer to the LMC660 quad CMOS amplifier data sheet for a more detailed discussion.)

5.0 OFFSET VOLTAGE ADJUSTMENT

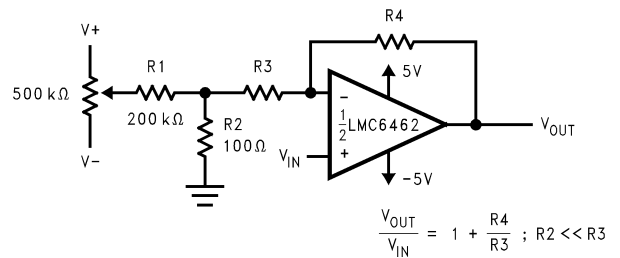
Offset voltage adjustment circuits are illustrated in *Figure 9* and *Figure 10*. Large value resistances and potentiometers are used to reduce power consumption while providing typically ± 2.5 mV of adjustment range, referred to the input, for both configurations with $V_S = \pm 5$ V.



$$\frac{V_{OUT}}{V_{IN}} = -\frac{R_4}{R_3}$$

01205113

FIGURE 9. Inverting Configuration Offset Voltage Adjustment



$$\frac{V_{OUT}}{V_{IN}} = 1 + \frac{R_4}{R_3}; R_2 \ll R_3$$

01205114

FIGURE 10. Non-Inverting Configuration Offset Voltage Adjustment

6.0 SPICE MACROMODEL

A Spice macromodel is available for the LMC6462/4. This model includes a simulation of:

- Input common-mode voltage range
- Frequency and transient response
- GBW dependence on loading conditions
- Quiescent and dynamic supply current
- Output swing dependence on loading conditions

Application Information (Continued)

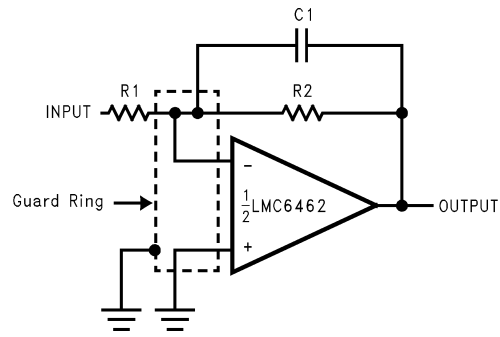
and many more characteristics as listed on the macromodel disk.

Contact the National Semiconductor Customer Response Center to obtain an operational amplifier Spice model library disk.

7.0 PRINTED-CIRCUIT-BOARD LAYOUT FOR HIGH-IMPEDANCE WORK

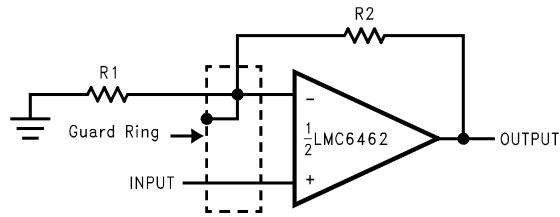
It is generally recognized that any circuit which must operate with less than 1000 pA of leakage current requires special layout of the PC board. When one wishes to take advantage of the ultra-low input current of the LMC6462/4, typically 150 fA, it is essential to have an excellent layout. Fortunately, the techniques of obtaining low leakages are quite simple. First, the user must not ignore the surface leakage of the PC board, even though it may sometimes appear acceptably low, because under conditions of high humidity or dust or contamination, the surface leakage will be appreciable.

To minimize the effect of any surface leakage, lay out a ring of foil completely surrounding the LMC6462's inputs and the terminals of capacitors, diodes, conductors, resistors, relay terminals, etc. connected to the op-amp's inputs, as in *Figure 11*. To have a significant effect, guard rings should be placed in both the top and bottom of the PC board. This PC foil must then be connected to a voltage which is at the same voltage as the amplifier inputs, since no leakage current can flow between two points at the same potential. For example, a PC board trace-to-pad resistance of $10^{12}\Omega$, which is normally considered a very large resistance, could leak 5 pA if the trace were a 5V bus adjacent to the pad of the input. This would cause a 30 times degradation from the LMC6462/4's actual performance. However, if a guard ring is held within 5 mV of the inputs, then even a resistance of $10^{11}\Omega$ would cause only 0.05 pA of leakage current. See *Figure 12* for typical connections of guard rings for standard op-amp configurations.



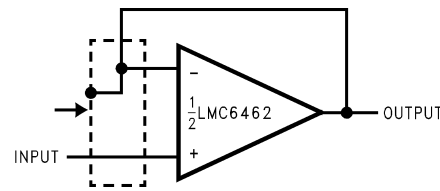
Inverting Amplifier

01205116



Non-Inverting Amplifier

01205117

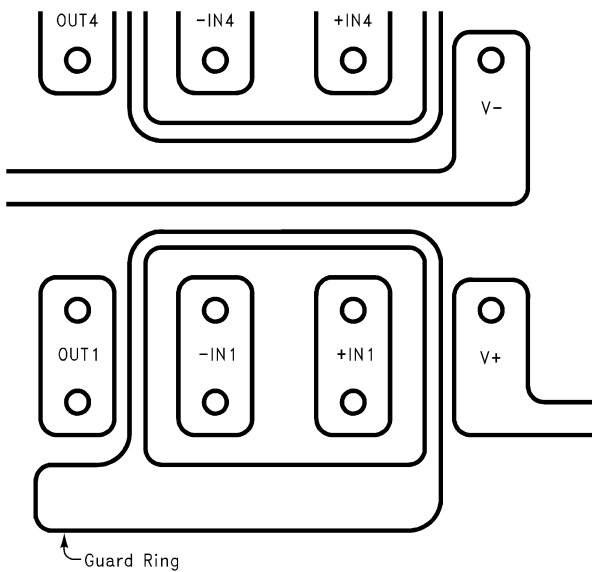


Follower

01205118

FIGURE 12. Typical Connections of Guard Rings

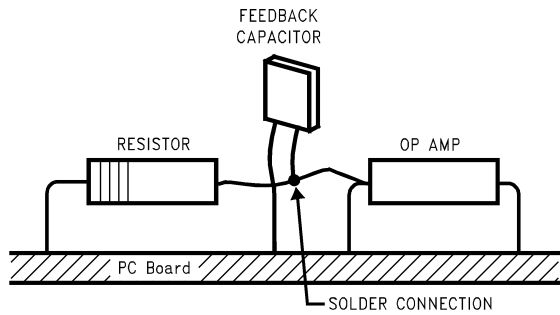
The designer should be aware that when it is inappropriate to lay out a PC board for the sake of just a few circuits, there is another technique which is even better than a guard ring on a PC board: Don't insert the amplifier's input pin into the board at all, but bend it up in the air and use only air as an insulator. Air is an excellent insulator. In this case you may have to forego some of the advantages of PC board construction, but the advantages are sometimes well worth the effort of using point-to-point up-in-the-air wiring. See *Figure 13*.



01205115

FIGURE 11. Example of Guard Ring in P.C. Board Layout

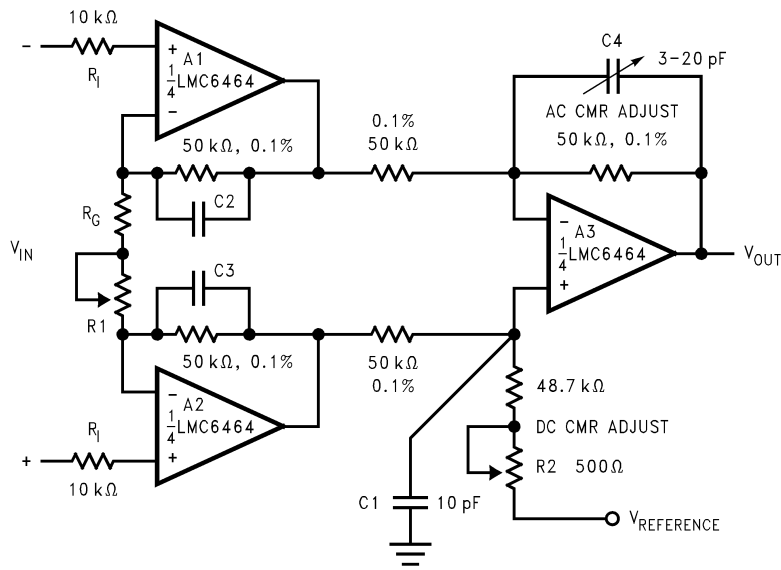
Application Information (Continued)



01205119

(Input pins are lifted out of PC board and soldered directly to components. All other pins connected to PC board.)

FIGURE 13. Air Wiring



01205120

FIGURE 14. Low Power Three Op-Amp Instrumentation Amplifier

A two op-amp instrumentation amplifier designed for a gain of 100 is shown in Figure 15. Low sensitivity trimming is made for offset voltage, CMRR and gain. Low cost and low power consumption are the main advantages of this two op-amp circuit.

Higher frequency and larger common-mode range applications are best facilitated by a three op-amp instrumentation amplifier.

8.0 INSTRUMENTATION CIRCUITS

The LMC6464 has the high input impedance, large common-mode range and high CMRR needed for designing instrumentation circuits. Instrumentation circuits designed with the LMC6464 can reject a larger range of common-mode signals than most in-amps. This makes instrumentation circuits designed with the LMC6464 an excellent choice for noisy or industrial environments. Other applications that benefit from these features include analytic medical instruments, magnetic field detectors, gas detectors, and silicon-based transducers.

A small valued potentiometer is used in series with R_G to set the differential gain of the three op-amp instrumentation circuit in Figure 14. This combination is used instead of one large valued potentiometer to increase gain trim accuracy and reduce error due to vibration.

Application Information (Continued)

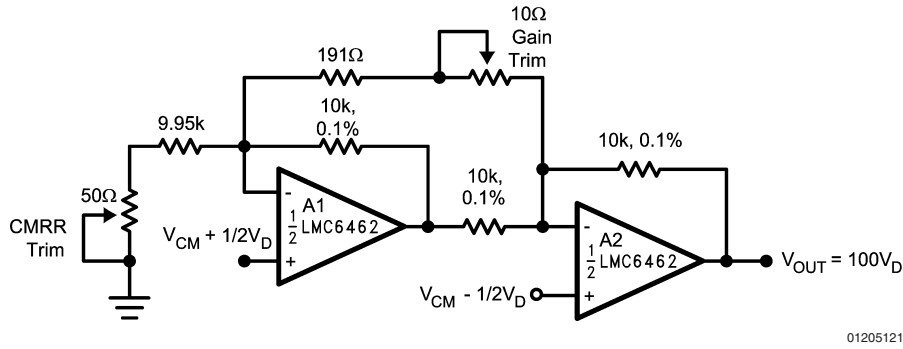


FIGURE 15. Low-Power Two-Op-Amp Instrumentation Amplifier

01205121

Typical Single-Supply Applications

HALF-WAVE AND FULL-WAVE RECTIFIERS

TRANSDUCER INTERFACE CIRCUITS

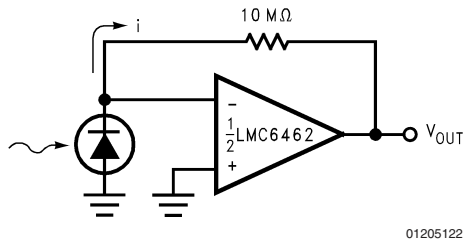


FIGURE 16. Photo Detector Circuit

01205122

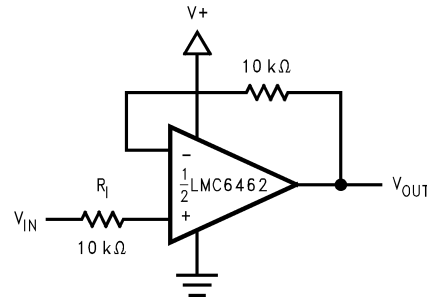


FIGURE 18. Half-Wave Rectifier with Input Current Protection (R_i)

01205124

Photocells can be used in portable light measuring instruments. The LMC6462, which can be operated off a battery, is an excellent choice for this circuit because of its very low input current and offset voltage.

LMC6462 AS A COMPARATOR

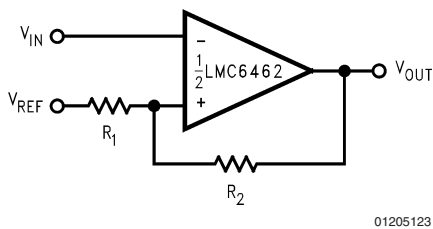


FIGURE 17. Comparator with Hysteresis

01205123

Figure 17 shows the application of the LMC6462 as a comparator. The hysteresis is determined by the ratio of the two resistors. The LMC6462 can thus be used as a micropower comparator, in applications where the quiescent current is an important parameter.

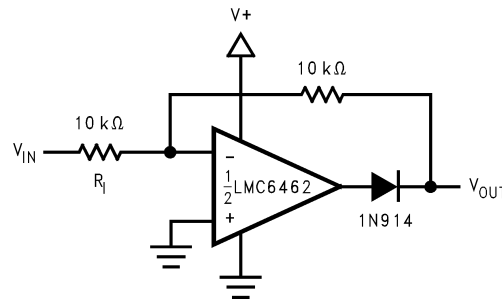


FIGURE 19. Full-Wave Rectifier with Input Current Protection (R_i)

01205125

In Figure 18 Figure 19, R_i limits current into the amplifier since excess current can be caused by the input voltage exceeding the supply voltage.

Typical Single-Supply Applications

(Continued)

PRECISION CURRENT SOURCE

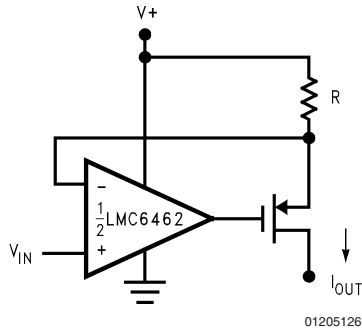


FIGURE 20. Precision Current Source

The output current I_{OUT} is given by:

$$I_{OUT} = \left(\frac{V^+ - V_{IN}}{R} \right)$$

OSCILLATORS

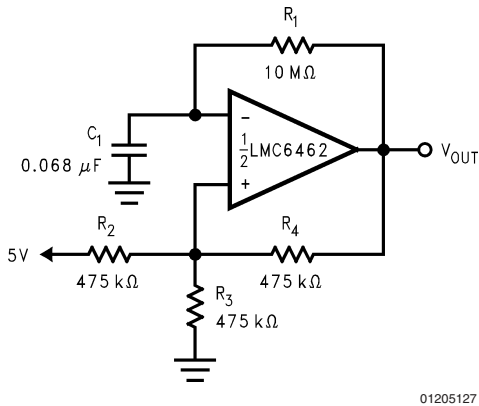


FIGURE 21. 1 Hz Square-Wave Oscillator

For single supply 5V operation, the output of the circuit will swing from 0V to 5V. The voltage divider set up R_2 , R_3 and R_4 will cause the non-inverting input of the LMC6462 to move from 1.67V ($\frac{1}{3}$ of 5V) to 3.33V ($\frac{2}{3}$ of 5V). This voltage behaves as the threshold voltage.

R_1 and C_1 determine the time constant of the circuit. The frequency of oscillation, f_{OSC} is

$$\left(\frac{1}{2\Delta t} \right)$$

where Δt is the time the amplifier input takes to move from 1.67V to 3.33V. The calculations are shown below.

$$1.67 = 5 \left(1 - e^{-\frac{t}{\tau}} \right)$$

where $\tau = RC = 0.68$ seconds

$\rightarrow t_1 = 0.27$ seconds.

and

$$3.33 = 5 \left(1 - e^{-\frac{t_2}{\tau}} \right)$$

$\rightarrow t_2 = 0.75$ seconds

Then,

$$f_{OSC} = \left(\frac{1}{2\Delta t} \right)$$

$$= \frac{1}{2(0.75 - 0.27)}$$

= 1 Hz

LOW FREQUENCY NULL

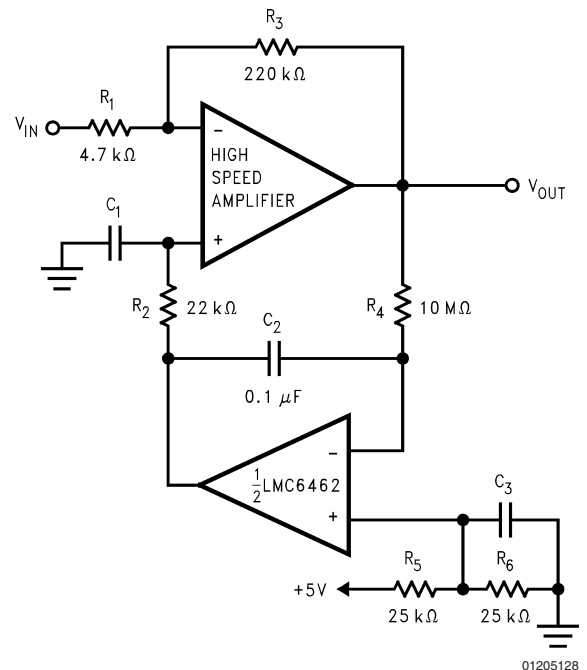


FIGURE 22. High Gain Amplifier with Low Frequency Null

Output offset voltage is the error introduced in the output voltage due to the inherent input offset voltage V_{OS} , of an amplifier.

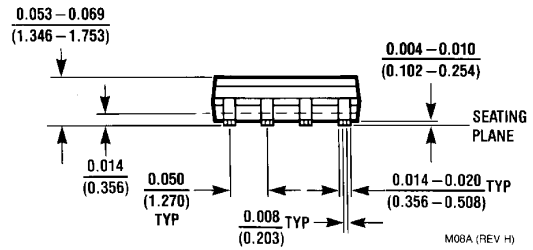
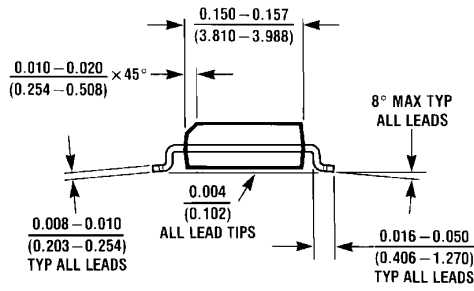
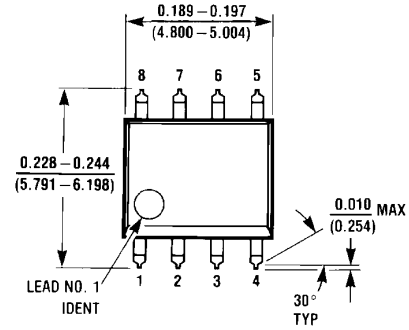
Output Offset Voltage = (Input Offset Voltage) (Gain)

In the above configuration, the resistors R_5 and R_6 determine the nominal voltage around which the input signal, V_{IN} should be symmetrical. The high frequency component of the input signal V_{IN} will be unaffected while the low frequency component will be nulled since the DC level of the output will be the input offset voltage of the LMC6462 plus the bias voltage. This implies that the output offset voltage due to the top amplifier will be eliminated.

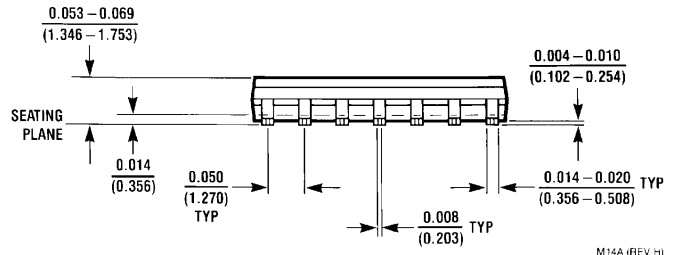
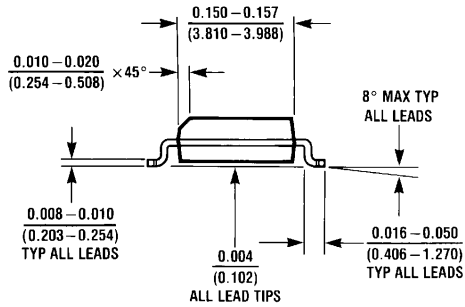
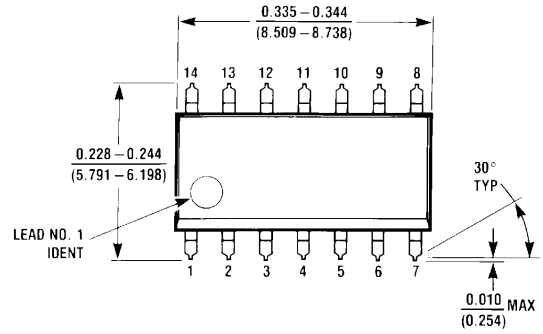
Ordering Information

| Package | Temperature Range | | Transport Media | NSC Drawing |
|---------------------|-----------------------------|------------------------------|--------------------|-------------|
| | Military -55°C to +125°C | Industrial -40°C to +85°C | | |
| 8-Pin Molded DIP | | LMC6462AIN | 40 Units/Rail | N08E |
| | | LMC6462BIN | | |
| 8-Pin SO-8 | | LMC6462AIM | 95 Units/Rail | M08A |
| | | LMC6462BIM | 2.5k Tape and Reel | |
| | | LMC6462AIMX | | |
| | | LMC6462BIMX | | |
| 14-Pin Molded DIP | | LMC6464AIN | 25 Units/Rail | N14A |
| | | LMC6464BIN | | |
| 14-Pin SO-14 | | LMC6464AIM | 55 Units/Rail | M14A |
| | | LMC6464BIM | 2.5k Tape and Reel | |
| | | LMC6464AIMX | | |
| | | LMC6464BIMX | | |
| 8-Pin Ceramic DIP | LMC6462AMJ-QML | | Rails | J08A |
| 14-Pin Ceramic DIP | LMC6464AMJ-QML | | Rails | J14A |
| 14-Pin Ceramic SOIC | LMC6464AMWG-QML | | Trays | WG14A |

Physical Dimensions inches (millimeters)
 unless otherwise noted

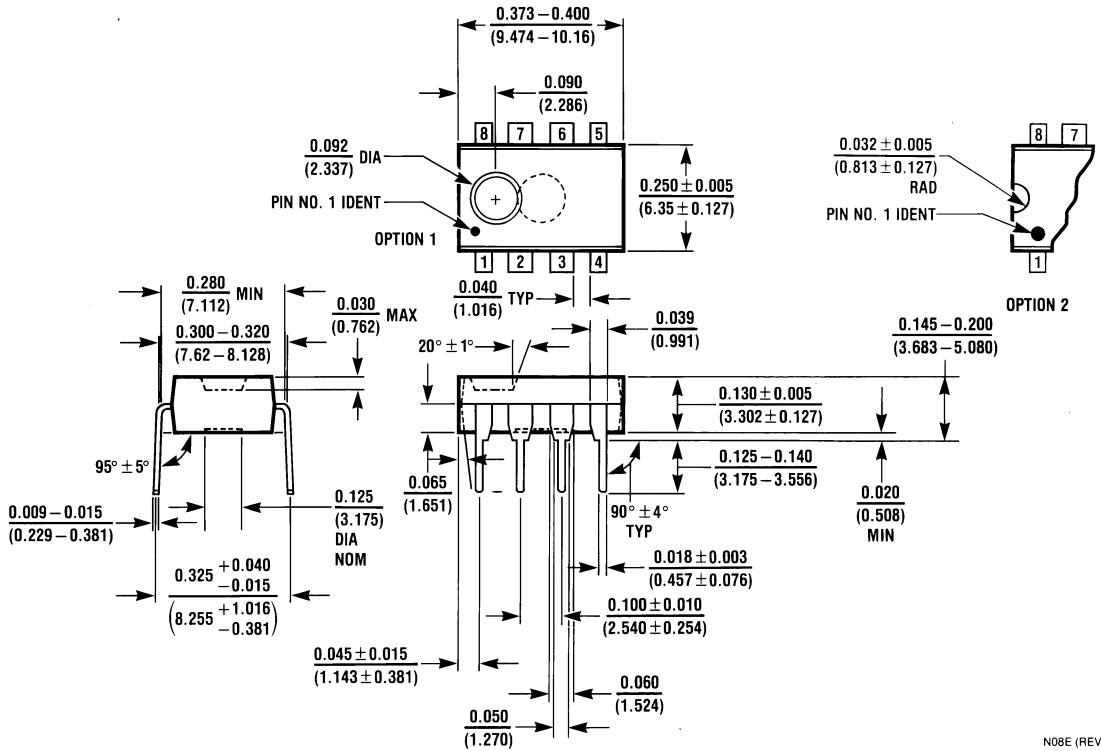


8-Pin Small Outline Package
NS Package Number M08A

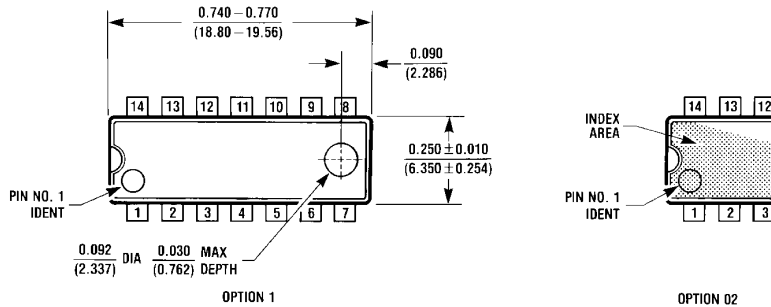


14-Pin Small Outline Package
NS Package Number M14A

Physical Dimensions inches (millimeters) unless otherwise noted (Continued)



8-Pin Molded Dual-In-Line Package
NS Package Number N08E



14-Pin Molded Dual-In-Line Package
NS Package Number N14A

Notes

LIFE SUPPORT POLICY

NATIONAL'S PRODUCTS ARE NOT AUTHORIZED FOR USE AS CRITICAL COMPONENTS IN LIFE SUPPORT DEVICES OR SYSTEMS WITHOUT THE EXPRESS WRITTEN APPROVAL OF THE PRESIDENT AND GENERAL COUNSEL OF NATIONAL SEMICONDUCTOR CORPORATION. As used herein:

1. Life support devices or systems are devices or systems which, (a) are intended for surgical implant into the body, or (b) support or sustain life, and whose failure to perform when properly used in accordance with instructions for use provided in the labeling, can be reasonably expected to result in a significant injury to the user.
2. A critical component is any component of a life support device or system whose failure to perform can be reasonably expected to cause the failure of the life support device or system, or to affect its safety or effectiveness.

BANNED SUBSTANCE COMPLIANCE

National Semiconductor certifies that the products and packing materials meet the provisions of the Customer Products Stewardship Specification (CSP-9-111C2) and the Banned Substances and Materials of Interest Specification (CSP-9-111S2) and contain no "Banned Substances" as defined in CSP-9-111S2.



National Semiconductor
Americas Customer
Support Center
Email: new.feedback@nsc.com
Tel: 1-800-272-9959

www.national.com

National Semiconductor
Europe Customer Support Center
Fax: +49 (0) 180-530 85 86
Email: europa.support@nsc.com
Deutsch Tel: +49 (0) 69 9508 6208
English Tel: +44 (0) 870 24 0 2171
Français Tel: +33 (0) 1 41 91 8790

National Semiconductor
Asia Pacific Customer
Support Center
Email: ap.support@nsc.com

National Semiconductor
Japan Customer Support Center
Fax: 81-3-5639-7507
Email: jpn.feedback@nsc.com
Tel: 81-3-5639-7560

IMPORTANT NOTICE

Texas Instruments Incorporated and its subsidiaries (TI) reserve the right to make corrections, modifications, enhancements, improvements, and other changes to its products and services at any time and to discontinue any product or service without notice. Customers should obtain the latest relevant information before placing orders and should verify that such information is current and complete. All products are sold subject to TI's terms and conditions of sale supplied at the time of order acknowledgment.

TI warrants performance of its hardware products to the specifications applicable at the time of sale in accordance with TI's standard warranty. Testing and other quality control techniques are used to the extent TI deems necessary to support this warranty. Except where mandated by government requirements, testing of all parameters of each product is not necessarily performed.

TI assumes no liability for applications assistance or customer product design. Customers are responsible for their products and applications using TI components. To minimize the risks associated with customer products and applications, customers should provide adequate design and operating safeguards.

TI does not warrant or represent that any license, either express or implied, is granted under any TI patent right, copyright, mask work right, or other TI intellectual property right relating to any combination, machine, or process in which TI products or services are used. Information published by TI regarding third-party products or services does not constitute a license from TI to use such products or services or a warranty or endorsement thereof. Use of such information may require a license from a third party under the patents or other intellectual property of the third party, or a license from TI under the patents or other intellectual property of TI.

Reproduction of TI information in TI data books or data sheets is permissible only if reproduction is without alteration and is accompanied by all associated warranties, conditions, limitations, and notices. Reproduction of this information with alteration is an unfair and deceptive business practice. TI is not responsible or liable for such altered documentation. Information of third parties may be subject to additional restrictions.

Resale of TI products or services with statements different from or beyond the parameters stated by TI for that product or service voids all express and any implied warranties for the associated TI product or service and is an unfair and deceptive business practice. TI is not responsible or liable for any such statements.

TI products are not authorized for use in safety-critical applications (such as life support) where a failure of the TI product would reasonably be expected to cause severe personal injury or death, unless officers of the parties have executed an agreement specifically governing such use. Buyers represent that they have all necessary expertise in the safety and regulatory ramifications of their applications, and acknowledge and agree that they are solely responsible for all legal, regulatory and safety-related requirements concerning their products and any use of TI products in such safety-critical applications, notwithstanding any applications-related information or support that may be provided by TI. Further, Buyers must fully indemnify TI and its representatives against any damages arising out of the use of TI products in such safety-critical applications.

TI products are neither designed nor intended for use in military/aerospace applications or environments unless the TI products are specifically designated by TI as military-grade or "enhanced plastic." Only products designated by TI as military-grade meet military specifications. Buyers acknowledge and agree that any such use of TI products which TI has not designated as military-grade is solely at the Buyer's risk, and that they are solely responsible for compliance with all legal and regulatory requirements in connection with such use.

TI products are neither designed nor intended for use in automotive applications or environments unless the specific TI products are designated by TI as compliant with ISO/TS 16949 requirements. Buyers acknowledge and agree that, if they use any non-designated products in automotive applications, TI will not be responsible for any failure to meet such requirements.

Following are URLs where you can obtain information on other Texas Instruments products and application solutions:

Products

| | |
|------------------------|--|
| Audio | www.ti.com/audio |
| Amplifiers | amplifier.ti.com |
| Data Converters | dataconverter.ti.com |
| DLP® Products | www.dlp.com |
| DSP | dsp.ti.com |
| Clocks and Timers | www.ti.com/clocks |
| Interface | interface.ti.com |
| Logic | logic.ti.com |
| Power Mgmt | power.ti.com |
| Microcontrollers | microcontroller.ti.com |
| RFID | www.ti-rfid.com |
| OMAP Mobile Processors | www.ti.com/omap |
| Wireless Connectivity | www.ti.com/wirelessconnectivity |

Applications

| | |
|-------------------------------|--|
| Communications and Telecom | www.ti.com/communications |
| Computers and Peripherals | www.ti.com/computers |
| Consumer Electronics | www.ti.com/consumer-apps |
| Energy and Lighting | www.ti.com/energy |
| Industrial | www.ti.com/industrial |
| Medical | www.ti.com/medical |
| Security | www.ti.com/security |
| Space, Avionics and Defense | www.ti.com/space-avionics-defense |
| Transportation and Automotive | www.ti.com/automotive |
| Video and Imaging | www.ti.com/video |

TI E2E Community Home Page

e2e.ti.com

Mailing Address: Texas Instruments, Post Office Box 655303, Dallas, Texas 75265
Copyright © 2011, Texas Instruments Incorporated







Looking for pricing, stock, or lifecycle information?

Click below to explore more details on WIN SOURCE:

 [View LMC6464AIN](#) on WIN SOURCE

 [Texas Instruments](#) Information

Optimize Your Supply Chain with WIN SOURCE Solutions

-  Global Sourcing Solution
-  Obsolete Management
-  Cost Control Management
-  Shortage Management
-  Alternative Solution
-  Excess Inventory Management