



**THE DATASHEET OF
PS399CSE**



Precision 8-Ch, Diff. 4-Ch, 17V Analog Multiplexers

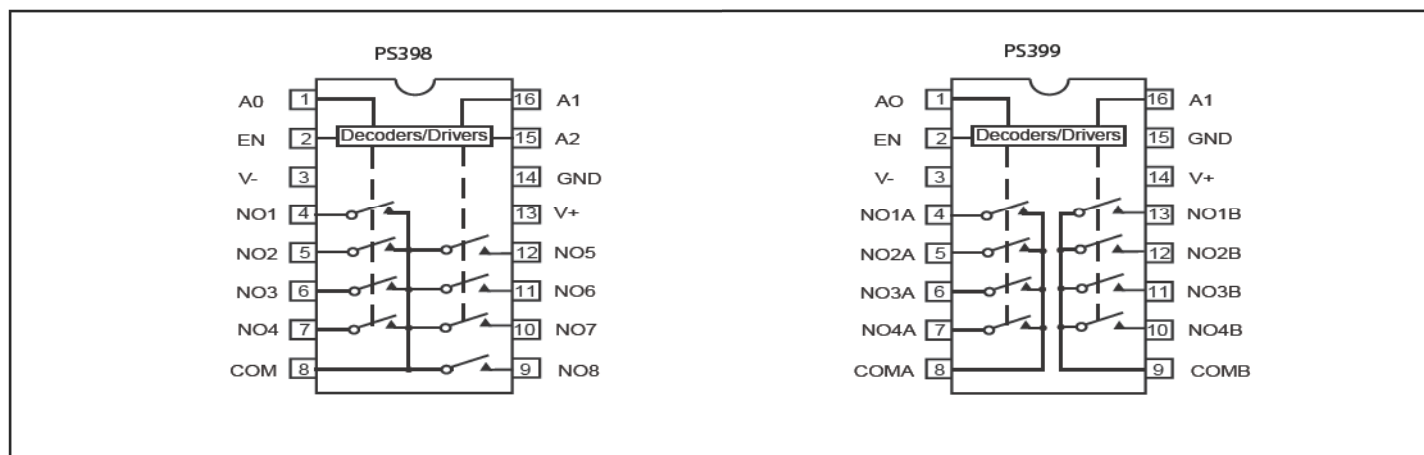
Features

- Low On-Resistance (60-ohm typ.) Minimizes Distortion and Error Voltages
- Low Glitching Reduces Step Errors and Improves Settling Times. Charge Injection: <5pC
- Split-Supply Operation (+3V to +8V)
- Improved Second Sources for MAX398/MAX399
- On-Resistance Matching Between Channels: <60Ohm
- On-Resistance Flatness: <11-ohm
- Low Off-Channel Leakage, $I_{NO(OFF)} < 1nA @ +85oC$, $I_{COM(ON)} < 2.5nA @ +85oC$
- TTL/CMOS Logic Compatible
- Fast Switching Speed, $t_{TRANS} < 250ns$
- Break-Before-Make action eliminates momentary crosstalk
- Rail-to-Rail Analog Signal Range
- Low Power Consumption, <300μW
- Packaging (Pb-free & Green):
 - 16-pin SOIC (W)

Applications

- Data Acquisition Systems
- Audio Switching and Routing
- Test Equipment
- PBX, PABX
- Telecommunication Systems
- Battery-Powered Systems

Block Diagrams and Pin Configurations



Description

The PS398/PS399 are improved high precision analog multiplexers. The PS398, an 8-channel single-ended mux, selects one of eight inputs to a common output as determined by a 3-bit address A0-A2. An EN (enable) pin when low disables all switches, useful when stacking several devices. The PS399 is a 4-channel differential multiplexer. It selects one of four differential inputs to a common differential output as determined by a 2-bit address A0, A1. An EN pin may be driven low to disable all switches.

These multiplexers operate with dual supplies from +3V to +8V. Single-supply operation is possible from +3V to +15V. With +5V power supplies, the PS398/PS399 guarantee <100-ohm on-resistance. On-Resistance matching between channels is within 6-ohm. On-Resistance flatness is less than 11-ohm over the specified signal range.

Each switch conducts current equally well in either direction when on. In the off state each switch blocks voltages up to the powersupply rails.

Both devices guarantee low leakage currents (<2.5nA at +85oC) and fast switching speeds ($t_{TRANS} < 250ns$). Break-before-make switching action protects against momentary crosstalk between channels.

Truth Tables

| PS398 | | | | |
|-------|----|----|----|-----------|
| A2 | A1 | A0 | EN | On Switch |
| X | X | X | 0 | None |
| 0 | 0 | 0 | 1 | 1 |
| 0 | 0 | 1 | 1 | 2 |
| 0 | 1 | 0 | 1 | 3 |
| 0 | 1 | 1 | 1 | 4 |
| 1 | 0 | 0 | 1 | 5 |
| 1 | 0 | 1 | 1 | 6 |
| 1 | 1 | 0 | 1 | 7 |
| 1 | 1 | 1 | 1 | 8 |

| PS399 | | | |
|-------|----|----|-----------|
| A1 | A0 | EN | On Switch |
| X | X | 0 | None |
| 0 | 0 | 1 | 1 |
| 0 | 1 | 1 | 2 |
| 1 | 0 | 1 | 3 |
| 1 | 1 | 1 | 4 |

Logic "0", $V_{AL} \leq 0.8V$

Logic "1", $V_{AH} \geq 2.4V$

Absolute Maximum Ratings

| Parameter | Min. | Max. | Units |
|---|--------|-------------|-------|
| Voltages Referenced to V- | | | |
| V+ | -0.3 | 17 | V |
| GND | -0.3 | 17 | |
| GND | -0.3 | (V+) + 0.3V | |
| $V_{IN}, V_{COM}, V_{NO}^{(1)}$ | (V-)-2 | (V+) +2V | |
| Current (any terminal) | | 30 | mA |
| Peak Current, COM, NO, NC (pulsed at 1ms, 10% duty cycle) | | 100 | |
| ESD per Method 3015.7 | | >2000 | V |
| Continuous Power Dissipation | | | |
| SOIC (derate 8.7mW/ °C above +70°C) | | 650 | mW |
| Storage Temperature | -65 | 150 | °C |
| Lead Temperature (soldering, 10s) | | 300 | |

Stress beyond those listed under "Absolute Maximum Ratings" may cause permanent damage to the device.

Note:

1. Signals on NO, COM, or logic inputs exceeding V+ or V- are clamped by internal diodes. Limit forward diode current to 30mA.

Electrical Specifications - Dual Supplies ($V_{\pm} = \pm 5V \pm 10\%$, $GND = 0V$, $V_{AH} = V_{ENH} = 2.4V$, $V_{AL} = V_{ENL} = 0.8V$)

| Parameters | Symbol | Conditions | Temp (°C) | Min ⁽²⁾ | Typ ⁽¹⁾ | Max ⁽²⁾ | Units | |
|---|-------------------|---|-----------|--------------------|--------------------|--------------------|---------|----|
| Analog Switch | | | | | | | | |
| Analog Signal Range ⁽³⁾ | V_{ANALOG} | | Full | V- | | V+ | V | |
| On-Resistance | R_{ON} | $V_{+} = 4.5V, V_{-} = -4.5V,$ $V_{COM} = \pm 3.5V,$ $I_{NO} = 1mA$ | 25 | | 60 | 100 | ohm | |
| | | | Full | | | 125 | | |
| On-Resistance Match Between Channels ⁽⁴⁾ | ΔR_{ON} | V_{COM} or $V_{NC} = \pm 3.5V,$ $I_{NO} = 1mA,$ $V_{+} = 5V, V_{-} = -5V$ | 25 | | | 6 | | |
| | | | Full | | | 8 | | |
| On-Resistance Flatness ⁽⁵⁾ | $R_{FLAT(ON)}$ | $V_{+} = 5V, V_{-} = -5V,$ $I_{NO} = 1mA,$ $V_{COM} = \pm 3V, 0V$ | 25 | | | 11 | | |
| | | | Full | | | 14 | | |
| NO Off Leakage Current ⁽⁶⁾ | $I_{NO(OFF)}$ | $V_{+} = 5.5V, V_{-} = -5.5V,$ $V_{COM} = \pm 4.5V,$ $V_{NO} = \pm 4.5V$ | 25 | -0.1 | | 0.1 | | |
| | | | Full | -1.0 | | 1.0 | | |
| COM Off Leakage Current ⁽⁶⁾ | $I_{COM(OFF)}$ | $V_{+} = 5.5V, V_{-} = -5.5V$ $V_{COM} = \pm 4.5V,$ $V_{NO} = -/+4.5V$ | PS398 | 25 | -0.2 | | 50 | nA |
| | | | | Full | -2.5 | | 100 | |
| | | | PS399 | 25 | -0.1 | | 50 | |
| | | | | Full | -1.5 | | 100 | |
| COM On Leakage Current ⁽⁷⁾ | $I_{COM(ON)}$ | $V_{+} = 5.5V, V_{-} = -5.5V$ $V_{COM} = \pm 4.5V$ $V_{NO} = 4.5V$ | PS398 | 25 | -0.4 | | 0.4 | |
| | | | | Full | -5 | | 5 | |
| | | | PS399 | 25 | -0.2 | | 0.2 | |
| | | | | Full | -2.5 | | 2.5 | |
| Logic Input | | | | | | | | |
| Logic High Input Voltage | V_{AH}, V_{ENH} | | Full | 2.4 | | | V | |
| Logic Low Input Voltage | V_{AL}, V_{ENL} | | | | | 0.8 | | |
| Input Current with Input Voltage High | I_{AH}, I_{ENH} | $V_A = V_{EN} = 2.4V$ | | -0.1 | | 0.1 | μA | |
| Input Current with Input Voltage Low | I_{AL}, I_{ENL} | $V_A = V_{EN} = 0.8V$ | | -0.1 | | 0.1 | | |

| Dynamic | | | | | | | | |
|---------------------------------|-----------------------|--|-------|-------|-----|------|----|----|
| Transition Time | t _{TRANS} | Figure 1 | | | | 150 | ns | |
| Break-Before-Make Time Delay | t _{OPEN} | Figure 3 | | 0 | 40 | | | |
| Enable Turn-On Time | t _{ON(EN)} | Figure 2 | 25 | | 72 | 150 | | |
| | | | Full | | | 250 | | |
| Enable Turn-Off Time | t _{OFF(EN)} | Figure 2 | 25 | | 55 | 150 | | |
| | | | Full | | | 200 | | |
| Charge Injection ⁽³⁾ | Q | C _L = 1nF, V _S = 0V, R _S = 0Ohm. | 25 | | 2.8 | 5 | pC | |
| Off Isolation ⁽⁷⁾ | OIRR | V _{EN} = 0V, R _L = 1kOhm, f = 100kHz | | | | -101 | | dB |
| Crosstalk | X _{TALK} | R _L = 1kOhm, f = 100kHz, Figure 6 | | | | -92 | | |
| Logic Input Capacitance | C _{IN} | f = 1MHz | | | | 2.5 | | pF |
| NO Off Capacitance | C _(OFF) | f = 1MHz, V _{EN} = V _{NO} = 0V | | | | 3.6 | | |
| COM Off Capacitance | C _{COM(OFF)} | f = 1MHz, V _{EN} = V _{COM} = 0V | | PS398 | | 31 | | |
| | | | | PS399 | | 14 | | |
| COM Off Capacitance | C _{COM(ON)} | f = 1MHz, V _{COM} = 0V | PS398 | | 35 | | | |
| | | | PS399 | | 20 | | | |
| Supply | | | | | | | | |
| Power-Supply Range | | | Full | ±3 | | ±8 | V | |
| Positive-Supply Current | I+ | V _{EN} = V _A = 0V or V+, V+ = 5.5V, V- = -5.5V | | -1 | | 1 | μA | |
| Negative-Supply Current | I- | | | -1 | | 1 | | |
| Ground Current | I _{GND} | | | -1 | | 1 | | |

Notes:

1. Algebraic convention, where the most negative value is a minimum and the most positive is a maximum, is used in this data sheet.
2. Typical values are for DESIGN AID ONLY, not guaranteed or subject to production testing.
3. Guaranteed by design.
4. $\Delta R_{ON} = R_{ONmax} - R_{ONmin}$.
5. Flatness is defined as the difference between the maximum and minimum values of on-resistance measured.
6. Leakage parameters are 100% tested at maximum rated hot temperature and guaranteed by correlation at +25°C.
7. Off Isolation = $20 \log_{10} V_{COM} / V_{NO}$. See Figure 5.

Electrical Specifications - Single 5V Supply ($V_+ = +5V \pm 10\%$, $V_- = 0V$, $GND = 0V$, $V_{AH} = V_{ENH} = +2.4$,
 $V_{AL} = V_{ENL} = +0.8V$)

| Parameters | Symbol | Conditions | Temp (°C) | Min ⁽¹⁾ | Typ ⁽²⁾ | Max ⁽¹⁾ | Units | |
|---|-------------------|---|-----------|--------------------|--------------------|--------------------|---------|----|
| Analog Switch | | | | | | | | |
| Analog Signal Range ⁽³⁾ | V_{COM}, V_{NO} | | Full | 0 | | V_+ | V | |
| On-Resistance | R_{ON} | $I_{NO} = 1mA, V_{COM} = 3.5V, V_+ = 4.5V$ | 25 | | 100 | 125 | ohm | |
| | | | Full | | | 280 | | |
| R_{ON} Matching Between Channels ⁽⁴⁾ | ΔR_{ON} | $I_{NO} = 1mA, V_{COM} = 3.5V, V_+ = 4.5V$ | 25 | | | 11 | ohm | |
| | | | Full | | | 13 | | |
| On-Resistance Flatness | R_{FLAT} | $I_{NO} = 1mA, V_{COM} = 1.5V, 2.5V, 3.5V, V_+ = 5V$ | 25 | | | 18 | ohm | |
| | | | Full | | | 22 | | |
| NO-Off Leakage Current ⁽⁶⁾ | $I_{NO(OFF)}$ | $I_{NO} = 4.5V, V_{COM} = 0V, V_+ = 5.5V$ | 25 | -0.1 | | 0.1 | nA | |
| | | | Full | -1.0 | | 1.0 | | |
| COM-Off Leakage Current ⁽⁶⁾ | $I_{COM(OFF)}$ | $V_{COM} = 4.5V, V_{NO} = 0V, V_+ = 5.5V$ | PS398 | 25 | -0.2 | | 50 | nA |
| | | | | Full | -2.5 | | 100 | |
| | | | PS399 | 25 | -0.2 | | 50 | |
| | | | | Full | -1.5 | | 100 | |
| COM-On Leakage Current ⁽⁷⁾ | $I_{COM(ON)}$ | $V_{COM} = 4.5V, V_{NO} = 4.5V, V_+ = 5.5V$ | PS398 | 25 | -0.4 | | 0.4 | nA |
| | | | | Full | -5 | | 5 | |
| | | | PS399 | 25 | -0.2 | | 0.2 | |
| | | | | Full | -2.5 | | 2.5 | |
| Digital Logic Input | | | | | | | | |
| Logic High Input Voltage | V_{AH}, V_{ENH} | | Full | 2.4 | | | V | |
| Logic Low Input Voltage | V_{AL}, V_{ENL} | | | | | 0.8 | | |
| Input Current with Input Voltage High | I_{AH}, I_{ENH} | $V_A = V_{EN} = 2.4V$ | | -0.1 | | 0.1 | μA | |
| Input Current with Input Voltage Low | I_{AL}, I_{ENL} | $V_A = V_{EN} = 0.8V$ | | -0.1 | | 0.1 | | |
| Supply | | | | | | | | |
| Power-Supply Range | V_+ | | Full | 3 | | 15 | V | |
| Positive-Supply Current | I_+ | $V_{EN} = V_+ \text{ or } 0V, V_A = 0V, V_+ = 5.5V, V_- = 0V$ | | -1.0 | | 1.0 | μA | |
| Negative-Supply Current | I_- | | | -1.0 | | 1.0 | | |
| Ground Current | I_{GND} | | | -1.0 | | 1.0 | | |

| Dynamic | | | | | | | |
|---------------------------------|----------------------|--|------|----|-----|-----|----|
| Transition Time | t _{TRANS} | | | | 72 | 245 | ns |
| Break-Before-Make Time Delay | t _{OPEN} | V _{NO} = 3V | 25 | 10 | 36 | | |
| Enable Turn-On Time | t _{ON(EN)} | | Full | | 110 | 200 | |
| Enable Turn-Off Time | t _{OFF(EN)} | | 25 | | 65 | 125 | |
| | | | Full | | | 200 | |
| Charge Injection ⁽³⁾ | Q | C _L = 1nF, V _S = 0V, R _S = 0Ω | 25 | | 2.8 | 5 | pC |

Electrical Specifications - Single 3V Supply (V₊ = + 5V ± 10%, V₋ = 0V, GND = 0V, V_{AH} = V_{ENH} = +2.4, V_{AL} = V_{ENL} = +0.8V)

| Parameters | Symbol | Conditions | Temp (°C) | Min ⁽¹⁾ | Typ ⁽²⁾ | Max ⁽¹⁾ | Units |
|------------------------------------|------------------------------------|---|-----------|--------------------|--------------------|--------------------|-------|
| Switch | | | | | | | |
| Analog Signal Range ⁽³⁾ | V _{COM} , V _{NO} | | Full | 0 | | V ₊ | V |
| On-Resistance | R _{ON} | I _{NO} = 1mA, V _{COM} = 1.5V, V ₊ = 3V | 25 | | 160 | 375 | ohm |
| | | | Full | | | 425 | |
| Dynamic | | | | | | | |
| Transition Time ⁽³⁾ | t _{TRANS} | Figure 1, V _{IN} = 2.4V V _{NO1} = 1.5V, V _{NO8} = 0V | 25 | | 200 | 575 | ns |
| Enable Turn-On Time | t _{ON(EN)} | Figure 2, V _{INH} = 2.4V V _{INL} = 0V, V _{NO1} = 1.5V | | | 200 | 500 | |
| Enable Turn-Off Time | t _{OFF(EN)} | Figure 2, V _{INH} = 2.4V V _{INL} = 0V, V _{NO1} = 1.5V | | | 92 | 400 | |
| Charge Injection ⁽³⁾ | Q | C _L = 1nF, V _S = 0V, R _S = 0Ω | | | | 2 | 5 |

Notes:

- Algebraic convention, where the most negative value is a minimum and the most positive is a maximum, is used in this data sheet.
- Typical values are for DESIGN AID ONLY, not guaranteed or subject to production testing.
- Guaranteed by design.
- $\Delta R_{ON} = R_{ONmax} - R_{ONmin}$
- Flatness is defined as the difference between the maximum and minimum values of on-resistance measured.
- Leakage parameters are 100% tested at maximum rated hot temperature and guaranteed by correlation at +25°C.
- Worst-case isolation is on channel 4 because of its proximity to the COM pin. Off isolation = $20 \log \frac{V_{COM}}{V_{NO}}$, V_{COM} = output, V_{NO} = input to off switch
- Off Isolation = $20 \log_{10} \frac{V_{COM}}{V_{NO}}$. See Figure 5.

Electrical Specifications - Single +3.3V Supply ($V_+ = 3.3V +10\%$, $GND = 0V$, $V_{INH} = 2.4V$, $V_{INL} = 0.8V$)

| Parameters | Symbol | Conditions | Temp (°C) | Min ⁽¹⁾ | Typ ⁽²⁾ | Max ⁽¹⁾ | Units |
|------------------------------------|--------------|---|-----------|--------------------|--------------------|--------------------|---------|
| Analog Switch | | | | | | | |
| Analog Signal Range ⁽³⁾ | V_{ANALOG} | | | 0 | | V_+ | V |
| On-Resistance | R_{ON} | $V_+ = 3V$, $I_{COM} = 1mA$ V_{NO} or $V_{NC} = 1.5V$ | 25 | | 40 | 70 | ohm |
| | | | Full | | 50 | 80 | |
| Dynamic | | | | | | | |
| Turn-On Time ⁽³⁾ | t_{ON} | V_{NO} or $V_{NC} = 1.5V$, Figure 2 | 25 | | 50 | 125 | ns |
| | | | Full | | 100 | 250 | |
| Turn-Off Time ⁽³⁾ | t_{OFF} | | 25 | | 30 | 75 | |
| | | | Full | | 60 | 150 | |
| Charge Injection ⁽³⁾ | Q | $C_L = 1nF$, $V_{GEN} = 0V$, $R_{GEN} = 0\text{-ohm}$, Figure 4 | 25 | | 1 | 5 | pC |
| Supply | | | | | | | |
| Positive Supply Current | I_+ | $V_+ = 3.6V$, $V_{IN} = 0V$ or V_+ , all channels on or off | Full | -1 | 0.01 | 1 | μA |

Electrical Specifications - Single +12V Supply ($V_+ = 12V +10\%$, $GND = 0V$, $V_{INH} = 4V$, $V_{INL} = 0.8V$)

| Parameters | Symbol | Conditions | Temp (°C) | Min ⁽¹⁾ | Typ ⁽²⁾ | Max ⁽¹⁾ | Units |
|------------------------------------|--------------|---|-----------|--------------------|--------------------|--------------------|---------|
| Analog Switch | | | | | | | |
| Analog Signal Range ⁽³⁾ | V_{ANALOG} | | | 0 | | V_+ | V |
| On-Resistance | R_{ON} | $V_+ = 10.8V$, $I_{COM} = 1mA$ V_{NO} or $V_{NC} = 110V$ | 25 | | 15 | 25 | ohm |
| | | | Full | | 20 | 40 | |
| Dynamic | | | | | | | |
| Turn-On Time ⁽³⁾ | t_{ON} | V_{NO} or $V_{NC} = 1.5V$, Figure 2 | 25 | | 25 | 50 | ns |
| | | | Full | | 50 | 100 | |
| Turn-Off Time ⁽³⁾ | t_{OFF} | | 25 | | 20 | 40 | |
| | | | Full | | 40 | 75 | |
| Charge Injection ⁽³⁾ | Q | $C_L = 1nF$, $V_{GEN} = 0V$, $R_{GEN} = 0\text{-ohm}$, Figure 4 | 25 | | 1 | 5 | pC |
| Supply | | | | | | | |
| Positive Supply Current | I_+ | $V_+ = 13V$, $V_{IN} = 0V$ or V_+ , all channels on or off | Full | -1 | 0.01 | 1 | μA |

Test Circuits/Timing Diagrams

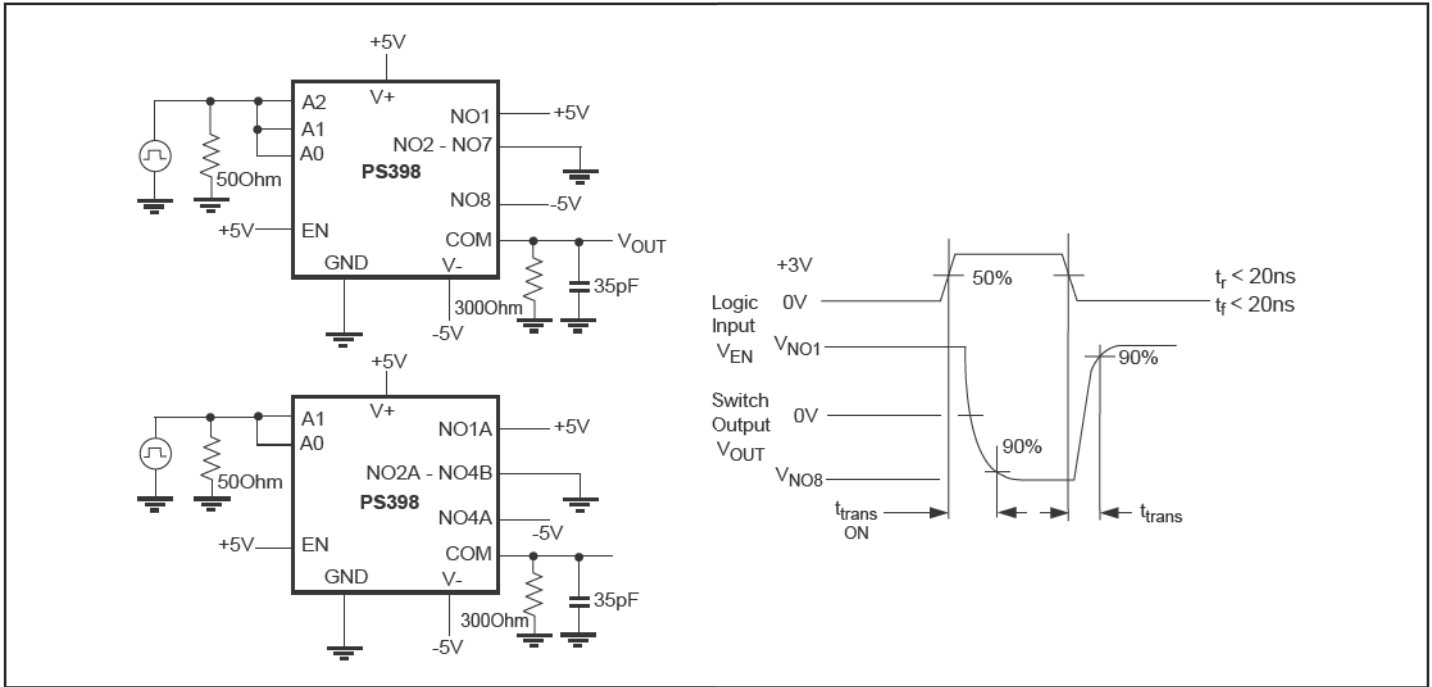


Figure 1. Transition Time

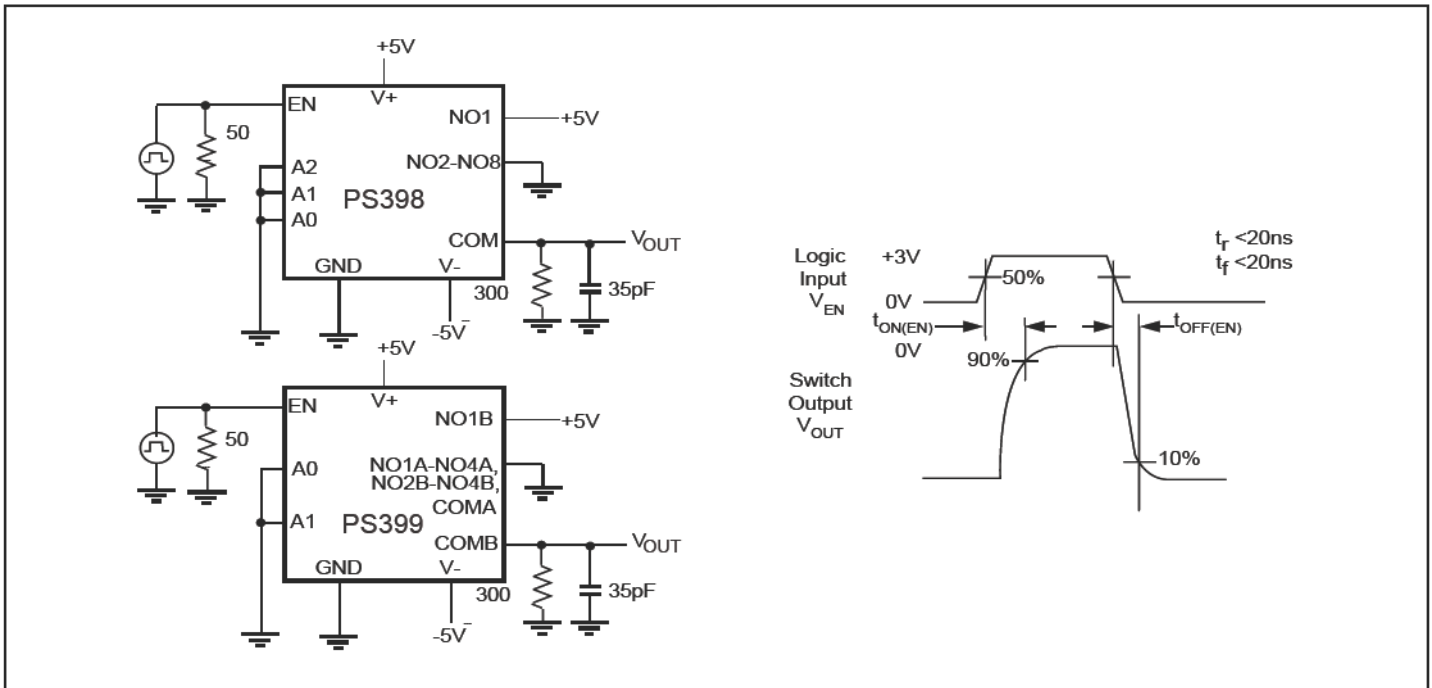


Figure 2. Enable Switching Time

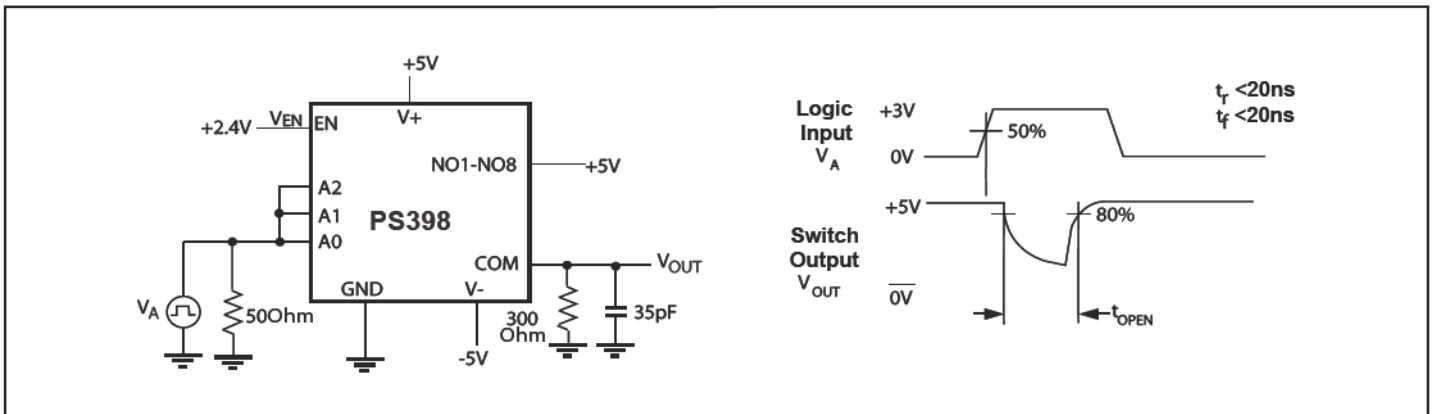


Figure 3. Break-Before-Make Interval

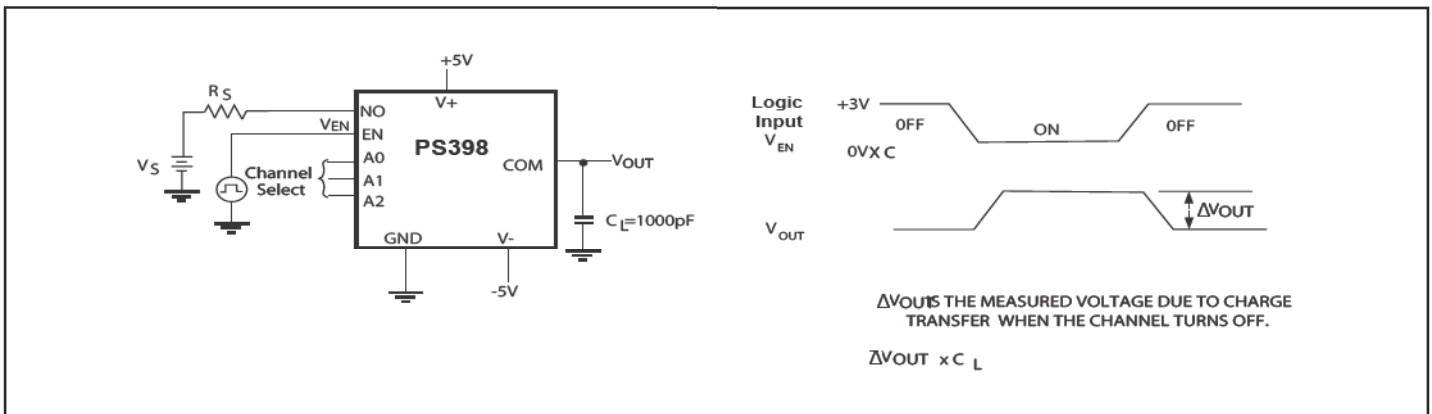


Figure 4. Charge Injection

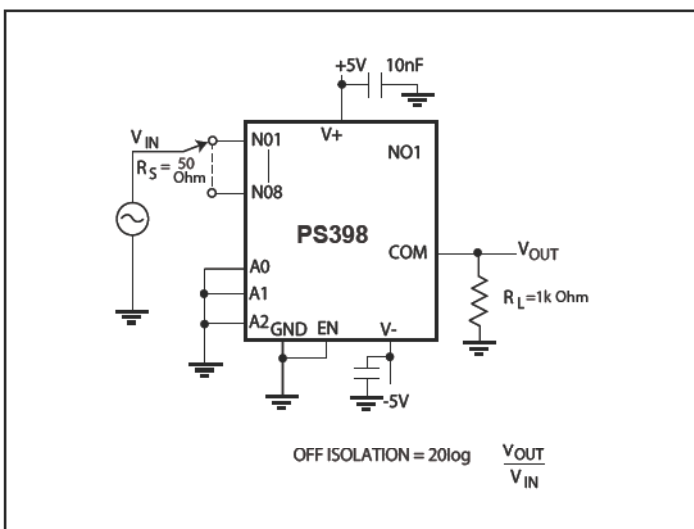


Figure 5. Off Isolation

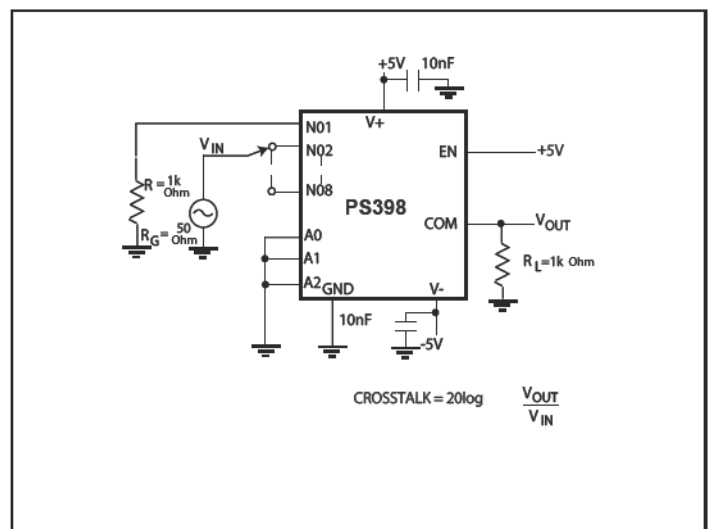


Figure 6. CrossTalk

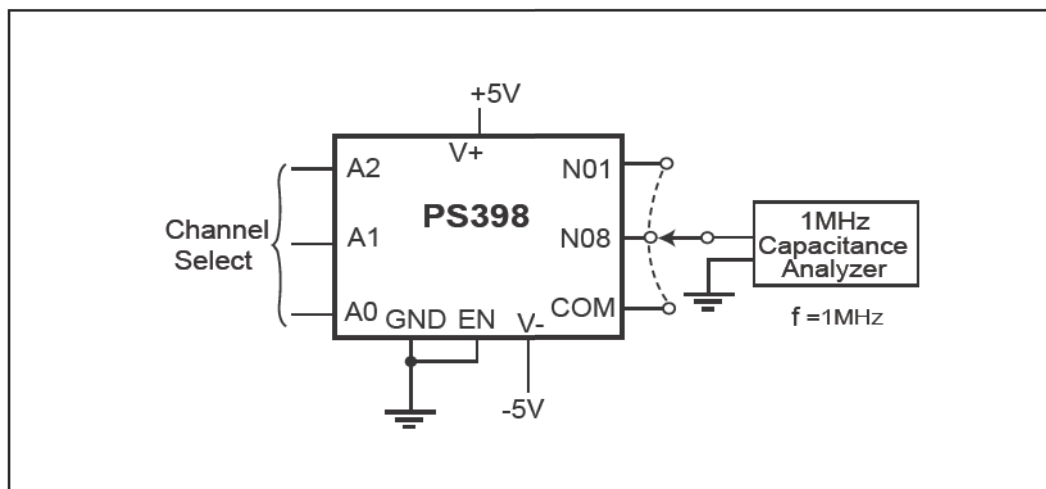


Figure 8. NO/COM Capacitance

Application Information

Overvoltage Protection

Proper power-supply sequencing is recommended for all CMOS devices. Do not exceed the absolute maximum ratings, because stresses beyond the listed ratings may cause permanent damage to the devices. Always sequence V+ on first, followed by V-, and then logic inputs. If power-supply sequencing is not possible, add two small signal diodes or two current limiting resistors in series with the supply pins for overvoltage protection (Figure 9). Adding diodes reduces the analog signal range, but low switch resistance and low leakage characteristics are unaffected.

Maximum Sampling Rate

From the sampling theorem, the sampling frequency needed to properly recover the original signal should be more than twice its maximum component frequency. In real applications, sampling at three or four times the maximum signal frequency is customary.

The maximum sampling rate of a multiplexer is determined by its transition time (t_{TRANS}), the number of channels being multiplexed, and the settling time ($t_{SETTLING}$) of the sampled signal at the output. The maximum sampling rate is:

$$f_s = \frac{1}{n(t_{TRANS} + t_{SETTLING})} \quad (1)$$

Where n = number of channels scanned: 8 for PS398, 4 for PS399. t_{TRANS} is given on the specification table: 150 ns max.

Settling time is the time needed for the output to stabilize within the desired accuracy band of +1 LSB (least significant bit).

Other factors determining settling time are: signal source impedance, capacitive load at the output. Figure 10 illustrates the steady state model. To figure out what the settling time due to the multiplexer is, we can assume that $R_S = 0\Omega$, and $C_L = 0$. In real life, the effects of R_S and C_L should be taken into account when performing these calculations.

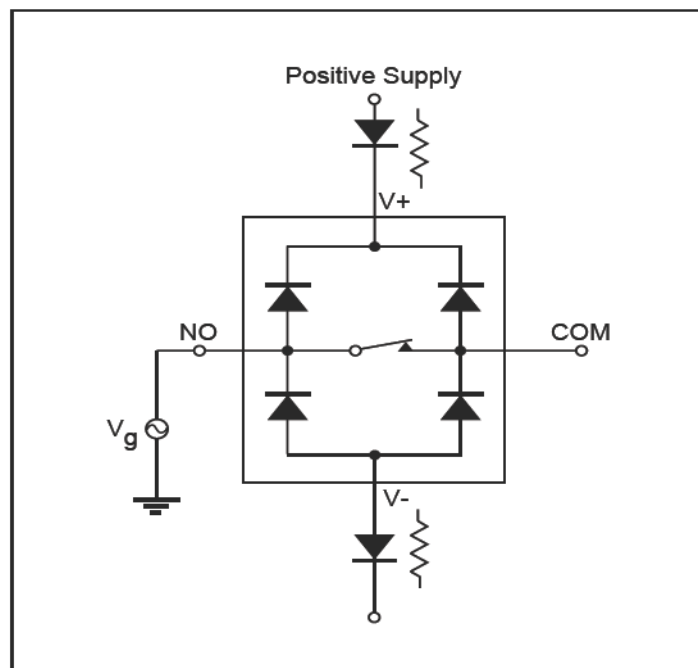


Figure 9. Overvoltage protection is accomplished using two external blocking diodes or two current limiting resistors.

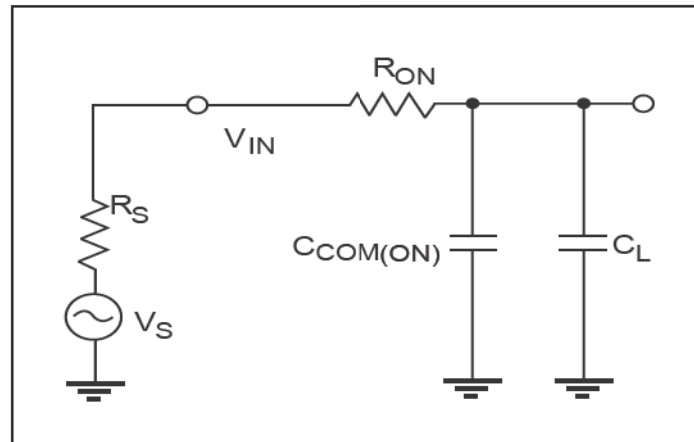


Figure 10. Equivalent model of one multiplexer channel

The table below shows how many time constants ($m\tau$) are needed to reach an accuracy of one LSB. $\tau = R_{ON} \times C_{COM(ON)}$

| Bits | Accuracy (%) | m |
|------|--------------|----|
| 8 | 0.25 | 6 |
| 12 | 0.012 | 9 |
| 15 | 0.0017 | 11 |

Now, let's calculate what the maximum sampling rate for the PS398. Assume a 12-bit accuracy and room temperature operation.

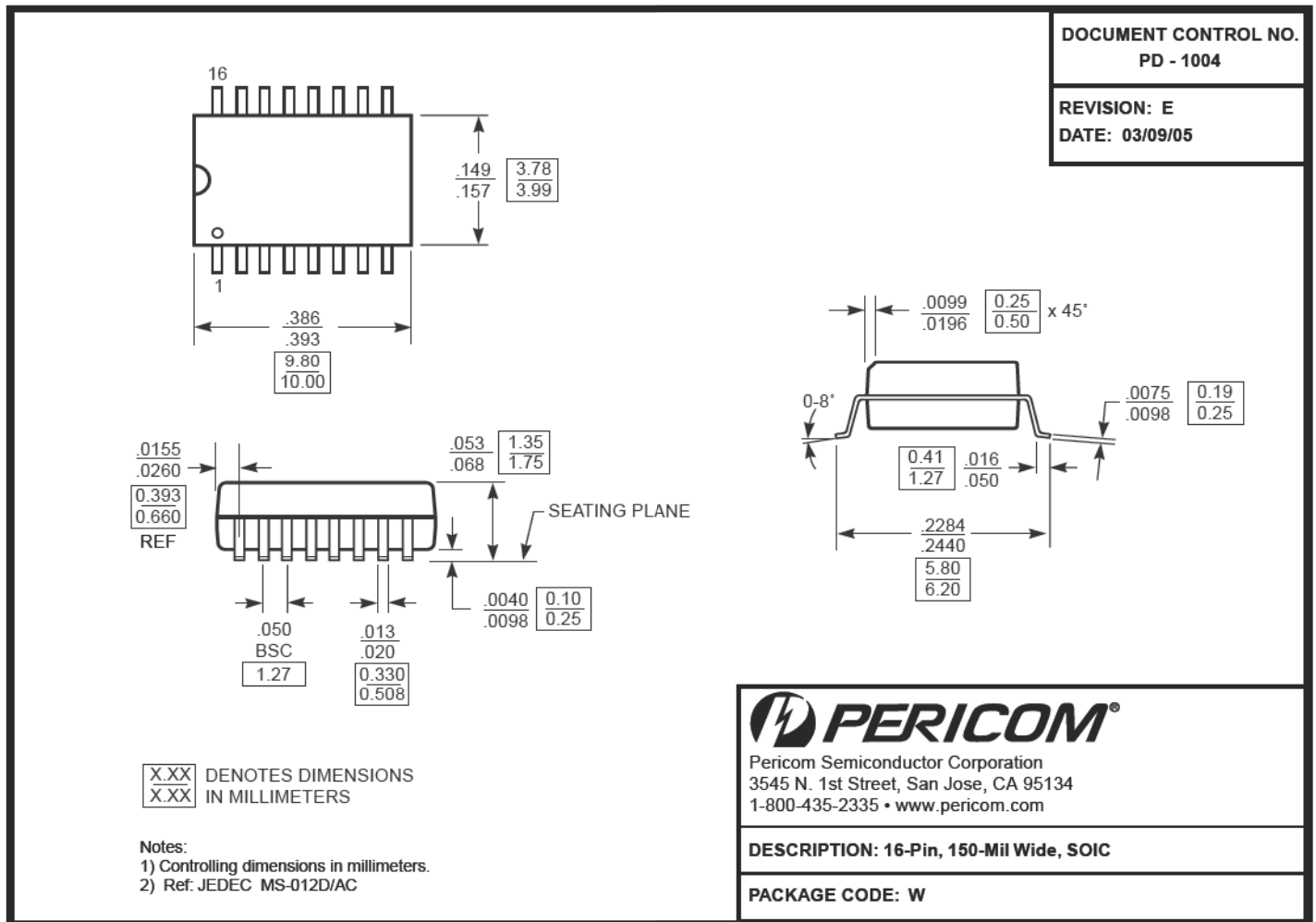
In equation (1) above, $n = 8$, $t_{TRANS} = 150ns$, $t_{SETTLING} = 9\tau$,
 $\tau = 100ohm \times 54pF$

$$f_s = \frac{1}{8 [150ns + 9(100ohm \times 54pF)]}$$

or $f_s = 630kHz$.

Assuming a x4 oversampling rate, the maximum sampling speed for the PS398 would be $630 \div 4 = 157kHz$.

Packaging Mechanical: 16-Pin SOIC (W)



Ordering Information

| Ordering Code | Package Code | Package Type |
|---------------|--------------|------------------------------|
| PS398CSEE | W | Pb-free & Green, 16-pin SOIC |

1. Thermal characteristics can be found on the company web site at www.pericom.com/packaging/

Looking for pricing, stock, or lifecycle information?

Click below to explore more details on WIN SOURCE:

- [⊖ View PS399CSE on WIN SOURCE](#)
- [⊖ Diodes Incorporated Information](#)

Optimize Your Supply Chain with WIN SOURCE Solutions

- ✓ Global Sourcing Solution
- ✓ Obsolete Management
- ✓ Cost Control Management
- ✓ Shortage Management
- ✓ Alternative Solution
- ✓ Excess Inventory Management