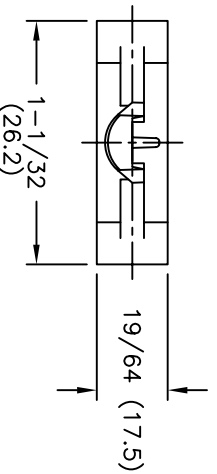
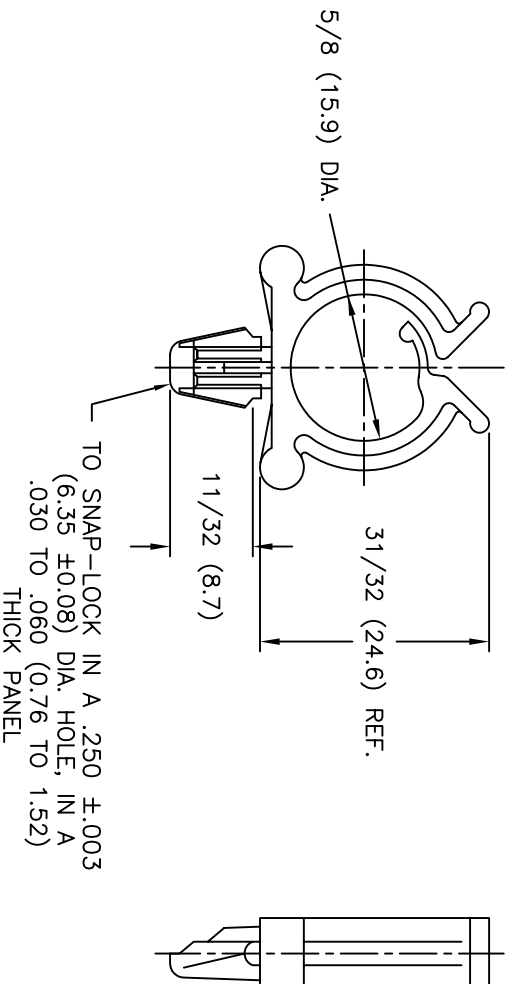




**THE DATASHEET OF
RWS-10-19**



MATERIAL:	NYLON 6/6 (RMS-01)	NYLON 6/6 (RMS-01)	FLAME RETARDANT NYLON (RMS-19)
COLOR:	NATURAL	BLACK	NATURAL
PART NO.:	RWS-10-01	RWS-10-01BK	RWS-10-19





TITLE: **ROUND WIRE SADDLE**

TOLERANCES UNLESS NOTED .XX=±.010 .XXX=±.005 FRAC=±1/64 ANG=±1°	FILE # RWS-10	DWN: P.B.	APP:	PART #	DWG IN IN (MM)	PRINT TYPE
	MAT'L: NYLON 66, NATURAL	DT: 05-06-94	DT:	SEE TABLE	FINAL	CA
	RE: RICHCO, INC.	Po BOX 804238	RICHCO INC.			
		(773) 539-4060	CHICAGO, 60680			

LOCK NOTE	SJ 07.19.02
E BLOCK	SM 05.30.01
LAOK	PB 050694
	ENGR DATE

Looking for pricing, stock, or lifecycle information?

Click below to explore more details on WIN SOURCE:

-  [View RWS-10-19 on WIN SOURCE](#)
-  [Essentra Components](#) Information

Optimize Your Supply Chain with WIN SOURCE Solutions

-  Global Sourcing Solution
-  Obsolete Management
-  Cost Control Management
-  Shortage Management
-  Alternative Solution
-  Excess Inventory Management