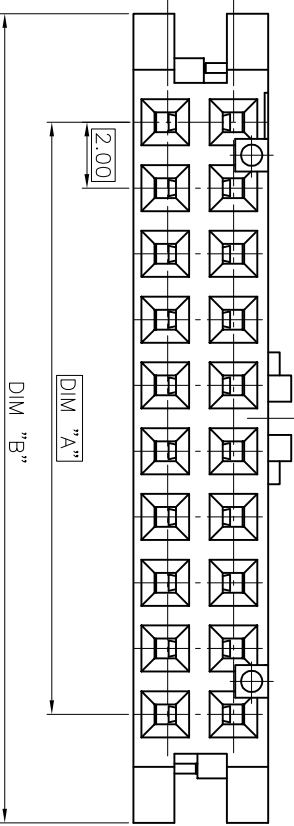
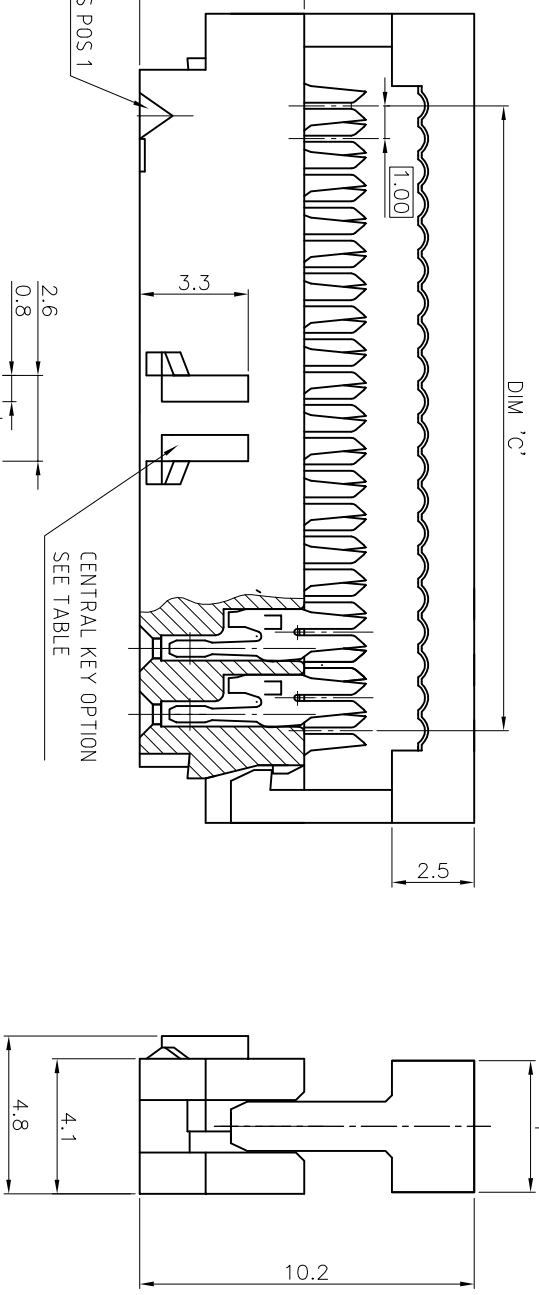




THE DATASHEET OF
89947-706LF



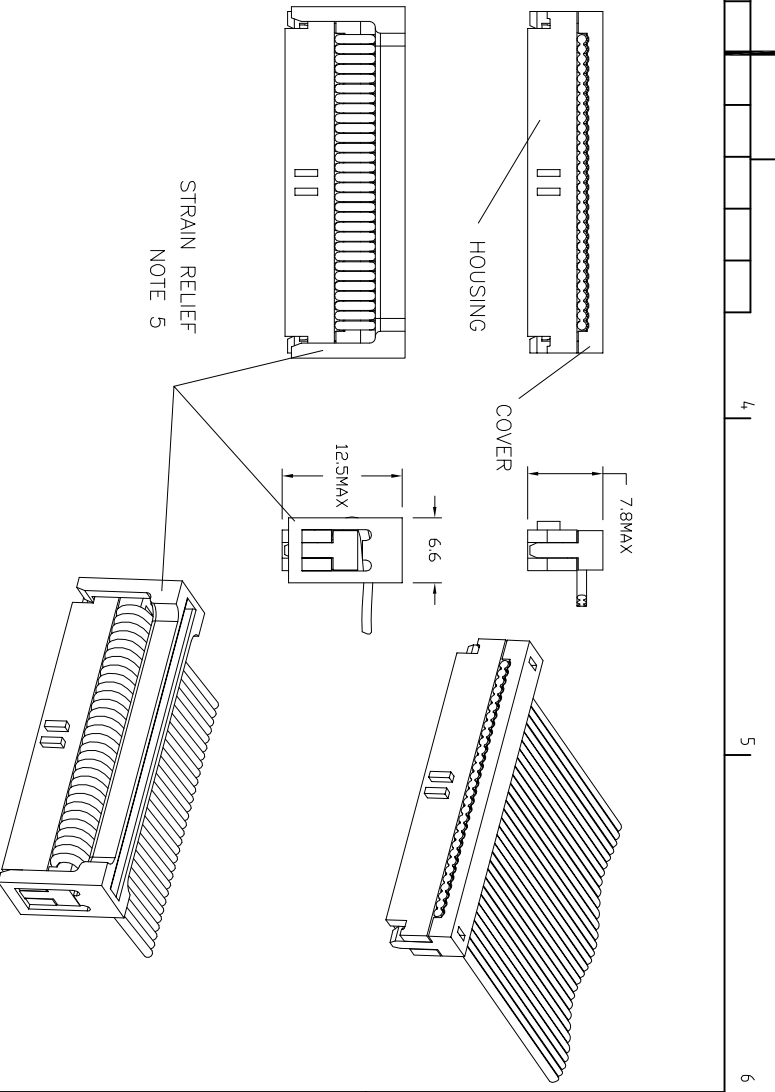
PLANT, NOTE 4
 NOTE 5
 S. SHEET 2.



VIEW WITHOUT COVER

mat'l. code	surface	tolerance	projection	product family
SEE NOTE	ISO 1302	ISO 406 ISO 1101	ISO 1101	MINITEK
ISO 1302	tolerances unless otherwise specified		scale 1:1	
ISO 406			mm	
ISO 1101				
thr ecn no dr date	angles	linear		title
L F06-0211 LMU 06.07.03	0°±x°	.00±.13		2.00mm IDC
M F07-0215 LMU 07.06.12		.000±.05		0.76µm Au
N F08-0218 JCO 08.09.09	dr	LMULIN		dwg no
P F09-0081 JCO 09.08.27	engr J.COMPAGNON	07.03.20		89947
	chr			sheet 1 of 2
	qppd	JM.C		size
				A3
sheet revision	P	P		
Index	Sheet	1	2	

DIM "B"	DIM "C"	STRAIN RELIEF OPTION
10.6	5	YES
12.6	7	YES
14.6	9	YES
16.6	11	YES
18.6	13	YES
20.6	15	YES
22.6	17	YES
24.6	19	YES
26.6	21	NOT TOOLED
28.6	23	YES
30.6	25	YES
32.6	27	NOT TOOLED
34.6	29	YES
36.6	31	YES
38.6	33	YES
40.6	35	NOT TOOLED
44.6	39	YES
48.6	43	YES
52.6	47	YES
54.6	49	YES



BRONZE
 BT GLASSFILLED UL 94V-0 BLACK
 ON CONTACT AREA
 UNDERPLATING ALL OVER
 28, STRANDED
 UNION DIRECTIVES AND OTHER
 S-22-008.
 GS-14-920.
 SEE TABLE FOR AVAILABILITY,
 IF NOT APPLICABLE.



AVAILABILITY

FROM 2X3 POS UP TO 2X17
 FROM 2X17 POS UP TO 2X25
 FROM 2X3 POS UP TO 2X25

WITH CENTRAL KEY
 AND
 POSITION LATCH BUMP

mat'l. code	surface	tolerance	projection	product family
SEE NOTE	ISO 1902	ISO 406 ISO 1101	MINITEK	
trn ecn no. / dr	date	tolerances unless otherwise specified		
L F06-0211 LMU	06.07.03	angles	linear	title
M F07-0215 LMU	07.06.12	0°±x°	.00±.13	2.00mm IDC
N F08-0218 JCO	08.09.09	0°±x°	.000±.05	0.76µm Au
P F09-0081 JCO	09.08.27	dr	LMULLN	07.03.20
		engr. JCOM	PAGNONI	07.03.20
		chr	JM.C	07.03.20
		appd		
sheet	revision			
index	sheet			



product family
 MINITEK
 title
 2.00mm IDC
 0.76µm Au
 dwg no
 89947
 sheet 2 of 2
 size
 A3

Looking for pricing, stock, or lifecycle information?

Click below to explore more details on WIN SOURCE:

- [View 89947-706LF on WIN SOURCE](#)
- [Amphenol FCI Information](#)

Optimize Your Supply Chain with WIN SOURCE Solutions

- ✓ Global Sourcing Solution
- ✓ Obsolete Management
- ✓ Cost Control Management
- ✓ Shortage Management
- ✓ Alternative Solution
- ✓ Excess Inventory Management