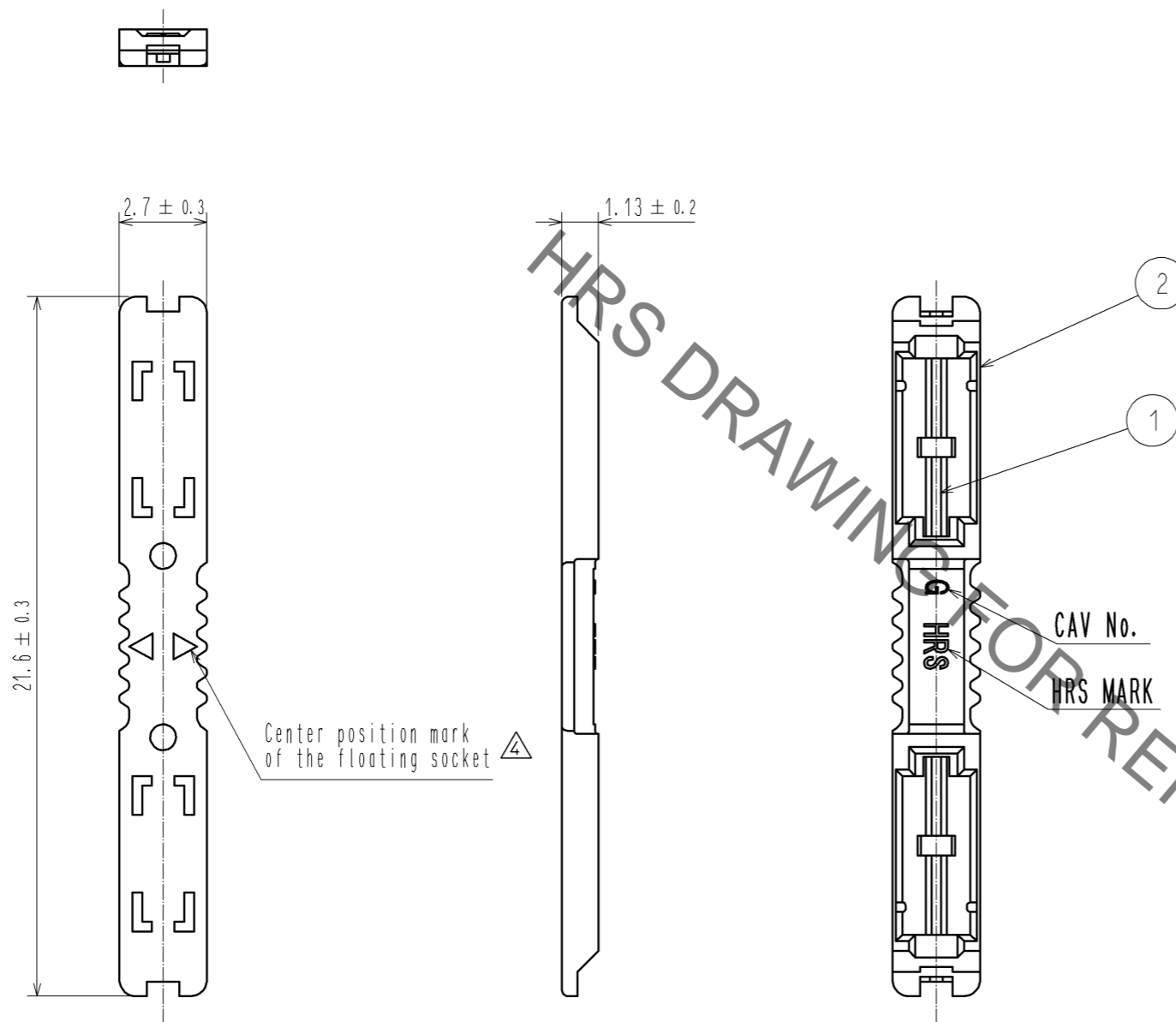




**THE DATASHEET OF
DF59S-1P-FC(21)**



Sep.1.2019 Copyright 2019 HIROSE ELECTRIC CO., LTD. All Rights Reserved.
 In case of consideration for using Automotive equipment / device which demand high reliability, kindly contact our sales window correspondents.



HRS DRAWING FOR REFERENCE

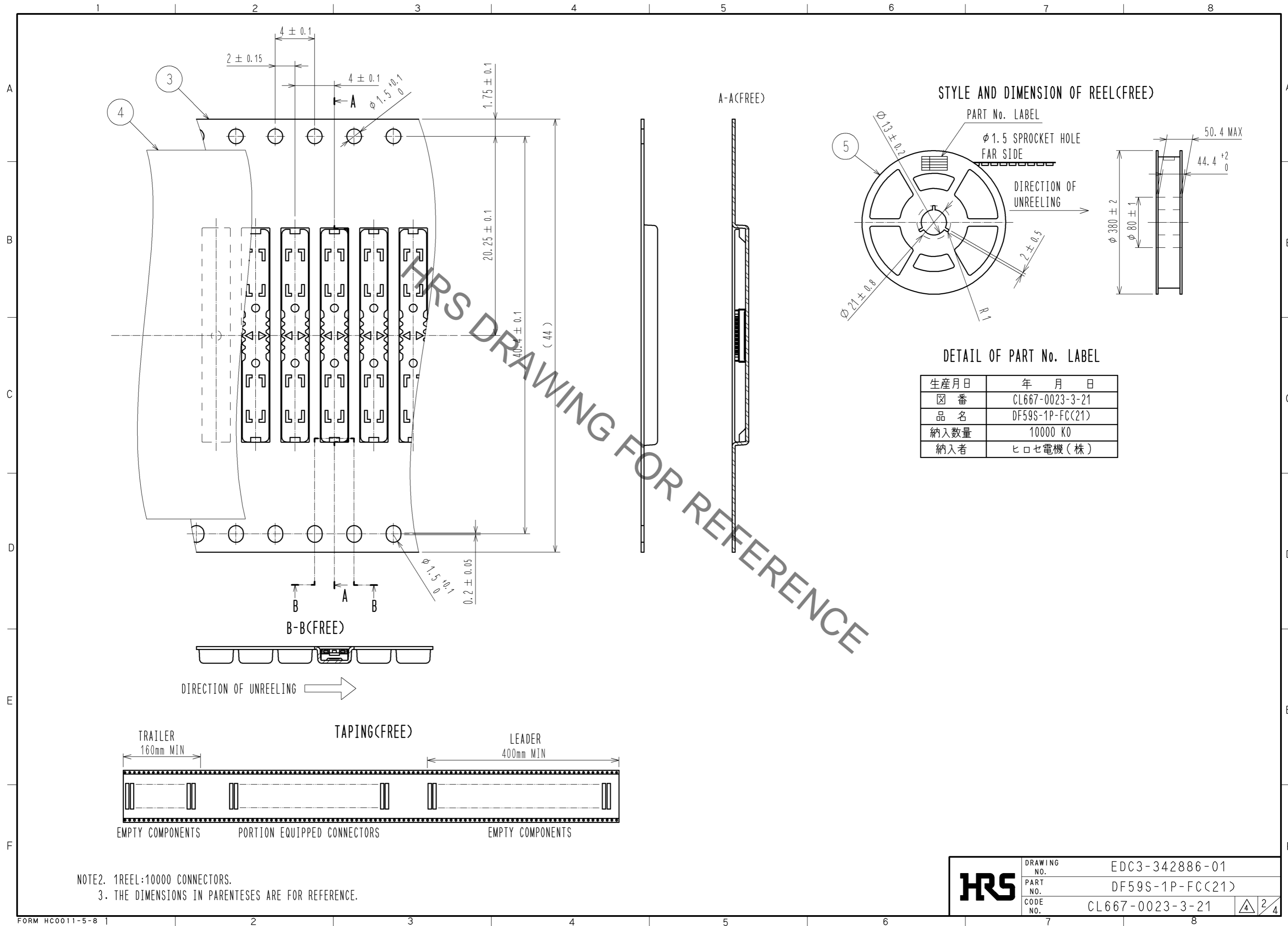
NOTE1. REFER TO THE DF59S SERIES MATING/UNMATING OPERATION INSTRUCTION MANUAL (ETAD-H0651) FOR THE OPERATING OF THE PRODUCT.

NO.	MATERIAL	FINISH . REMARKS	NO.	MATERIAL	FINISH . REMARKS
2	LCP	UL94V-0, BEIGE	5	PS	REEL, BLACK
1	BRASS	SURFACE:TIN PLATING 1 μ m MIN	4	POLYESTER	CLEAR(COVER TAPE)
		UNDER PLATING:Cu PLATING 0.3 μ m MIN	3	PS	CLEAR(EMBOSSSED CARRIER TAPE)

UNITS	SCALE	COUNT	DESCRIPTION OF REVISIONS	DESIGNED	CHECKED	DATE
mm	5 : 1	1	DIS-H-007568	MI. SAKIMURA	TS. KUMAZAWA	13. 01. 23

HRS HIROSE ELECTRIC CO., LTD.	APPROVED : KI. AKIYAMA	12. 06. 21	DRAWING NO.	EDC3-342886-01
	CHECKED : OM. MIYAMOTO	12. 06. 21	PART NO.	DF59S-1P-FC(21)
	DESIGNED : KT. ISHII	12. 06. 21	CODE NO.	CL667-0023-3-21
	DRAWN : KT. ISHII	12. 06. 21		

Sep.1.2019 Copyright 2019 HIROSE ELECTRIC CO., LTD. All Rights Reserved.
 In case of consideration for using Automotive equipment / device which demand high reliability, kindly contact our sales window correspondents.



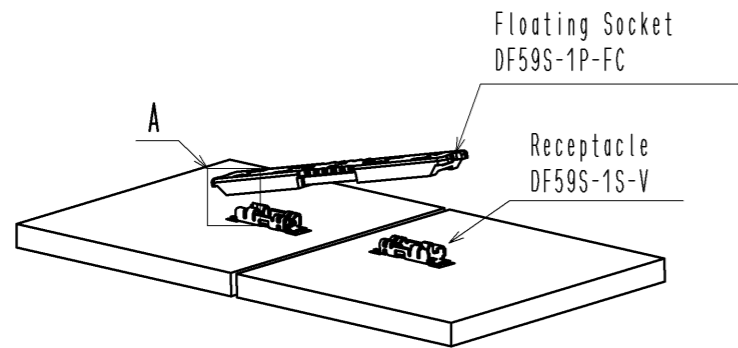
NOTE2. 1REEL:10000 CONNECTORS.
 3. THE DIMENSIONS IN PARENTESES ARE FOR REFERENCE.

HRS	DRAWING NO.	EDC3-342886-01
	PART NO.	DF59S-1P-FC(21)
	CODE NO.	CL667-0023-3-21
		△ 2/4

DF59S Operation Procedures for Floating Socket

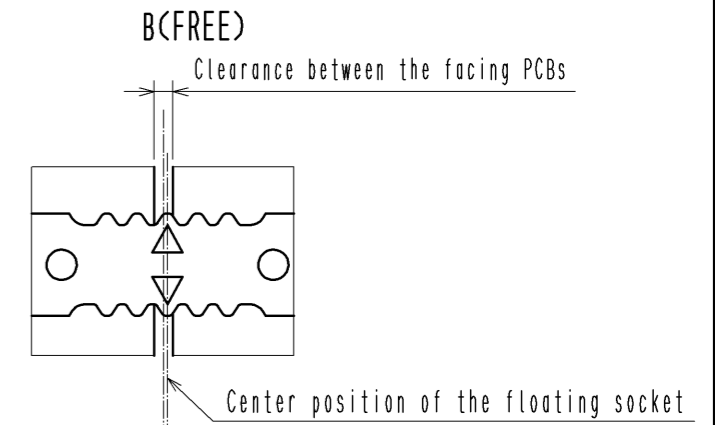
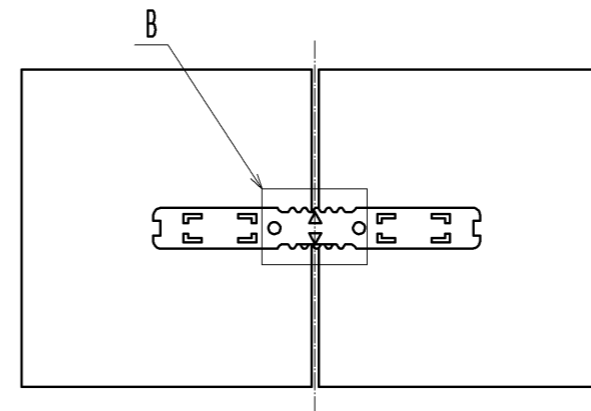
«Mating»

1. Place the floating socket at the tip on the receptacle mating point.

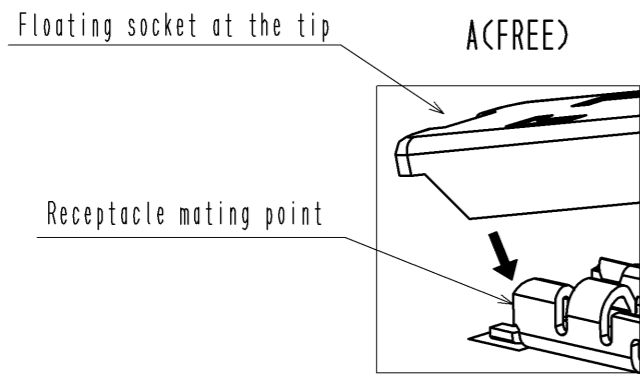
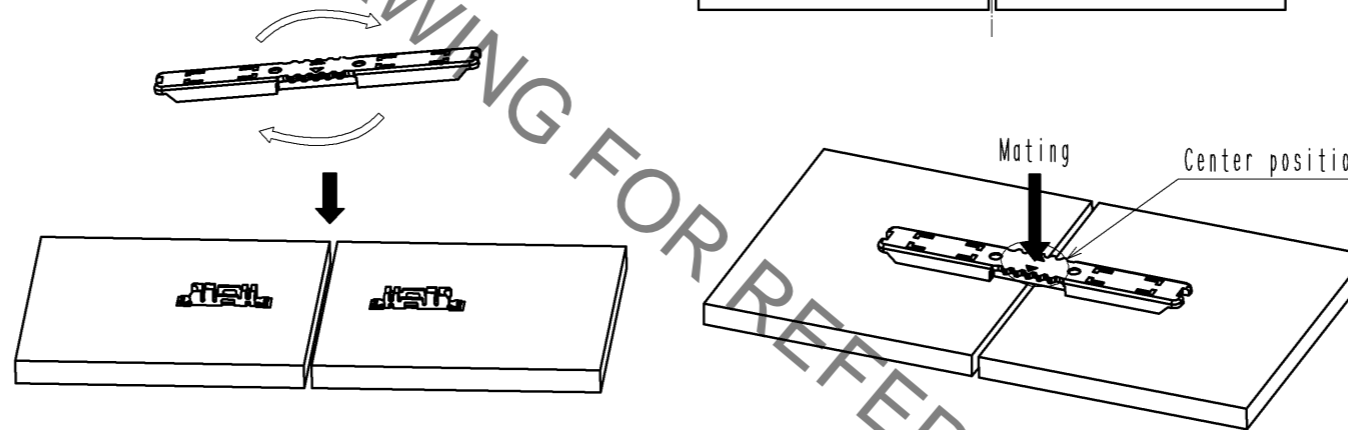


2. Align the center position of floating socket to the center position of the clearance between the facing PCBs in a line.

Press down at the center surface of the floating socket.

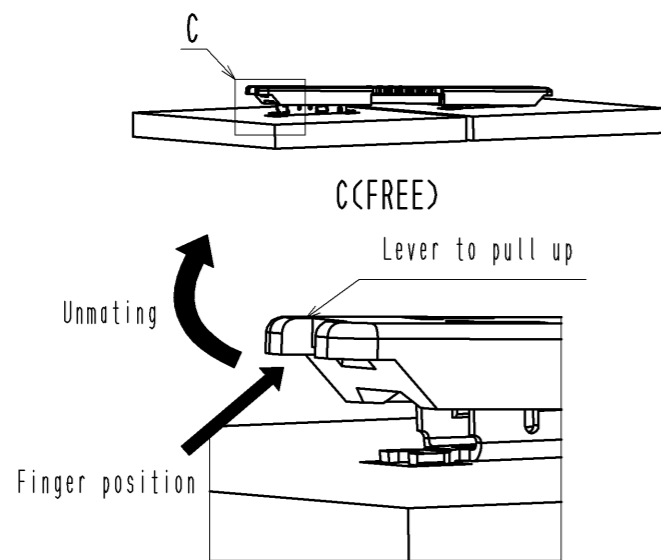


※Floating socket can be mating both directions.

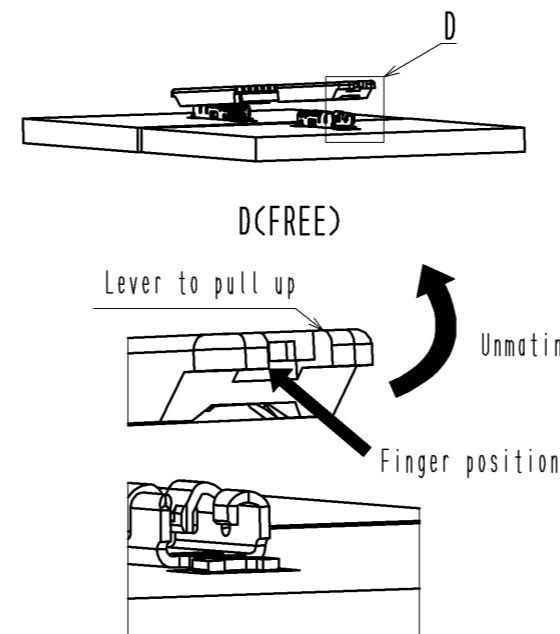


«Unmating»

1. Hook the lever on either sides of floating socket with finger and lift up to the upper direction for unlock. (Lift up until friction lock is released.)



2. After releasing either side, hook the lever on the other side with a finger and lift up to the upper direction, too.



HRS	DRAWING NO.	EDC3-342886-01
	PART NO.	DF59S-1P-FC(21)
	CODE NO.	CL667-0023-3-21
		3/4

Sep.1.2019 Copyright 2019 HIROSE ELECTRIC CO., LTD. All Rights Reserved. In case of consideration for using Automotive equipment / device which demand high reliability, kindly contact our sales window correspondents.

Sep.1.2019 Copyright 2019 HIROSE ELECTRIC CO., LTD. All Rights Reserved.
In case of consideration for using Automotive equipment / device which demand high reliability, kindly contact our sales window correspondents.

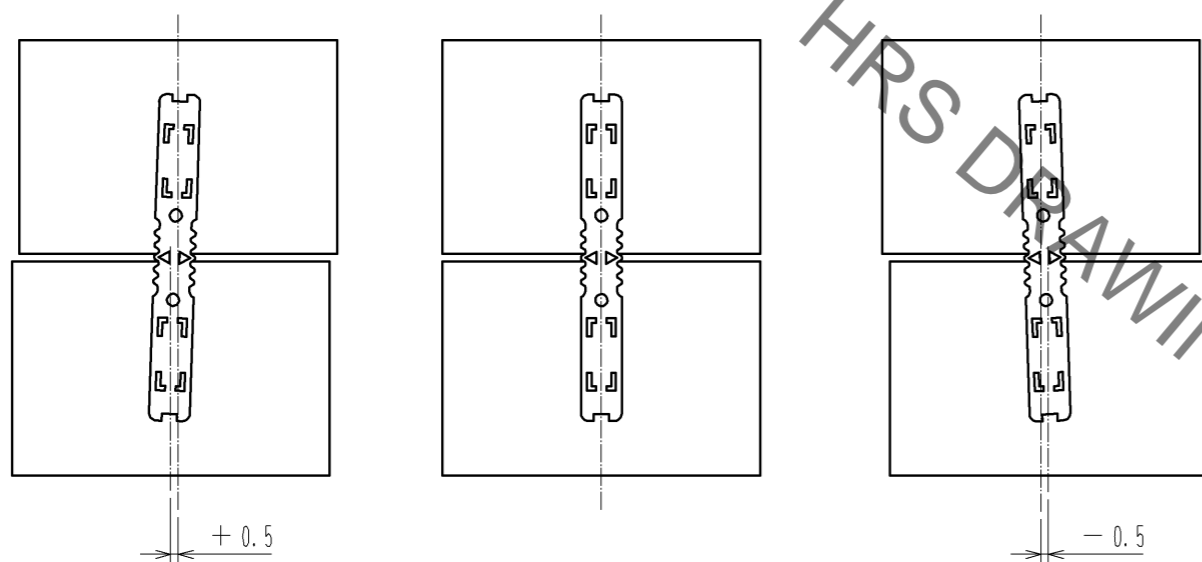
DF59S Dimension of floating

The dimension of floating at the time of using a floating socket is shown below.
Please use in the limits of dimension.

《Direction of X axis》

The dimension of floating of X direction is shown below.

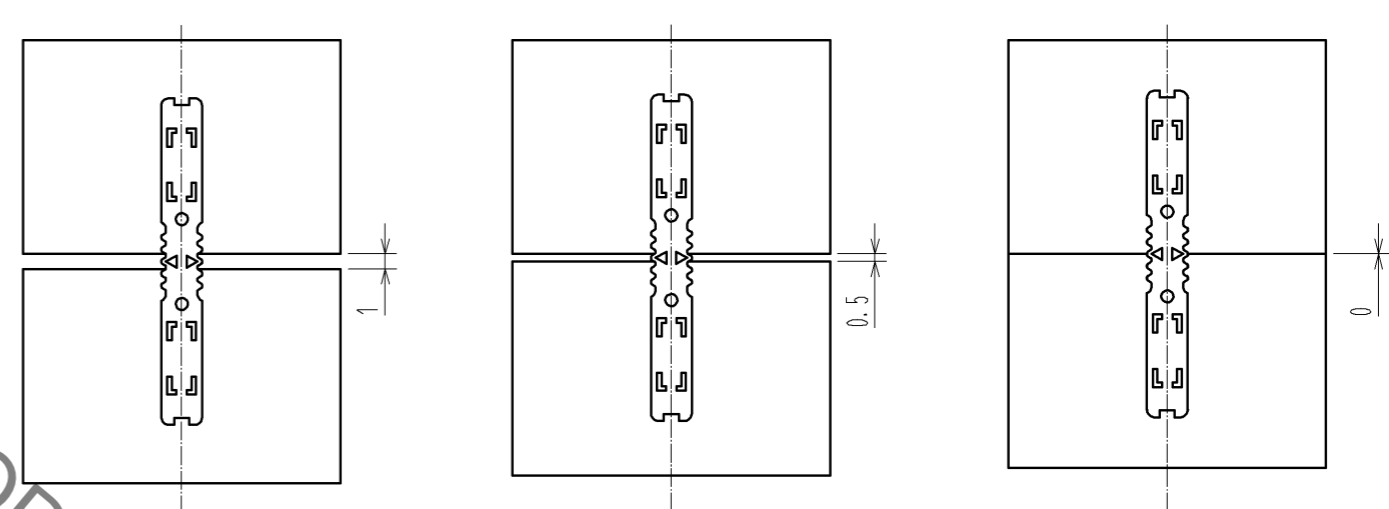
■ Direction of X axis floating: +0.5mm ■ Normal mating ■ Direction of X axis floating: -0.5mm



《Direction of Y axis》

The dimension of floating of Y direction is shown below.

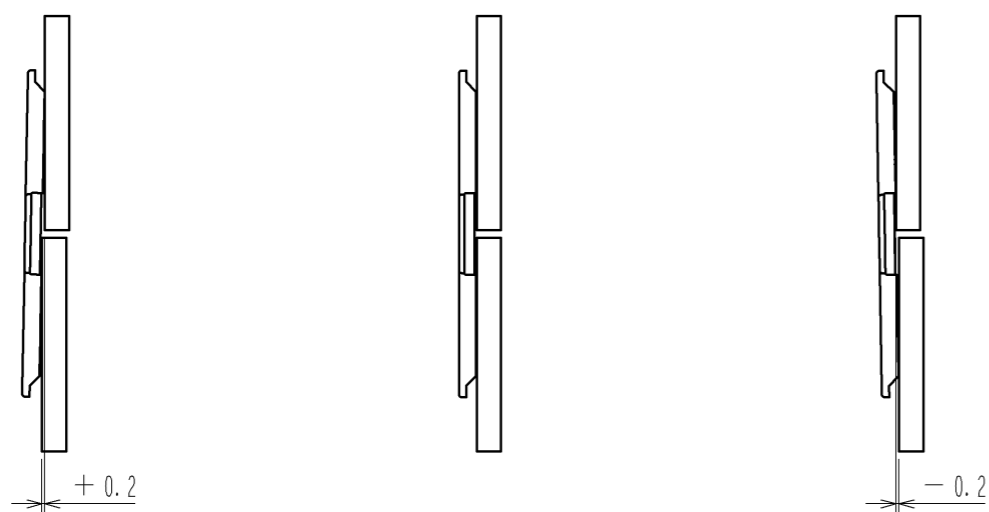
■ Direction of Y axis floating: +0.5mm ■ Normal mating ■ Direction of Y axis floating: -0.5mm



《Direction of Z axis》

The dimension of floating of Z direction is shown below.

■ Direction of Z axis floating: +0.2mm ■ Normal mating ■ Direction of Z axis floating: -0.2mm



HRS DRAWING FOR REFERENCE





図番:	EDC3-342886-01
製品名:	DF59S-1P-FC(21)
製品コード:	CL667-0023-3-21

4/4

Looking for pricing, stock, or lifecycle information?

Click below to explore more details on WIN SOURCE:

-  [View DF59S-1P-FC\(21\) on WIN SOURCE](#)
-  [Hirose Electric Co Ltd Information](#)

Optimize Your Supply Chain with WIN SOURCE Solutions

-  Global Sourcing Solution
-  Obsolete Management
-  Cost Control Management
-  Shortage Management
-  Alternative Solution
-  Excess Inventory Management