

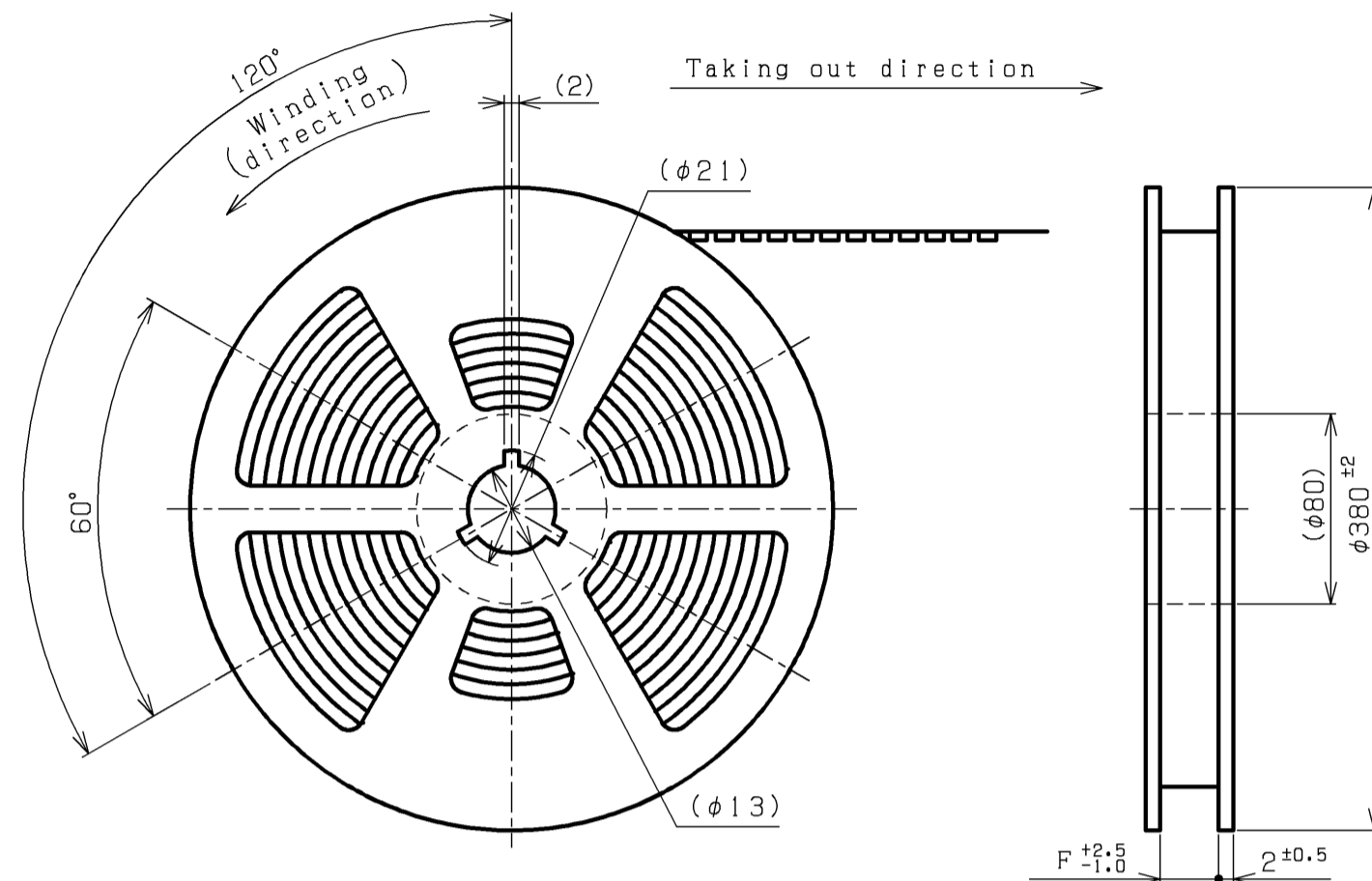


**THE DATASHEET OF
SM12B-ZESS-TB(LF)(SN)**



REV.	DESCRIPTION	DATE	DESIGNED
△			

A
B
C
D
E
F
G
H

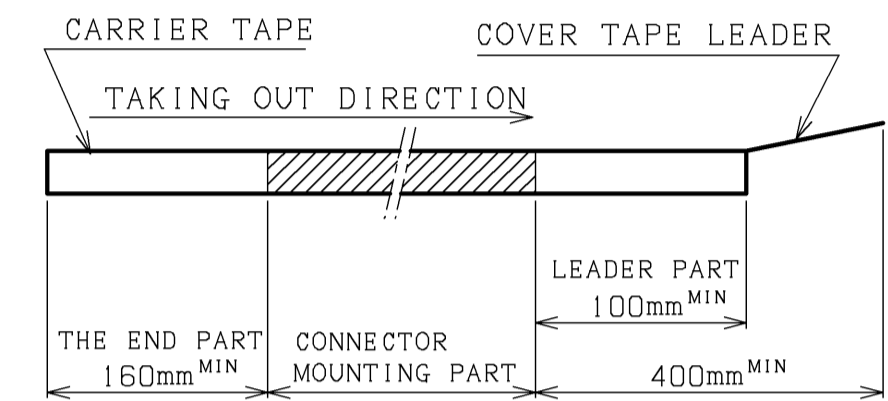


Circuits	Dimensions					
	A	B	C	D	E	F
7	15.4	9.7	32.0	14.2	28.4	33.5
8	16.9	11.2	32.0	14.2	28.4	33.5
9	18.4	12.7	32.0	14.2	28.4	33.5
10	19.9	14.2	32.0	14.2	28.4	33.5
11	21.4	15.7	44.0	20.2	40.4	45.5
12	22.9	17.2	44.0	20.2	40.4	45.5

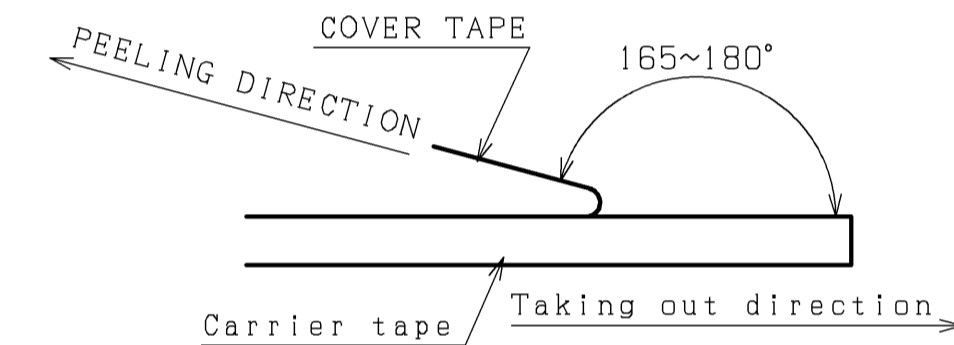
COLOR	Part No.
NATURAL	SM () B-ZESS-TB (LF) (SN)
BLUE	SM () B-ZEES-TB (LF) (SN)

NOTE

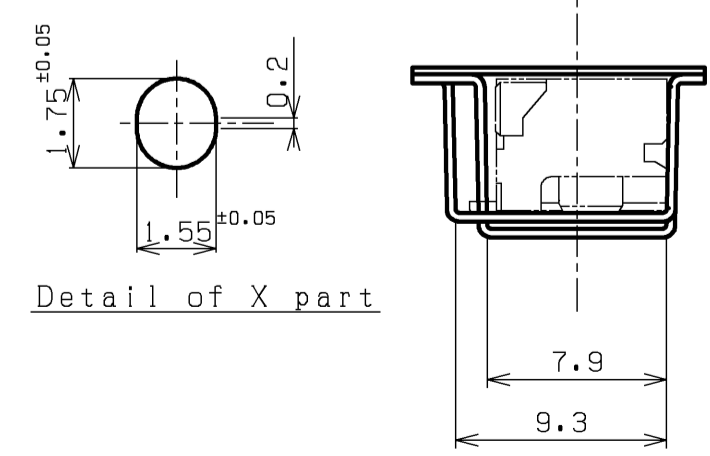
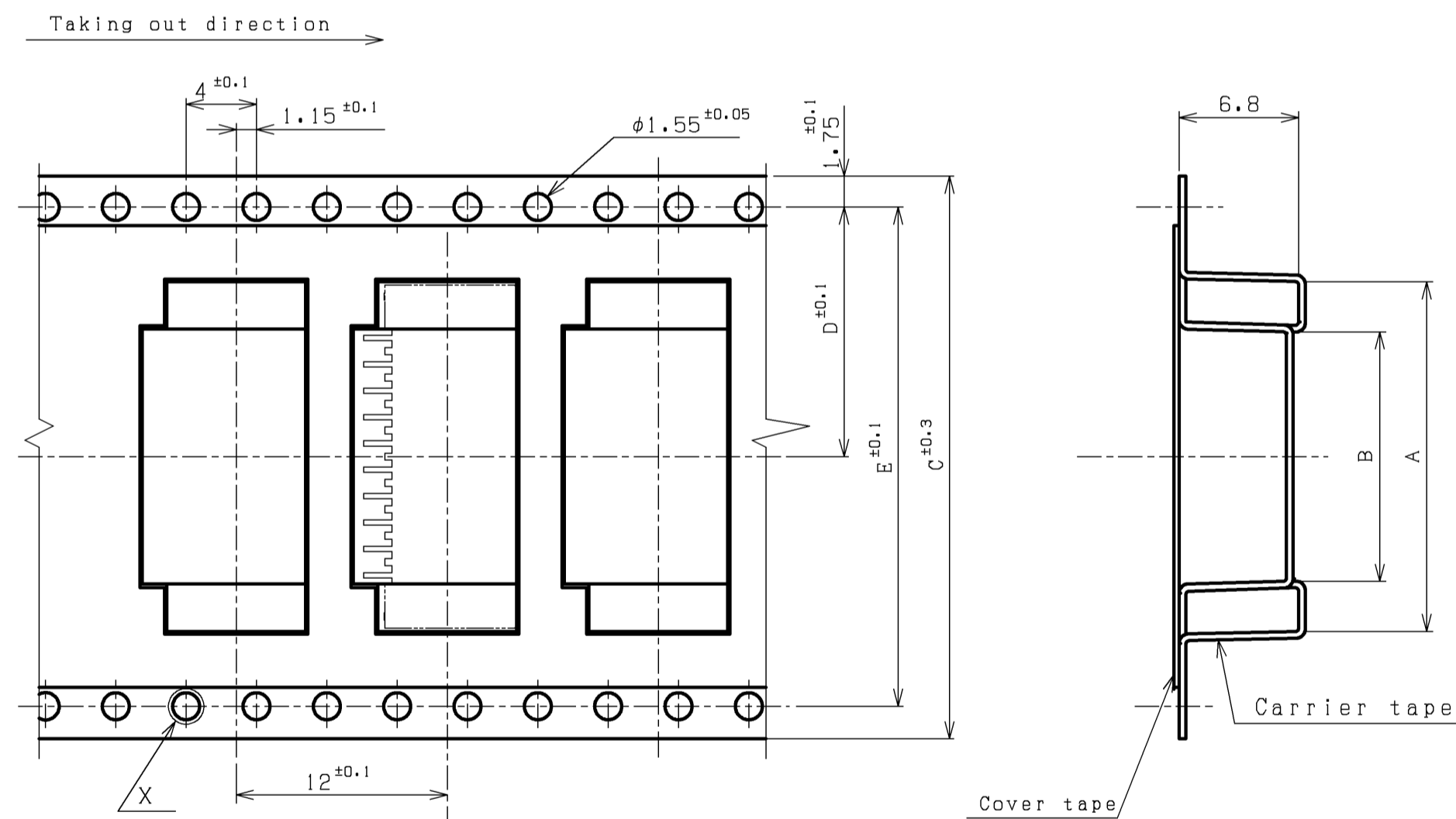
- Connector part: See the DWG. of ZE connector.
- Quantity to be packaged: 1000 pcs/reel
- Leading tape length.



- Cover tape peel strength: 0.1~1N
(Peel speed: 300mm/minute)



- Material: Carrier tape; Polyester (PET)
Cover tape ; Polyester (PET)
Reel ; Flange; Polystyrene (PS)
Core ; Polypropylene (PP)
Polystyrene (PS)
- Unless otherwise specified, tolerances are ±0.3



No.	PART NAME	MATERIAL	SURFACE FINISH	REMARKS
SIZE	UNIT	SCALE	PROJECTION	DATE
A2	METRIC	3:1	☉	JAN.15.2007
APPROVED	CHECKED	DESIGNED	DRAWN	CUSTOMER
S.K	M.N	T.S		LG PHILIPS LCD CO., LTD.
SERIES NAME				ZE CONNECTOR
PART No.				SM () B-ZE () S-TB (LF) (SN)
DRAWING No.				KRD-40707
RO				

JST J.S.T.MFG.CO.,LTD.

Looking for pricing, stock, or lifecycle information?

Click below to explore more details on WIN SOURCE:

- ⊖ [View SM12B-ZESS-TB\(LF\)\(SN\) on WIN SOURCE](#)
- ⊖ [JST Sales America Inc. Information](#)

Optimize Your Supply Chain with WIN SOURCE Solutions

- ✓ Global Sourcing Solution
- ✓ Obsolete Management
- ✓ Cost Control Management
- ✓ Shortage Management
- ✓ Alternative Solution
- ✓ Excess Inventory Management