



**THE DATASHEET OF
EZ1580CTT**



POWER MANAGEMENT
Description

The EZ158X family of high performance positive voltage regulators are designed for use in applications requiring very low dropout voltage at up to 7, 5, 3 and 1.5 amps. Capable of supplying up to 2.8V on boards where both 5V and 3.3V supplies are available, the superior dropout characteristics of the EZ158X result in reduced heat dissipation compared to regular LDOs. This allows for heatsink size reduction or elimination. Additionally, the EZ158X provides excellent regulation over variations in line, load and temperature. Remote sense operation allows compensating for trace, connector and other resistive losses.

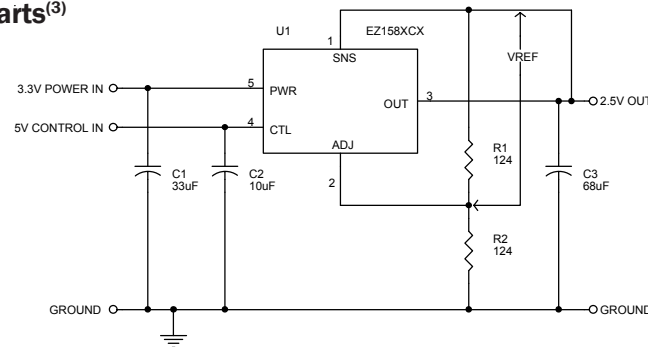
Outstanding features include very low dropout performance at rated current, fast transient response, remote sense, internal current limiting, thermal shutdown and safe operating area protection of the output device. The EZ158X is a five terminal adjustable or fixed 2.5V voltage regulator available in the popular 5 pin TO-220 and TO-263 plastic packages.

Features

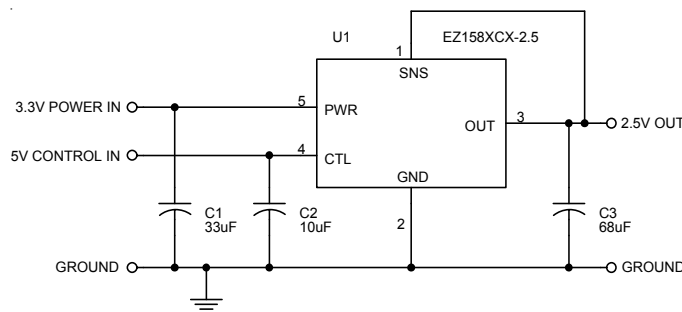
- ◆ 540mV dropout @ 7A in dual supply mode (EZ1580)
- ◆ Remote sense operation
- ◆ Fast transient response
- ◆ 0.5% initial accuracy
- ◆ Line regulation typically 0.08%
- ◆ Load regulation typically 0.08%
- ◆ 5 Pin TO-220 and TO-263 packages

Applications

- ◆ Microprocessor supplies
- ◆ Split plane microprocessor supplies
- ◆ Advanced graphics cards
- ◆ Sound cards
- ◆ Low voltage logic supplies
- ◆ Switching power supply post regulation

Typical Application Circuits
Adjustable Output Parts⁽³⁾


$$V_{OUT} = V_{REF} \left(1 + \frac{R2}{R1} \right) + I_{ADJ} \cdot R2$$

Fixed Output Parts

Notes:

- (1) Capacitor values are for reference only. Good quality, low ESR tantalum or aluminum electrolytic capacitors should be used. Increasing the value of the output capacitor will improve the overall transient response.
- (2) If the same voltage is input to both PWR and CTL, then the dropout voltage will become 1.3V maximum.
- (3) A small (~0.033µF) capacitor can be used to bypass the ADJ pin to improve transient response, if needed.

POWER MANAGEMENT
Absolute Maximum Ratings

| Parameter | Symbol | Maximum | Units |
|---|---------------|--------------------|-------|
| Power Input Voltage | V_{PWR} | 7 | V |
| Control Input Voltage | V_{CTL} | 13.2 | V |
| Power Dissipation | P_D | Internally Limited | W |
| Thermal Resistance Junction to Ambient EZ158X TO-220 EZ158X TO-263 | θ_{JA} | 50 60 | °C/W |
| Thermal Resistance Junction to Case EZ1580/1 (TO-220 & TO-263) EZ1582/3 (TO-220 & TO-263) | θ_{JC} | 2 3 | °C/W |
| Operating Junction Temperature Range | T_J | 0 to +125 | °C |
| Storage Temperature Range | T_{STG} | -65 to +150 | °C |
| Lead Temperature (Soldering) 10 Sec. | T_{LEAD} | 300 | °C |
| ESD Rating (Human Body Model) | ESD | 2 | kV |

Electrical Characteristics⁽⁷⁾

Unless specified: $V_{OUT} = V_{SNS}$, $V_{ADJ} = 0V$, $C_{CTL} = C_{PWR} = C_{OUT} = 10\mu F$. Values in **bold** apply over full operating temperature range.

| Parameter | Symbol | Test Conditions | Min | Typ | Max | Units |
|--|---------------------|--|--------------|-------------|--------------|-------|
| Reference Voltage ⁽¹⁾ (Adj. Voltage Versions) | V_{REF} | $V_{PWR} = 2.05V$, $V_{CTL} = 4.5V$, $I_{OUT} = 10mA$ | 1.237 | 1.250 | 1.263 | V |
| | | $V_{PWR} = 2.05V$, $V_{CTL} = 4.5V$, $10mA < I_{OUT} < I_{RATED}$ | 1.231 | | 1.269 | |
| Output Voltage ⁽¹⁾ (2.5V Version) | V_{OUT} | $V_{PWR} = 3.3V$, $V_{CTL} = 4.5V$, $I_{OUT} = 10mA$ | -1 | V_{OUT} | +1 | % |
| | | $V_{PWR} = 3.3V$, $V_{CTL} = 4.5V$, $10mA < I_{OUT} < I_{RATED}$ | -1.5 | | +1.5 | |
| Line Regulation ⁽¹⁾ | $REG_{(LINE)}$ | $V_{PWR} = (V_{OUT} + 0.8V)$ to 5.5V, $V_{CTL} = 4.5V$ to 12V, $I_{OUT} = 10mA$ | | 1.0 | 3.0 | mV |
| Load Regulation ⁽¹⁾ | $REG_{(LOAD)}$ | $V_{PWR} = V_{OUT} + 0.8V$, $V_{CTL} = 4.5V$, $I_{OUT} = 10mA$ to I_{RATED} | | 1.0 | 5.0 | mV |
| V_{PWR} Dropout Voltage ⁽¹⁾⁽²⁾ EZ1581, EZ1582, EZ1583 | $V_{PWR} - V_{OUT}$ | $V_{CTL} = 4.75V$, $I_O = I_{RATED}$ | | 0.40 | 0.50 | V |
| | | | | 0.50 | 0.60 | |
| V_{PWR} Dropout Voltage ⁽¹⁾⁽²⁾ EZ1580 | | $V_{CTL} = 4.75V$, $I_O = I_{RATED}$ | | 0.54 | 0.62 | V |
| | | | | 0.70 | 0.80 | |

POWER MANAGEMENT
Electrical Characteristics (Cont.)⁽⁷⁾

Unless specified: $V_{OUT} = V_{SNS}$, $V_{ADJ} = 0V$, $C_{CTL} = C_{PWR} = C_{OUT} = 10\mu F$. Values in **bold** apply over full operating temperature range.

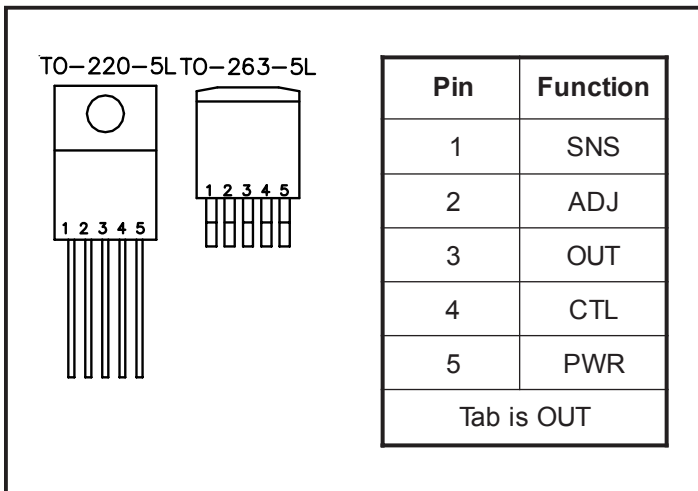
| Parameter | Symbol | Test Conditions | Min | Typ | Max | Units |
|---------------------------------------|-------------------|---|------------|-------|------------|---------|
| Control Pin Current ⁽³⁾ | I_{CTL} | $V_{PWR} = V_{OUT} + 0.8V$, $V_{CTL} = 4.5V$, $I_{OUT} = I_{RATED}$ | | 6 | 120 | mA |
| EZ1583 | | | | 30 | 120 | |
| EZ1582 | | | | 33 | 120 | |
| EZ1581 | | | | 60 | 120 | |
| EZ1580 | | | | | | |
| Adjust Pin Current | I_{ADJ} | $V_{PWR} = 2.05V$, $V_{CTL} = 4.5V$, $I_{OUT} = 10mA$ | | 50 | 120 | μA |
| Minimum Load Current ⁽⁴⁾ | $I_{OUT(MIN)}$ | $V_{PWR} = V_{OUT} + 0.8V$, $V_{CTL} = 5V$ | | 5 | 10 | mA |
| Current Limit | I_{CL} | $V_{PWR} = V_{OUT} + 0.8V$, $V_{CTL} = 4.5V$, $\Delta V_{OUT} = 100mV$ | | | | A |
| EZ1583 | | | 1.6 | | | |
| EZ1582 | | | 3.1 | | | |
| EZ1581 | | | 5.1 | | | |
| EZ1580 | 7.1 | | | | | |
| Ripple Rejection Ratio ⁽⁵⁾ | R_A | $V_{PWR} = V_{CTL} = 5V$, $I_O = I_{RATED}$ | 60 | 80 | | dB |
| Thermal Regulation ⁽⁶⁾ | $REG_{(THERMAL)}$ | | | 0.002 | 0.02 | %/W |

NOTES:

- (1) Low duty cycle pulse testing with Kelvin connections required.
- (2) Minimum input to output voltage differential required to maintain 1% regulation.
- (3) Current used to drive the output section.
- (4) Required to maintain regulation. Resistor divider R1, R2 is usually utilized for minimum load current.
- (5) $V_{RIPPLE} = 1V_{PK-PK}$, 120Hz.
- (6) 30ms.
- (7) $I_{RATED} = 1.5A$ for EZ1583, 3A for EZ1582, 5A for EZ1581 and 7A for EZ1580.

POWER MANAGEMENT

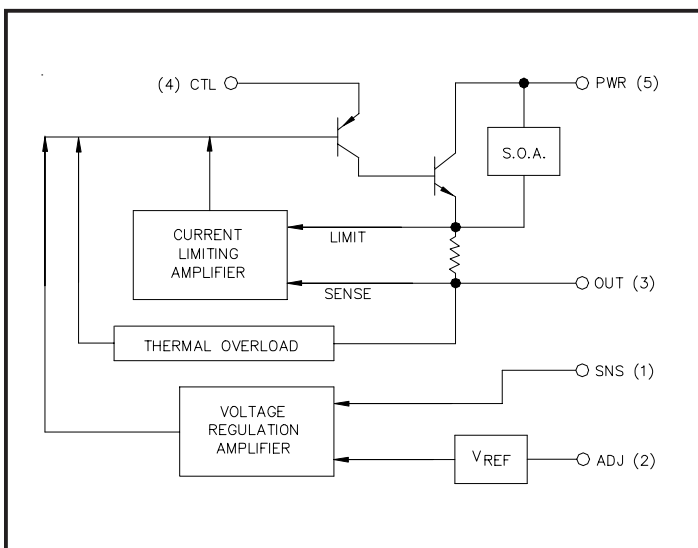
Pin Configurations



Ordering Information

| Device ⁽¹⁾ | Package | I _{OUT} (A) |
|--------------------------------|------------------------------|----------------------|
| EZ1580CT-X.X | TO-220, 5-pin ⁽²⁾ | 7 |
| EZ1581CT-X.X | | 5 |
| EZ1582CT-X.X | | 3 |
| EZ1583CT-X.X | | 2.5 |
| EZ1580CM-X.X.TR | TO-263, 5-pin ⁽³⁾ | 7 |
| EZ1581CM-X.X.TR | | 5 |
| EZ1582CM-X.X.TR | | 3 |
| EZ1583CM-X.X.TR | | 2.5 |
| EZ1583CMTRT ⁽⁴⁾ | | - |
| EZ158xCM-X.XTRT ⁽⁴⁾ | | - |

Block Diagram



Notes:

- (1) Where -X.X denotes voltage options. Available voltage is: 2.5V. Leave blank for adjustable version (1.3 to 5.7V).
- (2) Only available in tube packaging. A tube contains 50 devices.
- (3) Only available in tape and reel packaging. A reel contains 800 devices.
- (4) This product is fully WEEE and RoHS compliant. Where x = 0; 1; 2 or 3. X.X denotes voltage options.

Pin Descriptions

| Pin # | Symbol | Pin Name | Pin Function |
|-------|--------|----------|--|
| 1 | SNS | SENSE | This pin is the positive side of the reference voltage for this device. With this pin it is possible to Kelvin sense the output voltage at the load. |
| 2 | ADJ | ADJUST | This pin is the negative side of the reference voltage for this device. Transient response can be improved by adding a small bypass capacitor from the adjust pin to ground. |
| 3 | OUT | OUTPUT | This is the power output of the device. This pin is electrically connected to the tab. |
| 4 | CTL | CONTROL | This pin is the supply pin for the control circuitry for the device. The current flow into this pin will be approximately 1% of the output current. For the device to regulate, the voltage on this pin must be between 1.0V and 1.3V greater than the output voltage. |
| 5 | PWR | POWER | This is the collector input to the power device of the EZ1583. The output load current is supplied through this pin. For the device to regulate, the voltage on this pin must be between 0.1V and 0.8V greater than the output voltage, depending upon load current. |

POWER MANAGEMENT

Applications Information

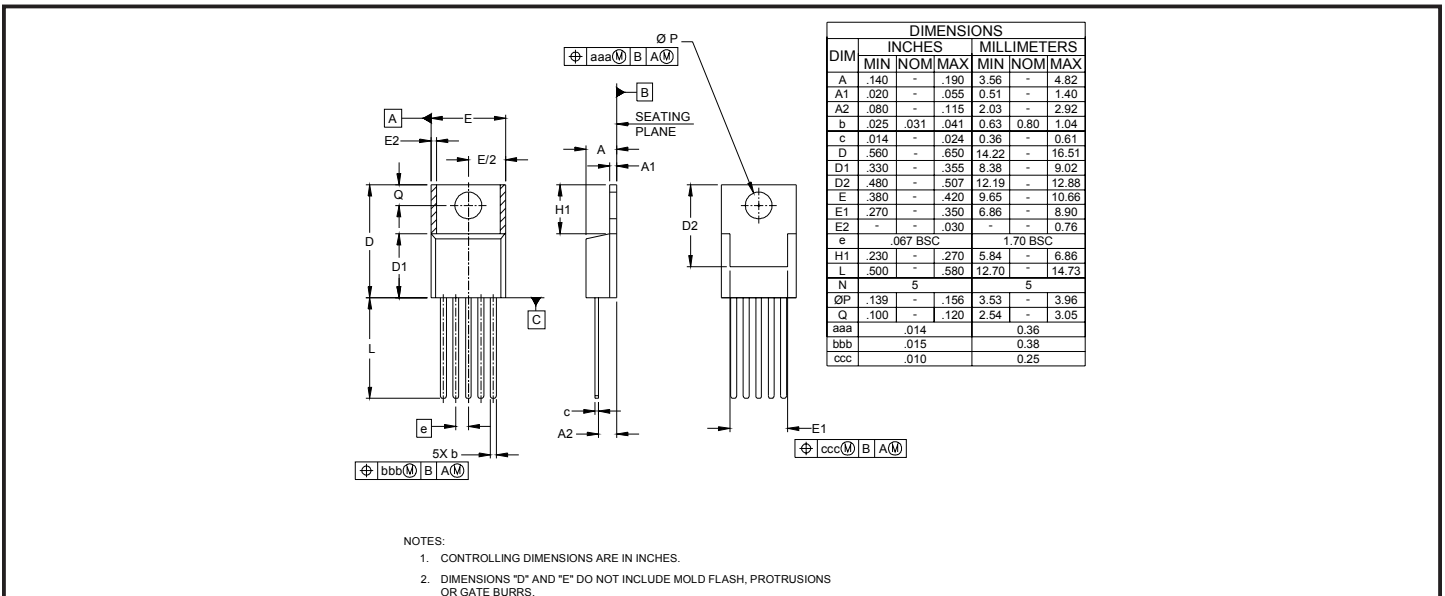
The EZ158X is a low dropout regulator designed to power low voltage microcontrollers, graphics ICs, sound cards etc.

The dropout voltage is minimized by utilizing a separate input voltage, V_{CTL} , which should exceed V_{OUT} by at least 1.3V. The 2.5V (for example) power for the load can be derived from a 3.3V system supply. Since the efficiency of a linear regulator is the ratio of the output to the input voltage, heat dissipation is reduced by using a 3.3V input (versus a 5V one), thereby lowering heatsink and cooling

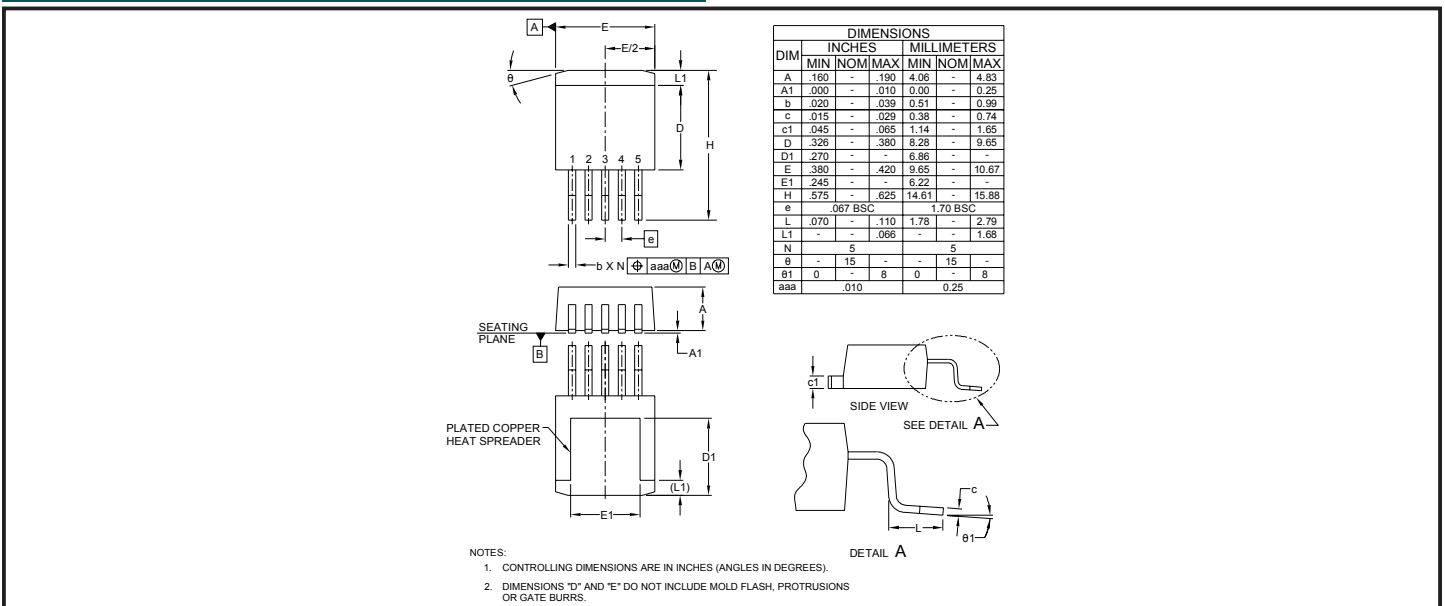
fan costs. For lower current applications, the heatsink might be eliminated altogether. For a load of 7A at 2.5V, the regulator would dissipate 17.5W when converting from 5V, but only 5.6W from a 3.3V input.

Remote Kelvin sensing of the output voltage can be achieved by connecting the sense pin to the output at the load. Remote sensing will reduce errors associated with resistive trace losses between regulator and processor.

Outline Drawing - T0-220-5

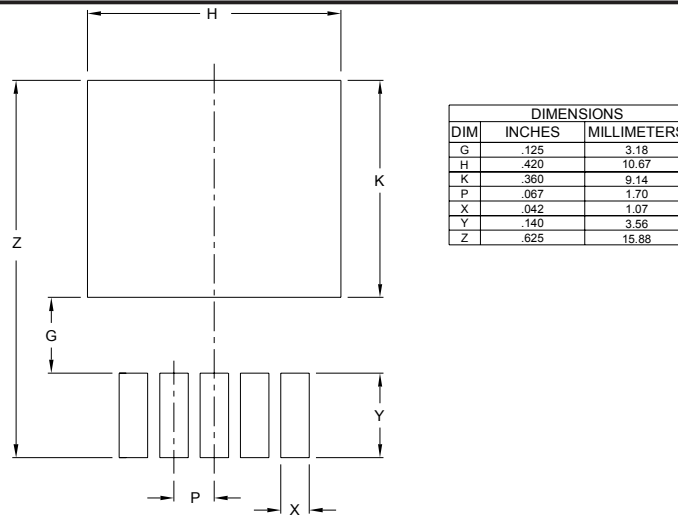


Outline Drawing - T0-263-5



POWER MANAGEMENT

Minimum Land Pattern - T0-263-5



| DIMENSIONS | | |
|------------|--------|-------------|
| DIM | INCHES | MILLIMETERS |
| G | .125 | 3.18 |
| H | .420 | 10.67 |
| K | .360 | 9.14 |
| P | .067 | 1.70 |
| X | .042 | 1.07 |
| Y | .140 | 3.56 |
| Z | .625 | 15.88 |

NOTES:

1. CONTROLLING DIMENSIONS ARE IN INCHES (ANGLES IN DEGREES).
2. THIS LAND PATTERN IS FOR REFERENCE PURPOSES ONLY
CONSULT YOUR MANUFACTURING GROUP TO ENSURE YOUR
COMPANY'S MANUFACTURING GUIDELINES ARE MET.

Contact Information

Semtech Corporation
Power Management Products Division
200 Flynn Road, Camarillo, CA 93012
Phone: (805)498-2111 FAX (805)498-3804

Looking for pricing, stock, or lifecycle information?

Click below to explore more details on WIN SOURCE:

- ⊖ [View EZ1580CTT on WIN SOURCE](#)
- ⊖ [Semtech Corporation](#) Information

Optimize Your Supply Chain with WIN SOURCE Solutions

- ✓ Global Sourcing Solution
- ✓ Obsolete Management
- ✓ Cost Control Management
- ✓ Shortage Management
- ✓ Alternative Solution
- ✓ Excess Inventory Management