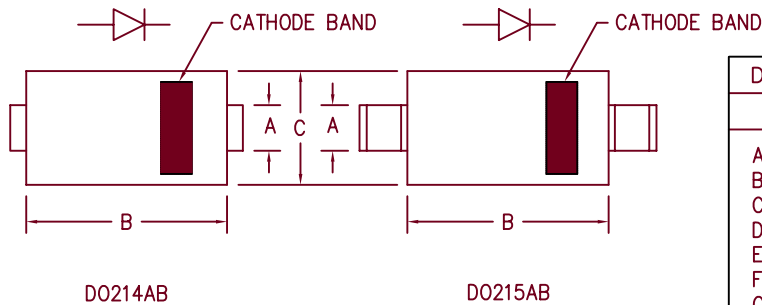




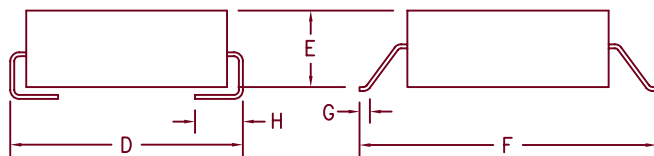
**THE DATASHEET OF  
LSM845JE3/TR13**



# 8 Amp Schottky Rectifier LSM835 — LSM845



Dim.	Inches		Millimeter		Notes
	Minimum	Maximum	Minimum	Maximum	
A	.117	.123	2.97	3.12	
B	.260	.280	6.60	7.11	
C	.220	.245	5.59	6.22	
D	.307	.322	7.80	8.18	
E	.075	.095	1.91	2.41	
F	.380	.400	9.65	10.16	
G	.025	.040	.640	1.02	
H	.030	.060	.760	1.52	



Microsemi Catalog Number	Working Working Peak Reverse Voltage	Repetitive Repetitive Peak Reverse Voltage
LSM835*	35V	35V
LSM840*	40V	40V
LSM845*	45V	45V

\*Add Suffix J For J Lead or G For Gull Wing Lead Configuration

- Schottky Barrier Rectifier
- Guard Ring Protection
- Low Forward Voltage
- 150°C Junction Temperature
- $V_{RRM}$  35 to 45 Volts
- High Current Capability

Electrical Characteristics		
Average forward current	$I_F(AV)$ 8.0 Amps	Square wave
Maximum surge current	$I_F(AV)$ 350 Amps	8.3 ms, half sine, $T_J = 150^\circ C$
Max peak forward voltage	$V_{FM}$ .40 Volts	$I_{FM} = 8.0A; T_J = 150^\circ C$ *
Max peak forward voltage	$V_{FM}$ .52 Volts	$I_{FM} = 8.0A; T_J = 25^\circ C$ *
Max peak reverse current	$I_{RM}$ 2 mA	$V_{RRM}, T_J = 25^\circ C$
Typical junction capacitance	$C_J$ 575 pF	$V_R = 5.0V, T_J = 25^\circ C$

\* Pulse test: Pulse width 300  $\mu$ sec, Duty cycle 2%

Thermal and Mechanical Characteristics		
Storage temperature range	$T_{STG}$	-55°C to 175°C
Operating junction temp range	$T_J$	-55°C to 150°C
Maximum thermal resistance	$R_{\theta JL}$	20°C/W Junction to lead
Weight		.008 ounces (.22 grams) typical



8700 East Thomas Road, P.O. Box 1390  
Scottsdale, AZ 85252  
PH: (480) 941-6300  
FAX: (480) 947-1503  
www.microsemi.com

05-17-07 Rev. 3

# LSM835 — LSM845

Figure 1  
Typical Forward Characteristic

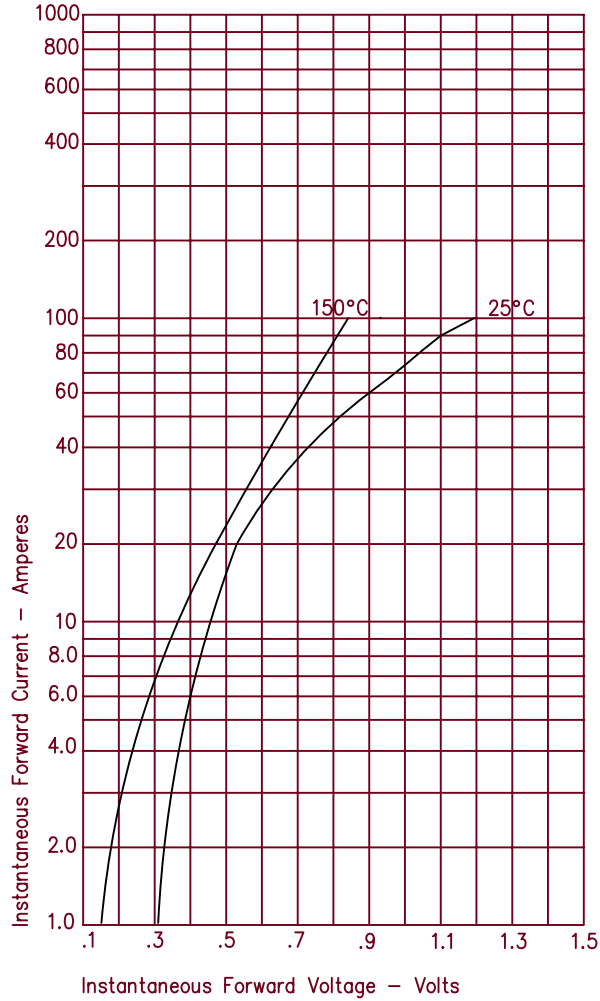


Figure 3  
Typical Junction Capacitance

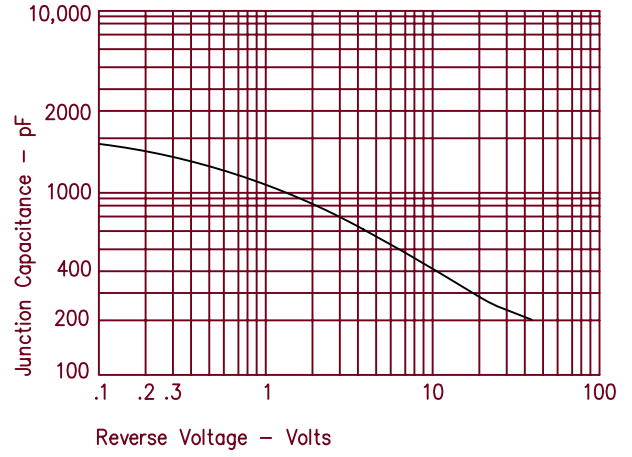
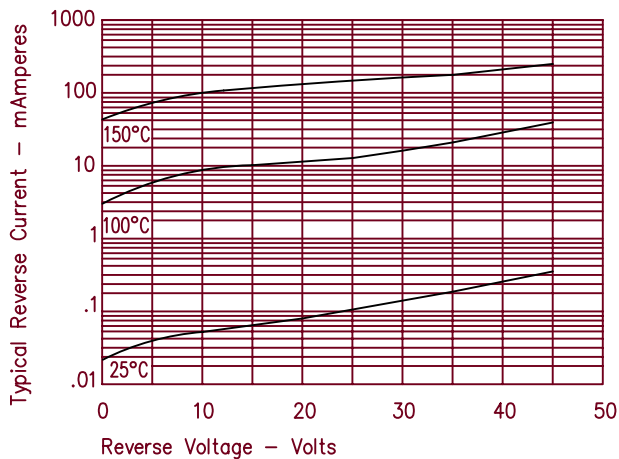


Figure 2  
Typical Reverse Characteristics



## Looking for pricing, stock, or lifecycle information?

Click below to explore more details on WIN SOURCE:

- ⊖ [View LSM845JE3/TR13 on WIN SOURCE](#)
- ⊖ [Microsemi Corporation](#) Information

## Optimize Your Supply Chain with WIN SOURCE Solutions

- ✓ Global Sourcing Solution
- ✓ Obsolete Management
- ✓ Cost Control Management
- ✓ Shortage Management
- ✓ Alternative Solution
- ✓ Excess Inventory Management