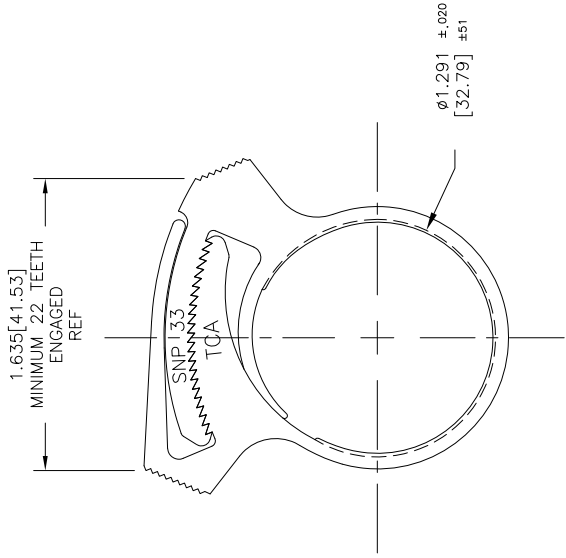


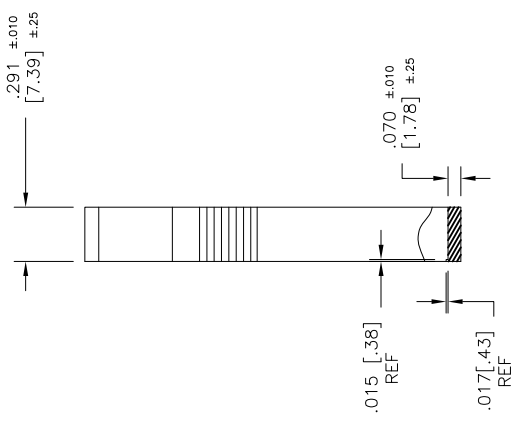
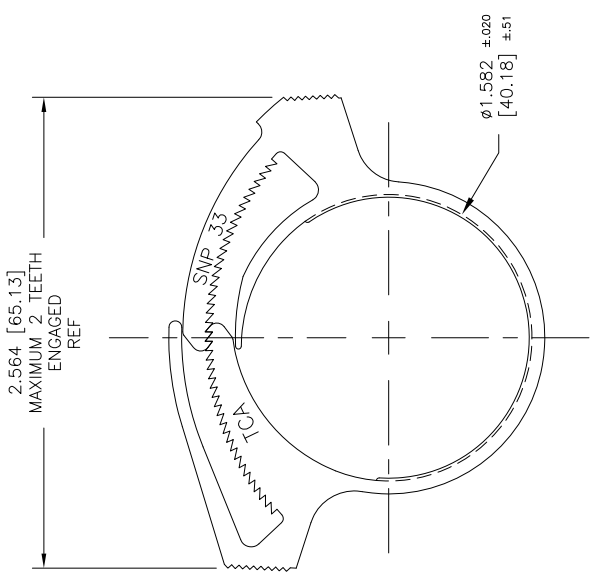


**THE DATASHEET OF  
SNP3310H4**





AS MOLDED



**HellermannTyton**

ALL PROPRIETARY RIGHTS IN THE SUBJECT MATTER SHOWN ON THIS DRAWING ARE EXCLUSIVE PROPERTY OF HELLERMANNITYTON

name \_\_\_\_\_ date \_\_\_\_\_ city, state \_\_\_\_\_

NOTES

- NOTE: 1. INSIDE DIAMETERS ARE MEASURED IN THREE PLACES SPACED 120° APART EXCLUDING .015 RIB.
- 2. 44 TOTAL TEETH, 22 TEETH POSITIONS.

REVISIONS  
 level 01  
 date 11/24/08  
 by AAC  
 ECN # 011186  
 part level -

DIMENSIONS unless otherwise specified  
 T, .XXX= NOTED  
 O, .XX= .X=  
 E, R, A, N, .X=  
 S, C, S, L=  
 units inches

number name material  
 SNP3310 SNAP HOSE

INVENTORY

## Looking for pricing, stock, or lifecycle information?

Click below to explore more details on WIN SOURCE:

 [View SNP3310H4 on WIN SOURCE](#)

 [HellermannTyton Information](#)

## Optimize Your Supply Chain with WIN SOURCE Solutions

-  Global Sourcing Solution
-  Obsolete Management
-  Cost Control Management
-  Shortage Management
-  Alternative Solution
-  Excess Inventory Management