



# THE DATASHEET OF FQPF3P20



## FEATURES

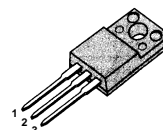
- Advanced New Design
- Avalanche Rugged Technology
- Rugged Gate Oxide Technology
- Very Low Intrinsic Capacitances
- Excellent Switching Characteristics
- Unrivalled Gate Charge: 6.0nC (Typ.)
- Extended Safe Operating Area
- Lower  $R_{DS(ON)}$ : 2.06 $\Omega$  (Typ.)

$$BV_{DSS} = -200V$$

$$R_{DS(ON)} = 2.7\Omega$$

$$I_D = -2.2A$$

TO-220F



1. Gate 2. Drain 3. Source

## ABSOLUTE MAXIMUM RATINGS

Symbol	Characteristics	Value	Units
$V_{DSS}$	Drain-to-Source Voltage	-200	V
$I_D$	Continuous Drain Current ( $T_C = 25^\circ\text{C}$ )	-2.2	A
	Continuous Drain Current ( $T_C = 100^\circ\text{C}$ )	-1.39	
$I_{DM}$	Drain Current-Pulsed ①	-8.8	A
$V_{GS}$	Gate-to-Source Voltage	$\pm 30$	V
$E_{AS}$	Single Pulsed Avalanche Energy ②	150	mJ
$I_{AR}$	Avalanche Current ①	-2.2	A
$E_{AR}$	Repetitive Avalanche Energy ①	3.2	mJ
dv/dt	Peak Diode Recovery dv/dt ③	-5.5	V/ns
$P_D$	Total Power Dissipation ( $T_C = 25^\circ\text{C}$ )	32	W
	Linear Derating Factor	0.26	
$T_J, T_{STG}$	Operating Junction and Storage Temperature Range	-55 to +150	$^\circ\text{C}$
$T_L$	Maximum Lead Temp. for Soldering Purposes, 1/8" from case for 5-seconds	300	

## THERMAL RESISTANCE

Symbol	Characteristics	Typ.	Max.	Units
$R_{\theta JC}$	Junction-to-Case	-	3.9	$^\circ\text{C}/\text{W}$
$R_{\theta JA}$	Junction-to-Ambient	-	62.5	

**ELECTRICAL CHARACTERISTICS** ( $T_C = 25^\circ\text{C}$  unless otherwise specified)

Symbol	Characteristics	Min.	Typ.	Max.	Units	Test Conditions
$BV_{DSS}$	Drain-Source Breakdown Voltage	-200	-	-	V	$V_{GS}=0V, I_D=-250\mu A$
$\Delta BV/\Delta T_J$	Breakdown Voltage Temp. Coeff.	-	-0.18	-	V/ $^\circ\text{C}$	$I_D=-250\mu A$ , <b>See Fig 7</b>
$V_{GS(th)}$	Gate Threshold Voltage	-3.0	-	-5.0	V	$V_{DS}=-5V, I_D=-250\mu A$
$I_{GSS}$	Gate-Source Leakage, Forward	-	-	-100	nA	$V_{GS}=-30V$
	Gate-Source Leakage, Reverse	-	-	100		$V_{GS}=30V$
$I_{DSS}$	Drain-to-Source Leakage Current	-	-	-1	$\mu A$	$V_{DS}=-200V$
		-	-	-10		$V_{DS}=-160V, T_C=125^\circ\text{C}$
$R_{DS(on)}$	Static Drain-Source On-State Resistance	-	2.06	2.7	$\Omega$	$V_{GS}=-10V, I_D=-1.1A$ ④
$g_{fs}$	Forward Transconductance	-	1.15	-	S	$V_{DS}=-40V, I_D=-1.1A$ ④
$C_{iss}$	Input Capacitance	-	190	250	pF	$V_{GS}=0V, V_{DS}=-25V$ $f=1\text{MHz}$ <b>See Fig 5</b>
$C_{oss}$	Output Capacitance	-	45	60		
$C_{rss}$	Reverse Transfer Capacitance	-	7.5	10		
$t_{d(on)}$	Turn-On Delay Time	-	8.5	25	ns	$V_{DD}=-100V, I_D=-2.8A$ $R_G=50\Omega$ <b>See Fig 13</b> ④ ⑤
$t_r$	Rise Time	-	35	80		
$t_{d(off)}$	Turn-Off Delay Time	-	12	35		
$t_f$	Fall Time	-	25	60		
$Q_g$	Total Gate Charge	-	6.0	8.0	nC	$V_{DS}=-160V, V_{GS}=-10V$ $I_D=-2.8A$ <b>See Fig 6 &amp; Fig 12</b> ④ ⑤
$Q_{gs}$	Gate-Source Charge	-	1.7	-		
$Q_{gd}$	Gate-Drain (Miller) Charge	-	2.9	-		

**SOURCE-DRAIN DIODE RATINGS AND CHARACTERISTICS**

Symbol	Characteristics	Min.	Typ.	Max.	Units	Test Conditions
$I_S$	Continuous Source Current	-	-	-2.2	A	Integral reverse pn-diode in the MOSFET
$I_{SM}$	Pulsed-Source Current ①	-	-	-8.8		
$V_{SD}$	Diode Forward Voltage ④	-	-	-5.0	V	$T_J=25^\circ\text{C}, I_S=-2.2A, V_{GS}=0V$
$t_{rr}$	Reverse Recovery Time	-	100	-	ns	$T_J=25^\circ\text{C}, I_F=-2.8A, V_{DD}=-160V$
$Q_{rr}$	Reverse Recovery Charge	-	0.34	-	$\mu\text{C}$	$di_F/dt=100A/\mu\text{s}$ ④

**Notes:**

- ① Repetitive Rating: Pulse Width Limited by Maximum Junction Temperature
- ②  $L=46.5\text{mH}, I_{AS}=-2.2A, V_{DD}=-50V, R_G=25\Omega$ , Starting  $T_J=25^\circ\text{C}$
- ③  $I_{SD} \leq -2.8A, di/dt \leq 300A/\mu\text{s}, V_{DD} \leq BV_{DSS}$ , Starting  $T_J=25^\circ\text{C}$
- ④ Pulse Test: Pulse Width  $\leq 300\mu\text{s}$ , Duty Cycle  $\leq 2\%$
- ⑤ Essentially Independent of Operating Temperature

Fig 1. Output Characteristics

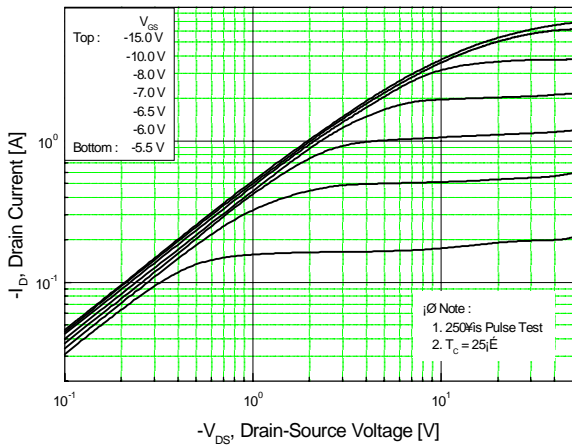


Fig 2. Transfer Characteristics

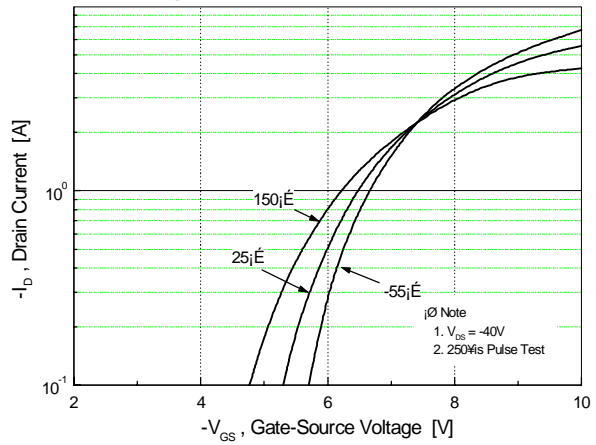


Fig 3. On-Resistance vs. Drain Current

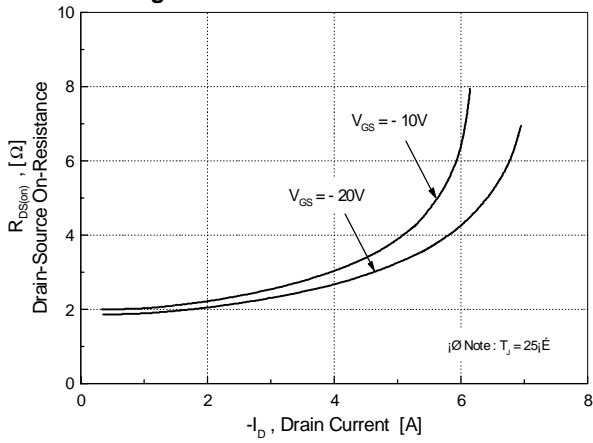


Fig 4. Source-Drain Diode Forward Voltage

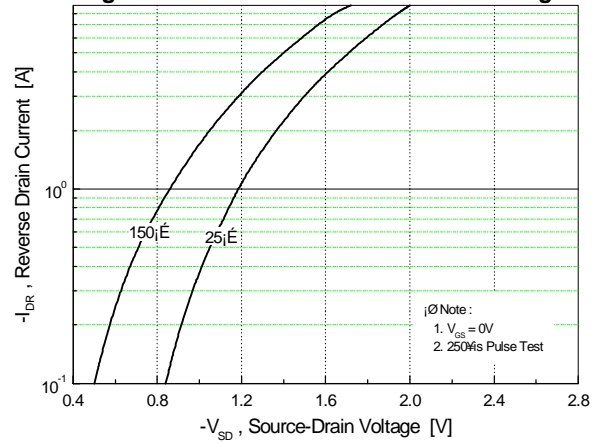


Fig 5. Capacitance vs. Drain-Source Voltage

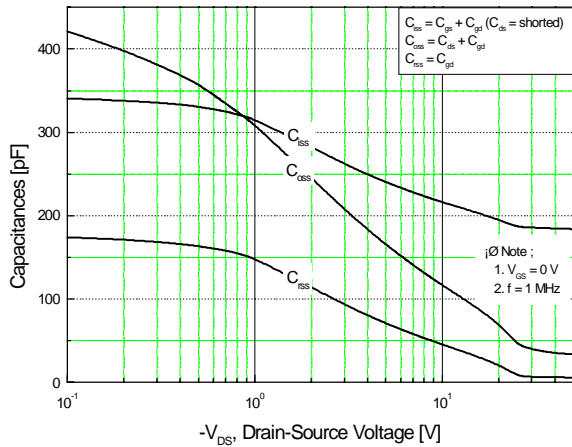


Fig 6. Gate Charge vs. Gate-Source Voltage

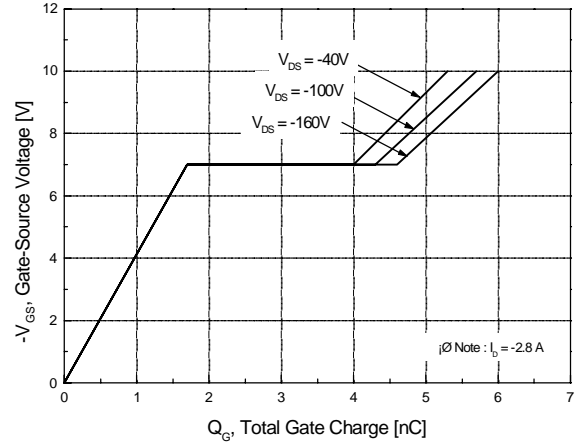


Fig 7. Breakdown Voltage vs. Temperature

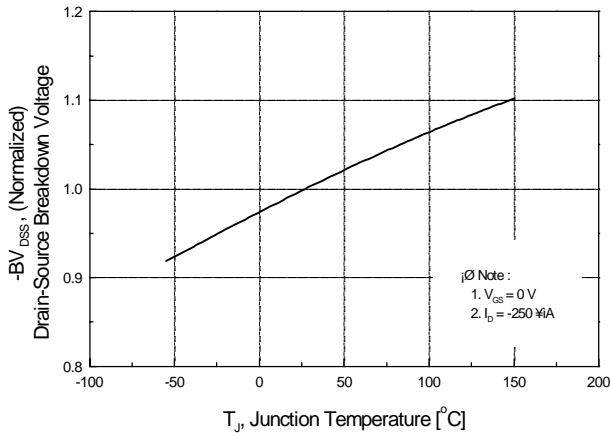


Fig 8. On-Resistance vs. Temperature

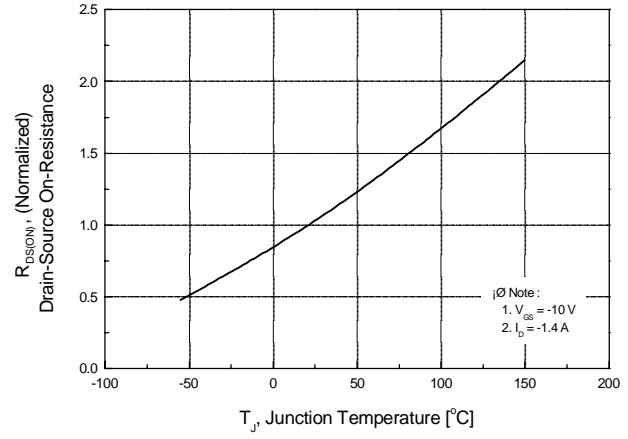


Fig 9. Max. Safe Operating Area

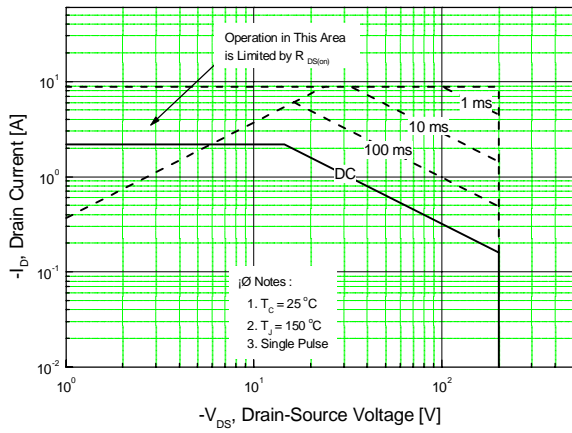


Fig 10. Max. Drain Current vs. Case Temperature

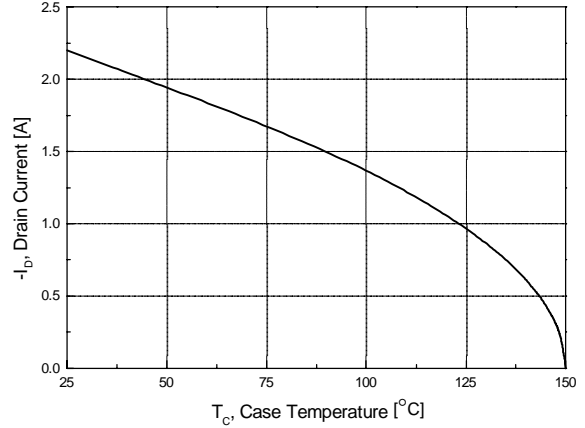


Fig 11. Thermal Response

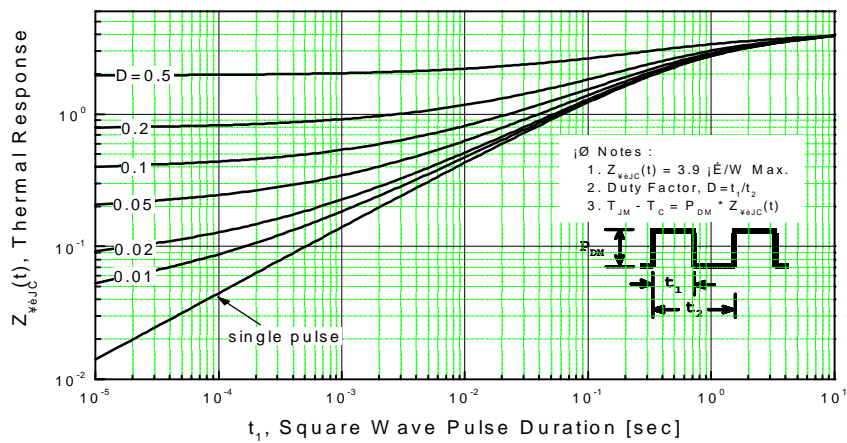


Fig 12. Gate Charge Test Circuit & Waveform

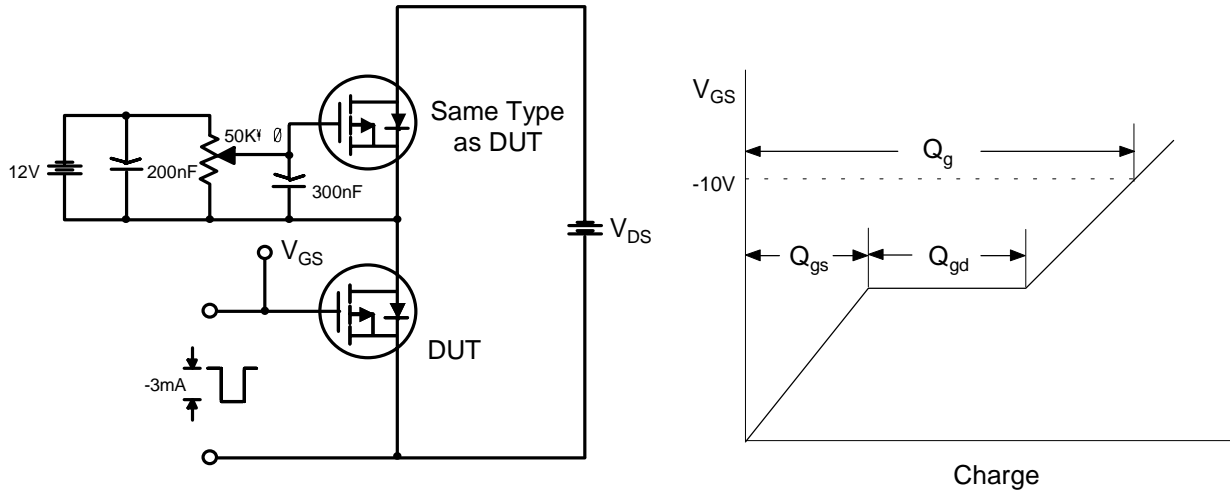


Fig 13. Resistive Switching Test Circuit & Waveforms

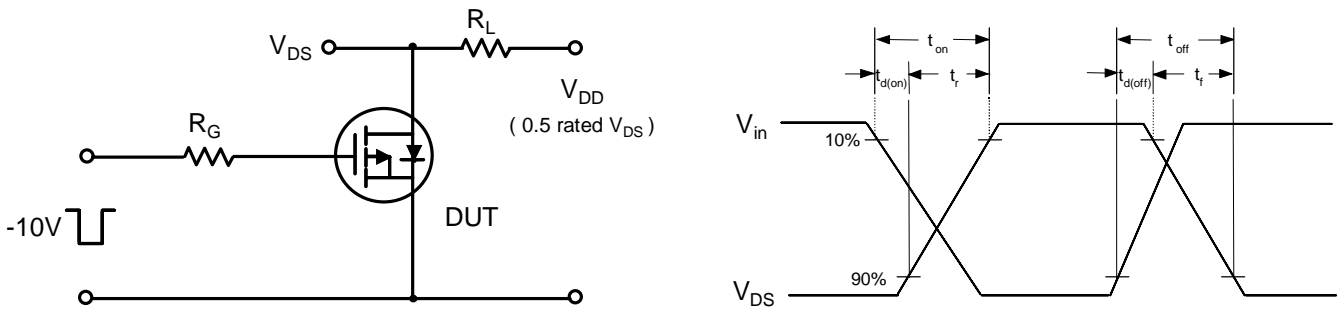


Fig 14. Unclamped Inductive Switching Test Circuit & Waveforms

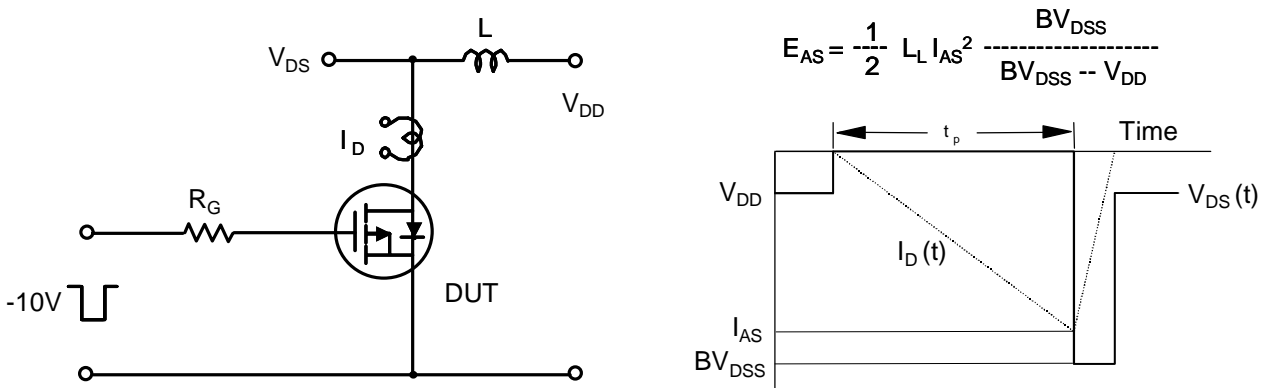
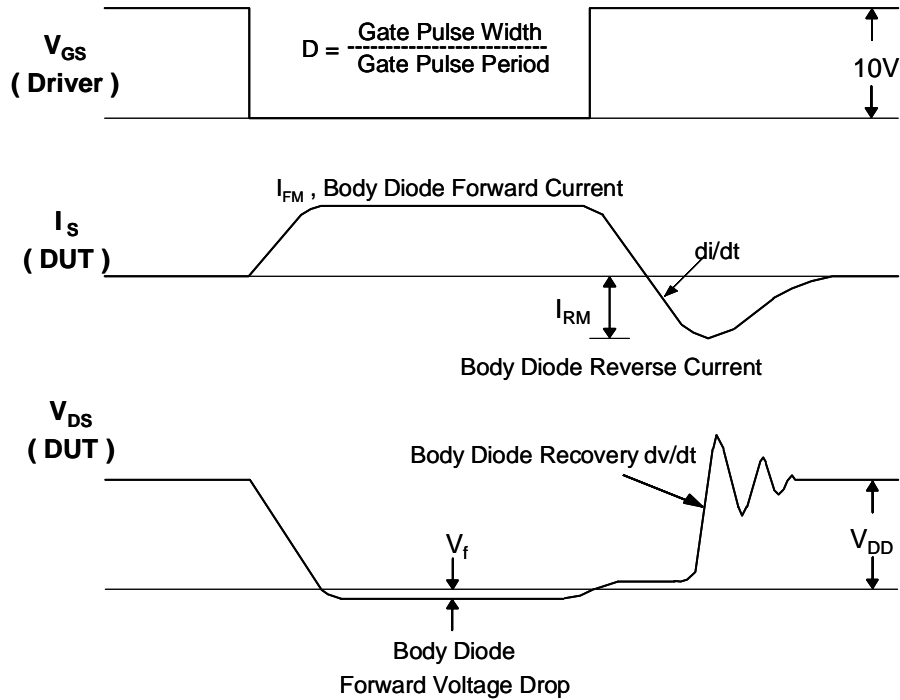
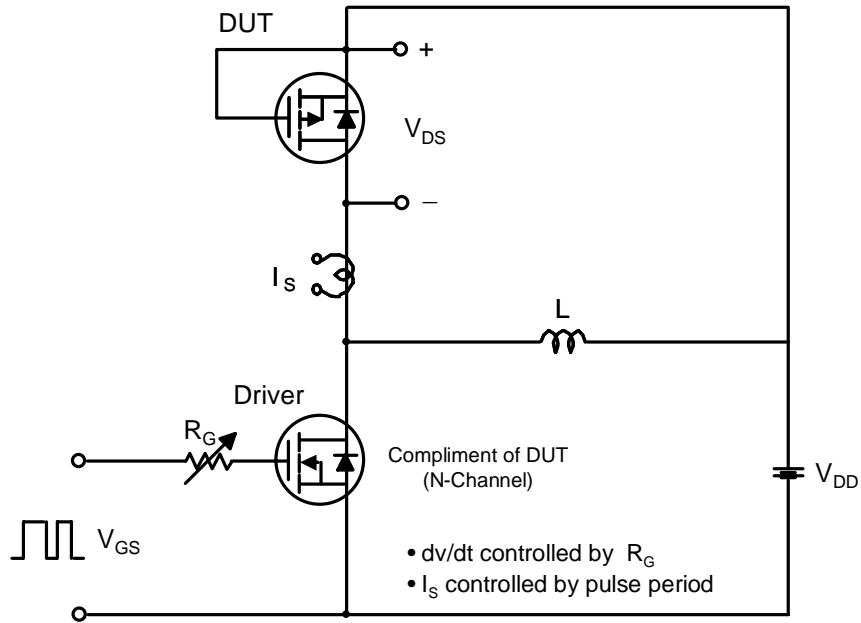
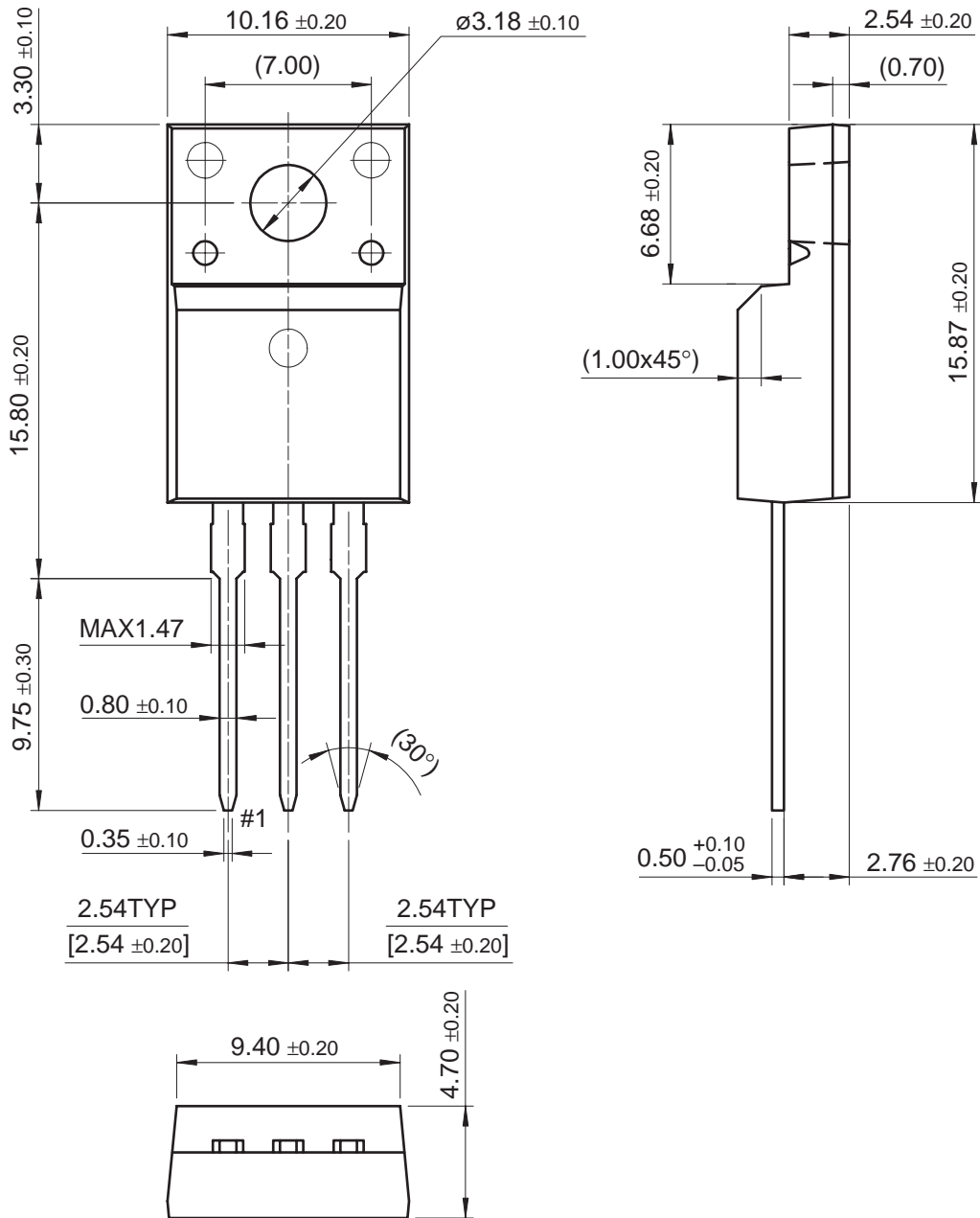


Fig 15. Peak Diode Recovery dv/dt Test Circuit & Waveforms



TO-220F Package Dimensions

TO-220F (FS PKG CODE AQ)



Dimensions in Millimeters

September 1999, Rev B

## TRADEMARKS

The following are registered and unregistered trademarks Fairchild Semiconductor owns or is authorized to use and is not intended to be an exhaustive list of all such trademarks.

ACEx™	ISOPLANAR™	TinyLogic™
CoolFET™	MICROWIRE™	UHC™
CROSSVOLT™	POP™	VCX™
E <sup>2</sup> CMOS™	PowerTrench®	
FACT™	QFET™	
FACT Quiet Seties™	QS™	
FAST®	Quiet Series™	
FASTr™	SuperSOT™-3	
GTO™	SuperSOT™-6	
HiSeC™	SuperSOT™-8	

## DISCLAIMER

FAIRCHILD SEMICONDUCTOR RESERVES THE RIGHT TO MAKE CHANGES WITHOUT FURTHER NOTICE TO ANY PRODUCTS HEREIN TO IMPROVE RELIABILITY, FUNCTION OR DESIGN. FAIRCHILD DOES NOT ASSUME ANY LIABILITY ARISING OUT OF THE APPLICATION OR USE OF ANY PRODUCT OR CIRCUIT DESCRIBED HEREIN; NEITHER DOES IT CONVER ANY LICENSE UNDER ITS PATENT RIGHTS, NOR THE RIGHTS OF OTHERS.

## LIFE SUPPORT POLICY

FAIRCHILD'S PRODUCTS ARE NOT AUTHORIZED FOR USE AS CRITICAL COMPONENTS IN LIFE SUPPORT DEVICES OR SYSTEMS WITHOUT THE EXPRESS WRITTEN APPROVAL OF FAIRCHILD SEMICONDUCTOR CORPORATION.

As used herein:

1. Life support devices or systems are devices or systems which, (a) are intended for surgical implant into the body, or (b) support or sustain life, or (c) whose failure to perform when properly used in accordance with instructions for use provided in the labeling, can be reasonably expected to result in significant injury to the user.
2. A critical component is any component of a life support device or system whose failure to perform can be reasonably expected to cause the failure of the life support device or system, or to affect its safety or effectiveness.

## PRODUCT STATUS DEFINITIONS

### Definition of Terms

Datasheet Identification	Product Status	Definition
Advance Information	Formative or In Design	This datasheet contains the design specifications for product development. Specifications may change in any manner without notice.
Preliminary	First Production	This datasheet contains preliminary data, and supplementary data will be published at a later date. Fairchild Semiconductor reserves the right to make changes at any time without notice in order to improve design.
No Identification Needed	Full Production	This datasheet contains final specifications. Fairchild Semiconductor reserves the right to make changes at any time without notice in order to improve design.
Obsolete	Not In Production	The datasheet contains specifications on a product that has been discontinued by Fairchild Semiconductor. The datasheet is printed for reference information only.

## Looking for pricing, stock, or lifecycle information?

Click below to explore more details on WIN SOURCE:

- ⊖ [View FQPF3P20 on WIN SOURCE](#)
- ⊖ [Fairchild/ON Semiconductor Information](#)

## Optimize Your Supply Chain with WIN SOURCE Solutions

- ✓ Global Sourcing Solution
- ✓ Obsolete Management
- ✓ Cost Control Management
- ✓ Shortage Management
- ✓ Alternative Solution
- ✓ Excess Inventory Management