



**THE DATASHEET OF  
CAT874-80ULGT3**



# CAT874

## Smart Phone Battery Switch Controller

### Description

CAT874 is a switch controller designed to start/shut-off smart phones with the push button input or by phone microcontroller unit.

CAT874 monitors two inputs and outputs an active high output after PWR\_ON input has been active (logic low) for a factory preset minimum time. Releasing input from its active state before the minimum timeout period resets the internal timer and must return to being active before the timer will restart with a fresh count down. The output remains high until the next PWR\_ON high-to-low or V<sub>CHG</sub> low-to-high transition.

CAT874's push pull output is capable of sinking up to 3 mA of current.

### Features

- Operate on 1.8 V to 5.5 V Power Supplies
- Ultra Low Quiescent Current: 100 nA (typical)
- Schmitt Trigger Inputs
- Small  $\mu$ LLGA-6 Package: 1.45 x 1.0 x 0.4 mm
- These Devices are Pb-Free, Halogen Free/BFR Free and are RoHS Compliant

### Typical Applications

- Mobile Phones
- PDAs
- MP3 Players
- Personal Navigation Devices

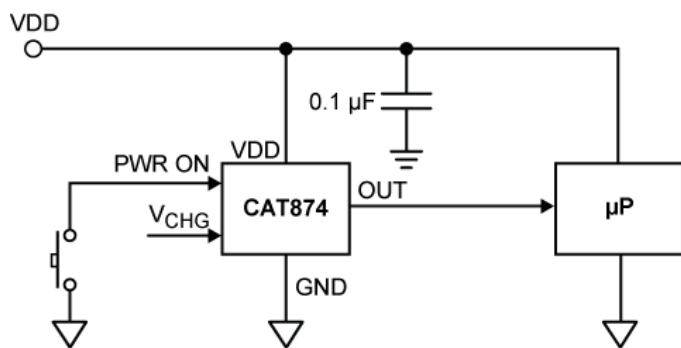
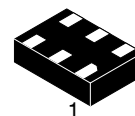


Figure 1. Application Schematic



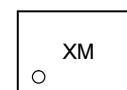
ON Semiconductor®

<http://onsemi.com>



ULLGA-6  
UL SUFFIX  
CASE 613AF

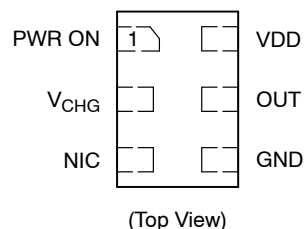
### MARKING DIAGRAM



X = Specific Device Code  
(d = CAT874)  
M = Date Code

"P" written at 180° clockwise rotation

### PIN CONNECTIONS



### ORDERING INFORMATION

See detailed ordering and shipping information in the package dimensions section on page 7 of this data sheet.

# CAT874

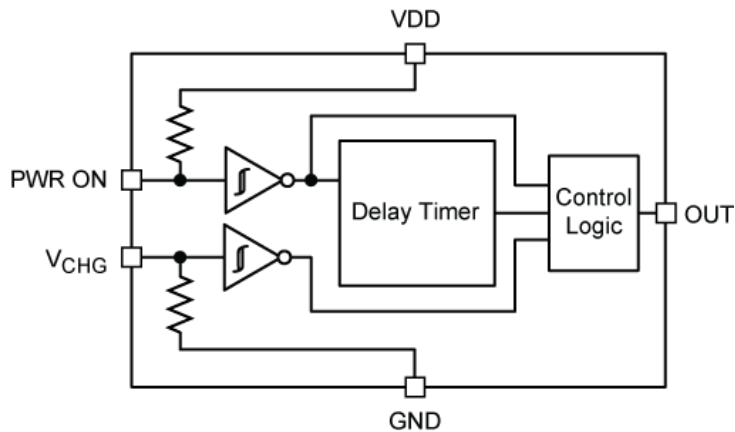


Figure 2. Functional Block Diagram

Table 1. PIN FUNCTION DESCRIPTION

Pin No.	Pin Name	Description
1	PWR_ON	Power ON, CMOS input.
2	V_CHG	Charger IN, CMOS input.
3	NIC	No Internal Connection. A voltage or signal applied to this pin will have no effect on device operation.
4	GND	System Ground.
5	OUT	Drive Output. Active-high push-pull output.
6	VDD	Positive Power Supply.

Table 2. ABSOLUTE MAXIMUM RATINGS

Rating	Symbol	Value	Unit
Input Voltage Range	$V_{DD}$	-0.3 to 6	V
Output Voltage Range	$V_{OUT}$	-0.3 to 6 or ( $V_{DD} + 0.3$ ), whichever is lower	V
Input Voltage; PWR_ON, V_CHG	$V_{IN}$	-0.3 to 6 or ( $V_{DD} + 0.3$ ), whichever is lower	V
Maximum Junction Temperature	$T_{J(max)}$	150	°C
Output Current; OUT	$I_{OUT}$	10	mA
Storage Temperature Range	$T_{STG}$	-65 to 150	°C
ESD Capability, Human Body Model (Note 1)	ESD <sub>HBM</sub>	2	kV
ESD Capability, Machine Model (Note 2)	ESD <sub>MM</sub>	150	V
Lead Temperature Soldering Reflow (SMD Styles Only), Pb-Free Versions (Note 2)	$T_{SLD}$	260	°C

Stresses exceeding Maximum Ratings may damage the device. Maximum Ratings are stress ratings only. Functional operation above the Recommended Operating Conditions is not implied. Extended exposure to stresses above the Recommended Operating Conditions may affect device reliability.

- This device series incorporates ESD protection and is tested by the following methods:  
 ESD Human Body Model tested per AEC-Q100-002 (EIA/JESD22-A114)  
 ESD Machine Model tested per AEC-Q100-003 (EIA/JESD22-A115)  
 Latch-up Current Maximum Rating:  $\leq 150$  mA per JEDEC standard: JESD78
- For information, please refer to our Soldering and Mounting Techniques Reference Manual, SOLDERRM/D

Table 3. RECOMMENDED OPERATING CONDITIONS

Rating	Symbol	Min	Max	Unit
Input Voltage; VDD	$V_{DD}$	1.8	5.5	V
Input Voltage; PWR_ON, V_CHG	$V_{IN}$	0	$V_{DD}$	V
Output Current; OUT	$I_{OUT}$	0	3	mA
Ambient Temperature	$T_A$	-40	85	°C

# CAT874

**Table 4. ELECTRICAL OPERATING CHARACTERISTICS**

( $V_{DD} = 1.8\text{ V}$  to  $5.5\text{ V}$ . For typical values  $T_A = 25^\circ\text{C}$ , for min/max values  $T_A = -40^\circ\text{C}$  to  $+85^\circ\text{C}$  unless otherwise noted.)

Parameter	Test Conditions	Symbol	Min	Typ	Max	Unit
<b>POWER</b>						
$V_{DD}$ Supply Voltage		$V_{DD}$	1.8		5.5	V
Quiescent Supply Current	$PWR\_ON = V_{DD}$ , $V_{CHG} = 0\text{ V}$	$I_{DD}$		100	1000	nA
Operating Supply Current	$PWR\_ON = 0\text{ V}$ , $V_{CHG} = 0\text{ V}$ Measured during setup period. Measurement includes current through internal $200\text{ k}\Omega$ pull-up resistor on $PWR\_ON$				50	$\mu\text{A}$

## LOGIC INPUTS AND OUTPUTS

Input Voltage; HIGH	$PWR\_ON$ , $V_{CHG}$	$V_{IH}$	$0.7 \times V_{DD}$			V
Input Voltage; LOW	$PWR\_ON$ , $V_{CHG}$	$V_{IL}$			$0.25 \times V_{DD}$	V
Hysteresis		$V_{HYS}$		250		mV
Input Current $V_{CHG}$	$V_{CHG} = 0\text{ V}$ ; $V_{DD} = 5\text{ V}$ (internal pull-down)	$I_{IL1}$		50	300	nA
Input Current $V_{CHG}$	$V_{CHG} = 5\text{ V}$ ; $V_{DD} = 5\text{ V}$ (internal pull-down)	$I_{IH1}$		25		$\mu\text{A}$
Input Current $PWR\_ON$	$PWR\_ON = 0\text{ V}$ ; $V_{DD} = 5\text{ V}$ (internal $200\text{ k}\Omega$ pull-up resistor)	$I_{IL2}$		25		$\mu\text{A}$
Input Current $PWR\_ON$	$PWR\_ON = 5\text{ V}$ ; $V_{DD} = 5\text{ V}$ (internal $200\text{ k}\Omega$ pull-up resistor)	$I_{IH2}$		50	300	nA
Output Voltage; HIGH	$I_{SOURCE} = -0.1\text{ mA}$ , $V_{DD} = 1.8\text{ V}$	$V_{OH}$	$V_{DD} - 0.2$			V
Output Voltage; LOW	$I_{SINK} = 3\text{ mA}$ , $V_{DD} = 1.8\text{ V}$	$V_{OL}$		0.1	0.4	V

## TIMING

Input Delay $PWR\_ON$	$T_A = 25^\circ\text{C}$	$t_{low\_delay}$	6.56	8.00	9.44	s
	$T_A = -40^\circ\text{C}$ to $+85^\circ\text{C}$		6.00		10.00	

## TEST MODE ( $V_{DD} = 5\text{ V}$ , $T_A = 25^\circ\text{C}$ ) (Note 3)

Start TEST Window		$t_{ST}$			35	$\mu\text{s}$
Test Mode Delay	$PWR\_ON = 0\text{ V}$ , $V_{CHG} \rightarrow 7$ cycles, delay measured after 8th rising edge of $V_{CHG}$ clock pulse	$t_D$		250		$\mu\text{s}$
Test Mode Clock Frequency	Clock applied to $V_{CHG}$	$f_{tm}$		1		MHz
$PWR\_ON$ Test Mode Clock Setup Time	Measured from $PWR\_ON$ falling edge to first falling edge of $V_{CHG}$	$t_P$	1			$\mu\text{s}$
$V_{CHG}$ Input Voltage; LOW	$V_{CHG}$ , Test Mode Operation	$V_{IL\_TM}$			$0.2 \times V_{DD}$	V
$V_{CHG}$ Pulse Width		$t_{pw}$		500		ns

3. "Test Mode" parameters are not tested in production.

# CAT874

## TIMING WAVEFORMS

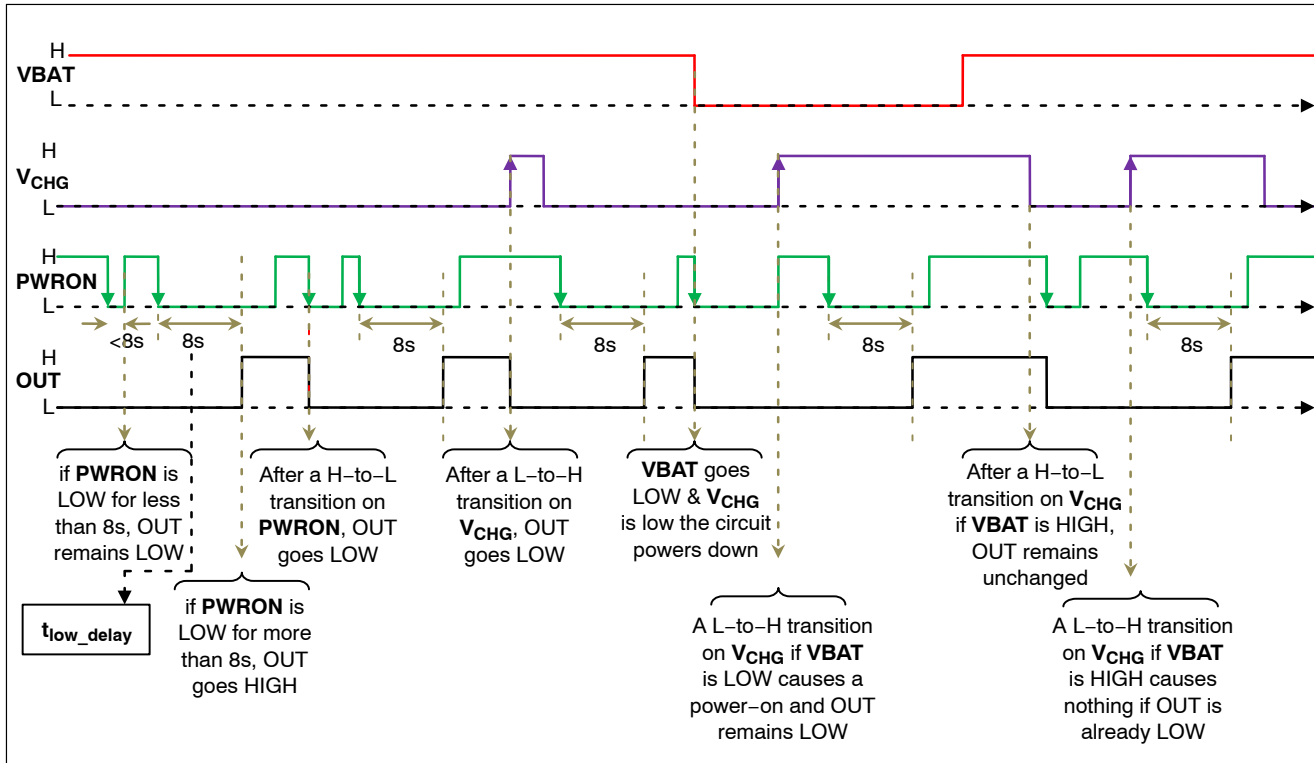


Figure 3. Timing Waveforms

# CAT874

## SYSTEM DESCRIPTION AND APPLICATIONS INFORMATION

### General

CAT874 is designed for the manual switching of microprocessors and microcontrollers. To prevent accidental resets, CAT874 requires PWR\_ON input be held low for a prescribed period before an Active high output is issued to the system processor.

### PWR\_ON and V\_CHG Inputs

PWR\_ON and V\_CHG are Schmitt trigger CMOS inputs. PWR\_ON must go low and stay low for a predetermined period ( $t_{LOW\_DELAY}$ ) to generate an Active high on the output.

V\_CHG is a standard CMOS input with internal pull down resistor 200 k $\Omega$  to keep the input low when charger is not plugged in and PWR\_ON is also a CMOS input with an internal 200 k $\Omega$  pull-up resistor, thus PWR\_ON can be left floating.

When PWR\_ON goes low, an internal timing cycle is initiated. If it goes high before the countdown timer has concluded its cycle, the timer will reset and will restart from the beginning when PWR\_ON returns to being low.

### Output (OUT)

CAT874 provides an active-high push pull output. This output will sink up to 3 mA.

### Delay Timer Testing:

A user test mode is provided to reduce the system test time after the CAT874 is mounted on the board. Instead of waiting  $t_{LOW\_DELAY}$  for the output to go active.

The user brings PWR\_ON low, and sends seven positive edges on the V\_CHG pin in a window of time  $t_{ST}$ . After a delay  $t_D$ , the device output will change state from low to high, and will return to the low state only when there is a high-to-low transition on PWR\_ON.

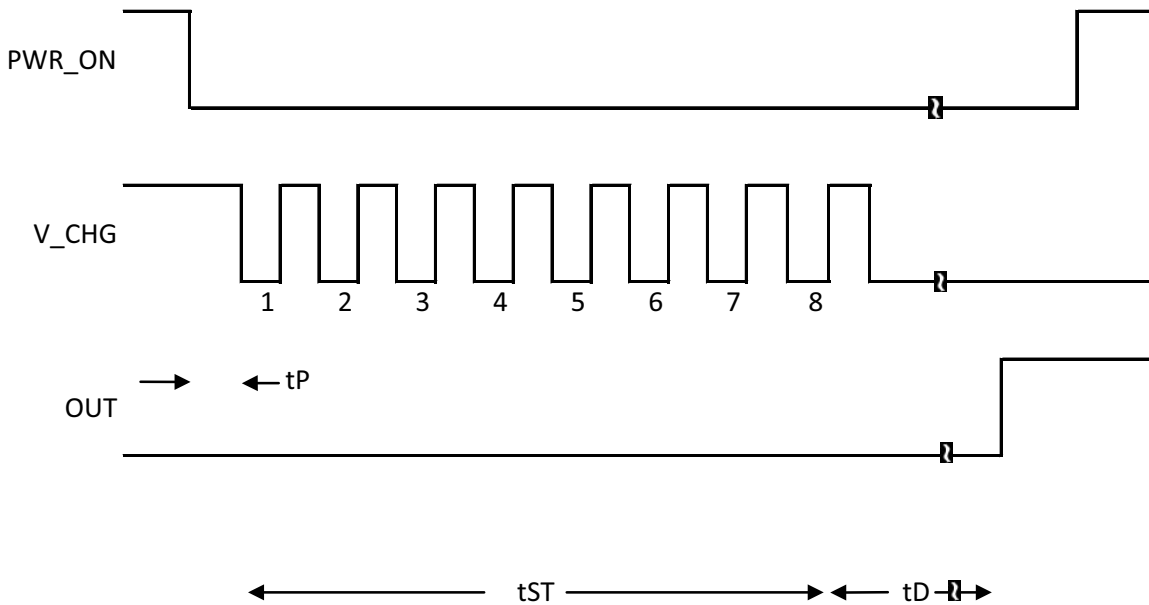


Figure 4. TOC Mode

# CAT874

## APPLICATION INFORMATION

### Output Operation

#### System with Two Different Power Supply Voltages

When both  $V_{CHG}$  and  $V_{BAT}$  are present, the following application can be adapted. Schottky diodes D1 and D2 can be used to isolate the two sources. The higher source will supply the VDD power.

If  $V_{CHG}$  is not present then drop across D2 should be low enough to turn off Q1. If both  $V_{CHG}$  and  $V_{BAT}$  are present, the timing waveforms should be used as shown in Figure 4.

An external resistor 1M should be used OUT, to discharge the output when both sources turn off.

#### Operation with Low VDD Voltage and Brownout Condition

The CAT874 requires a minimum supply voltage VDD of 1.8 V to guarantee the normal operation within the specification. To prevent small VDD supply glitch, a small ceramic capacitor can be added between the VDD pin and GND.

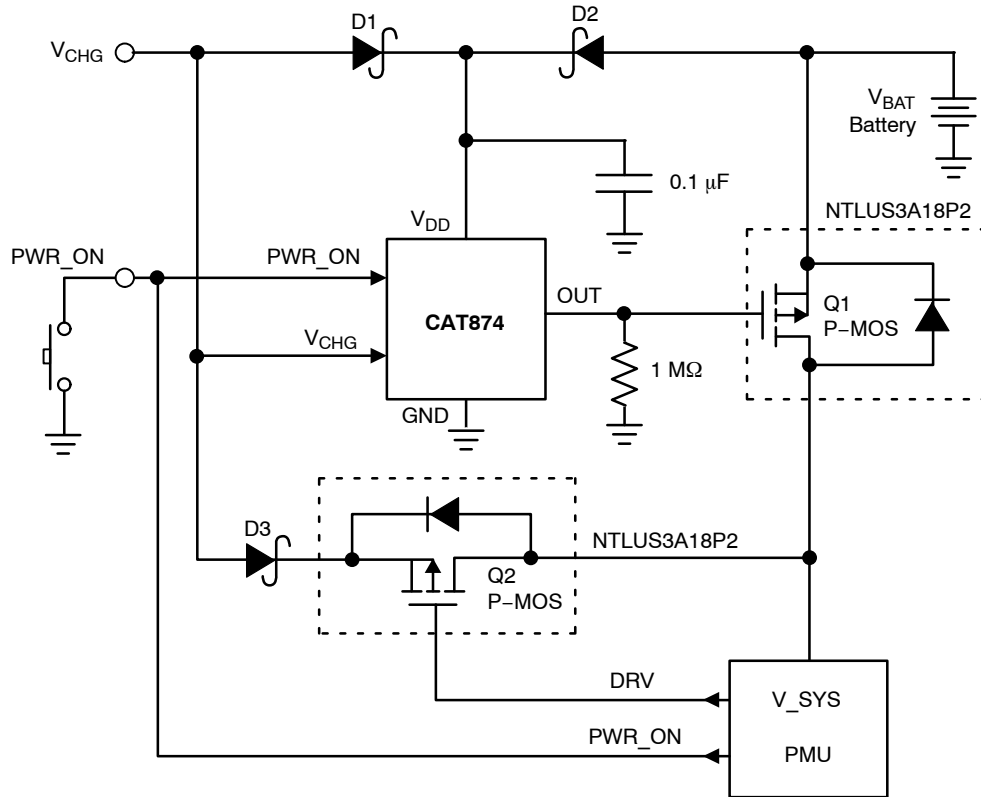
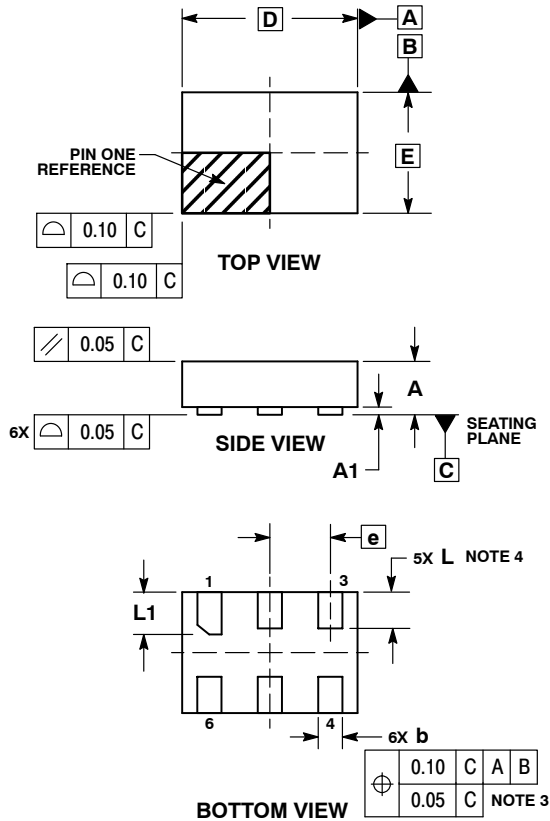


Figure 5. Application Schematic in Dual Supply System

# CAT874

## PACKAGE DIMENSIONS

ULLGA6, 1.45x1.0, 0.5P  
CASE 613AF-01  
ISSUE A

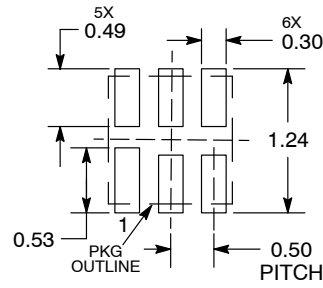


**NOTES:**

1. DIMENSIONING AND TOLERANCING PER ASME Y14.5M, 1994.
2. CONTROLLING DIMENSION: MILLIMETERS.
3. DIMENSION b APPLIES TO PLATED TERMINAL AND IS MEASURED BETWEEN 0.15 AND 0.30 mm FROM THE TERMINAL TIP.
4. A MAXIMUM OF 0.05 PULL BACK OF THE PLATED TERMINAL FROM THE EDGE OF THE PACKAGE IS ALLOWED.

MILLIMETERS		
DIM	MIN	MAX
A	---	0.40
A1	0.00	0.05
b	0.15	0.25
D	1.45 BSC	
E	1.00 BSC	
e	0.50 BSC	
L	0.25	0.35
L1	0.30	0.40

**MOUNTING FOOTPRINT  
SOLDERMASK DEFINED\***



DIMENSIONS: MILLIMETERS

\*For additional information on our Pb-Free strategy and soldering details, please download the ON Semiconductor Soldering and Mounting Techniques Reference Manual, SOLDERRM/D.

**Table 5. ORDERING INFORMATION**

Device	Timeout (s)	Marking	Package	Shipping (Note 4)
CAT874-80ULGT3	8	d M "P" written at 180° clockwise rotation	μLLGA-6	3,000 / Tape & Reel

4. For information on tape and reel specifications, including part orientation and tape sizes, please refer to our Tape and Reel Packaging Specifications Brochure, BRD8011/D.

ON Semiconductor and are registered trademarks of Semiconductor Components Industries, LLC (SCILLC). SCILLC owns the rights to a number of patents, trademarks, copyrights, trade secrets, and other intellectual property. A listing of SCILLC's product/patent coverage may be accessed at [www.onsemi.com/site/pdf/Patent-Marking.pdf](http://www.onsemi.com/site/pdf/Patent-Marking.pdf). SCILLC reserves the right to make changes without further notice to any products herein. SCILLC makes no warranty, representation or guarantee regarding the suitability of its products for any particular purpose, nor does SCILLC assume any liability arising out of the application or use of any product or circuit, and specifically disclaims any and all liability, including without limitation special, consequential or incidental damages. "Typical" parameters which may be provided in SCILLC data sheets and/or specifications can and do vary in different applications and actual performance may vary over time. All operating parameters, including "Typicals" must be validated for each customer application by customer's technical experts. SCILLC does not convey any license under its patent rights nor the rights of others. SCILLC products are not designed, intended, or authorized for use as components in systems intended for surgical implant into the body, or other applications intended to support or sustain life, or for any other application in which the failure of the SCILLC product could create a situation where personal injury or death may occur. Should Buyer purchase or use SCILLC products for any such unintended or unauthorized application, Buyer shall indemnify and hold SCILLC and its officers, employees, subsidiaries, affiliates, and distributors harmless against all claims, costs, damages, and expenses, and reasonable attorney fees arising out of, directly or indirectly, any claim of personal injury or death associated with such unintended or unauthorized use, even if such claim alleges that SCILLC was negligent regarding the design or manufacture of the part. SCILLC is an Equal Opportunity/Affirmative Action Employer. This literature is subject to all applicable copyright laws and is not for resale in any manner.

**PUBLICATION ORDERING INFORMATION**

**LITERATURE FULFILLMENT:**  
Literature Distribution Center for ON Semiconductor  
P.O. Box 5163, Denver, Colorado 80217 USA  
**Phone:** 303-675-2175 or 800-344-3860 Toll Free USA/Canada  
**Fax:** 303-675-2176 or 800-344-3867 Toll Free USA/Canada  
**Email:** [orderlit@onsemi.com](mailto:orderlit@onsemi.com)

**N. American Technical Support:** 800-282-9855 Toll Free  
USA/Canada  
**Europe, Middle East and Africa Technical Support:**  
Phone: 421 33 790 2910  
**Japan Customer Focus Center**  
Phone: 81-3-5817-1050

**ON Semiconductor Website:** [www.onsemi.com](http://www.onsemi.com)  
**Order Literature:** <http://www.onsemi.com/orderlit>  
For additional information, please contact your local Sales Representative

## Looking for pricing, stock, or lifecycle information?

Click below to explore more details on WIN SOURCE:

- ⊖ [View CAT874-80ULGT3 on WIN SOURCE](#)
- ⊖ [ON Semiconductor Information](#)

## Optimize Your Supply Chain with WIN SOURCE Solutions

- ✓ Global Sourcing Solution
- ✓ Obsolete Management
- ✓ Cost Control Management
- ✓ Shortage Management
- ✓ Alternative Solution
- ✓ Excess Inventory Management