



**THE DATASHEET OF
QR/P8-SC-121(12)**



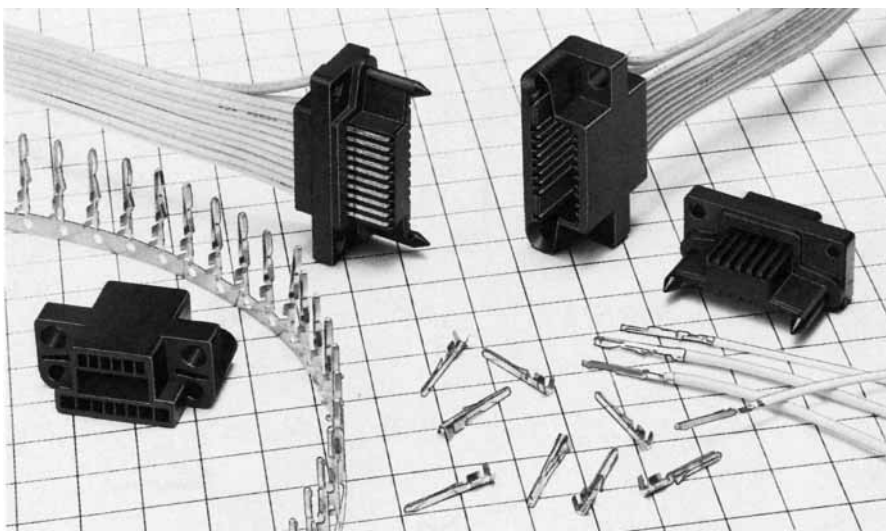
QR/P8 SERIES

Ultra-small Rectangular Multi-electrode solderless Connectors for Rack and Panel Applications

General

QR/P8 Series is a series of small connectors for rack and panel application. This is a smaller-size version of the QR/P and QR/P1 Series, whose rectangular multi-electrode plug in connectors for racks and panels have

been well received in the market. Three different electrode numbers are available: 8, 12 and 20. Wires are connected to the connectors without solder for easier connection and higher reliability.



Features

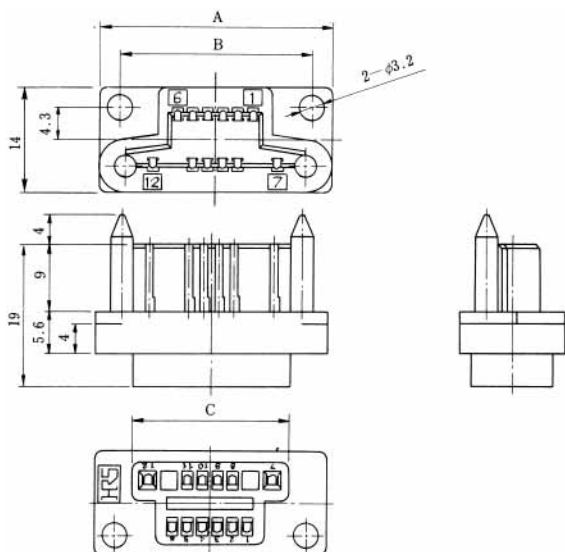
- (1) The connector of this series is about 20% smaller in length than of the QR/P4 Series with the same number of electrodes.
- (2) Two pairs of electrodes on two sides have a pitch of 5.3 mm at the reinforcement of the housing guide pins, making the connector size smaller and enabling the connector to withstand high voltages. These electrodes therefore can be used for power supply. The terminals for signals have a pitch of 2 mm
- (3) Wires of AWG #20 - 28 can be connected with the two pairs of terminals on the two sides, while wires of AWG #24 - 28 can be connectord with the terminals for signals.
- (4) The pins give stable contact pressure because of their point contact with the receptacle blades, and have a larger allowance for the variation of connection length - a characteristic of plug-in connectors.
- (5) The guide pins and the housing body are moulded as one piece to achieve a smaller connector size.
- (6) Since the connectors are mounted on racks or panels with stepped screws, connection and disconnection can be done easily.
- (7) The connectors of this series have passed UL, CSA and TÜV standards.

Application

PPC, Transmission and reception equipment, Data Communication, Vending Machine, Measuring Instruments, Automatic Equipment, Switchboards, etc.

Housing

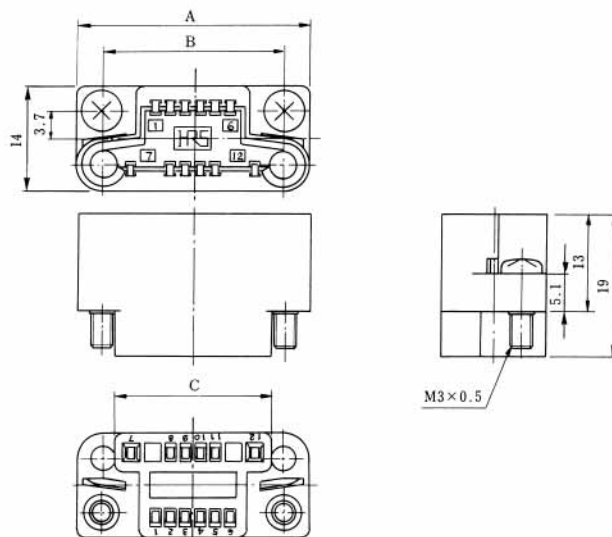
Male Housing



Unit: mm

HRS No.	No. of pin	Part No.	A	B	C	RoHS
CL221-0167-3-01	8	QR/P8-8P-C (01)	27	21.6	17	YES
CL221-0169-9-01	12	QR/P8-12P-C (01)	31	25.6	21	
CL221-0171-0-01	20	QR/P8-20P-C (01)	39	33.6	29	

Female Housing



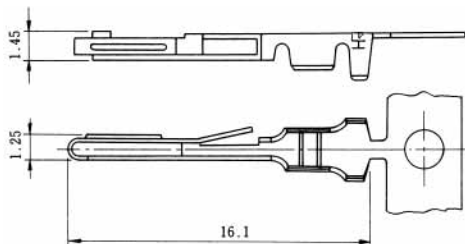
Unit: mm

HRS No.	No. of pin	Part No.	A	B	C	RoHS
CL221-0168-6-01	8	QR/P8-8S-C (01)	27	20.4	17	YES
CL221-0170-8-01	12	QR/P8-12S-C (01)	31	24.4	21	
CL221-0172-3-01	20	QR/P8-20S-C (01)	39	32.4	29	

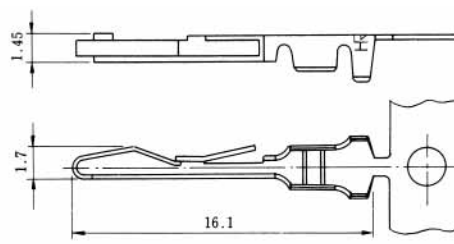
Note: Determine the combinations with the panel so that the mating clearance between the P side and S side is 1mm or less.

Contact

Thick Wire (For Two Contact Holes at Male Contact Both Ends)



Thick Wire (For Two Contact Holes at Female Contact Both Ends)



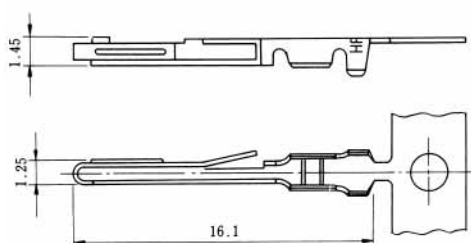
Selective gold plated with nickel under plating

Applicable Wire	HRS No.	Part No.	Type	Packing	RoHS
AWG#20-24	CL221-0182-7	QR/P8-PC-111	Loose	100pin	YES
	CL221-0175-1	QR/P8-PC-211	Chain	8000pin	

Applicable Wire	HRS No.	Part No.	Type	Packing	RoHS
AWG#20-24	CL221-0183-0	QR/P8-SC-111	Loose	100pin	YES
	CL221-0173-6	QR/P8-SC-211	Chain	8000pin	

Contact

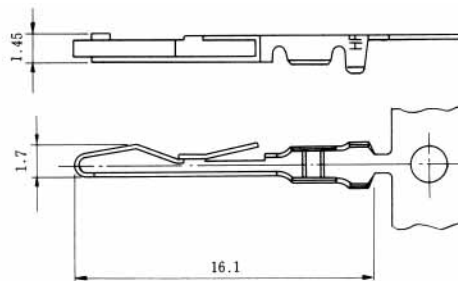
Signal Male Contact



Partly gold plated over nickel plating

Applicable Wire	HRS No.	Part No.	Type	Packing	RoHS
AWG#24-28	CL221-0184-2	QR/P8-PC-121	Loose	100pin	YES
	CL221-0176-4	QR/P8-PC-221	Chain	8000pin	

Signal Female Contact

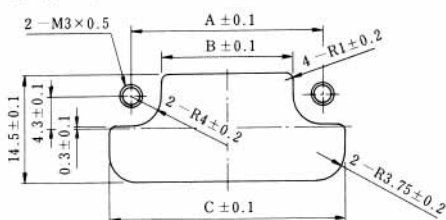


Partly gold plated over nickel plating

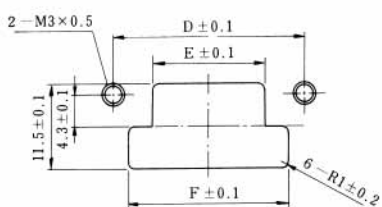
Applicable Wire	HRS No.	Part No.	Type	Packing	RoHS
AWG#24-28	CL221-0185-5	QR/P8-SC-121	Loose	100pin	YES
	CL221-0174-9	QR/P8-SC-221	Chain	8000pin	

Panel Cutout

QR/P8-※P-C



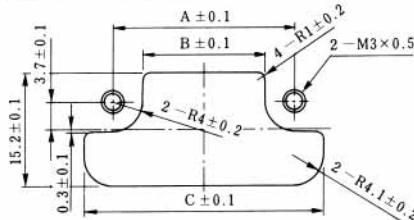
Mounting from rear surface of panel



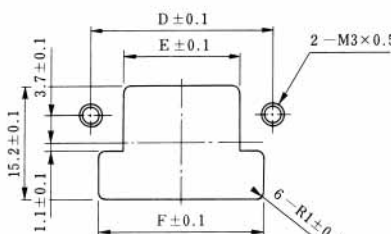
Mounting from front surface of panel

No. of pins		8pin	12pin	20pin
Rear Mounting	A	21.6	25.6	33.6
	B	13.6	17.6	25.6
	C	27.5	31.5	39.5
Front Mounting	D	21.6	25.6	33.6
	E	11.1	15.1	23.1
	F	17.5	21.5	29.5

QR/P8-※S-C



Mounting from rear surface of panel



Mounting from front surface of panel

No. of pins		8pin	12pin	20pin
Rear Mounting	A	20.4	24.4	32.4
	B	12.4	16.4	24.4
	C	28.2	32.2	40.2
Front Mounting	D	20.4	24.4	32.4
	E	11.6	15.6	23.6
	F	18.2	22.2	30.2

Tooling



Hand Crimp Tool



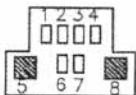
Auto Crimp Machine CM-105
CL901-0005-4

Kind	HRS No.	Part No.	Applicable Contact
Hand Crimp Tool	CL250-0030-4	TC-QR/P8-111	QR/P8-PC-111
			QR/P8-SC-111
	CL250-0031-7	TC-QR/P8-121	QR/P8-PC-121
Auto Crimp Machine Applicator	CL901-2533-3	AP105-QR/P8-1	QR/P8-SC-121
			QR/P8-PC-211
			QR/P8-SC-211
Contact Extractor	CL250-0033-2	TC-QR/P8-21	QR/P8-PC-221
			QR/P8-SC-221

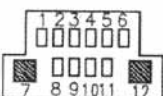
Contacts for thick wire Contact Configuration

Male Housing (Viewed from Wiring Side)

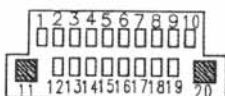
■: indicates a contact hole for thick wire



QR/P8-8P-C (01)



QR/P8-12P-C (01)



QR/P8-20P-C (01)

Looking for pricing, stock, or lifecycle information?

Click below to explore more details on WIN SOURCE:

- [⊖ View QR/P8-SC-121\(12\) on WIN SOURCE](#)
- [⊖ Hirose Electric Co Ltd Information](#)

Optimize Your Supply Chain with WIN SOURCE Solutions

- ✓ Global Sourcing Solution
- ✓ Obsolete Management
- ✓ Cost Control Management
- ✓ Shortage Management
- ✓ Alternative Solution
- ✓ Excess Inventory Management