



**THE DATASHEET OF
LT3460ESC6#TRMPBF**



1.3 MHz/650kHz Step-Up DC/DC Converter in SC70, ThinSOT and DFN

FEATURES

- **1.3MHz (LT3460) Switching Frequency**
- **650kHz (LT3460-1) Switching Frequency**
- **High Output Voltage: Up to 36V**
- **300mA Integrated Switch (LT3460)**
- **180mA Integrated Switch (LT3460-1)**
- **Wide Input Range: 2.5V to 16V**
- **Uses Small Surface Mount Components**
- **Low Shutdown Current: <math><1\mu\text{A}</math>**
- **Low Profile (1mm) SC70 (LT3460 and LT3460-1), SOT-23 (ThinSOT™) (LT3460) and 2mm × 2mm DFN (LT3460-1) Packages**

APPLICATIONS

- Digital Cameras
- CCD Bias Supply
- XDSL Power Supply
- TFT-LCD Bias Supply
- Local 5V or 12V Supply
- Medical Diagnostic Equipment
- Battery Backup

DESCRIPTION

The LT[®]3460/LT3460-1 are general purpose step-up DC/DC converters. The LT3460/LT3460-1 switch at 1.3MHz/650kHz, allowing the use of tiny, low cost and low height capacitors and inductors. The constant frequency results in low, predictable output noise that is easy to filter.

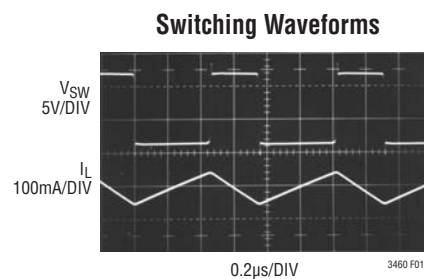
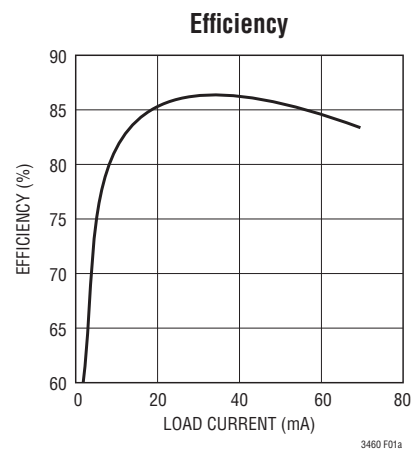
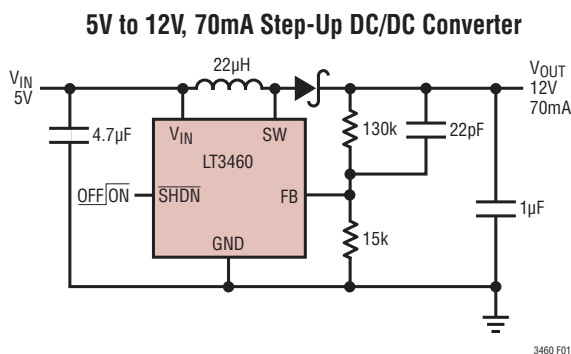
The high voltage switches in the LT3460/LT3460-1 are rated at 38V, making the device ideal for boost converters up to 36V. The LT3460 can generate 12V at up to 70mA from a 5V supply.

The low 1mA quiescent current and 650kHz switching frequency of LT3460-1 make it ideal for lower current applications.

The LT3460 is available in SC70 and SOT-23 packages. The LT3460-1 is available in SC70 and 2mm × 2mm DFN packages.

LT, LT, LTC and LTM are registered trademarks of Linear Technology Corporation. ThinSOT is a trademark of Linear Technology Corporation. All other trademarks are the property of their respective owners.

TYPICAL APPLICATION



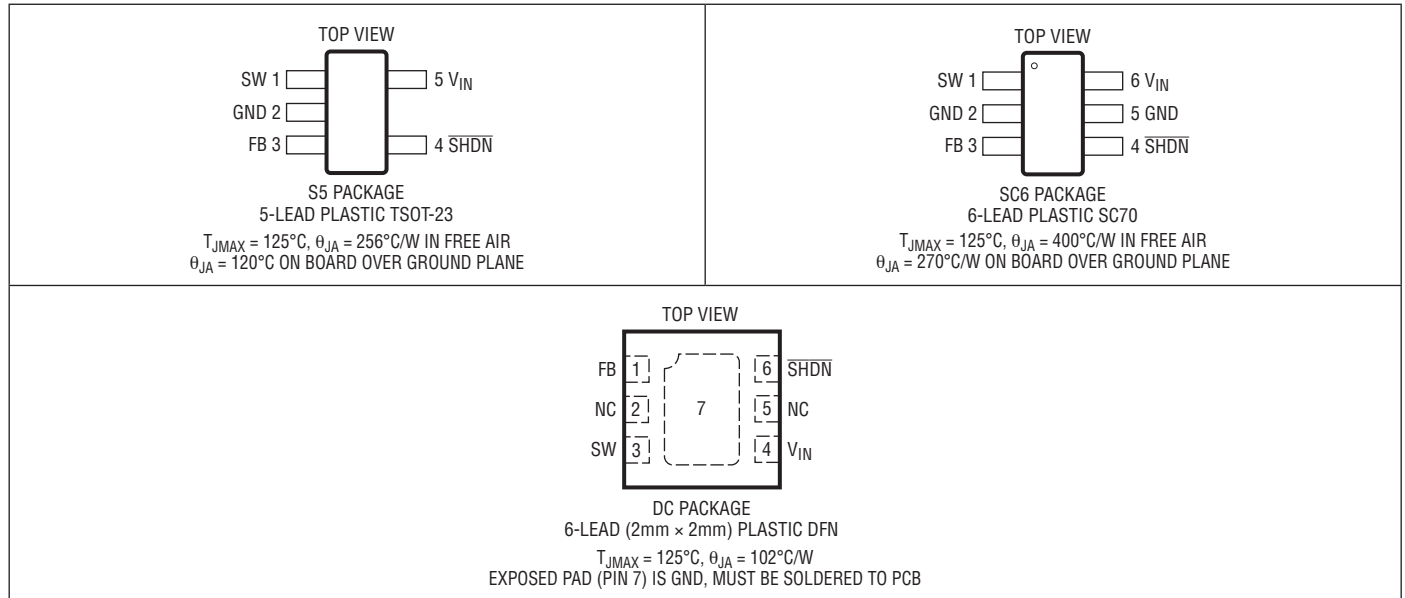
3460fb

LT3460/LT3460-1

ABSOLUTE MAXIMUM RATINGS (Note 1)

Input Voltage (V_{IN})	16V	Operating Ambient	
SW Voltage	38V	Temperature Range (Note 2)	-40°C to 85°C
FB Voltage	5V	Maximum Junction Temperature	125°C
SHDN Voltage	16V	Storage Temperature Range	-65°C to 150°C
		Lead Temperature (Soldering, 10 sec)	300°C

PIN CONFIGURATION



ORDER INFORMATION

LEAD FREE FINISH	TAPE AND REEL	PART MARKING	PACKAGE DESCRIPTION	TEMPERATURE RANGE
LT3460ES5#PBF	LT3460ES5#TRPBF	LTB1	5-Lead Plastic TSOT-23	-40°C to 85°C
LT3460ESC6#PBF	LT3460ESC6#TRPBF	LAAF	6-Lead Plastic SC70	-40°C to 85°C
LT3460ESC6-1#PBF	LT3460ESC6-1#TRPBF	LDJV	6-Lead Plastic SC70	-40°C to 85°C
LT3460EDC-1#PBF	LT3460EDC-1#TRPBF	LDNB	6-Lead (2mm x 2mm) Plastic DFN	-40°C to 85°C

Consult LTC Marketing for parts specified with wider operating temperature ranges.
Consult LTC Marketing for information on non-standard lead based finish parts.

For more information on lead free part marking, go to: <http://www.linear.com/leadfree/>
For more information on tape and reel specifications, go to: <http://www.linear.com/tapeandreel/>

ELECTRICAL CHARACTERISTICS

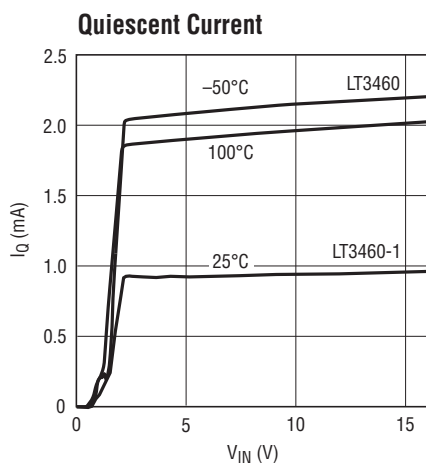
The ● denotes the specifications which apply over the full operating temperature range, otherwise specifications are at $T_A = 25^\circ\text{C}$, $V_{IN} = 3\text{V}$, $V_{\overline{\text{SHDN}}} = 3\text{V}$, unless otherwise noted.

PARAMETER	CONDITIONS	LT3460			LT3460-1			UNITS
		MIN	TYP	MAX	MIN	TYP	MAX	
Minimum Operating Voltage		2.5			2.5			V
Maximum Operating Voltage				16			16	V
Feedback Voltage		1.235 1.225	1.255	1.275 1.280	1.235 1.225	1.255	1.275 1.280	V V
Feedback Line Regulation	$2.5\text{V} < V_{IN} < 16\text{V}$		0.015			0.015		%/V
FB Pin Bias Current		● 5	25	80	0	25	80	nA
Supply Current	$\overline{\text{SHDN}} = 0\text{V}$		2.0 0.1	3.0 0.5		1.0 0.1	1.5 0.5	mA μA
Switching Frequency		1.0	1.3	1.7	0.35	0.65	1.0	MHz
Maximum Duty Cycle		85	90		80	90		%
Switch Current Limit		300	420	600	180	260	380	mA
Switch V_{CESAT}	$I_{\text{SW}} = 250\text{mA}$ (LT3460), $I_{\text{SW}} = 100\text{mA}$ (LT3460-1)		320	450		220	350	mV
Switch Leakage Current	$V_{\text{SW}} = 5\text{V}$		0.01	1		0.01	1	μA
$\overline{\text{SHDN}}$ Voltage High		1.5			1.5			V
$\overline{\text{SHDN}}$ Voltage Low				0.4			0.4	V
$\overline{\text{SHDN}}$ Pin Bias Current			40			15		μA

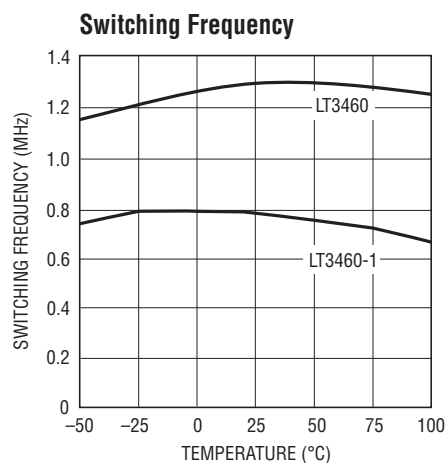
Note 1: Stresses beyond those listed under Absolute Maximum Ratings may cause permanent damage to the device. Exposure to any Absolute Maximum Rating condition for extended periods may affect device reliability and lifetime.

Note 2: The LT3460E/LT3460-1E is guaranteed to meet specifications from 0°C to 70°C . Specifications over the -40°C to 85°C operating temperature range are assured by design, characterization and correlation with statistical process controls.

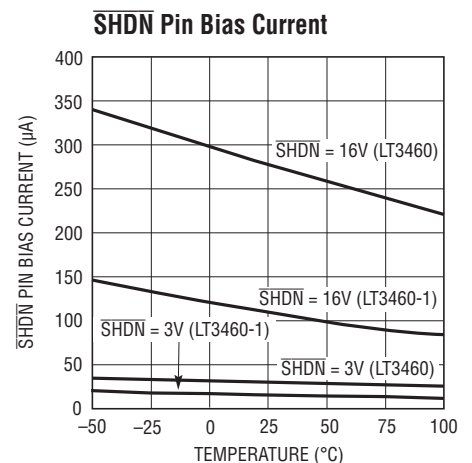
TYPICAL PERFORMANCE CHARACTERISTICS



3460 G01

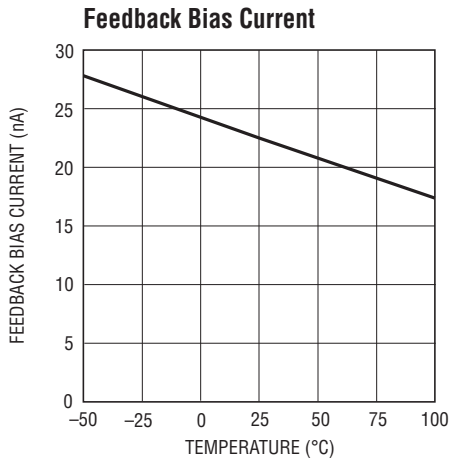


3460 G02

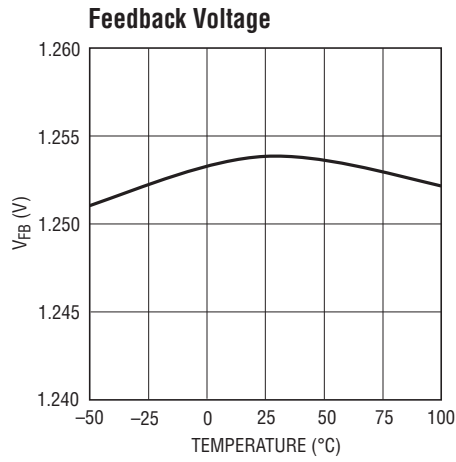


3460 G03

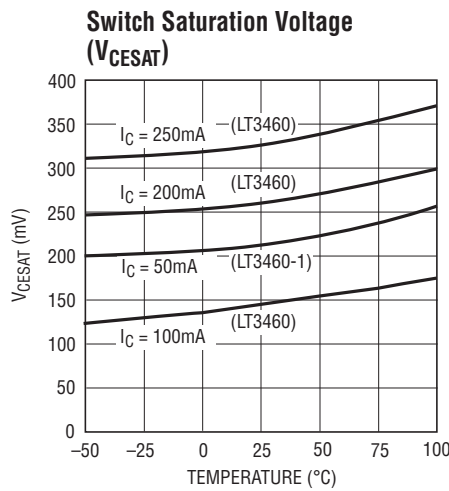
TYPICAL PERFORMANCE CHARACTERISTICS



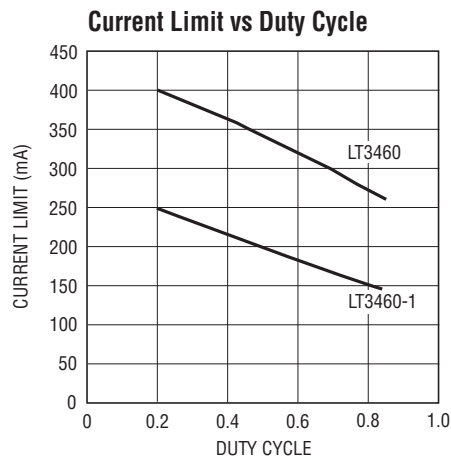
3460 G04



3460 G05



3460 G06



3460 G07

PIN FUNCTIONS (ThinSOT/SC70/DFN Packages)

SW (Pin 1/Pin 1/Pin 3): Switch Pin. Connect inductor/diode here. Minimize trace at this pin to reduce EMI.

GND (Pin 2/Pins 2 and 5/Exposed Pad Pin 7): Ground Pin. Tie directly to local ground plane.

FB (Pin 3/Pin 3/Pin 1): Feedback Pin. Reference voltage is 1.255V. Connect resistor divider tap here. Minimize trace area at FB. Set V_{OUT} according to $V_{OUT} = 1.255V (1 + R1/R2)$.

SHDN (Pin 4/Pin 4/Pin 6): Shutdown Pin. Tie to 1.5V or higher to enable device; 0.4V or less to disable device. Also functions as soft-start. Use RC filter (47k, 47nF typ) as shown in Figure 1.

V_{IN} (Pin 5/Pin 6/Pin 4): Input Supply Pin. Must be locally bypassed.

NC (NA/NA/Pins 2, 5): No-Connects. These pins are not connected to internal circuitry. They should be tied to ground to improve thermal and electrical performance.

BLOCK DIAGRAM

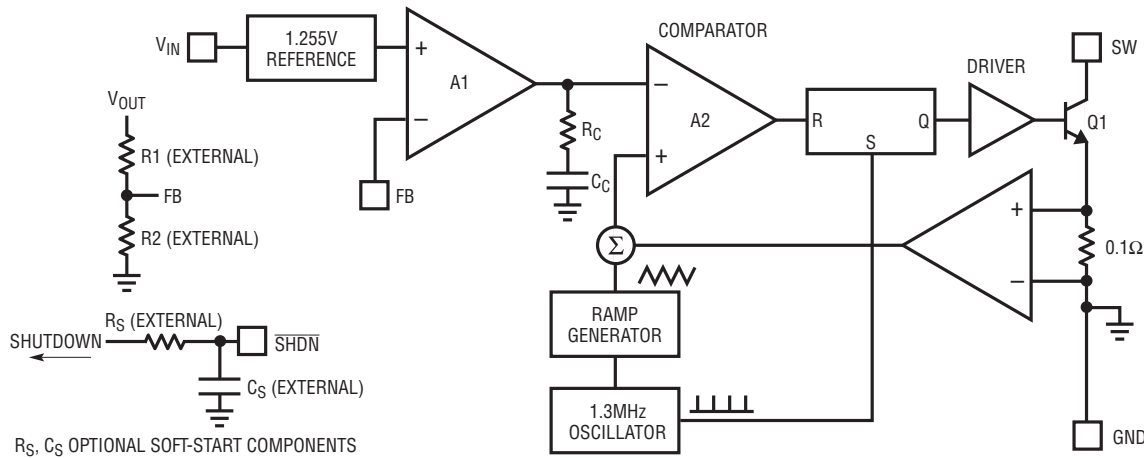


Figure 1. Block Diagram, LT3460

3460 BD

OPERATION

The LT3460/LT3460-1 uses a constant frequency, current mode control scheme to provide excellent line and load regulation. Operation can be best understood by referring to the block diagram in Figure 1. At the start of each oscillator cycle, the SR latch is set, which turns on the power switch Q1. A voltage proportional to the switch current is added to a stabilizing ramp and the resulting sum is fed into the positive terminal of the PWM comparator A2. When this voltage exceeds the level at the negative input of A2, the SR latch is reset turning off the power switch. The level at the negative input of A2 is set by the error amplifier A1, and is simply an amplified version of the difference between the feedback voltage and the reference voltage of 1.255V. In this manner, the error amplifier sets the correct peak current level to keep the output in regulation. If the error amplifier's output increases, more current is delivered to the output; if it decreases, less current is delivered.

Feedback Loop Compensation

The LT3460/LT3460-1 has an internal feedback compensation network as shown in Figure 1 (R_C and C_C). However, because the small signal characteristics of a boost converter change with operation conditions, the internal compensation network cannot satisfy all applications. A properly designed external feed forward capacitor from V_{OUT} to

FB (C_F in Figure 2) will correct the loop compensation for most applications.

The LT3460/LT3460-1 uses peak current mode control. The current feedback makes the inductor very similar to a current source in the medium frequency range. The power stage transfer function in the medium frequency range can be approximated as:

$$G_{P(s)} = \frac{K1}{s \cdot C2},$$

where $C2$ is the output capacitance, and $K1$ is a constant based on the operating point of the converter. In continuous current mode, $K1$ increases as the duty cycle decreases.

The internal compensation network R_C , C_C can be approximated as follows in medium frequency range:

$$G_{C(s)} = K2 \cdot \frac{s \cdot R_C \cdot C_C + 1}{s \cdot C_C}$$

The zero

$$f_z = \frac{1}{2 \cdot \pi \cdot R_C \cdot C_C}$$

is about 70kHz.

OPERATION

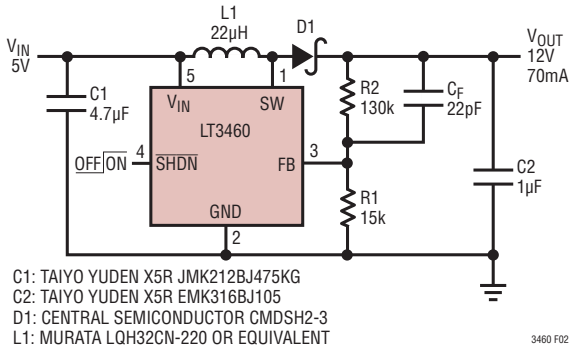


Figure 2. 5V to 12V Step-Up Converter

The feedback loop gain $T(s) = K3 \cdot G_P(s) \cdot G_C(s)$. If it crosses over 0dB far before f_z , the phase margin will be small. Figure 3 is the Bode plot of the feedback loop gain measured from the converter shown in Figure 2 without the feedforward capacitor C_F . The result agrees with the previous discussion: Phase margin of about 20° is insufficient.

In order to improve the phase margin, a feed-forward capacitor C_F in Figure 2 can be used.

Without the feed-forward capacitor, the transfer function from V_{OUT} to FB is:

$$\frac{FB}{V_{OUT}} = \frac{R1}{R1+R2}$$

With the feed-forward capacitor C_F , the transfer function becomes:

$$\frac{FB}{V_{OUT}} = \frac{R1}{R1+R2} \cdot \frac{s \cdot R2 \cdot C_F + 1}{s \cdot \frac{R1 \cdot R2}{R1+R2} \cdot C_F + 1}$$

The feed-forward capacitor C_F generates a zero and a pole. The zero always appears before the pole. The frequency distance between the zero and the pole is determined only by the ratio between V_{OUT} and FB. To give maximum phase margin, C_F should be chosen so that the midpoint frequency between the zero and the pole is at the cross over frequency.

With $C_F = 20pF$, the feedback loop Bode plot is reshaped as shown in Figure 4. The phase margin is about 60° .

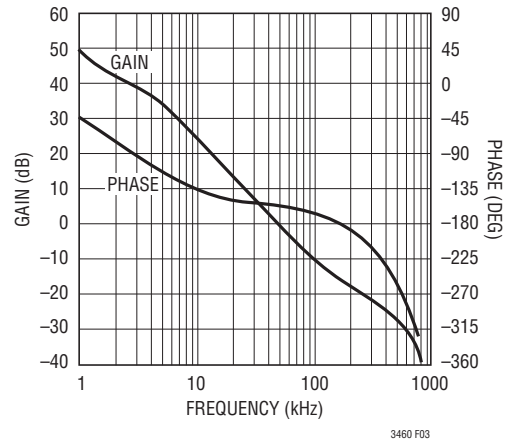


Figure 3

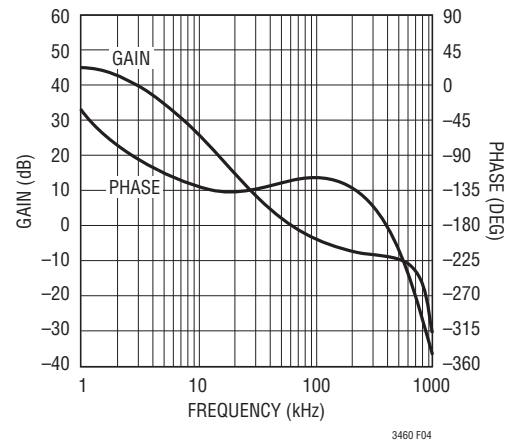


Figure 4

The feed-forward capacitor increases the gain at high frequency. The feedback loop therefore needs to have enough attenuation at the switching frequency to reject the switching noise. Additional internal compensation components have taken this into consideration.

For most of the applications of LT3460/LT3460-1, the output capacitor ESR zero is at very high frequency and can be ignored. If a low frequency ESR zero exists, for example, when a high-ESR Tantalum capacitor is used at the output, the phase margin may be enough even without a feed-forward capacitor. In these cases, the feed-forward capacitor should not be added because it may cause the feedback loop to not have enough attenuation at the switching frequency.

OPERATION

Layout Hints

The high speed operation of the LT3460/LT3460-1 demands careful attention to board layout. You will not get advertised performance with careless layout. Figure 5 shows the recommended component placement.

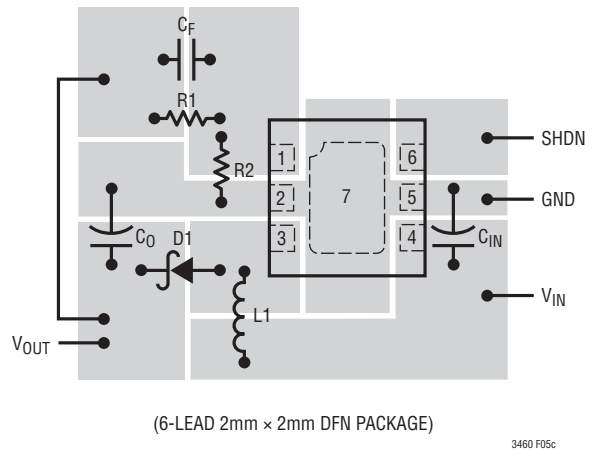
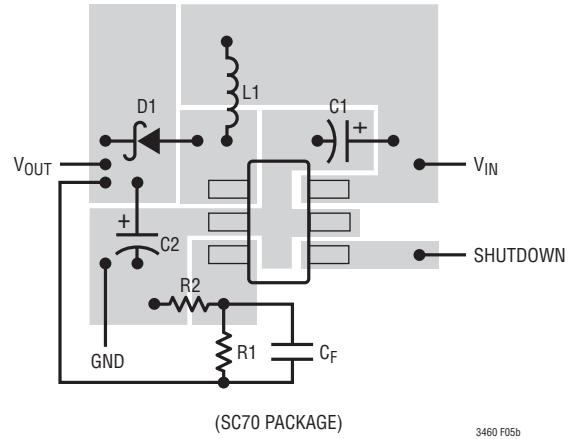
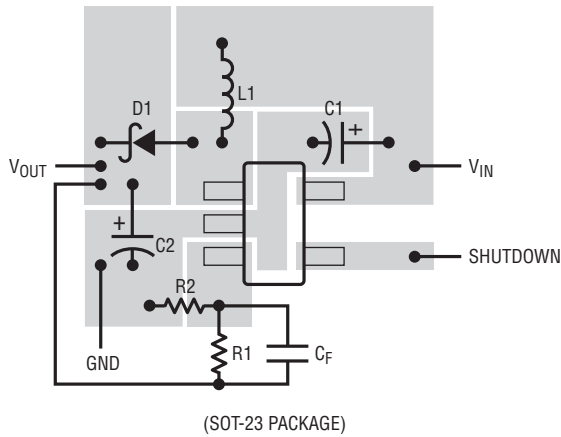
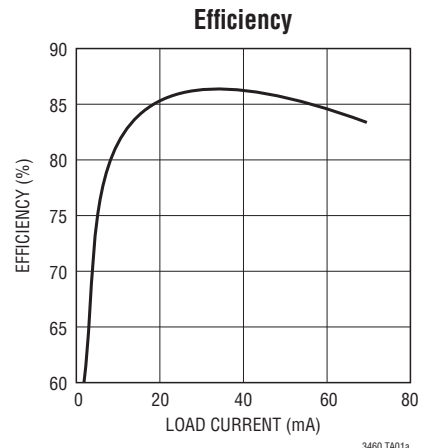
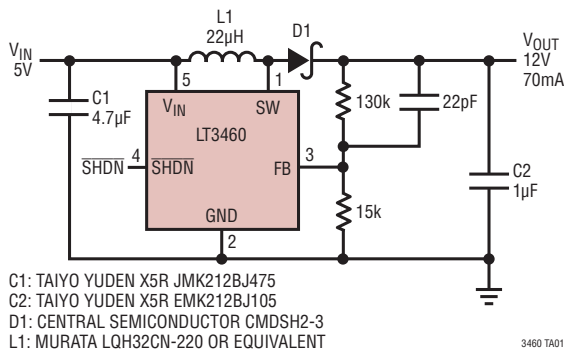


Figure 5

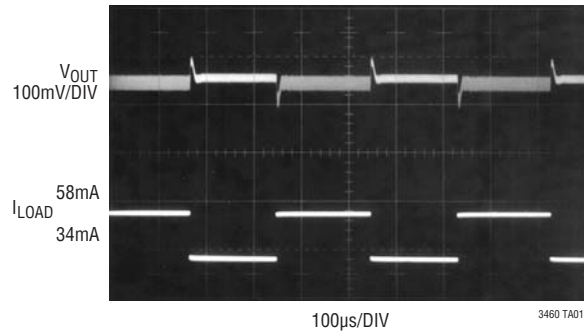
TYPICAL APPLICATIONS

5V to 12V Step-Up Converter

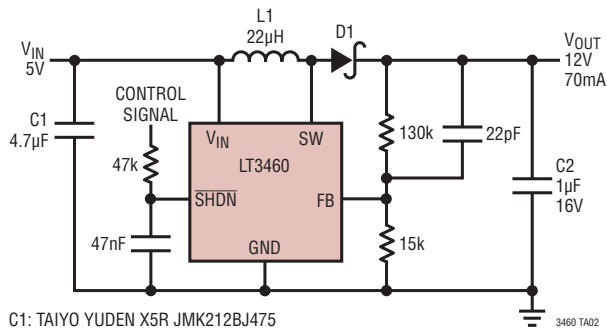


TYPICAL APPLICATIONS

Load Step Response

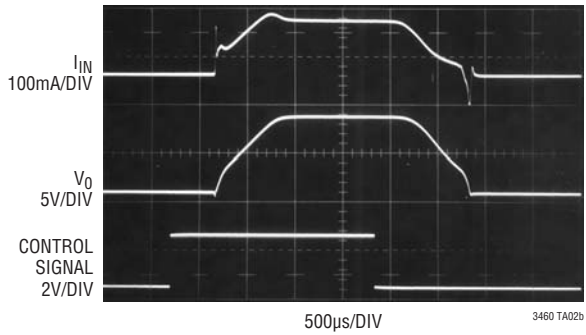


5V to 12V with Soft-Start Circuit

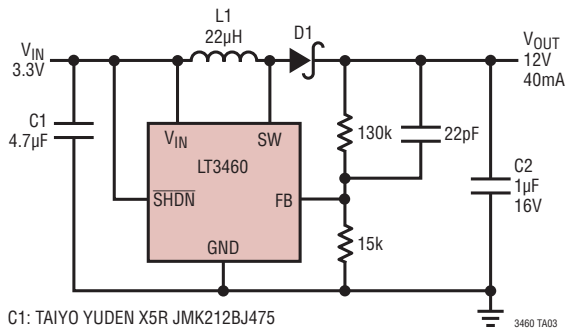


C1: TAIYO YUDEN X5R JMK212BJ475
 C2: TAIYO YUDEN X5R EMK212BJ105
 D1: CENTRAL SEMICONDUCTOR CMDSH2-3
 L1: MURATA LQH32CN-220 OR EQUIVALENT

Input Current and Output Voltage

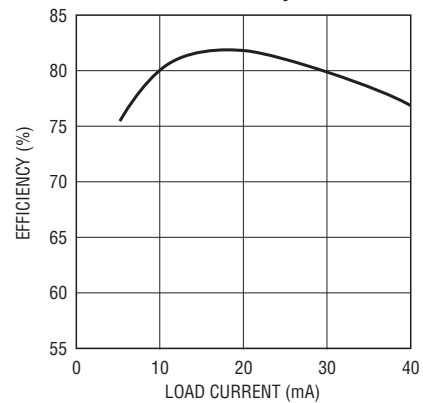


5V to 12V Step-Up Converter



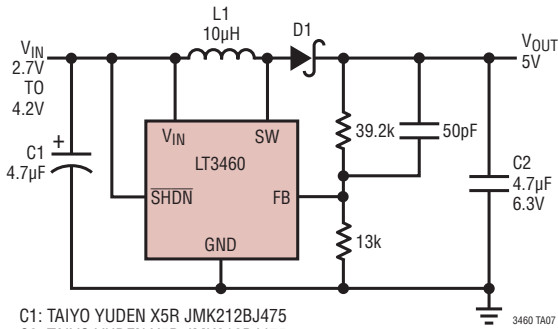
C1: TAIYO YUDEN X5R JMK212BJ475
 C2: TAIYO YUDEN X5R EMK212BJ105
 D1: CENTRAL SEMICONDUCTOR CMDSH2-3
 L1: MURATA LQH32CN-220 OR EQUIVALENT

Efficiency



TYPICAL APPLICATIONS

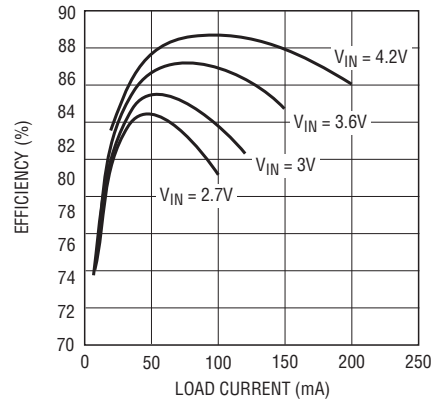
5V to 12V Step-Up Converter



- C1: TAIYO YUDEN X5R JMK212BJ475
- C2: TAIYO YUDEN X5R JMK212BJ475
- D1: PHILIPS PMEG2010
- L1: MURATA LQH32CN-100 OR EQUIVALENT

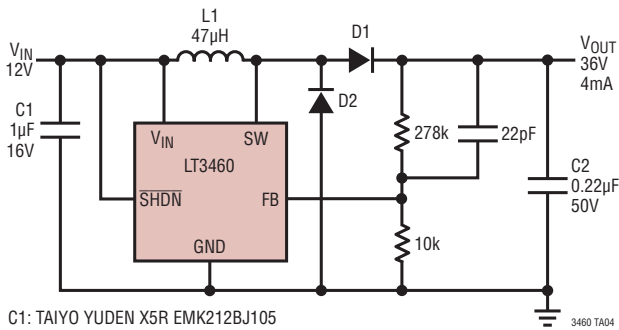
3460 TA07

Efficiency



3460 TA07a

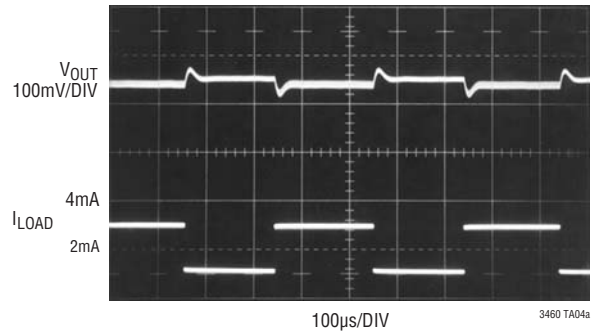
12V to 36V Step-Up Converter



- C1: TAIYO YUDEN X5R EMK212BJ105
- C2: TAIYO YUDEN X7R UMK212BJ224
- D1, D2: CENTRAL SEMICONDUCTOR CMOD4448
- L1: TAIYO YUDEN LB2012

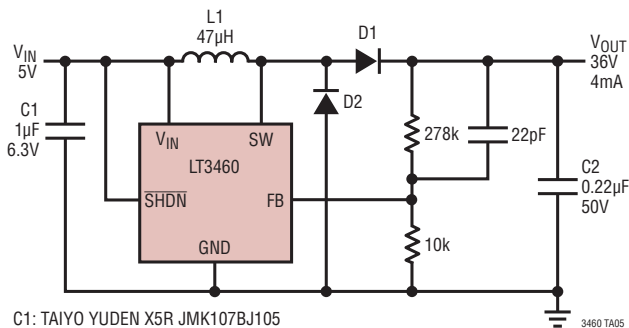
3460 TA04

Load Step Response



3460 TA04a

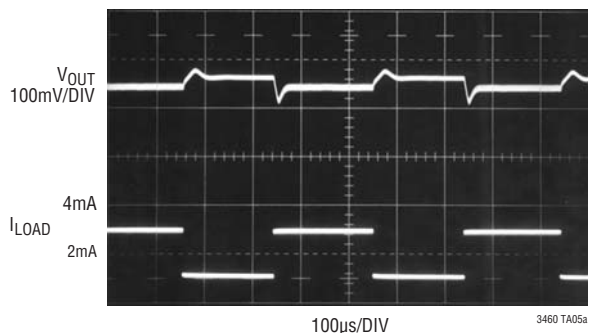
5V to 36V Step-Up Converter



- C1: TAIYO YUDEN X5R JMK107BJ105
- C2: TAIYO YUDEN X7R UMK212BJ224
- D1, D2: CENTRAL SEMICONDUCTOR CMOD4448
- L1: TAIYO YUDEN LB2012

3460 TA05

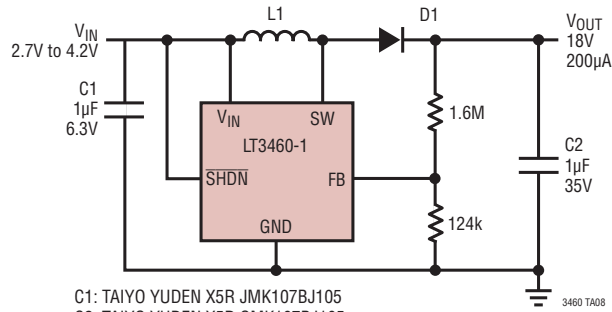
Load Step Response



3460 TA05a

APPLICATIONS INFORMATION

Li-Ion to 18V Step-Up Converter

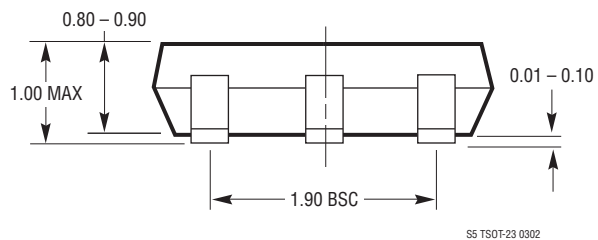
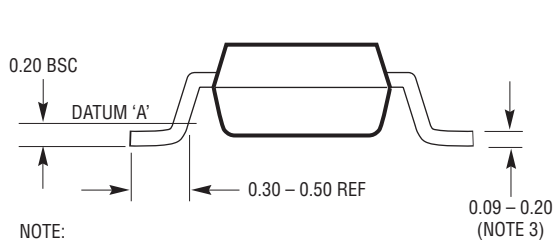
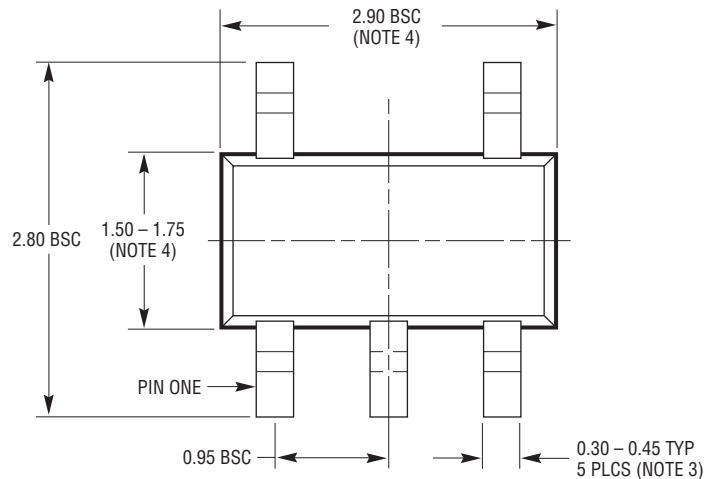
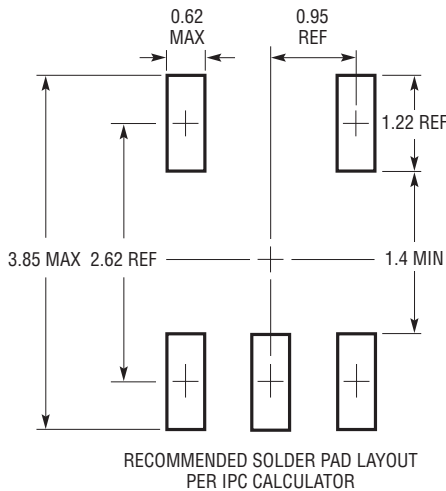


C1: TAIYO YUDEN X5R JMK107BJ105
 C2: TAIYO YUDEN X5R GMK107BJ105
 D1, D2: CENTRAL SEMICONDUCTOR CMDSH-3
 L1: MURATA LQH31CN-220

PACKAGE DESCRIPTION

S5 Package 5-Lead Plastic TSOT-23

(Reference LTC DWG # 05-08-1635)

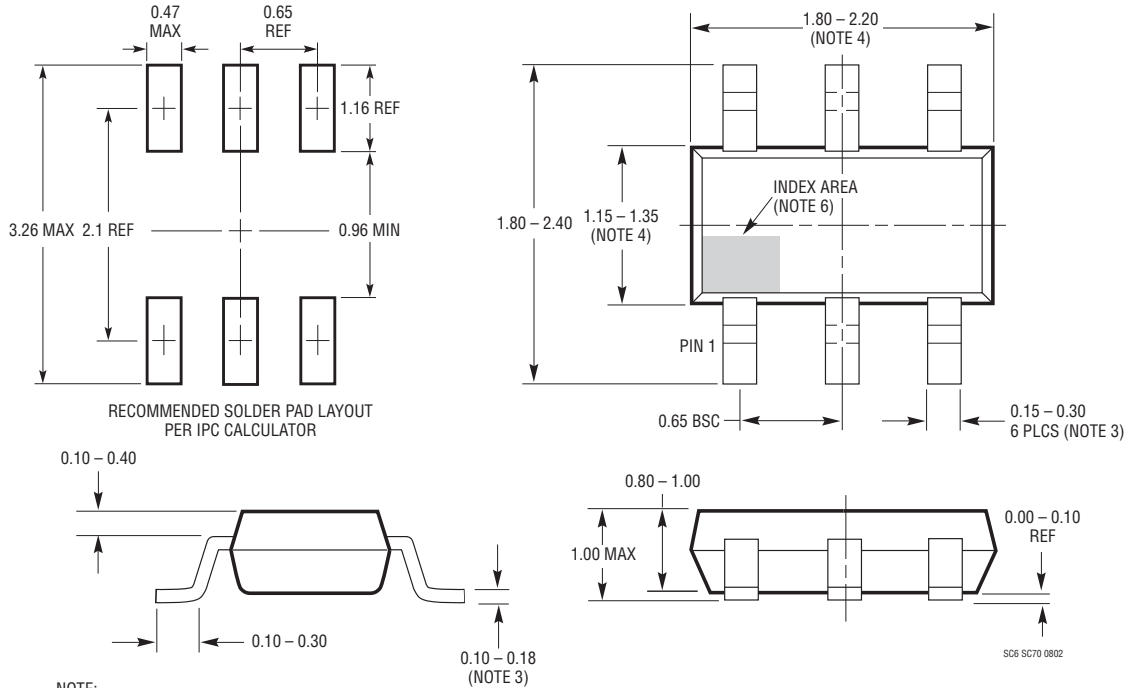


- NOTE:
1. DIMENSIONS ARE IN MILLIMETERS
 2. DRAWING NOT TO SCALE
 3. DIMENSIONS ARE INCLUSIVE OF PLATING
 4. DIMENSIONS ARE EXCLUSIVE OF MOLD FLASH AND METAL BURR
 5. MOLD FLASH SHALL NOT EXCEED 0.254mm
 6. JEDEC PACKAGE REFERENCE IS MO-193

S5 TSOT-23 0302

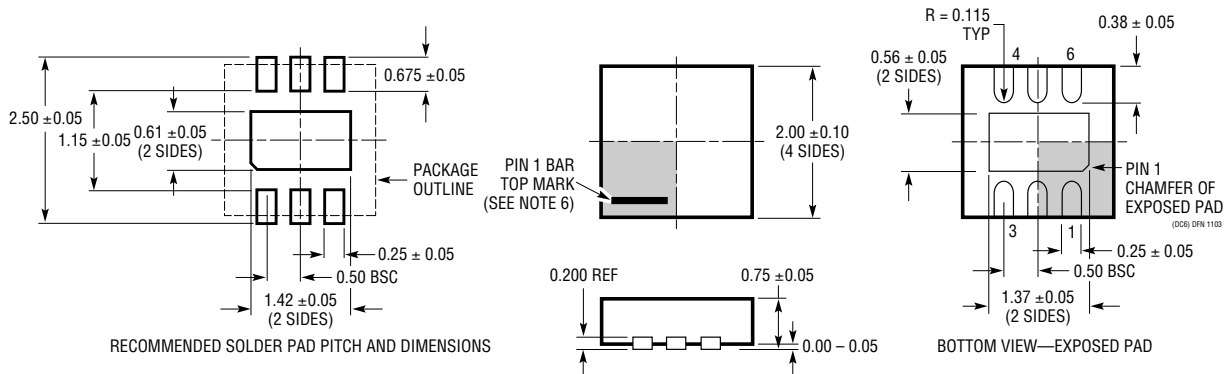
PACKAGE DESCRIPTION

SC6 Package 6-Lead Plastic SC70 (Reference LTC DWG # 05-08-1638)



- NOTE:
1. DIMENSIONS ARE IN MILLIMETERS
 2. DRAWING NOT TO SCALE
 3. DIMENSIONS ARE INCLUSIVE OF PLATING
 4. DIMENSIONS ARE EXCLUSIVE OF MOLD FLASH AND METAL BURR
 5. MOLD FLASH SHALL NOT EXCEED 0.254mm
 6. DETAILS OF THE PIN 1 IDENTIFIER ARE OPTIONAL, BUT MUST BE LOCATED WITHIN THE INDEX AREA
 7. EIAJ PACKAGE REFERENCE IS EIAJ SC-70

DC Package 6-Lead Plastic DFN (2mm x 2mm) (Reference LTC DWG # 05-08-1703)

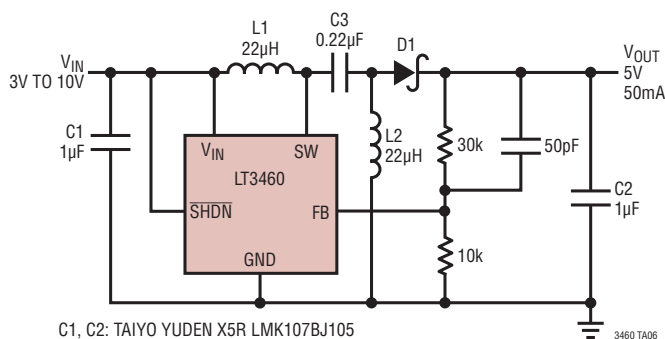


- NOTE:
1. DRAWING TO BE MADE A JEDEC PACKAGE OUTLINE M0-229 VARIATION OF (WCCD-2)
 2. DRAWING NOT TO SCALE
 3. ALL DIMENSIONS ARE IN MILLIMETERS
 4. DIMENSIONS OF EXPOSED PAD ON BOTTOM OF PACKAGE DO NOT INCLUDE MOLD FLASH. MOLD FLASH, IF PRESENT, SHALL NOT EXCEED 0.15mm ON ANY SIDE
 5. EXPOSED PAD SHALL BE SOLDER PLATED
 6. SHADED AREA IS ONLY A REFERENCE FOR PIN 1 LOCATION ON THE TOP AND BOTTOM OF PACKAGE

LT3460/LT3460-1

TYPICAL APPLICATIONS

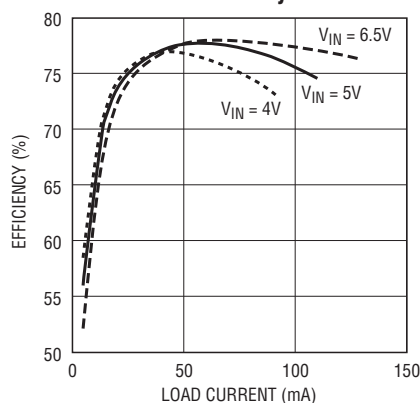
5V to 5V SEPIC



C1, C2: TAIYO YUDEN X5R LMK107BJ105
 C3: TAIYO YUDEN X7R LMK107BJ224
 D1: ON SEMICONDUCTOR MBR0520
 L1, L2: MURATA LQH32CN-220 OR EQUIVALENT

3460 TA06

Efficiency



3460 TA06a

RELATED PARTS

PART NUMBER	DESCRIPTION	COMMENTS
LT1613	550mA (I_{SW}), 1.4MHz, High Efficiency Step-Up DC/DC Converter	V_{IN} : 0.9V to 10V, $V_{OUT(MAX)}$ = 34V, I_Q = 3mA, I_{SD} < 1µA, ThinSOT Package
LT1615/LT1615-1	300mA/80mA (I_{SW}), Constant Off-Time, High Efficiency Step-Up DC/DC Converter	V_{IN} : 1.2V to 15V, $V_{OUT(MAX)}$ = 34V, I_Q = 20µA, I_{SD} < 1µA, ThinSOT Package
LT1944/LT1944-1	Dual Output 350mA/100mA (I_{SW}), Constant Off-Time, High Efficiency Step-Up DC/DC Converter	V_{IN} : 1.2V to 15V, $V_{OUT(MAX)}$ = 34V, I_Q = 20µA, I_{SD} < 1µA, MS Package
LT1945	Dual Output, Pos/Neg, 350mA (I_{SW}), Constant Off-Time, High Efficiency Step-Up DC/DC Converter	V_{IN} : 1.2V to 15V, $V_{OUT(MAX)}$ = ±34V, I_Q = 20µA, I_{SD} < 1µA, MS Package
LT1961	1.5A (I_{SW}), 1.25MHz, High Efficiency Step-Up DC/DC Converter	V_{IN} : 3V to 25V, $V_{OUT(MAX)}$ = 35V, I_Q = 0.9mA, I_{SD} < 6µA, MS8E Package
LTC3400/LTC3400B	600mA (I_{SW}), 1.2MHz, Synchronous Step-Up DC/DC Converter	V_{IN} : 0.85V to 5V, $V_{OUT(MAX)}$ = 5V, I_Q = 19µA/300µA, I_{SD} < 1µA, ThinSOT Package
LTC3401/LTC3402	1A/2A (I_{SW}), 3MHz, Synchronous Step-Up DC/DC Converter	V_{IN} : 0.5V to 5V, $V_{OUT(MAX)}$ = 6V, I_Q = 38µA, I_{SD} < 1µA, MS Package
LT3461/LT3461A	0.3A (I_{SW}), 1.3MHz/3MHz, High Efficiency Step-Up DC/DC Converter with Integrated Schottky	V_{IN} : 2.5V to 16V, $V_{OUT(MAX)}$ = 38V, I_Q = 2.8mA, I_{SD} < 1µA, SC70, ThinSOT Packages
LT3464	0.08A (I_{SW}), High Efficiency Step-Up DC/DC Converter with Integrated Schottky, Output Disconnect	V_{IN} : 2.3V to 10V, $V_{OUT(MAX)}$ = 34V, I_Q = 25µA, I_{SD} < 1µA, ThinSOT Package
LT3465/LT3465A	Constant Current, 1.2MHz/2.7MHz, High Efficiency White LED Boost Regulator with Integrated Schottky Diode	V_{IN} : 2.7V to 16V, $V_{OUT(MAX)}$ = 30V, I_Q = 1.9mA, I_{SD} < 1µA, ThinSOT Package

3460fb

Looking for pricing, stock, or lifecycle information?

Click below to explore more details on WIN SOURCE:

 [View LT3460ESC6#TRMPBF on WIN SOURCE](#)

 [Linear Technology](#) Information

Optimize Your Supply Chain with WIN SOURCE Solutions

-  Global Sourcing Solution
-  Obsolete Management
-  Cost Control Management
-  Shortage Management
-  Alternative Solution
-  Excess Inventory Management