



# THE DATASHEET OF TRS232EIN

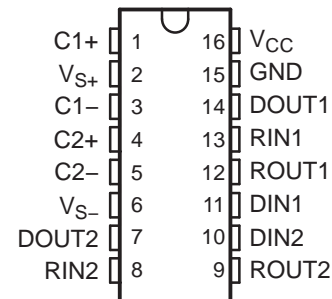


## DUAL RS-232 DRIVER/RECEIVER WITH IEC61000-4-2 PROTECTION

### FEATURES

- Meets or Exceeds TIA/RS-232-F and ITU Recommendation V.28
- Operates From a Single 5-V Power Supply With 1.0- $\mu$ F Charge-Pump Capacitors
- Operates up to 250 kbit/s
- Two Drivers and Two Receivers
- $\pm 30$ -V Input Levels
- Low Supply Current . . . 8 mA Typical
- ESD Protection for RS-232 Bus Pins
  - $\pm 15$ -kV Human-Body Model (HBM)
  - $\pm 8$ -kV IEC61000-4-2, Contact Discharge
  - $\pm 15$ -kV IEC61000-4-2, Air-Gap Discharge

D, DW, N, NS, OR PW PACKAGE  
(TOP VIEW)



### APPLICATIONS

- TIA/RS-232-F
- Battery-Powered Systems
- Terminals
- Modems
- Computers

### DESCRIPTION/ORDERING INFORMATION

The TRS232E is a dual driver/receiver that includes a capacitive voltage generator to supply TIA/RS-232-F voltage levels from a single 5-V supply. Each receiver converts TIA/RS-232-F inputs to 5-V TTL/CMOS levels. This receiver has a typical threshold of 1.3 V, a typical hysteresis of 0.5 V, and can accept  $\pm 30$ -V inputs. Each driver converts TTL/CMOS input levels into TIA/RS-232-F levels. The driver, receiver, and voltage-generator functions are available as cells in the Texas Instruments LinASIC™ library.



Please be aware that an important notice concerning availability, standard warranty, and use in critical applications of Texas Instruments semiconductor products and disclaimers thereto appears at the end of this data sheet.

LinASIC is a trademark of Texas Instruments.

**ORDERING INFORMATION**

| T <sub>A</sub> | PACKAGE <sup>(1)(2)</sup> |              | ORDERABLE PART NUMBER | TOP-SIDE MARKING |
|----------------|---------------------------|--------------|-----------------------|------------------|
| 0°C to 70°C    | PDIP – N                  | Tube of 25   | TRS232ECN             | TRS232ECN        |
|                | SOIC – D                  | Tube of 40   | TRS232ECD             | TRS232EC         |
|                |                           | Reel of 2500 | TRS232ECDR            |                  |
|                | SOIC – DW                 | Tube of 40   | TRS232ECDW            | TRS232EC         |
|                |                           | Reel of 2000 | TRS232ECDWR           |                  |
|                | SOP – NS                  | Reel of 2000 | TRS232ECNSR           | PREVIEW          |
| TSSOP – PW     | Tube of 25                | TRS232ECPW   | RU32EC                |                  |
|                | Reel of 2000              | TRS232ECPWR  |                       |                  |
| –40°C to 85°C  | PDIP – N                  | Tube of 25   | TRS232EIN             | TRS232EIN        |
|                | SOIC – D                  | Tube of 40   | TRS232EID             | TRS232EI         |
|                |                           | Reel of 2500 | TRS232EIDR            |                  |
|                | SOIC – DW                 | Tube of 40   | TRS232EIDW            | TRS232EI         |
|                |                           | Reel of 2000 | TRS232EIDWR           |                  |
|                | SOP – NS                  | Reel of 2000 | TRS232EINSR           | PREVIEW          |
| TSSOP – PW     | Tube of 25                | TRS232EIPW   | RU32EI                |                  |
|                | Reel of 2000              | TRS232EIPWR  |                       |                  |

- (1) Package drawings, thermal data, and symbolization are available at [www.ti.com/packaging](http://www.ti.com/packaging).
- (2) For the most current package and ordering information, see the Package Option Addendum at the end of this document, or see the TI website at [www.ti.com](http://www.ti.com).

**FUNCTION TABLES**

**Each Driver<sup>(1)</sup>**

| INPUT<br>DIN | OUTPUT<br>DOUT |
|--------------|----------------|
| L            | H              |
| H            | L              |

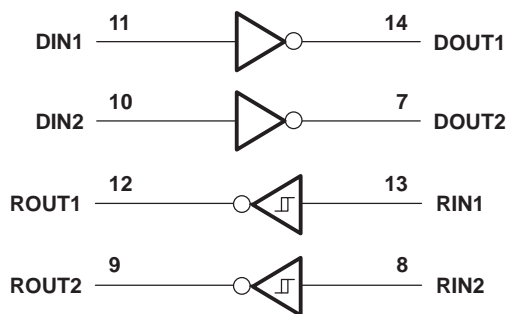
(1) H = high level, L = low level

**Each Receiver<sup>(1)</sup>**

| INPUT<br>RIN | OUTPUT<br>ROUT |
|--------------|----------------|
| L            | H              |
| H            | L              |

(1) H = high level, L = low level

**LOGIC DIAGRAM (POSITIVE LOGIC)**



## Absolute Maximum Ratings<sup>(1)</sup>

over operating free-air temperature range (unless otherwise noted)

|                  |   | MIN                   | MAX                   | UNIT                  |      |
|------------------|---|-----------------------|-----------------------|-----------------------|------|
| V <sub>CC</sub>  | Input supply voltage range <sup>(2)</sup>   | –0.3                  | 6                     | V                     |      |
| V <sub>S+</sub>  | Positive output supply voltage range        | V <sub>CC</sub> – 0.3 | 15                    | V                     |      |
| V <sub>S–</sub>  | Negative output supply voltage range        | –0.3                  | –15                   | V                     |      |
| V <sub>I</sub>   | Input voltage range                         | Driver                | –0.3                  | V <sub>CC</sub> + 0.3 | V    |
|                  |   | Receiver              |                       | ±30                   |      |
| V <sub>O</sub>   | Output voltage range                        | DOUT                  | V <sub>S–</sub> – 0.3 | V <sub>S+</sub> + 0.3 | V    |
|                  |   | ROUT                  | –0.3                  | V <sub>CC</sub> + 0.3 |      |
|                  | Short-circuit duration                      |                       |                       | Unlimited             |      |
| θ <sub>JA</sub>  | Package thermal impedance <sup>(3)(4)</sup> | D package             |                       | 73                    | °C/W |
|                  |   | DW package            |                       | 57                    |      |
|                  |   | N package             |                       | 67                    |      |
|                  |   | NS package            |                       | 64                    |      |
|                  |   | PW package            |                       | 108                   |      |
| T <sub>J</sub>   | Operating virtual junction temperature      |                       | 150                   | °C                    |      |
| T <sub>stg</sub> | Storage temperature range                   | –65                   | 150                   | °C                    |      |

- (1) Stresses beyond those listed under "absolute maximum ratings" may cause permanent damage to the device. These are stress ratings only, and functional operation of the device at these or any other conditions beyond those indicated under "recommended operating conditions" is not implied. Exposure to absolute-maximum-rated conditions for extended periods may affect device reliability.
- (2) All voltages are with respect to network GND.
- (3) Maximum power dissipation is a function of T<sub>J(max)</sub>, θ<sub>JA</sub>, and T<sub>A</sub>. The maximum allowable power dissipation at any allowable ambient temperature is P<sub>D</sub> = (T<sub>J(max)</sub> – T<sub>A</sub>)/θ<sub>JA</sub>. Operating at the absolute maximum T<sub>J</sub> of 150°C can affect reliability.
- (4) The package thermal impedance is calculated in accordance with JESD 51-7.

## Recommended Operating Conditions

|                 |                                       | MIN      | NOM | MAX | UNIT |
|-----------------|---------------------------------------|----------|-----|-----|------|
| V <sub>CC</sub> | Supply voltage                        | 4.5      | 5   | 5.5 | V    |
| V <sub>IH</sub> | High-level input voltage (DIN1, DIN2) | 2        |     |     | V    |
| V <sub>IL</sub> | Low-level input voltage (DIN1, DIN2)  |          |     | 0.8 | V    |
|                 | Receiver input voltage (RIN1, RIN2)   |          |     | ±30 |      |
| T <sub>A</sub>  | Operating free-air temperature        | TRS232EC | 0   | 70  | °C   |
|                 |                                       | TRS232EI | –40 | 85  |      |

## Electrical Characteristics<sup>(1)</sup>

over recommended ranges of supply voltage and operating free-air temperature (unless otherwise noted) (see [Figure 4](#))

| PARAMETER       |                | TEST CONDITIONS          |   | MIN | TYP <sup>(2)</sup> | MAX | UNIT |
|-----------------|----------------|--------------------------|---|-----|--------------------|-----|------|
| I <sub>CC</sub> | Supply current | V <sub>CC</sub> = 5.5 V, | All outputs open, T <sub>A</sub> = 25°C |     | 8                  | 10  | mA   |

- (1) Test conditions are C1–C4 = 1 μF at V<sub>CC</sub> = 5 V ± 0.5 V.
- (2) All typical values are at V<sub>CC</sub> = 5 V and T<sub>A</sub> = 25°C.

## DRIVER SECTION

### Electrical Characteristics<sup>(1)</sup>

over recommended ranges of supply voltage and operating free-air temperature range

| PARAMETER                      |   | TEST CONDITIONS  | MIN | TYP <sup>(2)</sup> | MAX | UNIT |
|--------------------------------|---|--|-----|--------------------|-----|------|
| V <sub>OH</sub>                | High-level output voltage               | DOUT<br>R <sub>L</sub> = 3 kΩ to GND                                 | 5   | 7                  |     | V    |
| V <sub>OL</sub>                | Low-level output voltage <sup>(3)</sup> | DOUT<br>R <sub>L</sub> = 3 kΩ to GND                                 |     | -7                 | -5  | V    |
| r <sub>o</sub>                 | Output resistance                       | DOUT<br>V <sub>S+</sub> = V <sub>S-</sub> = 0, V <sub>O</sub> = ±2 V | 300 |                    |     | Ω    |
| I <sub>OS</sub> <sup>(4)</sup> | Short-circuit output current            | DOUT<br>V <sub>CC</sub> = 5.5 V, V <sub>O</sub> = 0                  |     | ±10                |     | mA   |
| I <sub>IS</sub>                | Short-circuit input current             | DIN<br>V <sub>I</sub> = 0  |     |                    | 200 | μA   |

(1) Test conditions are C1–C4 = 1 μF at V<sub>CC</sub> = 5 V ± 0.5 V.

(2) All typical values are at V<sub>CC</sub> = 5 V and T<sub>A</sub> = 25°C.

(3) The algebraic convention, in which the least-positive (most negative) value is designated minimum, is used in this data sheet for logic voltage levels only.

(4) Not more than one output should be shorted at a time.

### Switching Characteristics<sup>(1)</sup>

V<sub>CC</sub> = 5 V, T<sub>A</sub> = 25°C (see Note 4)

| PARAMETER |                                    | TEST CONDITIONS   | MIN | TYP | MAX | UNIT   |
|-----------|------------------------------------|---|-----|-----|-----|--------|
| SR        | Driver slew rate                   | R <sub>L</sub> = 3 kΩ to 7 kΩ, See <a href="#">Figure 2</a> |     |     | 30  | V/μs   |
| SR(t)     | Driver transition region slew rate | See <a href="#">Figure 3</a>                                |     | 3   |     | V/μs   |
|           | Data rate                          | One DOUT switching  |     | 250 |     | kbit/s |

(1) Test conditions are C1–C4 = 1 μF at V<sub>CC</sub> = 5 V ± 0.5 V.

### ESD protection

| PARAMETER | TEST CONDITIONS                 | TYP | UNIT |
|-----------|---------------------------------|-----|------|
| DOUT, RIN | HBM                             | ±15 | kV   |
|           | IEC61000-4-2, Air-Gap Discharge | ±15 | kV   |
|           | IEC61000-4-2, Contact Discharge | ±8  | kV   |

## RECEIVER SECTION

### Electrical Characteristics<sup>(1)</sup>

over recommended ranges of supply voltage and operating free-air temperature range

| PARAMETER        |   |      | TEST CONDITIONS                              | MIN | TYP <sup>(2)</sup> | MAX | UNIT |
|------------------|---|------|--|-----|--------------------|-----|------|
| V <sub>OH</sub>  | High-level output voltage                       | ROUT | I <sub>OH</sub> = –1 mA                      | 3.5 |                    |     | V    |
| V <sub>OL</sub>  | Low-level output voltage <sup>(3)</sup>         | ROUT | I <sub>OL</sub> = 3.2 mA                     |     |                    | 0.4 | V    |
| V <sub>IT+</sub> | Receiver positive-going input threshold voltage | RIN  | V <sub>CC</sub> = 5 V, T <sub>A</sub> = 25°C |     | 1.7                | 2.4 | V    |
| V <sub>IT–</sub> | Receiver negative-going input threshold voltage | RIN  | V <sub>CC</sub> = 5 V, T <sub>A</sub> = 25°C | 0.8 | 1.2                |     | V    |
| V <sub>hys</sub> | Input hysteresis voltage                        | RIN  | V <sub>CC</sub> = 5 V                        | 0.2 | 0.5                | 1   | V    |
| r <sub>i</sub>   | Receiver input resistance                       | RIN  | V <sub>CC</sub> = 5 V, T <sub>A</sub> = 25°C | 3   | 5                  | 7   | kΩ   |

(1) Test conditions are C1–C4 = 1 μF at V<sub>CC</sub> = 5 V ± 0.5 V.

(2) All typical values are at V<sub>CC</sub> = 5 V and T<sub>A</sub> = 25°C.

(3) The algebraic convention, in which the least-positive (most negative) value is designated minimum, is used in this data sheet for logic voltage levels only.

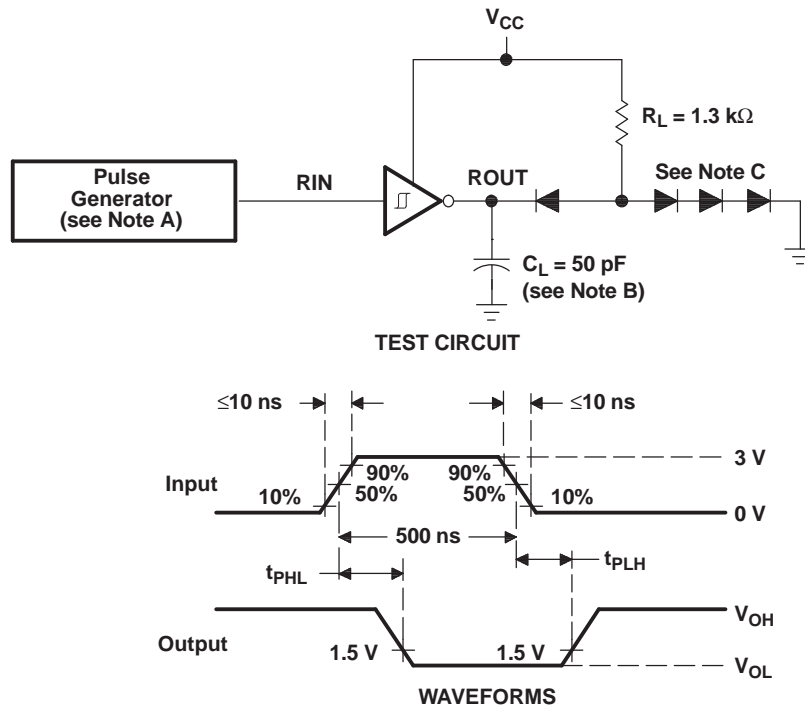
### Switching Characteristics<sup>(1)</sup>

V<sub>CC</sub> = 5 V, T<sub>A</sub> = 25°C (see [Figure 1](#))

| PARAMETER           |  | TYP | UNIT |
|---------------------|--|-----|------|
| t <sub>PLH(R)</sub> | Receiver propagation delay time, low- to high-level output | 500 | ns   |
| t <sub>PHL(R)</sub> | Receiver propagation delay time, high- to low-level output | 500 | ns   |

(1) Test conditions are C1–C4 = 1 μF at V<sub>CC</sub> = 5 V ± 0.5 V.

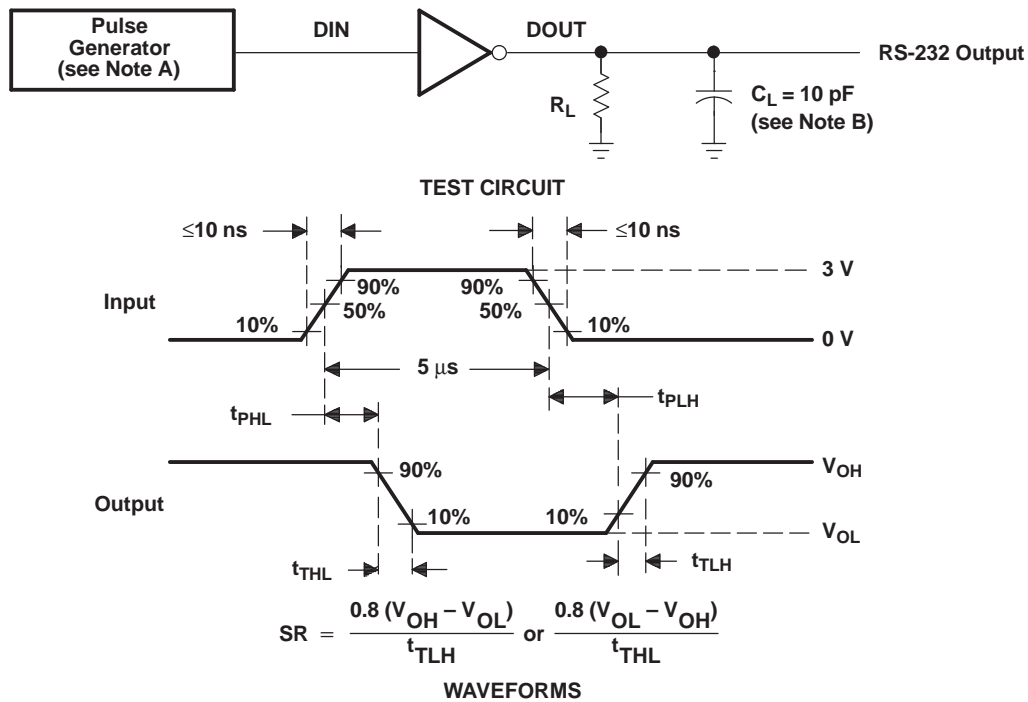
PARAMETER MEASUREMENT INFORMATION



- A. The pulse generator has the following characteristics:  $Z_O = 50 \Omega$ , duty cycle  $\leq 50\%$ .
- B.  $C_L$  includes probe and jig capacitance.
- C. All diodes are 1N3064 or equivalent.

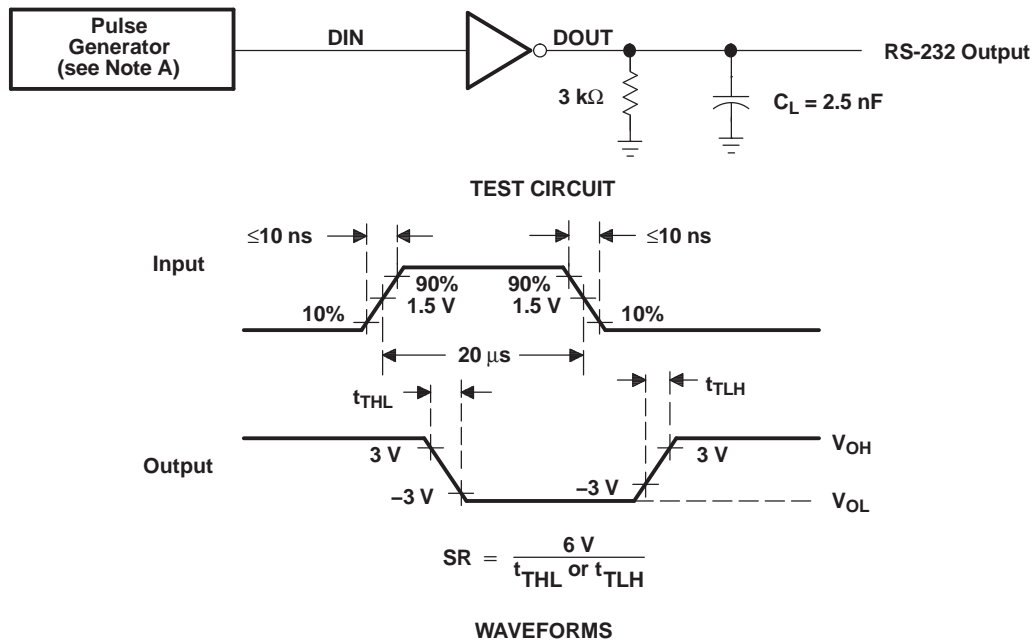
Figure 1. Receiver Test Circuit and Waveforms for  $t_{PHL}$  and  $t_{PLH}$  Measurements

PARAMETER MEASUREMENT INFORMATION (continued)



- A. The pulse generator has the following characteristics:  $Z_O = 50 \Omega$ , duty cycle  $\leq 50\%$ .
- B.  $C_L$  includes probe and jig capacitance.

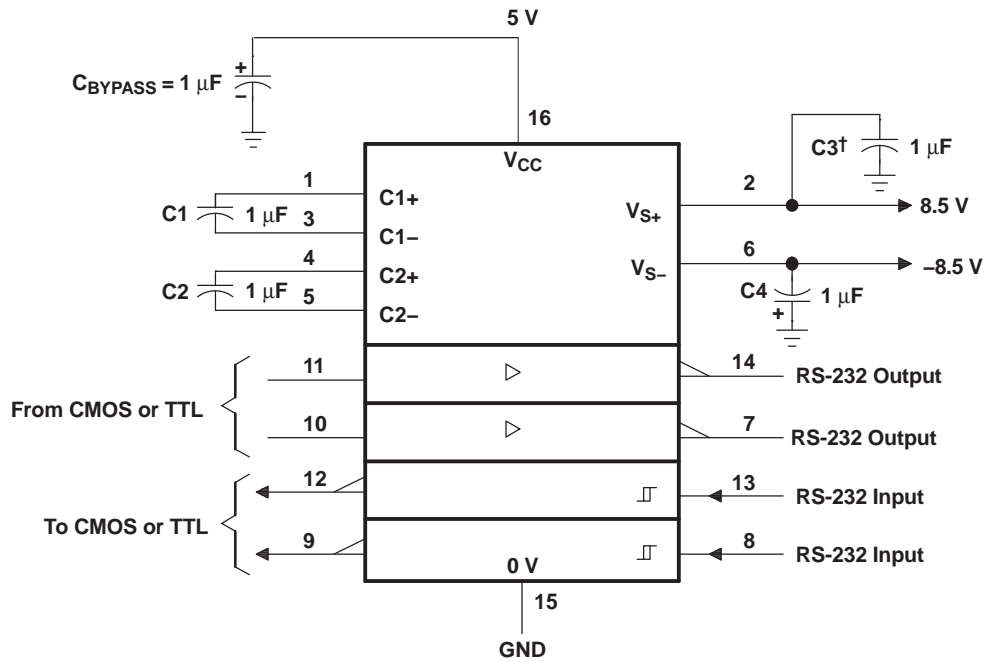
Figure 2. Driver Test Circuit and Waveforms for  $t_{PHL}$  and  $t_{PLH}$  Measurements (5- $\mu$ s Input)



- A. The pulse generator has the following characteristics:  $Z_O = 50 \Omega$ , duty cycle  $\leq 50\%$ .

Figure 3. Test Circuit and Waveforms for  $t_{THL}$  and  $t_{TLH}$  Measurements (20- $\mu$ s Input)

APPLICATION INFORMATION



† C3 can be connected to V<sub>CC</sub> or GND.

- A. Resistor values shown are nominal.
- B. Nonpolarized ceramic capacitors are acceptable. If polarized tantalum or electrolytic capacitors are used, they should be connected as shown. In addition to the 1-µF capacitors shown, the TRS202E can operate with 0.1-µF capacitors.

Figure 4. Typical Operating Circuit

**PACKAGING INFORMATION**

| Orderable Device | Status<br>(1) | Package Type | Package Drawing | Pins | Package Qty | Eco Plan<br>(2)         | Lead/Ball Finish<br>(6) | MSL Peak Temp<br>(3) | Op Temp (°C) | Device Marking<br>(4/5) | Samples                 |
|------------------|---------------|--------------|-----------------|------|-------------|-------------------------|-------------------------|----------------------|--------------|-------------------------|-------------------------|
| TRS232ECD        | ACTIVE        | SOIC         | D               | 16   | 40          | Green (RoHS & no Sb/Br) | CU NIPDAU               | Level-1-260C-UNLIM   | 0 to 70      | TRS232EC                | <a href="#">Samples</a> |
| TRS232ECDR       | ACTIVE        | SOIC         | D               | 16   | 2500        | Green (RoHS & no Sb/Br) | CU NIPDAU               | Level-1-260C-UNLIM   | 0 to 70      | TRS232EC                | <a href="#">Samples</a> |
| TRS232ECDWR      | ACTIVE        | SOIC         | DW              | 16   | 2000        | Green (RoHS & no Sb/Br) | CU NIPDAU               | Level-1-260C-UNLIM   | 0 to 70      | TRS232EC                | <a href="#">Samples</a> |
| TRS232ECN        | ACTIVE        | PDIP         | N               | 16   | 25          | Pb-Free (RoHS)          | CU NIPDAU               | N / A for Pkg Type   | 0 to 70      | TRS232ECN               | <a href="#">Samples</a> |
| TRS232ECPW       | ACTIVE        | TSSOP        | PW              | 16   | 90          | Green (RoHS & no Sb/Br) | CU NIPDAU               | Level-1-260C-UNLIM   | 0 to 70      | RU32EC                  | <a href="#">Samples</a> |
| TRS232ECPWR      | ACTIVE        | TSSOP        | PW              | 16   | 2000        | Green (RoHS & no Sb/Br) | CU NIPDAU               | Level-1-260C-UNLIM   | 0 to 70      | RU32EC                  | <a href="#">Samples</a> |
| TRS232EID        | ACTIVE        | SOIC         | D               | 16   | 40          | Green (RoHS & no Sb/Br) | CU NIPDAU               | Level-1-260C-UNLIM   | -40 to 85    | TRS232EI                | <a href="#">Samples</a> |
| TRS232EIDR       | ACTIVE        | SOIC         | D               | 16   | 2500        | Green (RoHS & no Sb/Br) | CU NIPDAU               | Level-1-260C-UNLIM   | -40 to 85    | TRS232EI                | <a href="#">Samples</a> |
| TRS232EIDWR      | ACTIVE        | SOIC         | DW              | 16   | 2000        | Green (RoHS & no Sb/Br) | CU NIPDAU               | Level-1-260C-UNLIM   | -40 to 85    | TRS232EI                | <a href="#">Samples</a> |
| TRS232EIN        | ACTIVE        | PDIP         | N               | 16   | 25          | Green (RoHS & no Sb/Br) | CU NIPDAU               | N / A for Pkg Type   | -40 to 85    | TRS232EIN               | <a href="#">Samples</a> |
| TRS232EIPW       | ACTIVE        | TSSOP        | PW              | 16   | 90          | Green (RoHS & no Sb/Br) | CU NIPDAU               | Level-1-260C-UNLIM   | -40 to 85    | RU32EI                  | <a href="#">Samples</a> |
| TRS232EIPWR      | ACTIVE        | TSSOP        | PW              | 16   | 2000        | Green (RoHS & no Sb/Br) | CU NIPDAU               | Level-1-260C-UNLIM   | -40 to 85    | RU32EI                  | <a href="#">Samples</a> |

(1) The marketing status values are defined as follows:

**ACTIVE:** Product device recommended for new designs.

**LIFEBUY:** TI has announced that the device will be discontinued, and a lifetime-buy period is in effect.

**NRND:** Not recommended for new designs. Device is in production to support existing customers, but TI does not recommend using this part in a new design.

**PREVIEW:** Device has been announced but is not in production. Samples may or may not be available.

**OBSELETE:** TI has discontinued the production of the device.

(2) **RoHS:** TI defines "RoHS" to mean semiconductor products that are compliant with the current EU RoHS requirements for all 10 RoHS substances, including the requirement that RoHS substance do not exceed 0.1% by weight in homogeneous materials. Where designed to be soldered at high temperatures, "RoHS" products are suitable for use in specified lead-free processes. TI may reference these types of products as "Pb-Free".

**RoHS Exempt:** TI defines "RoHS Exempt" to mean products that contain lead but are compliant with EU RoHS pursuant to a specific EU RoHS exemption.

**Green:** TI defines "Green" to mean the content of Chlorine (Cl) and Bromine (Br) based flame retardants meet JS709B low halogen requirements of  $\leq 1000$ ppm threshold. Antimony trioxide based flame retardants must also meet the  $\leq 1000$ ppm threshold requirement.

(3) MSL, Peak Temp. - The Moisture Sensitivity Level rating according to the JEDEC industry standard classifications, and peak solder temperature.

(4) There may be additional marking, which relates to the logo, the lot trace code information, or the environmental category on the device.

(5) Multiple Device Markings will be inside parentheses. Only one Device Marking contained in parentheses and separated by a "~" will appear on a device. If a line is indented then it is a continuation of the previous line and the two combined represent the entire Device Marking for that device.

(6) Lead/Ball Finish - Orderable Devices may have multiple material finish options. Finish options are separated by a vertical ruled line. Lead/Ball Finish values may wrap to two lines if the finish value exceeds the maximum column width.

**Important Information and Disclaimer:** The information provided on this page represents TI's knowledge and belief as of the date that it is provided. TI bases its knowledge and belief on information provided by third parties, and makes no representation or warranty as to the accuracy of such information. Efforts are underway to better integrate information from third parties. TI has taken and continues to take reasonable steps to provide representative and accurate information but may not have conducted destructive testing or chemical analysis on incoming materials and chemicals. TI and TI suppliers consider certain information to be proprietary, and thus CAS numbers and other limited information may not be available for release.

In no event shall TI's liability arising out of such information exceed the total purchase price of the TI part(s) at issue in this document sold by TI to Customer on an annual basis.

**TAPE AND REEL INFORMATION**

**QUADRANT ASSIGNMENTS FOR PIN 1 ORIENTATION IN TAPE**


\*All dimensions are nominal

| Device      | Package Type | Package Drawing | Pins | SPQ  | Reel Diameter (mm) | Reel Width W1 (mm) | A0 (mm) | B0 (mm) | K0 (mm) | P1 (mm) | W (mm) | Pin1 Quadrant |
|-------------|--------------|-----------------|------|------|--------------------|--------------------|---------|---------|---------|---------|--------|---------------|
| TRS232ECDR  | SOIC         | D               | 16   | 2500 | 330.0              | 16.4               | 6.5     | 10.3    | 2.1     | 8.0     | 16.0   | Q1            |
| TRS232ECDR  | SOIC         | D               | 16   | 2500 | 330.0              | 16.4               | 6.5     | 10.3    | 2.1     | 8.0     | 16.0   | Q1            |
| TRS232ECDWR | SOIC         | DW              | 16   | 2000 | 330.0              | 16.4               | 10.75   | 10.7    | 2.7     | 12.0    | 16.0   | Q1            |
| TRS232ECPWR | TSSOP        | PW              | 16   | 2000 | 330.0              | 12.4               | 6.9     | 5.6     | 1.6     | 8.0     | 12.0   | Q1            |
| TRS232EIDR  | SOIC         | D               | 16   | 2500 | 330.0              | 16.4               | 6.5     | 10.3    | 2.1     | 8.0     | 16.0   | Q1            |
| TRS232EIDWR | SOIC         | DW              | 16   | 2000 | 330.0              | 16.4               | 10.75   | 10.7    | 2.7     | 12.0    | 16.0   | Q1            |
| TRS232EIPWR | TSSOP        | PW              | 16   | 2000 | 330.0              | 12.4               | 6.9     | 5.6     | 1.6     | 8.0     | 12.0   | Q1            |

**TAPE AND REEL BOX DIMENSIONS**


\*All dimensions are nominal

| Device      | Package Type | Package Drawing | Pins | SPQ  | Length (mm) | Width (mm) | Height (mm) |
|-------------|--------------|-----------------|------|------|-------------|------------|-------------|
| TRS232ECDR  | SOIC         | D               | 16   | 2500 | 333.2       | 345.9      | 28.6        |
| TRS232ECDR  | SOIC         | D               | 16   | 2500 | 367.0       | 367.0      | 38.0        |
| TRS232ECDWR | SOIC         | DW              | 16   | 2000 | 350.0       | 350.0      | 43.0        |
| TRS232ECPWR | TSSOP        | PW              | 16   | 2000 | 367.0       | 367.0      | 35.0        |
| TRS232EIDR  | SOIC         | D               | 16   | 2500 | 367.0       | 367.0      | 38.0        |
| TRS232EIDWR | SOIC         | DW              | 16   | 2000 | 350.0       | 350.0      | 43.0        |
| TRS232EIPWR | TSSOP        | PW              | 16   | 2000 | 367.0       | 367.0      | 35.0        |

## GENERIC PACKAGE VIEW

**DW 16**

**SOIC - 2.65 mm max height**

7.5 x 10.3, 1.27 mm pitch

SMALL OUTLINE INTEGRATED CIRCUIT

This image is a representation of the package family, actual package may vary.  
Refer to the product data sheet for package details.



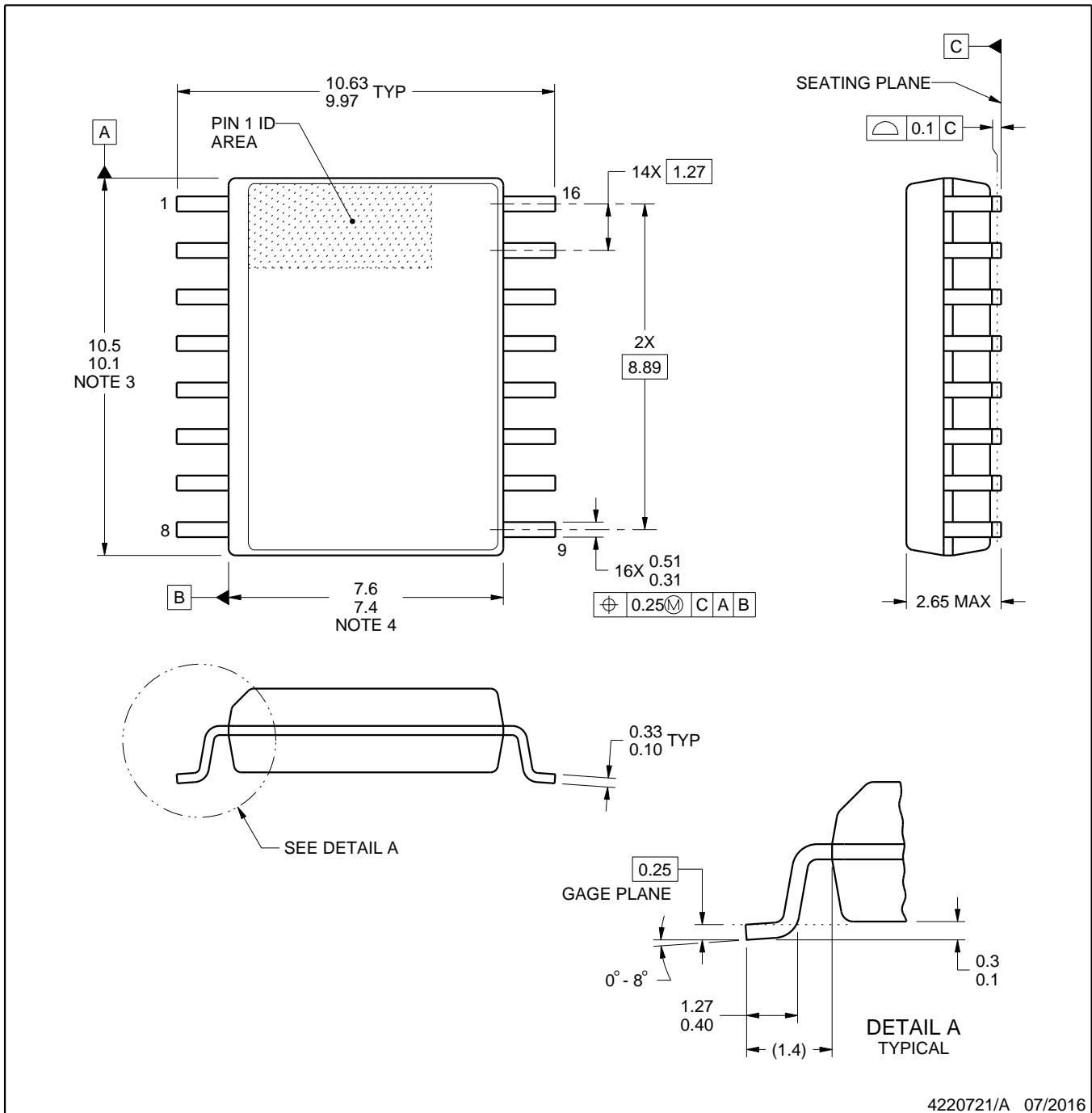
4224780/A



# DW0016A

# PACKAGE OUTLINE SOIC - 2.65 mm max height

SOIC



4220721/A 07/2016

### NOTES:

1. All linear dimensions are in millimeters. Dimensions in parenthesis are for reference only. Dimensioning and tolerancing per ASME Y14.5M.
2. This drawing is subject to change without notice.
3. This dimension does not include mold flash, protrusions, or gate burrs. Mold flash, protrusions, or gate burrs shall not exceed 0.15 mm, per side.
4. This dimension does not include interlead flash. Interlead flash shall not exceed 0.25 mm, per side.
5. Reference JEDEC registration MS-013.

# EXAMPLE BOARD LAYOUT

DW0016A

SOIC - 2.65 mm max height

SOIC



LAND PATTERN EXAMPLE  
SCALE:7X



SOLDER MASK DETAILS

4220721/A 07/2016

NOTES: (continued)

6. Publication IPC-7351 may have alternate designs.

7. Solder mask tolerances between and around signal pads can vary based on board fabrication site.

# EXAMPLE STENCIL DESIGN

DW0016A

SOIC - 2.65 mm max height

SOIC



SOLDER PASTE EXAMPLE  
BASED ON 0.125 mm THICK STENCIL  
SCALE:7X

4220721/A 07/2016

NOTES: (continued)

8. Laser cutting apertures with trapezoidal walls and rounded corners may offer better paste release. IPC-7525 may have alternate design recommendations.
9. Board assembly site may have different recommendations for stencil design.

N (R-PDIP-T\*\*)

PLASTIC DUAL-IN-LINE PACKAGE

16 PINS SHOWN



4040049/E 12/2002

- NOTES:
- A. All linear dimensions are in inches (millimeters).
  - B. This drawing is subject to change without notice.
  - (C) Falls within JEDEC MS-001, except 18 and 20 pin minimum body length (Dim A).
  - (D) The 20 pin end lead shoulder width is a vendor option, either half or full width.

D (R-PDSO-G16)

PLASTIC SMALL OUTLINE



- NOTES:
- A. All linear dimensions are in inches (millimeters).
  - B. This drawing is subject to change without notice.
  - C. Body length does not include mold flash, protrusions, or gate burrs. Mold flash, protrusions, or gate burrs shall not exceed 0.006 (0,15) each side.
  - D. Body width does not include interlead flash. Interlead flash shall not exceed 0.017 (0,43) each side.
  - E. Reference JEDEC MS-012 variation AC.

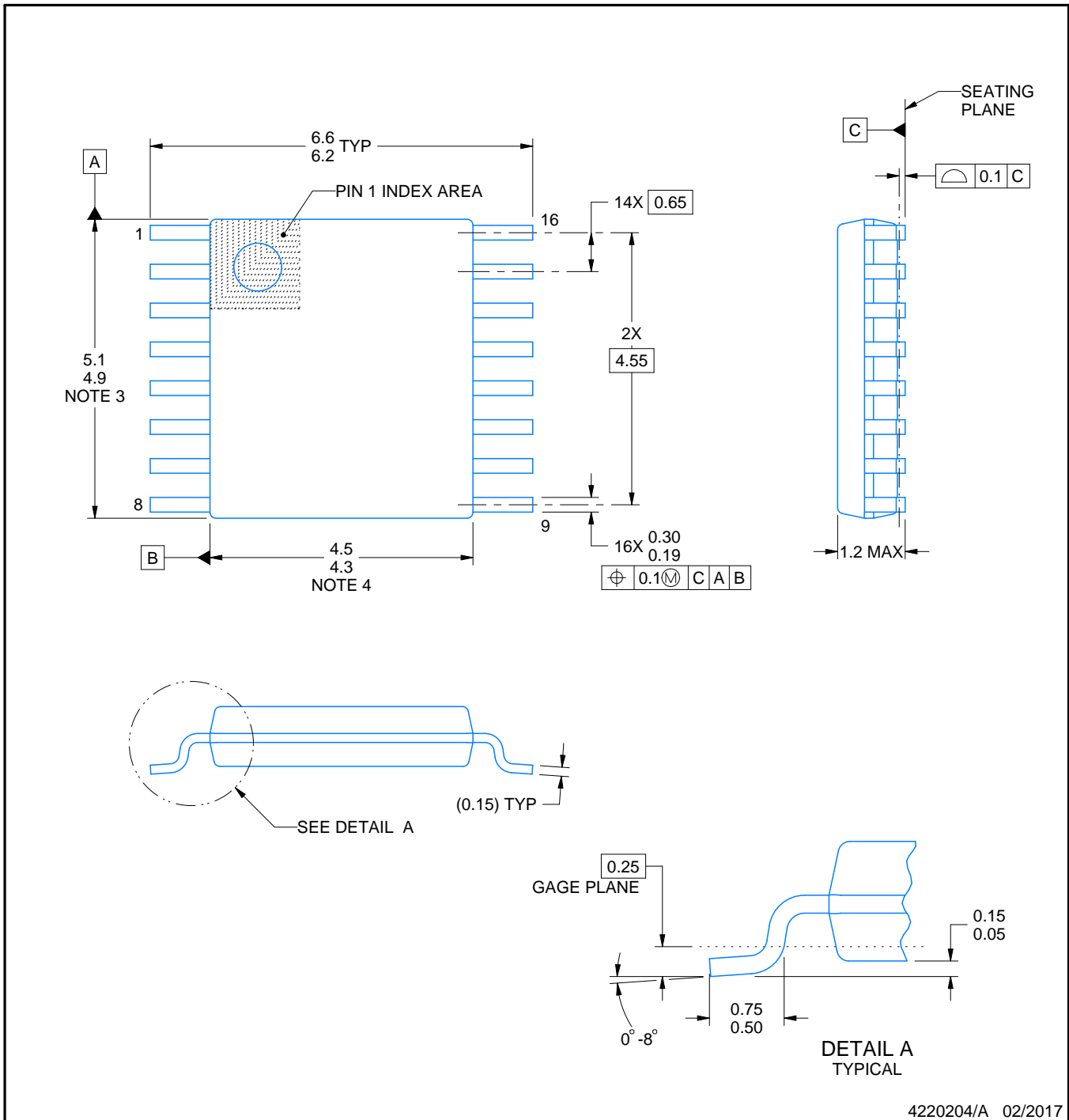
D (R-PDSO-G16)

PLASTIC SMALL OUTLINE



4211283-4/E 08/12

- NOTES:
- All linear dimensions are in millimeters.
  - This drawing is subject to change without notice.
  - Publication IPC-7351 is recommended for alternate designs.
  - Laser cutting apertures with trapezoidal walls and also rounding corners will offer better paste release. Customers should contact their board assembly site for stencil design recommendations. Refer to IPC-7525 for other stencil recommendations.
  - Customers should contact their board fabrication site for solder mask tolerances between and around signal pads.



4220204/A 02/2017

NOTES:

1. All linear dimensions are in millimeters. Any dimensions in parenthesis are for reference only. Dimensioning and tolerancing per ASME Y14.5M.
2. This drawing is subject to change without notice.
3. This dimension does not include mold flash, protrusions, or gate burrs. Mold flash, protrusions, or gate burrs shall not exceed 0.15 mm per side.
4. This dimension does not include interlead flash. Interlead flash shall not exceed 0.25 mm per side.
5. Reference JEDEC registration MO-153.

# EXAMPLE BOARD LAYOUT

PW0016A

TSSOP - 1.2 mm max height

SMALL OUTLINE PACKAGE



LAND PATTERN EXAMPLE  
EXPOSED METAL SHOWN  
SCALE: 10X



SOLDER MASK DETAILS

4220204/A 02/2017

NOTES: (continued)

- 6. Publication IPC-7351 may have alternate designs.
- 7. Solder mask tolerances between and around signal pads can vary based on board fabrication site.

# EXAMPLE STENCIL DESIGN

PW0016A

TSSOP - 1.2 mm max height

SMALL OUTLINE PACKAGE



SOLDER PASTE EXAMPLE  
BASED ON 0.125 mm THICK STENCIL  
SCALE: 10X

4220204/A 02/2017

NOTES: (continued)

8. Laser cutting apertures with trapezoidal walls and rounded corners may offer better paste release. IPC-7525 may have alternate design recommendations.
9. Board assembly site may have different recommendations for stencil design.

## IMPORTANT NOTICE AND DISCLAIMER

TI PROVIDES TECHNICAL AND RELIABILITY DATA (INCLUDING DATASHEETS), DESIGN RESOURCES (INCLUDING REFERENCE DESIGNS), APPLICATION OR OTHER DESIGN ADVICE, WEB TOOLS, SAFETY INFORMATION, AND OTHER RESOURCES "AS IS" AND WITH ALL FAULTS, AND DISCLAIMS ALL WARRANTIES, EXPRESS AND IMPLIED, INCLUDING WITHOUT LIMITATION ANY IMPLIED WARRANTIES OF MERCHANTABILITY, FITNESS FOR A PARTICULAR PURPOSE OR NON-INFRINGEMENT OF THIRD PARTY INTELLECTUAL PROPERTY RIGHTS.

These resources are intended for skilled developers designing with TI products. You are solely responsible for (1) selecting the appropriate TI products for your application, (2) designing, validating and testing your application, and (3) ensuring your application meets applicable standards, and any other safety, security, or other requirements. These resources are subject to change without notice. TI grants you permission to use these resources only for development of an application that uses the TI products described in the resource. Other reproduction and display of these resources is prohibited. No license is granted to any other TI intellectual property right or to any third party intellectual property right. TI disclaims responsibility for, and you will fully indemnify TI and its representatives against, any claims, damages, costs, losses, and liabilities arising out of your use of these resources.

TI's products are provided subject to TI's Terms of Sale ([www.ti.com/legal/termsofsale.html](http://www.ti.com/legal/termsofsale.html)) or other applicable terms available either on [ti.com](http://ti.com) or provided in conjunction with such TI products. TI's provision of these resources does not expand or otherwise alter TI's applicable warranties or warranty disclaimers for TI products.

Mailing Address: Texas Instruments, Post Office Box 655303, Dallas, Texas 75265  
Copyright © 2019, Texas Instruments Incorporated

## Looking for pricing, stock, or lifecycle information?

Click below to explore more details on WIN SOURCE:

 [View TRS232EIN](#) on WIN SOURCE

 [Texas Instruments](#) Information

## Optimize Your Supply Chain with WIN SOURCE Solutions

-  Global Sourcing Solution
-  Obsolete Management
-  Cost Control Management
-  Shortage Management
-  Alternative Solution
-  Excess Inventory Management