



**THE DATASHEET OF  
STS10P4LLF6**



## P-channel 40 V, 0.0125 $\Omega$ typ., 10 A, StripFET™ F6 Power MOSFET in SO-8 package

Datasheet - production data

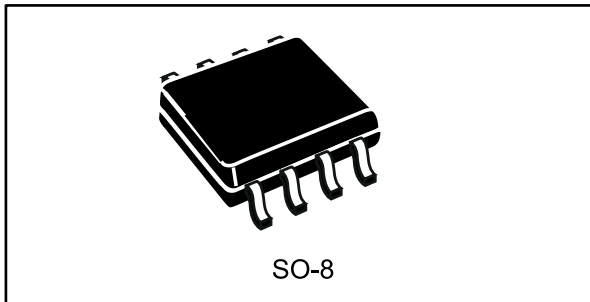
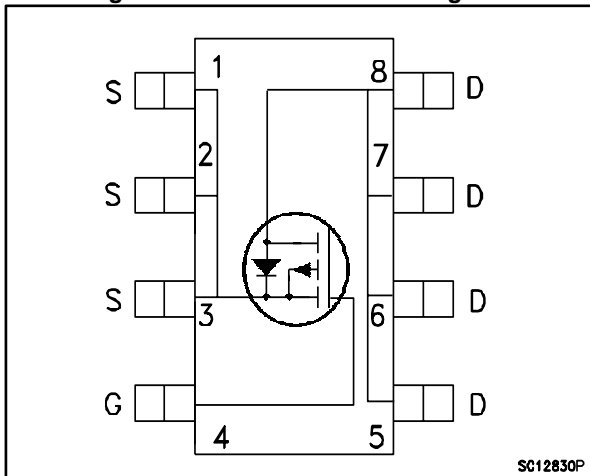


Figure 1: Internal schematic diagram



- Very low on-resistance
- Very low gate charge
- High avalanche ruggedness
- Low gate drive power loss

### Applications


- Switching applications

### Description

This device is a P-channel Power MOSFET developed using the StripFET™ F6 technology with a new trench gate structure. The resulting Power MOSFET exhibits very low  $R_{DS(on)}$  in all packages.

Table 1: Device summary

Order code	Marking	Package	Packaging
STS10P4LLF6	10K4L	SO-8	Tape and reel

 For the P-channel MOSFET actual polarity of voltages and current have to be reversed

### Features

Order code	$V_{DS}$	$R_{DS(on)}$ max.	$I_D$
STS10P4LLF6	40 V	0.015	10 A

---

**Contents**

<b>1</b>	<b>Electrical ratings .....</b>	<b>3</b>
<b>2</b>	<b>Electrical characteristics .....</b>	<b>4</b>
<b>3</b>	<b>Electrical characteristics (curves).....</b>	<b>6</b>
<b>4</b>	<b>Test circuits .....</b>	<b>8</b>
<b>5</b>	<b>Package mechanical data .....</b>	<b>9</b>
	5.1    SO-8 package mechanical data .....	9
<b>6</b>	<b>Packaging mechanical data.....</b>	<b>12</b>
<b>7</b>	<b>Revision history .....</b>	<b>13</b>

# 1 Electrical ratings

**Table 2: Absolute maximum ratings**

Symbol	Parameter	Value	Unit
$V_{DS}$	Drain-source voltage	40	V
$V_{GS}$	Gate- source voltage	$\pm 20$	V
$I_D$	Drain current (continuous) at $T_{amb} = 25\text{ }^{\circ}\text{C}$	10	A
$I_D$	Drain current (continuous) at $T_{amb} = 100\text{ }^{\circ}\text{C}$	5.6	A
$I_{DM}^{(1)}$	Drain current (pulsed)	40	A
$P_{TOT}^{(1)}$	Total dissipation at $T_{amb} = 25\text{ }^{\circ}\text{C}$	2.7	W
$T_{stg}$	Storage temperature	-55 to 150	$^{\circ}\text{C}$
$T_j$	Operating junction temperature	150	$^{\circ}\text{C}$

**Notes:**

<sup>(1)</sup>Pulse width limited by safe operating area

**Table 3: Thermal data**

Symbol	Parameter	Value	Unit
$R_{thj-amb}^{(1)}$	Thermal resistance junction-ambient	47	$^{\circ}\text{C/W}$

**Notes:**

<sup>(1)</sup>When mounted on 1 inch<sup>2</sup> FR-4 board, 2 oz. Cu.,  $t \leq 10$  sec



For the P-channel MOSFET actual polarity of voltages and current have to be reversed

## 2 Electrical characteristics

( $T_{CASE} = 25\text{ °C}$  unless otherwise specified)

**Table 4: On/off states**

Symbol	Parameter	Test conditions	Min.	Typ.	Max.	Unit
$V_{(BR)DSS}$	Drain-source breakdown voltage	$I_D = 250\ \mu\text{A}$	40			V V
$I_{DSS}$	Zero gate voltage drain current ( $V_{GS} = 0$ )	$V_{DS} = 40\ \text{V}$			1	$\mu\text{A}$
		$V_{DS} = 30\ \text{V}$ , $T_C = 125\text{ °C}$			10	
$I_{GSS}$	Gate-body leakage current ( $V_{DS} = 0$ )	$V_{GS} = \pm 20\ \text{V}$			$\pm 100$	nA
$V_{GS(th)}$	Gate threshold voltage	$V_{DS} = V_{GS}$ , $I_D = 250\ \mu\text{A}$	1			V
$R_{DS(on)}$	Static drain-source on-resistance	$V_{GS} = 10\ \text{V}$ , $I_D = 3\ \text{A}$		0.0125	0.015	$\Omega$
		$V_{GS} = 4.5\ \text{V}$ , $I_D = 3\ \text{A}$		0.017	0.02	$\Omega$

**Table 5: Dynamic**

Symbol	Parameter	Test conditions	Min.	Typ.	Max.	Unit
$C_{iss}$	Input capacitance	$V_{DS} = 25\ \text{V}$ , $f = 1\ \text{MHz}$ , $V_{GS} = 0$	-	3525	-	pF
$C_{oss}$	Output capacitance		-	344	-	pF
$C_{rss}$	Reverse transfer capacitance		-	238.5	-	pF
$Q_g$	Total gate charge	$V_{DD} = 20\ \text{V}$ , $I_D = 10\ \text{A}$ $V_{GS} = 4.5\ \text{V}$	-	34	-	nC
$Q_{gs}$	Gate-source charge		-	11.3	-	nC
$Q_{gd}$	Gate-drain charge		-	13.8	-	nC

**Table 6: Switching times**

Symbol	Parameter	Test conditions	Min.	Typ.	Max.	Unit
$t_{d(on)}$	Turn-on delay time	$V_{DD} = 20\ \text{V}$ , $I_D = 5\ \text{A}$ $R_G = 4.7\ \Omega$ $V_{GS} = 10\ \text{V}$	-	49.4	-	ns
$t_r$	Rise time			60.6		
$t_{d(off)}$	Turn-off delay time			170		
$t_f$	Fall time			20		



For the P-channel MOSFET actual polarity of voltages and current have to be reversed

Table 7: Source-drain diode

Symbol	Parameter	Test conditions	Min.	Typ.	Max.	Unit
$V_{SD}^{(1)}$	Forward on voltage	$I_{SD} = 3 \text{ A}$ , $V_{GS} = 0$	-		1.1	V
$t_{rr}$	Reverse recovery time	$I_{SD} = 5 \text{ A}$ , $di/dt = 100 \text{ A}/\mu\text{s}$ $V_{DD} = 10 \text{ V}$ , $T_j = 150 \text{ }^\circ\text{C}$	-	29		ns
$Q_{rr}$	Reverse recovery charge		-	27.6		nC
$I_{RRM}$	Reverse recovery current		-	1.9		A

**Notes:**

<sup>(1)</sup>Pulsed: pulse duration = 300  $\mu\text{s}$ , duty cycle 1.5%



For the P-channel MOSFET actual polarity of voltages and current have to be reversed

### 3 Electrical characteristics (curves)

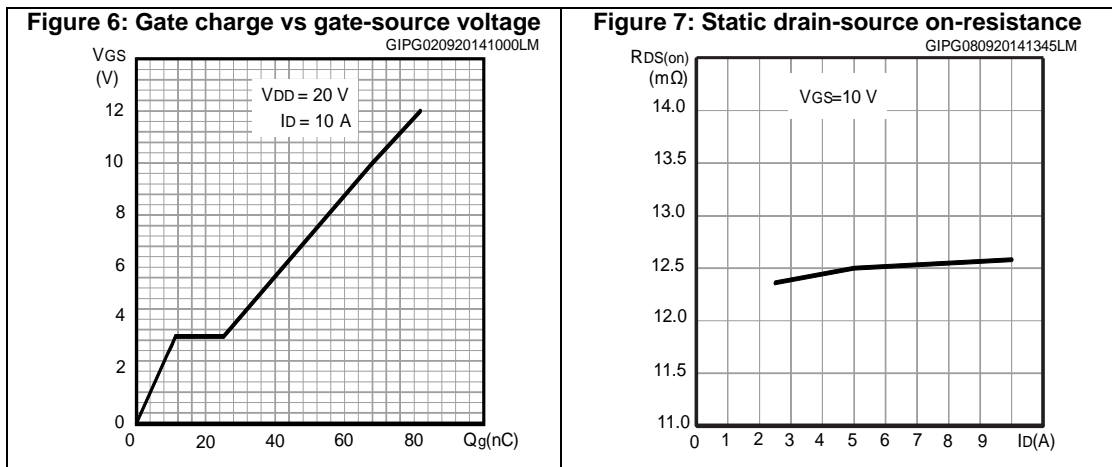
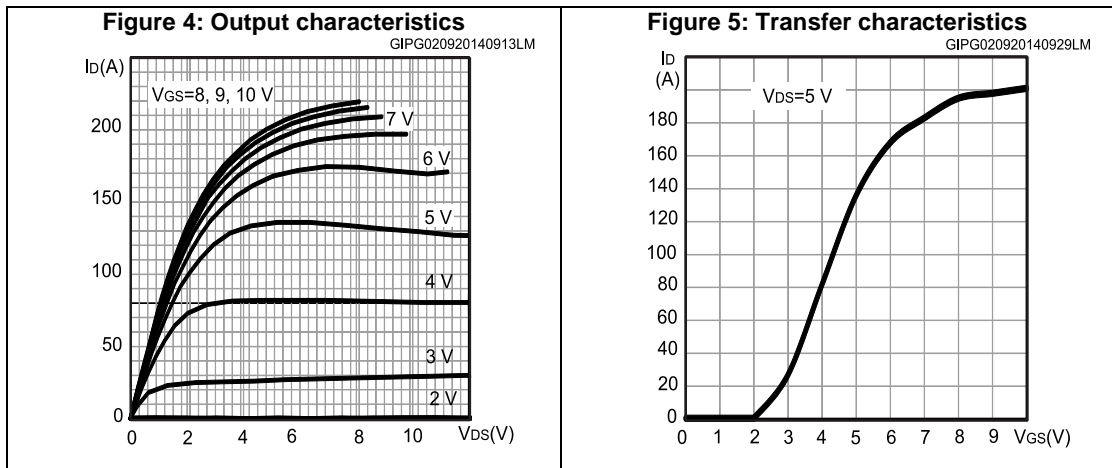
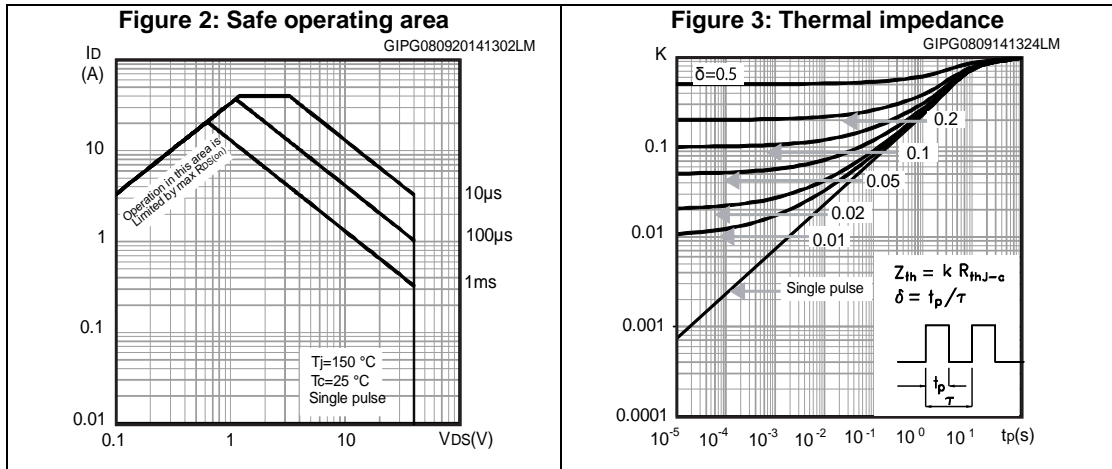


Figure 8: Capacitance variation

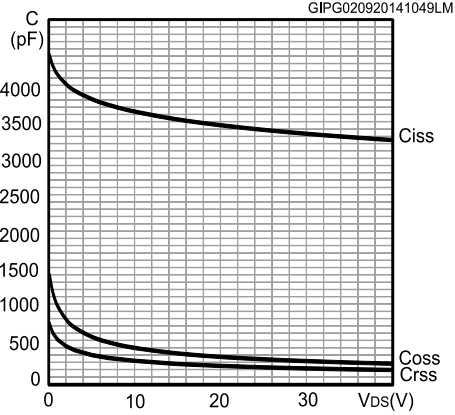


Figure 9: Normalized gate threshold voltage vs temperature

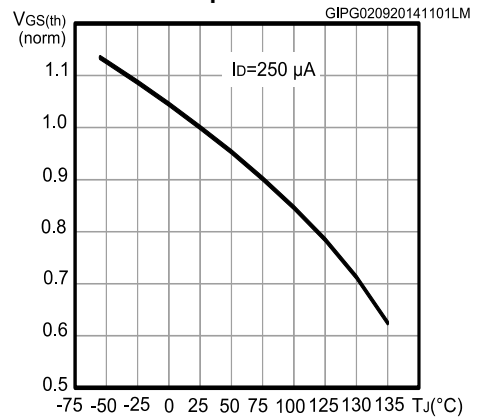


Figure 10: Normalized on-resistance vs temperature

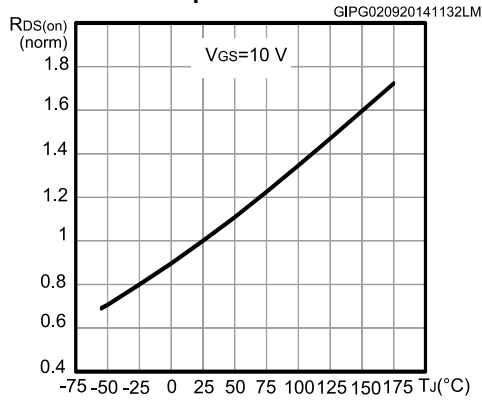


Figure 11: Normalized VBR(DSS) vs temperature

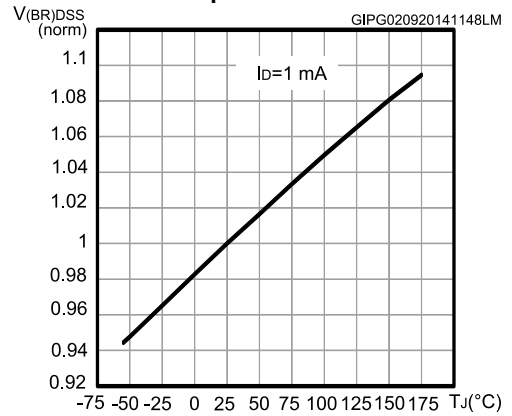
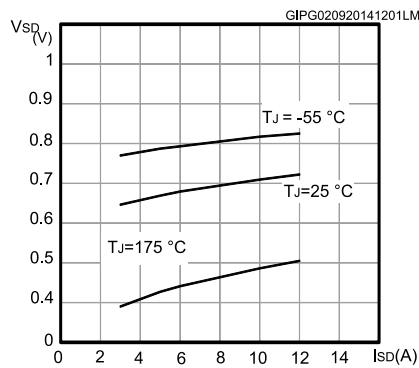
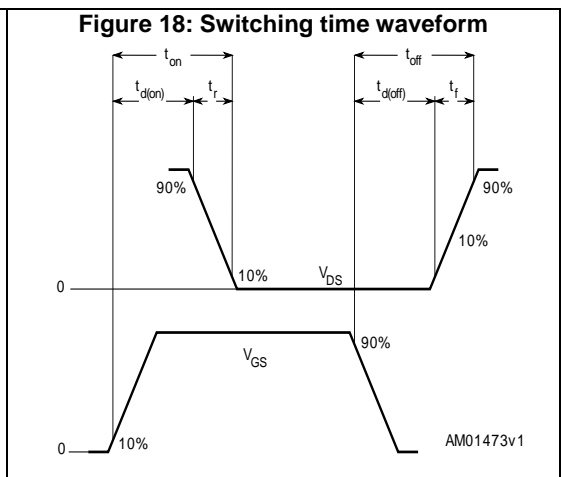
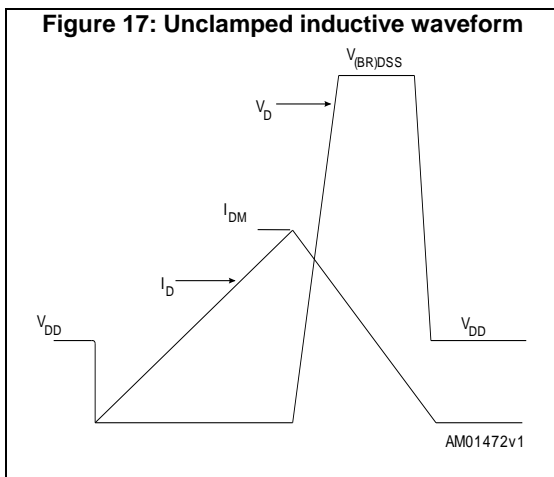
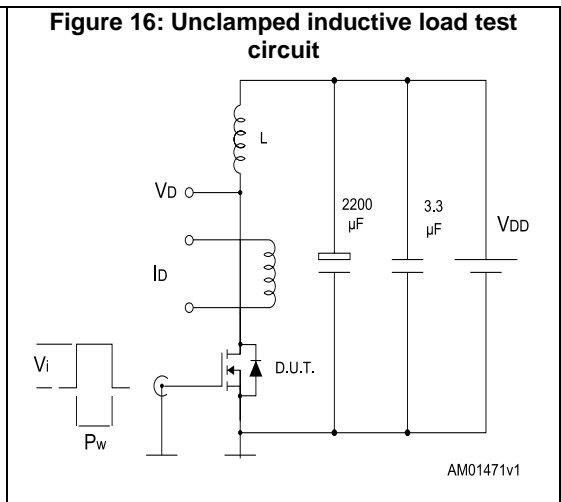
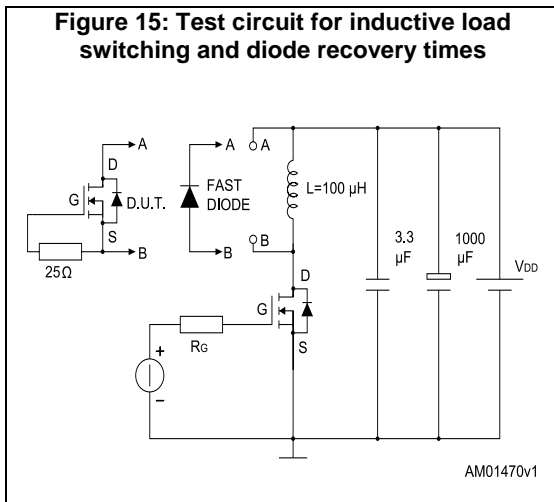
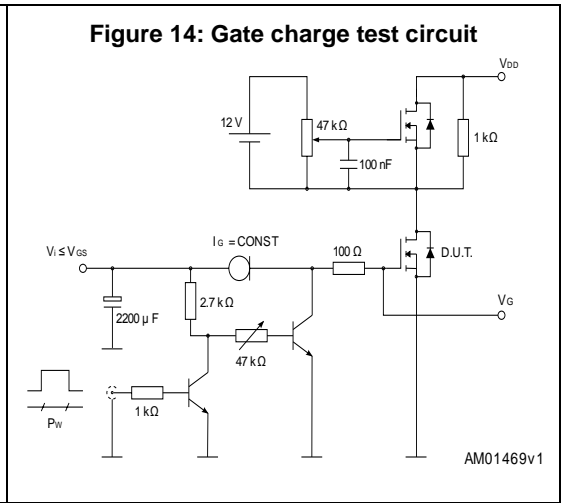
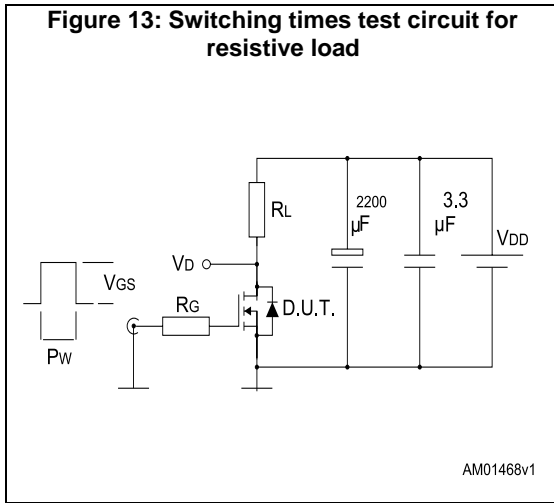


Figure 12: Source-drain diode forward characteristics



# 4 Test circuits



## 5 Package mechanical data

In order to meet environmental requirements, ST offers these devices in different grades of ECOPACK® packages, depending on their level of environmental compliance. ECOPACK® specifications, grade definitions and product status are available at: [www.st.com](http://www.st.com). ECOPACK® is an ST trademark.

### 5.1 SO-8 package mechanical data

Figure 19: SO-8 drawings

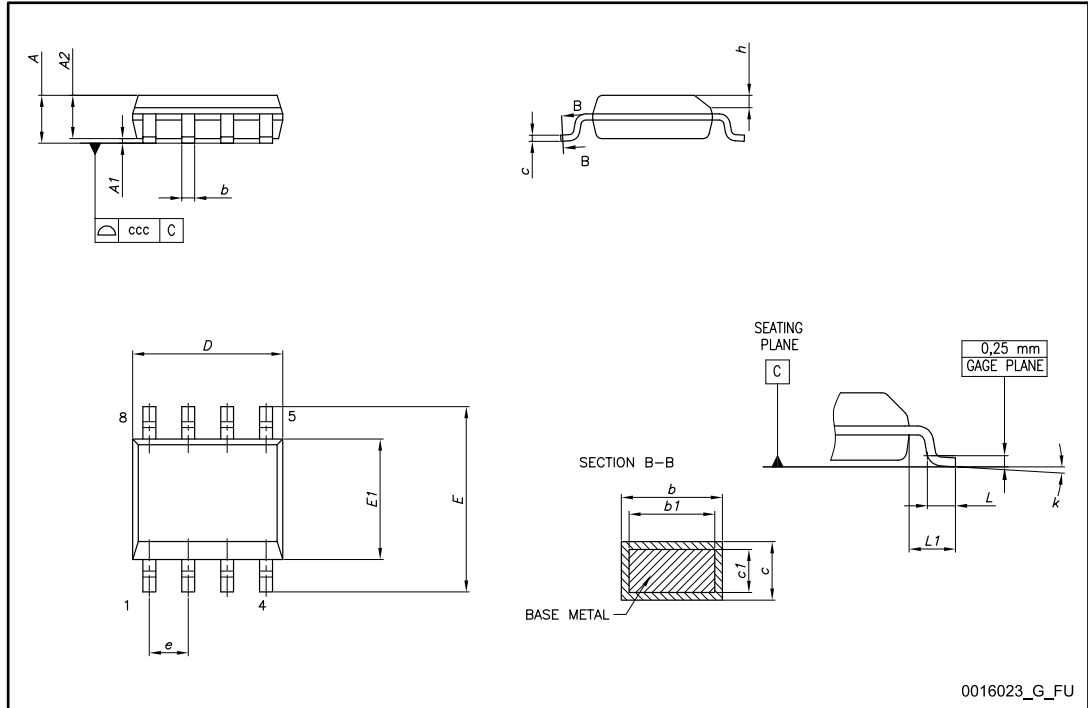
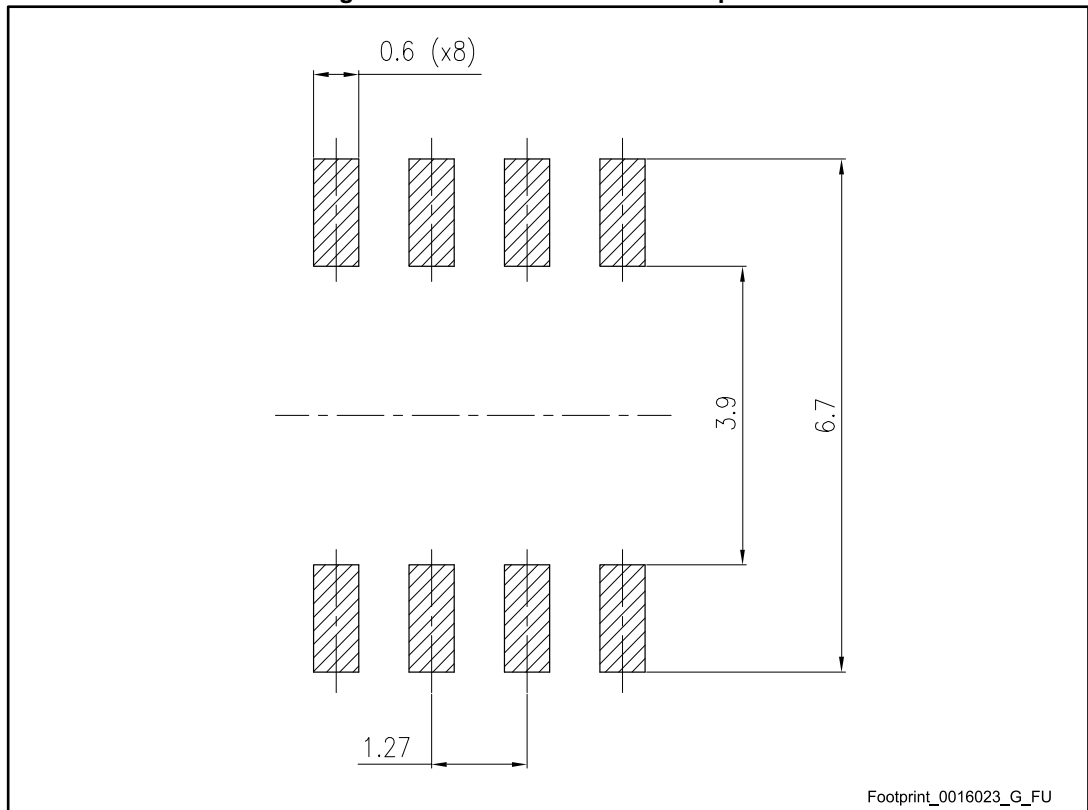


Table 8: SO-8 mechanical data

Dim.	mm		
	Min.	Typ.	Max.
A			1.75
A1	0.10		0.25
A2	1.25		
b	0.31		0.51
b1	0.28		0.48
c	0.10		0.25
c1	0.10		0.23
D	4.80	4.90	5.00
E	5.80	6.00	6.20
E1	3.80	3.90	4.00
e		1.27	
h	0.25		0.50
L	0.40		1.27
L1		1.04	
L2		0.25	
k	0°		8°
ccc			0.10

Figure 20: SO-8 recommended footprint



All dimensions are in mm

## 6 Packaging mechanical data

Figure 21: SO-8 tape and reel dimensions

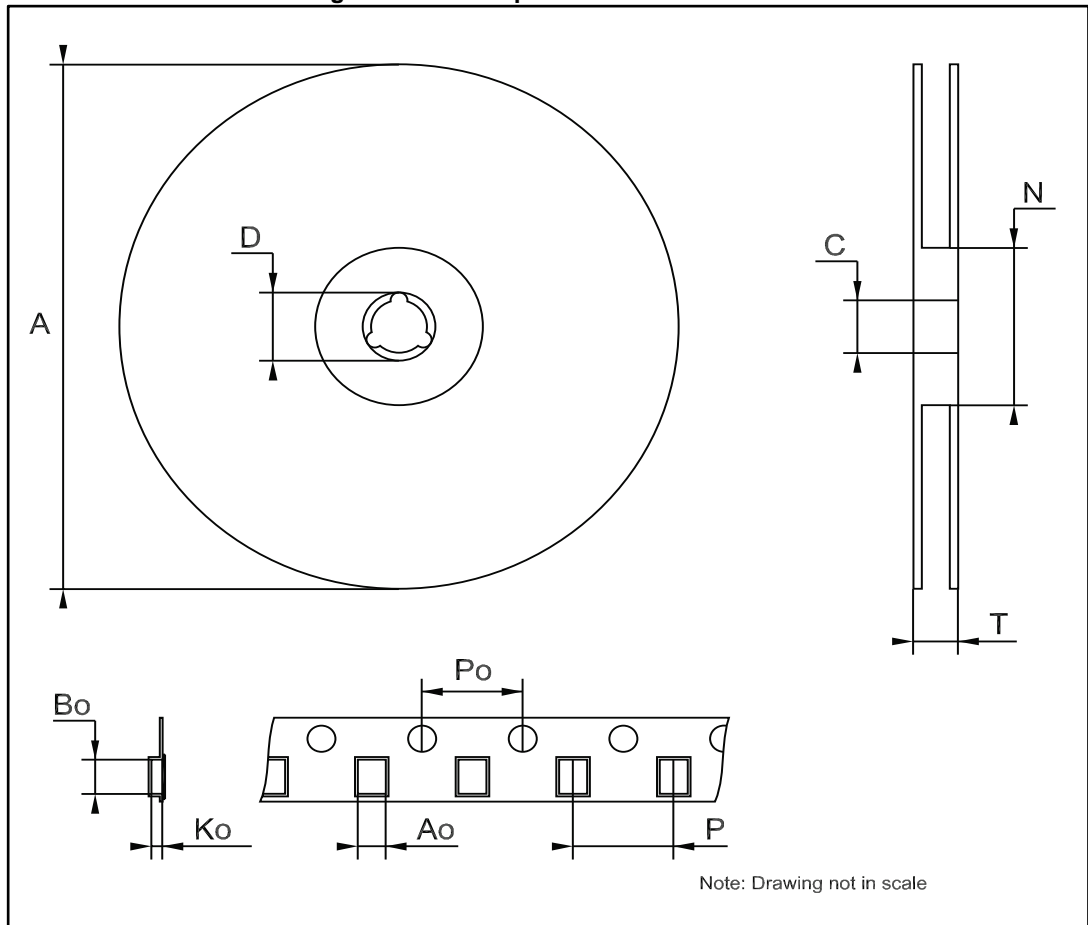


Table 9: SO-8 tape and reel mechanical data

Dim.	mm		
	Min.	Typ.	Max.
A			330
C	12.8		13.2
D	20.2		
N	60		
T			22.4
Ao	8.1		8.5
Bo	5.5		5.9
Ko	2.1		2.3
Po	3.9		4.1
P	7.9		8.1

## 7 Revision history

**Table 10: Revision history**

Date	Revision	Changes
20-Jan-2014	1	First revision.
09-Sep-2014	2	Changed the title. Updated <i>Section "Features"</i> and <i>Section "Description"</i> . Updated <i>Table 4: "On/off states"</i> , <i>Table 5: "Dynamic"</i> , <i>Table 6: "Switching times"</i> , <i>Table 7: "Source-drain diode"</i> . Added <i>Section 3: "Electrical characteristics (curves)"</i> .
16-Dec-2014	3	Document status promoted from preliminary data to production data. Minor text changes.

**IMPORTANT NOTICE – PLEASE READ CAREFULLY**

STMicroelectronics NV and its subsidiaries ("ST") reserve the right to make changes, corrections, enhancements, modifications, and improvements to ST products and/or to this document at any time without notice. Purchasers should obtain the latest relevant information on ST products before placing orders. ST products are sold pursuant to ST's terms and conditions of sale in place at the time of order acknowledgement.

Purchasers are solely responsible for the choice, selection, and use of ST products and ST assumes no liability for application assistance or the design of Purchasers' products.

No license, express or implied, to any intellectual property right is granted by ST herein.

Resale of ST products with provisions different from the information set forth herein shall void any warranty granted by ST for such product.



ST and the ST logo are trademarks of ST. All other product or service names are the property of their respective owners.

Information in this document supersedes and replaces information previously supplied in any prior versions of this document.

© 2014 STMicroelectronics – All rights reserved

## Looking for pricing, stock, or lifecycle information?

Click below to explore more details on WIN SOURCE:

-  [View STS10P4LLF6 on WIN SOURCE](#)
-  [STMicroelectronics Information](#)

## Optimize Your Supply Chain with WIN SOURCE Solutions

-  Global Sourcing Solution
-  Obsolete Management
-  Cost Control Management
-  Shortage Management
-  Alternative Solution
-  Excess Inventory Management