



**THE DATASHEET OF  
7311E0225S01001LF**



PART NUMBER : 7311E0225S01001LF

**GENERAL :**

High cycle life duration smart card connector with landing type contacts mechanism. The landing type connector also provides the feature of recessed contacts when card is not inserted which protects them against vandalism. Smart card for reference purposes only.

**ELECTRICAL PROPERTIES:**

Insulation resistance : > 1000MΩ  
 Dielectric withstanding voltage : > 750 Vrms  
 Current carrying capacity : Min 10μA, Max 1A  
 Contact resistance : < 100mΩ

**MECHANICAL PROPERTIES :**

Operating force : Insertion : F < 10N  
 Withdrawal : 1 < F < 10N  
 Contact Normal force : 0.2 < F < 0.3 for 0.6mm of deflection  
 Durability : 500,000 mating cycles

**MATERIAL :**

Head reader : High temp. Thermoplastic, Black, Rated UL94V0  
 Cover : High temp. Thermoplastic, Colour. Black, Rated UL94V0  
 Contacts : Copper alloy,  
 Plating : Nickel min. all over  
 Gold/Equivalent PdNi on contact area  
 Matte tin min. on solder tails

**ENVIRONMENT :**

Operating temperature : -40°C / +85°C  
 Climatic conditions : UTE 93-421

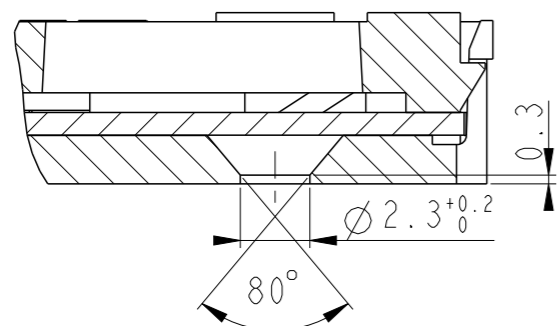
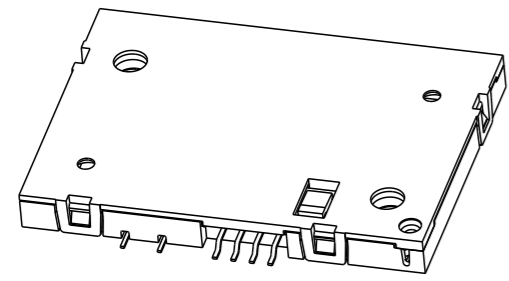
**PACKAGING :**

Plastic cavity tray

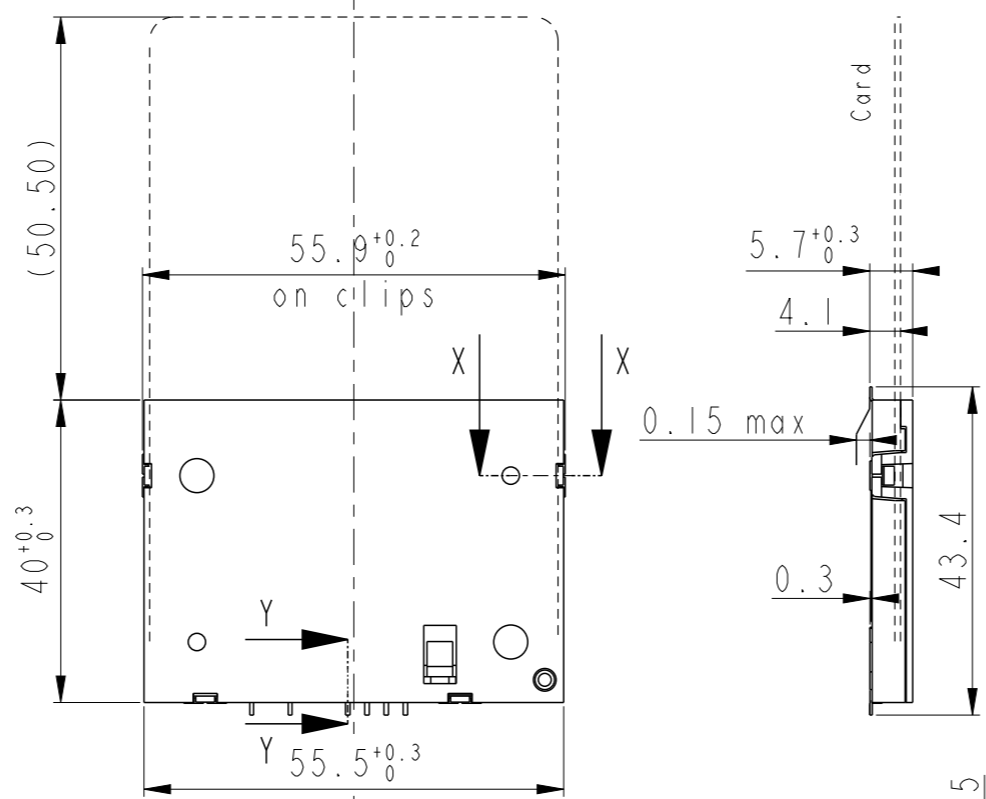
**LEAD FREE VERSION:**

"This product meets European Union Directives and other country regulations as described in GS-47-0004"

The housing will withstand exposure to 260°C peak temperature for 10seconds in a convection reflow oven.

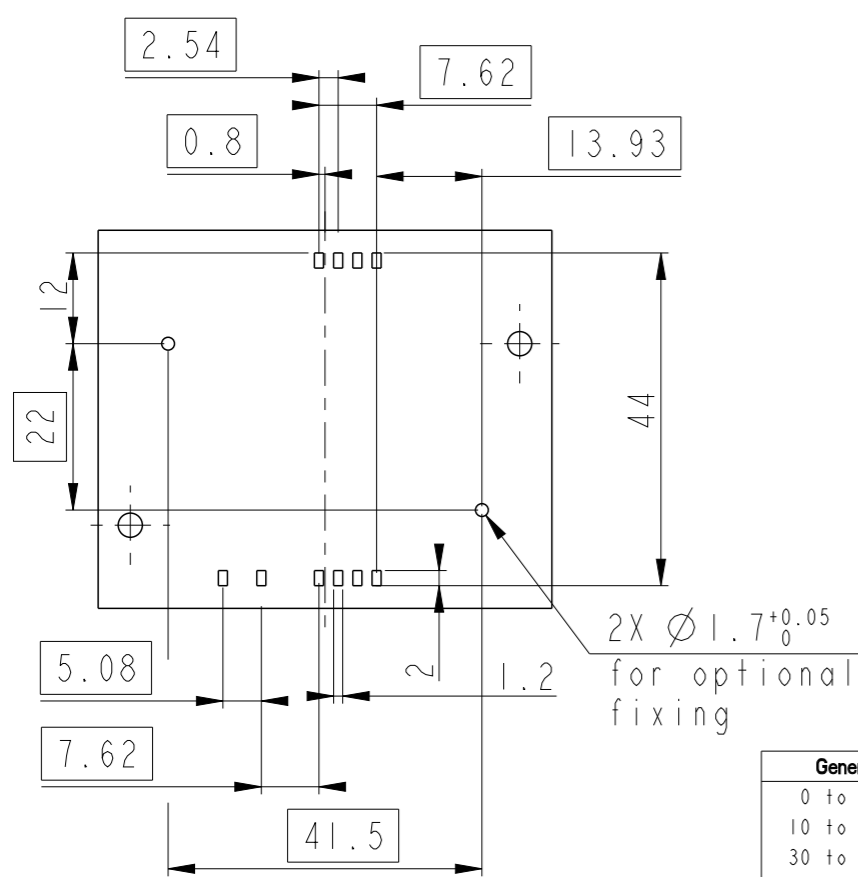


SECTION X-X  
SCALE 4:1

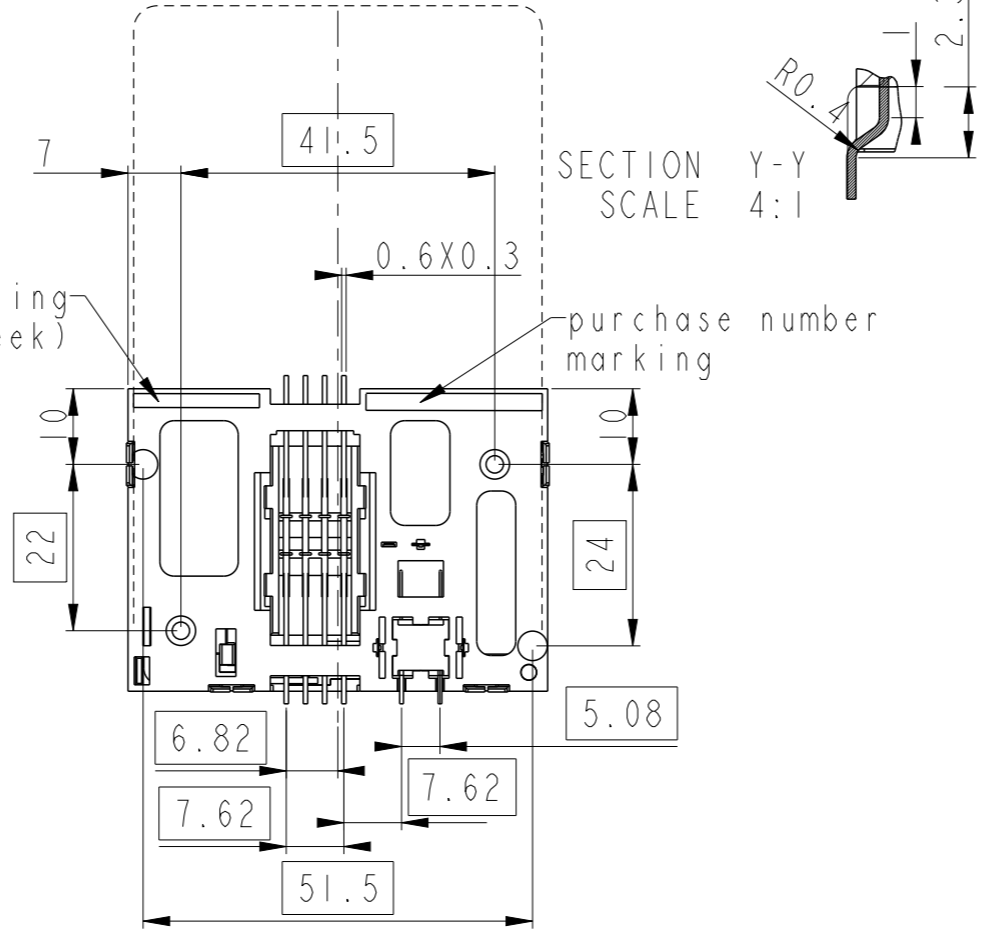


SECTION Y-Y  
SCALE 4:1

**Recommended PCB Layout (Component side)**



manufacturing date (year-week)      purchase number marking



spec ref	--	dr	P-Mathew Nebu	2014/02/26
tolerance std	ISO 406 ISO 1101	eng	P-Mathew Nebu	2014/03/03
	TOLERANCES UNLESS OTHERWISE SPECIFIED	chr	-	-
		appr	K-Paul Biju	2014/03/03

General Tolerances	
0 to 10mm:	±0.1mm
10 to 30mm:	±0.15mm
30 to 60mm:	±0.2mm
60 and more:	±0.3mm

surface	ISO 1302	linear	0.X	±
			0.XX	±
			0.XXX	±
		angular	0°	±°

projection	mm	size	A3	scale	1:1
product family	MOBILE I/O	ecn no	-	rel level	Released
title	8 POS. SMT E02 WITHOUT PEGS SMART CARD READER - EXTENDED TYPE	dwg no	10128659	rev	A
www.fci.com	cat. no.	-	Product - Customer Drw	sheet 1 of 1	

## Looking for pricing, stock, or lifecycle information?

Click below to explore more details on WIN SOURCE:

 [View 7311E0225S01001LF on WIN SOURCE](#)

 [Amphenol FCI Information](#)

## Optimize Your Supply Chain with WIN SOURCE Solutions

-  Global Sourcing Solution
-  Obsolete Management
-  Cost Control Management
-  Shortage Management
-  Alternative Solution
-  Excess Inventory Management