



**THE DATASHEET OF  
LP3905SD-30/NOPB**



# LP3905 Power Management Unit For Low Power Handheld Applications

Check for Samples: [LP3905](#)

## FEATURES

- Two Buck Regulators for Powering High Current Processor Functions or Peripheral Devices
- Two Linear Regulators for Powering Internal Processor Functions and I/Os
- One Enable Pin for Buck1 and Linear Regulators 1 and 2
- Separate Enable Pin for Buck2
- Thermal and Current Overload Protection
- Small 14–Pin WSON Package (4x4mmx0.8mm)

## APPLICATIONS

- Baseband Processors
- Peripheral Processor (Video, Audio)
- I/O Power
- FPGA Power

## DESCRIPTION

LP3905 is a multi-functional Power Management Unit, optimized for low power handheld applications. This device integrates two 600mA DC-DC buck regulators and two 150mA linear regulators. Fixed and adjustable buck output versions are available. The LP3905 additionally features two enable pins for the device output control and is offered in an WSON package.

## KEY SPECIFICATIONS

### Buck Regulators

- Fixed and Adjustable Voltage Options, Range 1.0V to 3.3V<sup>(1)</sup>
  - Up to 90% Efficiency
  - Auto-Switching PFM-PWM Mode and Fixed PWM Mode
  - 2MHz PWM Fixed Switching Frequency (Typ)
  - 600mA Output Current
  - $\pm 4\%$  Output Voltage Accuracy Over Temp
  - Internal SoftStart
  - 2.2 $\mu$ H Inductor, 10 $\mu$ F Input and Output Caps
- ### Linear Regulators
- Output Options in the Range 1.5V to 3.3V<sup>(1)</sup>
  - 13.5 $\mu$ V<sub>rms</sub> Output Voltage Noise
  - PSRR - 70dB @ 1kHz
  - $\pm 3\%$  Output Voltage Accuracy Over Full Line and Load Regulation
  - 0mA to 150mA Output Current
  - C<sub>in</sub> = 1.0 $\mu$ F, C<sub>out</sub> = 0.47 $\mu$ F for 100mA O/P
  - C<sub>in</sub> = 1.0 $\mu$ F, C<sub>out</sub> = 1.0 $\mu$ F for 150mA O/P
  - 80mV Dropout Voltage

(1) Fixed output voltage devices can be customized to fit system requirements. Please contact Texas Instruments Sales Office.

## Typical Application Circuit

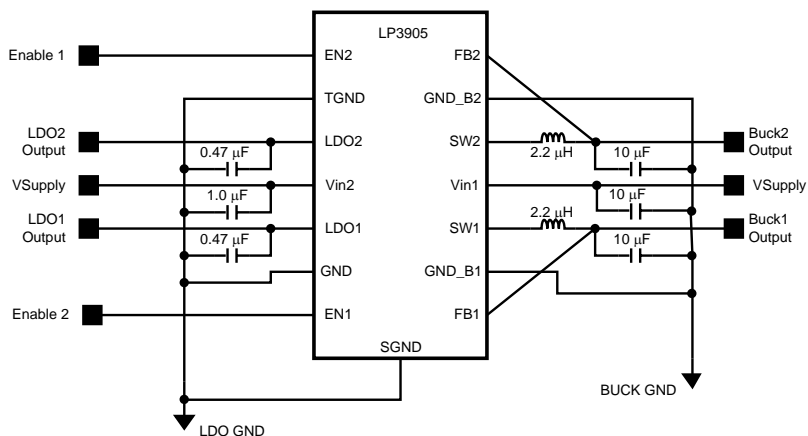
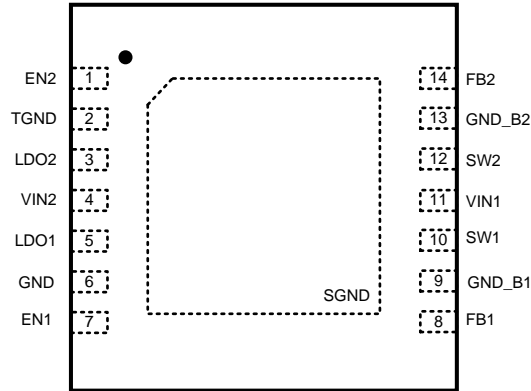


Figure 1. Typical Application Circuit – 14-Pin WSON Package

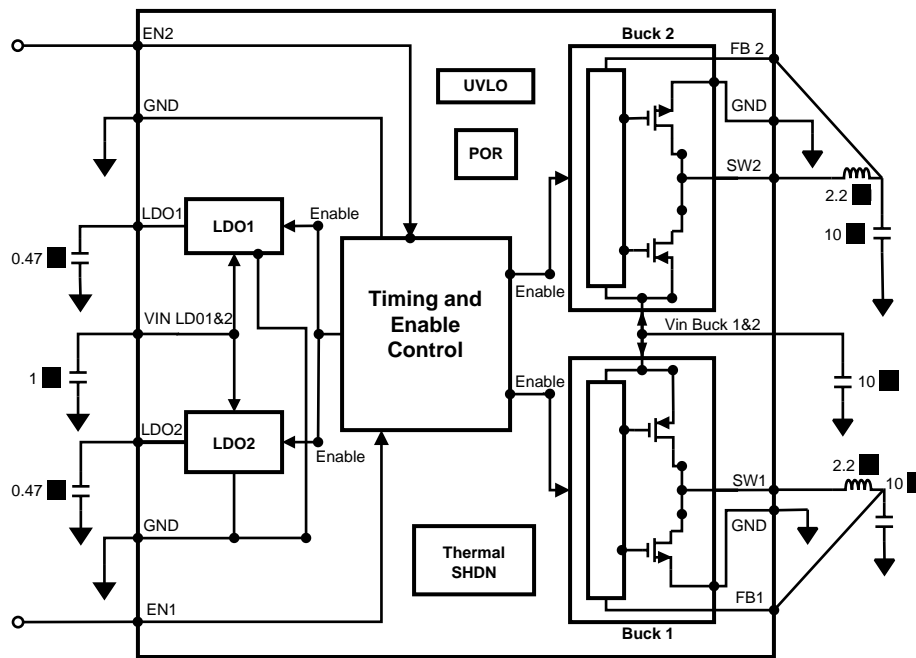


Please be aware that an important notice concerning availability, standard warranty, and use in critical applications of Texas Instruments semiconductor products and disclaimers thereto appears at the end of this data sheet.



**Figure 2. Connection Diagram  
14-Pin WSON Package  
See Package Number NHL0014B**

**Block Diagram**



**Figure 3. Simplified Functional Diagram**

**PIN DESCRIPTIONS**

Pin No.	Name	Description
1	EN2	Enable Pin for Buck2
2	TGND	Ground Pin
3	LDO2	LDO2 Output Pin
4	VIN2	Input Power Terminal to LDO1 and 2
5	LDO1	LDO1 Output Pin
6	GND	LDO1 and 2 Ground Pin
7	EN1	Enable Pin for Buck1 and LDO1 and 2
8	FB1	Buck1 Feedback Pin
9	GND_B1	Buck1 Ground Pin
10	SW1	Buck1 Switch Pin
11	VIN1	Input Power Terminal to Buck1 and 2
12	SW2	Buck2 Switch Pin
13	GND_B2	Buck2 Ground Pin
14	FB2	Buck2 Feedback Pin
DAP	SGND	Die Attach Pad (DAP)



These devices have limited built-in ESD protection. The leads should be shorted together or the device placed in conductive foam during storage or handling to prevent electrostatic damage to the MOS gates.

### Absolute Maximum Ratings<sup>(1)(2)</sup>

$V_{IN1}, V_{IN2}$	-0.2V to 6.0V
FB1, FB2, EN1, EN2	(GND-0.2V) to ( $V_{IN} + 0.2V$ ) to 6.0V (max)
Continuous Power Dissipation <sup>(3)</sup>	Internally Limited
Junction Temperature ( $T_{J-MAX}$ )	+150°C
Storage Temperature Range	-65°C to +150°C
Maximum Lead Temperature (Soldering, 10 sec.)	260°C
ESD Rating <sup>(4)</sup>	Human Body Model 2.5kV

- (1) Absolute Maximum Ratings indicate limits beyond which damage to the component may occur. Operating Ratings are conditions under which operation of the device is ensured. Operating Ratings do not imply ensured performance limits. For ensured performance limits and associated test conditions, see the Electrical Characteristics tables.
- (2) If Military/Aerospace specified devices are required, please contact the Texas Instruments Sales Office/ Distributors for availability and specifications.
- (3) Internal thermal shutdown circuitry protects the device from permanent damage.
- (4) The Human body model is a 100 pF capacitor discharged through a 1.5 k $\Omega$  resistor into each pin. MIL-STD-883 3015.7

### Operating Ratings<sup>(1)(2)</sup>

$V_{IN1}$ (Buck1 and 2 Input Voltage), $V_{IN2}$ (LDO1 and 2 Input Voltage) <sup>(3)</sup>	3V to 5.5V
Recommended Load Current (Buck)	0mA to 600 mA
Recommended Load Current (LDO)	0mA to 100mA with 0.47 $\mu$ F O/P cap 0mA to 150mA with 1.0 $\mu$ F O/P cap
Junction Temperature ( $T_J$ ) Range	-40°C to +125°C
Ambient Temperature ( $T_A$ ) Range <sup>(4)</sup>	-40°C to +85°C

- (1) Absolute Maximum Ratings indicate limits beyond which damage to the component may occur. Operating Ratings are conditions under which operation of the device is ensured. Operating Ratings do not imply ensured performance limits. For ensured performance limits and associated test conditions, see the Electrical Characteristics tables.
- (2) All voltages are with respect to the potential at the GND pin.
- (3)  $V_{IN1}$  and  $V_{IN2}$  should be tied together at all times for proper Power Up
- (4) In Applications where high power dissipation and/or poor package resistance is present, the maximum ambient temperature may have to be derated. Maximum ambient temperature ( $T_{A-MAX}$ ) is dependent on the maximum operating junction temperature ( $T_{J-MAX}$ ), the maximum power dissipation of the device in the application ( $P_{D-MAX}$ ) and the junction to ambient thermal resistance of the package ( $\theta_{JA}$ ) in the application, as given by the following equation:  $T_{A-MAX} = T_{J-MAX} - (\theta_{JA} \times P_{D-MAX})$ .

### Thermal Properties

Junction-to-Ambient Thermal Resistance ( $\theta_{JA}$ ) NHL0014B package <sup>(1)</sup>	37.3°C/W
--	----------

- (1) Junction to ambient thermal resistance is highly dependent on board layout, PCB material environmental conditions and applications. In applications where high power dissipation exists, special care must be given to thermal dissipation issues in board design. The use of thermal vias under the pad may be required. For more on these topics, please refer to the Application Note: AN-1187: Leadless leadframe Package (LLP) [SNOA401](#).

### General Electrical Characteristics<sup>(1)(2)(3)</sup>

Limits in standard typeface are for  $T_J = 25^\circ\text{C}$ . Limits in **boldface** type apply over the full junction temperature range ( $-40^\circ\text{C} \leq T_J \leq +125^\circ\text{C}$ ). Unless otherwise noted, specifications apply to the LP3905 Typical Application Circuit ([Figure 1](#))

Parameter		Test Conditions	Min	Typ	Max	Units
<b>Login Input Thresholds</b>						
$V_{IN}$	Input Voltage Range		3		5.5	V
$I_Q$	Shutdown Supply Current	All Circuits OFF except for POR and UVLO		6.5	10.0	$\mu\text{A}$
	No load Supply Current <sup>(4)</sup>	LDO1 and 2 and Buck1 and 2 on		140	250	
		<b>(PWM only versions)</b> LDO1 and 2 and Buck1 and 2 on		7	10.0	<b>mA</b>
$V_{IH}$	Logic High Input	$V_{IN} = 3.0\text{V to } 5.5\text{V}$	<b>1.2</b>			V
$V_{IL}$	Logic Low Input	$V_{IN} = 3.0\text{V to } 5.5\text{V}$			<b>0.4</b>	V
$I_{EN}$	Enable (EN1,2) Input Current <sup>(5)</sup>	EN1/EN2 = 5.5V and $V_{IN} = 5.5\text{V}$	<b>2.1</b>	5	<b>8.5</b>	$\mu\text{A}$
		EN1/EN2 = 0V and $V_{IN} = 5.5\text{V}$		0.001	0.1	$\mu\text{A}$
$V_{UVLO-R}$	Battery Under Voltage Lock-Out	$V_{IN}$ Rising		2.7	3.1	V
$T_{SHUTDOWN}$	Thermal Shutdown <sup>(4)</sup>	Temperature		160		$^\circ\text{C}$
		Hysteresis		20		

- (1) All voltages are with respect to the potential at the GND pin.
- (2) Min and Max limits are ensured by design, test or statistical analysis. Typical numbers are not ensured, but do represent the most likely norm.
- (3) The parameters in the electrical characteristic table are tested at  $V_{IN} = 3.8\text{V}$  unless otherwise specified. For performance over the input voltage range refer to datasheet curves.
- (4) This specification is ensured by design.
- (5) There is a 1 M $\Omega$  resistor between EN1, EN2 and ground on the device.

### Buck Regulator Electrical Characteristics<sup>(1)(2)(3)</sup>

Buck 1 and 2 have a current rating of  $I_{max} = 600\text{mA}$ . Unless otherwise specified, limits are set with  $V_{IN} = V_{EN1/2} = 3.8\text{V}$ ,  $V_{OUT(Buck1)} = V_{nom1}$ ,  $V_{OUT(Buck2)} = V_{nom2}$  and  $C_{IN} = C_{OUT} = 10\mu\text{F}$ .

Limits in standard typeface are for  $T_J = 25^\circ\text{C}$ . Limits in **boldface** type apply over the full junction temperature range ( $-40^\circ\text{C} \leq T_J \leq +125^\circ\text{C}$ ). Unless otherwise noted, specifications apply to the LP3905 Typical Application Circuit ([Figure 1](#))<sup>(1)(2)(4)</sup>

Parameter		Test Conditions	Min	Typ	Max	Units
$V_{FB}$	Feedback Voltage	See <sup>(5)</sup>	<b>-4</b>		<b>+4</b>	%
$V_{OUT}$	Line Regulation	$3.0\text{V} \leq V_{IN} \leq 5.5\text{V}$ $I_O = 1\text{mA}$		0.045		%/V
	Load Regulation	$100\text{mA} \leq I_O \leq 600\text{mA}$		0.002		%/mA
$R_{DS(on) (P)}$	Pin-Pin Resistance for PFET	$V_{IN} = V_{GS} = 3.6\text{V}$		380	500	$\text{m}\Omega$
$R_{DS(on) (N)}$	Pin-Pin Resistance for NFET	$V_{IN} = V_{GS} = 3.6\text{V}$ <sup>(6)</sup>		250	400	$\text{m}\Omega$
$I_{LIM}$	Switch Peak Current Limit	Open Loop	<b>650</b>	1000	<b>1220</b>	<b>mA</b>
$F_{OSC}$	Internal Oscillator Frequency	PWM Mode		2		MHz
$\eta$	Efficiency	$I_{OUT} = 5\text{mA}$ , PFM mode <sup>(6)</sup>	88			%
		$I_{OUT} = 300\text{mA}$ , PWM mode <sup>(6)</sup>	90			

- (1) All voltages are with respect to the potential at the GND pin.
- (2) Min and Max limits are ensured by design, test or statistical analysis. Typical numbers are not ensured, but do represent the most likely norm.
- (3) The parameters in the electrical characteristic table are tested at  $V_{IN} = 3.8\text{V}$  unless otherwise specified. For performance over the input voltage range refer to datasheet curves.
- (4)  $C_{IN}$ ,  $C_{OUT}$ : Low-ESR Surface-Mount Ceramic Capacitors (MLCCs) used in setting electrical characteristics.
- (5) For the adjustable version, feedback resistor values should be chosen for the divider network to ensure that at the desired output voltage the feedback pin is at 0.5V. See Buck Converter Applications Information.
- (6) This specification is ensured by design.

## LDO Regulator Electrical Characteristics<sup>(1)(2)(3)</sup>

The linear regulators have a current rating of  $I_{max} = 150\text{mA}$  with  $C_{OUT} = 1.0\mu\text{F}$ . A 100mA rating applies with  $C_{OUT} = 0.47\mu\text{F}$ . Unless otherwise specified, limits are set with  $V_{IN} = 3.8\text{V}$ ,  $V_{EN1/2} = 3.8\text{V}$ ,  $C_{IN} = 1\mu\text{F}$ ,  $C_{OUT} = 0.47\mu\text{F}$ ,  $I_{OUT} = 1.0\text{mA}$ . Limits in standard typeface are for  $T_J = 25^\circ\text{C}$ . Limits in **boldface** type apply over the full junction temperature range ( $-40^\circ\text{C} \leq T_J \leq +125^\circ\text{C}$ ). Unless otherwise noted, specifications apply to the LP3905 Typical Application Circuit ([Figure 1](#))<sup>(1)(2)(4)</sup>

Parameter		Test Conditions	Min	Typ	Max	Units	
$\Delta V_{OUT}$	Output Voltage Tolerance	Over Full Line and Load Regulation	<b>-3</b>		<b>3</b>	%	
	Line Regulation Error	$V_{IN} = 3.8\text{V}$ to $5.5\text{V}$ , $I_{OUT} = 1\text{mA}$		0.05		%/V	
	Load Regulation Error	$I_{OUT} = 1\text{mA}$ to $100\text{mA}$		0.003		%/mA	
$I_{LOAD}$	Load Current	See <sup>(5)(6)</sup>	0			mA	
$V_{DO}$	Dropout Voltage <sup>(7)</sup>	$I_{OUT} = 100\text{mA}$		80	<b>150</b>	mV	
$I_{SC}$	Short Circuit Current Limit	See <sup>(8)</sup>		300	<b>500</b>	mA	
$I_{OUT}$	Maximum Output Current	$C_{OUT} = 1.0\mu\text{F}$	<b>150</b>			mA	
PSRR	Power Supply Rejection Ratio <sup>(6)</sup>	$f = 100\text{Hz}$ , $I_{OUT} = 100\text{mA}$		90		dB	
		$f = 1\text{kHz}$ , $I_{OUT} = 100\text{mA}$		90			
		$f = 10\text{kHz}$ , $I_{OUT} = 100\text{mA}$		60			
		$f = 50\text{kHz}$ , $I_{OUT} = 100\text{mA}$		35			
		$f = 100\text{kHz}$ , $I_{OUT} = 100\text{mA}$		25			
$e_n$	Output Noise Voltage <sup>(6)</sup>	$BW = 10\text{Hz}$ to $100\text{kHz}$ , $V_{IN} = 4.2\text{V}$ Buck1 Turned ON with $I_{LOAD} = 0\text{mA}$ , Buck2 Turned OFF	$I_{OUT} = 1\text{mA}$		13.5	$\mu\text{V}_{RMS}$	
			$I_{OUT} = 100\text{mA}$		15.5		
<b>Transient Characteristics<sup>(6)</sup></b>							
$\Delta V_{OUT}$	Line Transient <sup>(6)</sup>	$V_{IN} = (V_{OUT(NOM)} + 1.0\text{V})$ to $(V_{OUT(NOM)} + 1.6\text{V})$ in $10\mu\text{s}$ , $I_{OUT} = 1\text{mA}$	6			mV	
		$V_{IN} = (V_{OUT(NOM)} + 1.6\text{V})$ to $(V_{OUT(NOM)} + 1.0\text{V})$ in $10\mu\text{s}$ , $I_{OUT} = 1\text{mA}$			6		
	Load Transient <sup>(6)</sup>	$I_{OUT} = 1\text{mA}$ to $100\text{mA}$ in $10\mu\text{s}$		-70			mV
		$I_{OUT} = 100\text{mA}$ to $1\text{mA}$ in $10\mu\text{s}$				30	
		$I_{OUT} = 1\text{mA}$ to $150\text{mA}$ in $10\mu\text{s}$ $C_{OUT} = 1.0\mu\text{F}$		-100			
	$I_{OUT} = 150\text{mA}$ to $1\text{mA}$ in $10\mu\text{s}$ $C_{OUT} = 1.0\mu\text{F}$				35		
Overshoot on Startup	See <sup>(6)</sup>				20	mV	

- (1) All voltages are with respect to the potential at the GND pin.
- (2) Min and Max limits are ensured by design, test or statistical analysis. Typical numbers are not ensured, but do represent the most likely norm.
- (3) The parameters in the electrical characteristic table are tested at  $V_{IN} = 3.8\text{V}$  unless otherwise specified. For performance over the input voltage range refer to datasheet curves.
- (4)  $C_{IN}$ ,  $C_{OUT}$ : Low-ESR Surface-Mount Ceramic Capacitors (MLCCs) used in setting electrical characteristics.
- (5) The device maintains a stable, regulated output voltage without a load.
- (6) This specification is ensured by design.
- (7) Dropout voltage is the voltage difference between the input and the output at which the output voltage drops to 100 mV below its nominal value.
- (8) Short Circuit Current is measured with  $V_{OUT}$  pulled to 0v and  $V_{IN}$  worst case = 5.5V.

### Typical Application Circuit

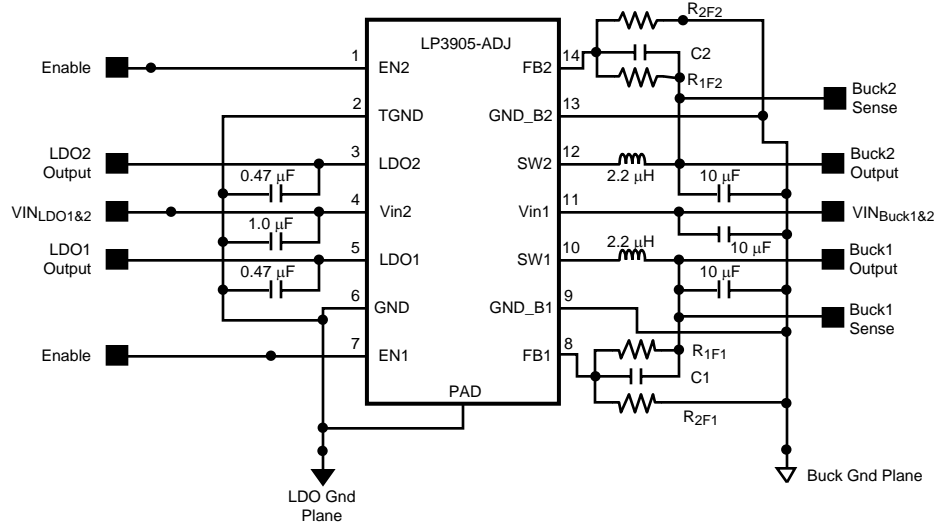


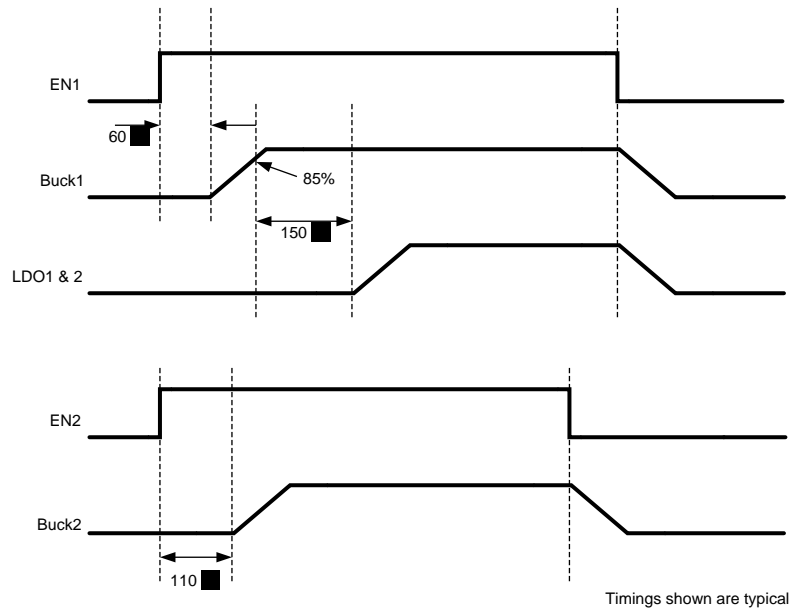
Figure 4. Typical Application Circuit For Adjustable Device

## FUNCTIONAL DESCRIPTION

### POWER UP/DOWN PROCEDURE

The LP3905 Bucks and LDOs are powered UP/DOWN with 2 control pins, EN1 and EN2. In order for the enable pins to operate,  $V_{IN1}$  and  $V_{IN2}$  should be set to a voltage level higher than  $V_{UVLO\_R}$  (specified in electrical characteristic). Once enabled, EN1 will turn on Buck1, LDO1 and LDO2. EN2 can independently be used to enable Buck2. Figure 5 illustrates the power UP/DOWN timing sequence of the LP3905 blocks for  $V_{EN} \geq V_{IH (min)}$  (enable) and  $V_{EN} \leq V_{IL (max)}$  (disable).

Both linear regulators have active pulldowns when the outputs are disabled.



**Figure 5. LP3905 Power Up and Power Down Timing Sequence**

EN1 and EN2 can be controlled fully independently.

LDOs will be turned on only after Buck1 is powered up. LDOs are powered on simultaneously.

In case EN1 and EN2 are enabled at the same time, power up of Buck2 is delayed by 50  $\mu$ s in order to minimize the inrush current from the battery.

When EN1 and EN2 are disabled, the relevant output voltages are turned off.

### DC/DC BUCK REGULATORS

The LP3905 Buck regulators are high efficiency step down DC-DC switching converters used for delivering a constant voltage from either a single Li-Ion or three cell NiMH/NiCd battery to portable devices such as cell phones and PDAs. Using a voltage mode architecture with synchronous rectification, the Buck Regulators have the ability to deliver up to 600 mA depending on the input voltage, output voltage, ambient temperature and the inductor chosen.

There are three modes of operation depending on the current required - PWM, PFM, and shutdown. The standard device operates in PWM mode at load currents of approximately 80 mA or higher, having voltage tolerance of  $\pm 4\%$  with 90% efficiency or better. Lighter load currents cause the device to automatically switch into PFM for reduced current consumption and a longer battery life. Shutdown mode turns off the device, offering the lowest current consumption. A fixed mode device is also available which is fixed in PWM mode for both low and high load currents.

An adjustable voltage version is also available for which the output voltage can be selected by using two external resistors at each of the two buck outputs.

Additional features include soft-start, under voltage protection, current overload protection, and thermal shutdown protection.

The part uses an internal reference voltage of 0.5V. It is recommended to keep the part in shutdown until the input voltage is 3V or higher.

### BUCK CONVERTER BLOCK DIAGRAM

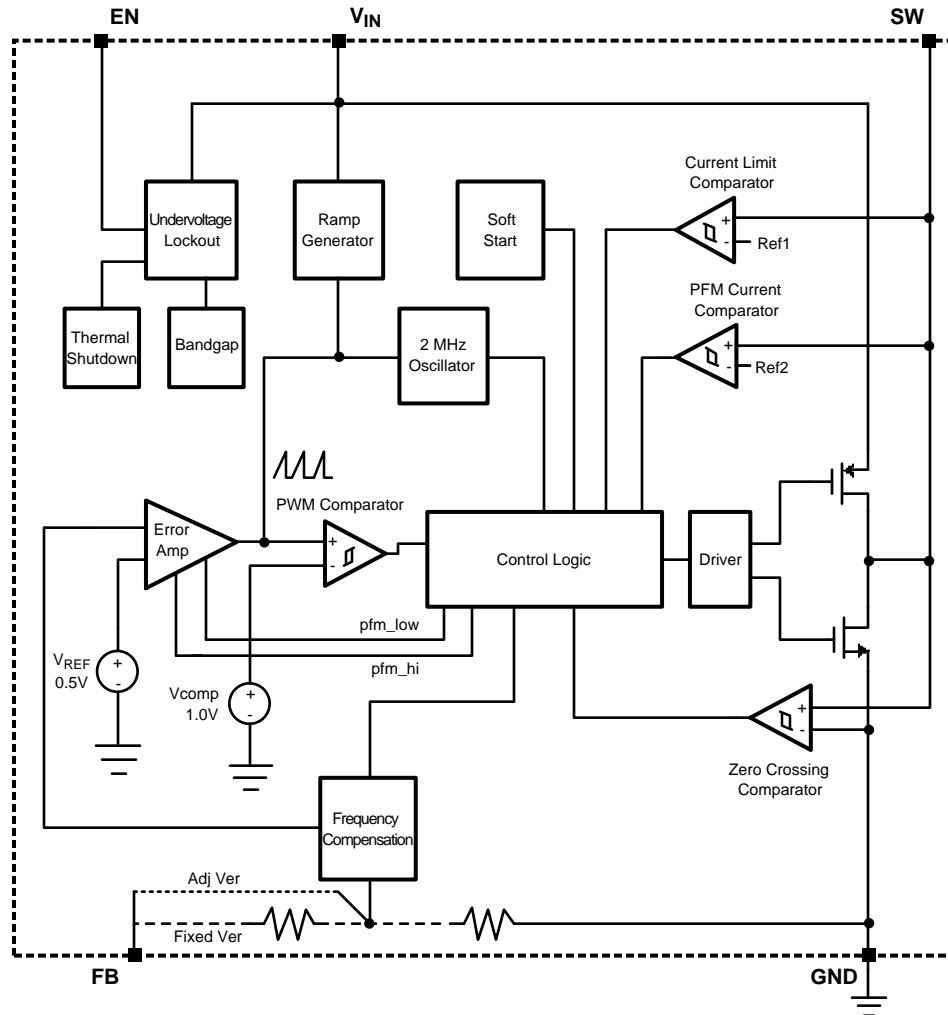


Figure 6. Simplified Functional Diagram

### CIRCUIT OPERATION

The LP3905 Buck regulators operate as follows. During the first portion of each switching cycle, the control block in the LP3905 turns on the internal PFET switch. This allows current to flow from the input through the inductor to the output filter capacitor and load. The inductor limits the current to a ramp with a slope of  $(V_{IN}-V_{OUT})/L$ , by storing energy in a magnetic field.

During the second portion of each cycle, the controller turns the PFET switch off, blocking current flow from the input, and then turns the NFET synchronous rectifier on. The inductor draws current from ground through the NFET to the output filter capacitor and load, which ramps the inductor current down with a slope of  $-V_{OUT}/L$ .

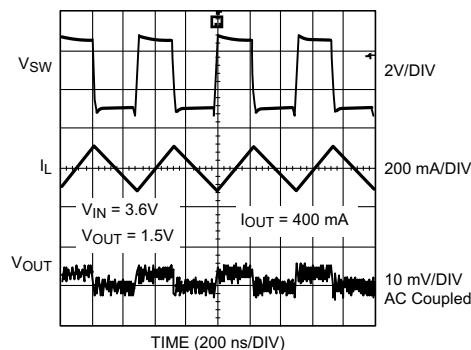
The output filter stores charge when the inductor current is high, and releases it when inductor current is low, smoothing the voltage across the load.

The output voltage is regulated by modulating the PFET switch on time to control the average current sent to the load. The effect is identical to sending a duty-cycle modulated rectangular wave formed by the switch and synchronous rectifier at the SW pin to a low-pass filter formed by the inductor and output filter capacitor. The output voltage is equal to the average voltage at the SW pin.

## PWM OPERATION

During PWM operation the converters operate as a voltage-mode controllers with input voltage feed forward. This allows the converters to achieve good load and line regulation. The DC gain of the power stage is proportional to the input voltage. To eliminate this dependence, feed forward inversely proportional to the input voltage is introduced.

While in PWM (Pulse Width Modulation) mode, the output voltage is regulated by switching at a constant frequency and then modulating the energy per cycle to control power to the load. At the beginning of each clock cycle the PFET switch is turned on and the inductor current ramps up until the comparator trips and the control logic turns off the switch. The current limit comparator can also turn off the switch in case the current limit of the PFET is exceeded. Then the NFET switch is turned on and the inductor current ramps down. The next cycle is initiated by the clock turning off the NFET and turning on the PFET.



**Figure 7. Typical PWM Operation**

### Internal Synchronous Rectification

While in PWM mode, if enabled, the Bucks use an internal NFET as a synchronous rectifier to reduce rectifier forward voltage drop and associated power loss. Synchronous rectification provides a significant improvement in efficiency whenever the output voltage is relatively low compared to the voltage drop across an ordinary rectifier diode.

### Current Limiting

A current limit feature allows the LP3905 Bucks to protect Internal and external components during overload conditions. PWM mode implements current limiting using an internal comparator that trips at 1000 mA (typ). If the output is shorted to ground the device enters a timed current limit mode where the NFET is turned on for a longer duration until the inductor current falls below a low threshold, ensuring inductor current has more time to decay, thereby preventing runaway.

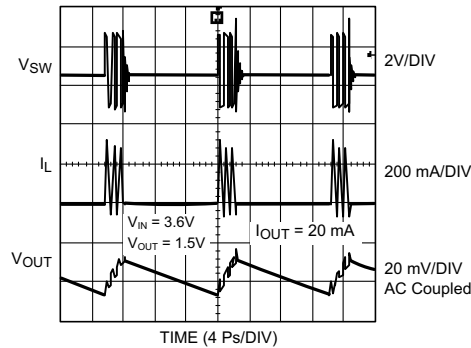
## PFM OPERATION

At very light loads, the converters enters PFM mode and operate with reduced switching frequency and supply current to maintain high efficiency.

The Bucks will automatically transition into PFM mode when either of two conditions occurs for a duration of 32 or more clock cycles:

- A. The inductor current becomes discontinuous.
- B. The peak PMOS switch current drops below the  $I_{MODE}$  level,

$$\text{Typically } I_{MODE} < 30 \text{ mA} + \frac{V_{IN}}{42\Omega} \quad (1)$$



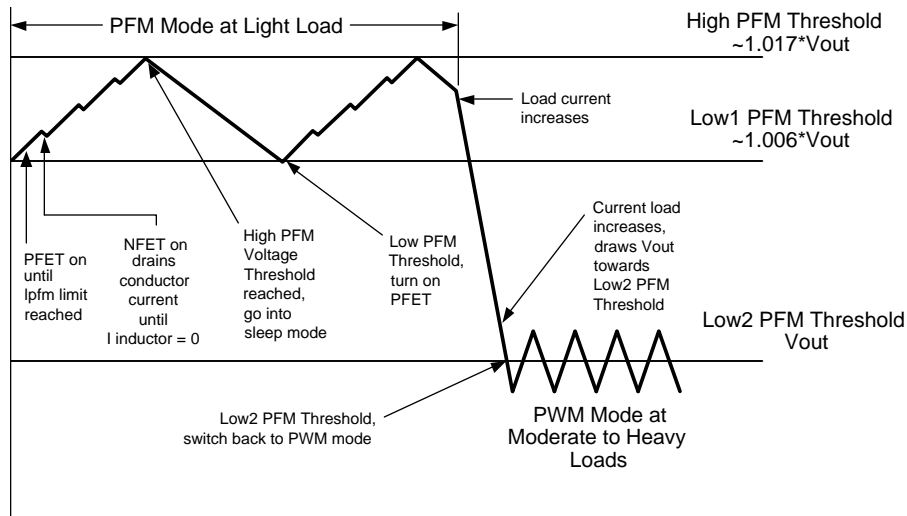
**Figure 8. Typical PFM Operation**

During PFM operation, the converter positions the output voltage slightly higher than the nominal output voltage during PWM operation, allowing additional headroom for voltage drop during a load transient from light to heavy load. The PFM comparators sense the output voltage via the feedback pin and control the switching of the output FETs such that the output voltage ramps between ~0.6% and ~1.7% above the nominal PWM output voltage. If the output voltage is below the 'high' PFM comparator threshold, the PMOS power switch is turned on. It remains on until the output voltage reaches the 'high' PFM threshold or the peak current exceeds the  $I_{PFM}$  level set for PFM mode. The typical peak current in PFM mode is:

$$I_{PFM} = 112 \text{ mA} + \frac{V_{IN}}{27\Omega} \quad (2)$$

Once the PMOS power switch is turned off, the NMOS power switch is turned on until the inductor current ramps to zero. When the NMOS zero-current condition is detected, the NMOS power switch is turned off. If the output voltage is below the 'high' PFM comparator threshold, the PMOS switch is again turned on and the cycle is repeated until the output reaches the desired level. Once the output reaches the 'high' PFM threshold, the NMOS switch is turned on briefly to ramp the inductor current to zero and then both output switches are turned off and the part enters an extremely low power mode. Quiescent supply current during this 'sleep' mode is 16 $\mu$ A (typ), which allows the part to achieve high efficiencies under extremely light load conditions. When the output drops below the 'low' PFM threshold, the cycle repeats to restore the output voltage (average voltage in pfm mode) to ~1.15% above the nominal PWM output voltage.

If the load current should increase during PFM mode causing the output voltage to fall below the 'low2' PFM threshold, the part will automatically transition into fixed-frequency PWM mode. When  $V_{IN}$  =2.8V the part transitions from PWM to PFM mode at ~35mA output current and from PFM to PWM mode at ~85mA, when  $V_{IN}$ =3.6V, PWM to PFM transition happens at ~50mA and PFM to PWM transition happens at ~100mA, when  $V_{IN}$  =4.5V, PWM to PFM transition happens at ~65mA and PFM to PWM transition happens at ~115mA.



**Figure 9. Operation in PFM Mode and Transfer to PWM Mode**

## SOFT START

The LP3905 Buck Converters have a soft-start circuit that limits in-rush current during start-up. Additionally, in case EN1 and EN2 are enabled at the same time, a typical 500 $\mu$ s delay between Buck1 and Buck2 Power Up prevents any further Inrush current from the battery.

During start-up the switch current limit is increased in steps. Soft start is activated only if EN goes from logic low to logic high after  $V_{in}$  reaches 3V. Soft start is implemented by increasing switch current limit in steps of 70mA, 140mA, 280mA and 1000mA (typ. switch current limit). The start-up time thereby depends on the output capacitor and load current demanded at start-up. Typical start-up times with 22 $\mu$ F output capacitor and 300mA load current is 400 $\mu$ s and with 1mA load current its 275 $\mu$ s.

## Application Information

### DC - DC CONVERTERS

#### Adjustable Buck - Output Voltage Selection

The buck converter output voltage of the adjustable version device can be set via the selection of the external feedback resistor network forming the output feedback between the output voltage side of the Inductor and the FB pin and the FB Pin and GND.

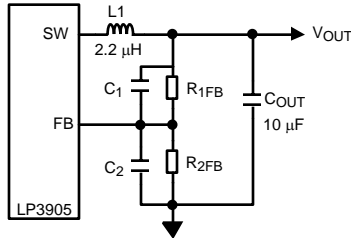


Figure 10. Adjustable Buck Converter Components

$V_{OUT}$  will be adjusted to make the voltage at FB equal to 0.5V. The resistor from FB to ground ( $R_{FB2}$ ) should be around 200kΩ to keep the current drawn through the resistor network well below the 16μA quiescent current level (PFM mode) but large enough that it is not susceptible to noise. If R2 is 200kΩ and with  $V_{FB}$  at 0.5V, the current through the resistor feedback network will be 2.5μA.

The formula for output voltage selection is:

$$V_{OUT} = V_{FB} \times \left( 1 + \frac{R_{1FB}}{R_{2FB}} \right) \quad (3)$$

$V_{OUT}$  - output voltage (Volts)

$V_{FB}$  - feedback voltage (0.5V)

$R_{1FB}$  - feedback resistor from  $V_{OUT}$  to FB

$R_{2FB}$  - feedback resistor from FB to GND

For any out voltage greater than or equal to 1.0V a zero should be added around 45 kHz by the addition of a capacitor C1. The formula for the calculation of C1 is:

$$C_1 = \frac{1}{(2 \times \pi \times R_{1FB} \times 45 \times 10^3)} \quad (4)$$

For recommended component values see [Table 1](#)

Table 1. Buck Component Configurations for Various Output Voltage Values

$V_{OUT}$ (V)	RFB1 (kΩ)	RFB2 (kΩ)	C1 (pF)	C2 (pF)	L (μH)	$C_{OUT}$ (μF)
1.0	200	200	18	none	2.2	10
1.2	280	200	12	none	2.2	10
1.4	360	200	10	none	2.2	10
1.5	360	180	10	none	2.2	10
1.6	442	200	8.2	none	2.2	10
1.85	540	200	6.8	none	2.2	10
2.5	402	100	8.2	none	2.2	10
2.8	464	100	8.2	33	2.2	10
3.3	562	100	6.8	33	2.2	10

### Buck Inductor Selection

There are two main considerations when choosing an inductor; the inductor should not saturate, and the inductor current ripple is small enough to achieve the desired output voltage ripple. Different saturation current rating specs are followed by different manufacturers so attention must be given to details. Saturation current ratings are typically specified at 25°C so ratings at max ambient temperature of application should be requested from manufacturer.

There are two methods to choose the inductor saturation current rating.

#### Method 1:

The saturation current is greater than the sum of the maximum load current and the worst case average to peak inductor current. This can be written as:

$$I_{SAT} > I_{OUTMAX} + I_{RIPPLE}$$

$$\text{where } I_{RIPPLE} = \left( \frac{V_{IN} - V_{OUT}}{2 * L} \right) * \left( \frac{V_{OUT}}{V_{IN}} \right) * \left( \frac{1}{f} \right) \quad (5)$$

- $I_{RIPPLE}$ : average to peak inductor current
- $I_{OUTMAX}$ : maximum load current (600mA)
- $V_{IN}$ : maximum input voltage in application
- $L$ : min inductor value including worst case tolerances (30% drop can be considered for method 1)
- $f$ : minimum switching frequency (1.6Mhz)
- $V_{OUT}$ : output voltage

#### Method 2:

A more conservative and recommended approach is to choose an inductor that has saturation current rating greater than the max current limit of 1220mA.

A 2.2μH inductor with a saturation current rating of at least 1250mA is recommended for most applications. The inductor's resistance should be less than 0.3Ω for good efficiency. For low-cost applications, an unshielded bobbin inductor could be considered. For noise critical applications, a toroidal or shielded-bobbin inductor should be used. A good practice is to lay out the board with overlapping footprints of both types for design flexibility. This allows substitution of a low-noise shielded inductor, in the event that noise from low-cost bobbin models is unacceptable.

### Buck DC/DC Convertor Input Capacitor Selection

A ceramic input capacitor of 10μF, 6.3V is sufficient for most applications. Place the input capacitor as close as possible to the  $V_{IN}$  pin of the device. A larger value may be used for improved input voltage filtering. Use X7R or X5R types, do not use Y5V. DC bias characteristics of ceramic capacitors must be considered when selecting case sizes like 0805 and 0603. The input filter capacitor supplies current to the PFET switch of the LP3905 in the first half of each cycle and reduces voltage ripple imposed on the input power source. A ceramic capacitor's low ESR provides the best noise filtering of the input voltage spikes due to this rapidly changing current. Select a capacitor with sufficient ripple current rating. The input current ripple can be calculated as:

$$I_{RMS} = I_{OUTMAX} * \sqrt{\frac{V_{OUT}}{V_{IN}} * \left( 1 - \frac{V_{OUT}}{V_{IN}} + \frac{r^2}{12} \right)}$$

$$r = \frac{(V_{IN} - V_{OUT}) * V_{OUT}}{L * f * I_{OUTMAX} * V_{IN}}$$

The worst case is when  $V_{IN} = 2 * V_{OUT}$  (6)

## DC/DC CONVERTOR OUTPUT CAPACITOR SELECTION

Use a 10 $\mu$ F, 6.3V ceramic capacitor. Use X7R or X5R types, do not use Y5V. DC bias characteristics of ceramic capacitors must be considered when selecting case sizes like 0805 and 0603. DC bias characteristics vary from manufacturer to manufacturer and dc bias curves should be requested from them as part of the capacitor selection process.

The output filter capacitor smooths out current flow from the inductor to the load, helps maintain a steady output voltage during transient load changes and reduces output voltage ripple. These capacitors must be selected with sufficient capacitance and sufficiently low ESR to perform these functions.

The output voltage ripple is caused by the charging and discharging of the output capacitor and also due to its  $R_{ESR}$  and can be calculated as:

Voltage peak-to-peak ripple due to capacitance can be expressed as follows:

$$V_{PP-C} = \frac{I_{RIPPLE}}{4 * f * C} \quad (7)$$

Voltage peak-to-peak ripple due to ESR can be expressed as follows:

$$V_{PP-ESR} = (2 * I_{RIPPLE}) * R_{ESR}$$

Because these two components are out of phase the rms value can be used to get an approximate value of peak-to-peak ripple.

Voltage peak-to-peak ripple, root mean squared can be expressed as follows:

$$V_{PP-RMS} = \sqrt{V_{PP-C}^2 + V_{PP-ESR}^2} \quad (8)$$

Note that the output voltage ripple is dependent on the inductor current ripple and the equivalent series resistance of the output capacitor ( $R_{ESR}$ ).

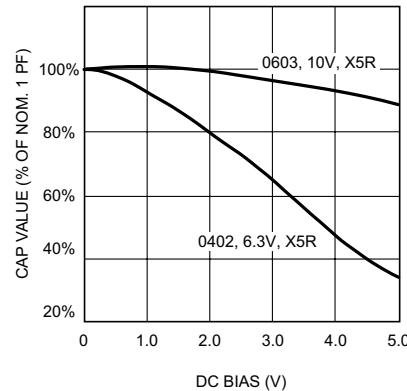
The  $R_{ESR}$  is frequency dependent (as well as temperature dependent); make sure the value used for calculations is at the switching frequency of the part.

## LINEAR REGULATORS

### Capacitor Selection

The LP3955 is designed to work with ceramic capacitors on the output to take advantage of the benefits they offer: for capacitance values in the range of 0.47 $\mu$ F to 10 $\mu$ F range, ceramic capacitors are the smallest, least expensive and have the lowest ESR values (which makes them best for eliminating high frequency noise). The ESR of a typical 1 $\mu$ F ceramic capacitor is in the range of 20m $\Omega$  to 40m $\Omega$ , which easily meets the ESR requirement for stability by the LP3955. For both input and output capacitors careful interpretation of the capacitor specification is required to ensure correct device operation. The capacitor value can change greatly dependant on the conditions of operation and capacitor type.

In particular the output capacitor selection should take account of all the capacitor parameters to ensure that the specification is met within the application. Capacitance value can vary with DC bias conditions as well as temperature and frequency of operation. Capacitor values will also show some decrease over time due to aging. The capacitor parameters are also dependant on the particular case size with smaller sizes giving poorer performance figures in general. As an example [Figure 11](#) shows a typical graph showing a comparison of capacitor case sizes in a Capacitance vs. DC Bias plot. As shown in the graph, as a result of the DC Bias condition the capacitance value may drop below the minimum capacitance value given in the recommended capacitor table (0.7 $\mu$ F in this case). Note that the graph shows the capacitance out of spec for the 0402 case size capacitor at higher bias voltages. It is therefore recommended that the capacitor manufacturers' specifications for the nominal value capacitor are consulted for all conditions as some capacitor sizes (e.g. 0402) may not be suitable in the actual application.



**Figure 11. Capacitor Performance (DC Bias)**

The ceramic capacitor's capacitance can vary with temperature. The capacitor type X7R, which operates over a temperature range of  $-55^{\circ}\text{C}$  to  $+125^{\circ}\text{C}$ , will only vary the capacitance to within  $\pm 15\%$ . The capacitor type X5R has a similar tolerance over a reduced temperature range of  $-55^{\circ}\text{C}$  to  $+85^{\circ}\text{C}$ .

Tantalum capacitors are less desirable than ceramic for use as output capacitors because they are more expensive when comparing equivalent capacitance and voltage ratings in the  $1\mu\text{F}$  to  $4.7\mu\text{F}$  range.

Another important consideration is that tantalum capacitors have higher ESR values than equivalent size ceramics. This means that while it may be possible to find a tantalum capacitor with an ESR value within the stable range, it would have to be larger in capacitance (which means bigger and more costly) than a ceramic capacitor with the same ESR value. It should also be noted that the ESR of a typical tantalum will increase about 2:1 as the temperature goes from  $25^{\circ}\text{C}$  down to  $-40^{\circ}\text{C}$ , so some guard band must be allowed.

### **LDO Input Capacitor**

An input capacitor is required for stability. The input capacitor should be at least equal to or greater than the output capacitor. It is recommended that a  $1\mu\text{F}$  capacitor be connected between  $V_{\text{IN}2}$  input pin and ground (this capacitance value may be increased without limit).

This capacitor must be located a distance of not more than 1cm from the input pin and returned to a clean analogue ground. Any good quality ceramic, tantalum, or film capacitor may be used at the input.

**Important:** Tantalum capacitors can suffer catastrophic failures due to surge current when connected to a low-impedance source of power (like a battery or a very large capacitor). If a tantalum capacitor is used at the input, it must be ensured by the manufacturer to have a surge current rating sufficient for the application. There are no requirements for the ESR (Equivalent Series Resistance) on the input capacitor, but tolerance and temperature coefficient must be considered when selecting the capacitor to ensure the capacitance will remain  $1.0\mu\text{F} \pm 30\%$  over the entire operating voltage and temperature range.

### **LDO Output Capacitor**

The LP3905 LDOs are designed specifically to work with very small ceramic output capacitors. A ceramic capacitor (dielectric types X5R or X7R) in the  $0.47\mu\text{F}$  to  $10\mu\text{F}$  range, and with ESR between  $5\text{m}\Omega$  to  $500\text{m}\Omega$ , is suitable in the application circuit. For this device the output capacitor should be connected between the LDO1 and LDO2 pins and a good ground connection and should be mounted within 1cm of the device.

The output capacitor must meet the requirement for the minimum value of capacitance and also have an ESR value that is within the range  $5\text{m}\Omega$  to  $500\text{m}\Omega$  for stability.

### **No-Load Stability**

The LP3905 LDOs will remain stable and in regulation with no external load.

### **Enable Control**

A 1M $\Omega$  pulldown resistor ties the EN<sub>1/2</sub> input to ground, this ensures that the device will remain off when the enable pin is left open circuit. To ensure proper operation, the signal source used to drive the EN<sub>1/2</sub> input must be able to swing above and below the specified turn-on/off voltage thresholds listed in the Electrical Characteristics section under V<sub>IL</sub> and V<sub>IH</sub>. EN1 can be used to turn ON Buck1 and LDO1/2. In this case Buck1 will be turned on first. Once Buck1 is powered up, after a typical 150 $\mu$ s delay LDO1/2 will be turned on concurrently.

### **LP3905 Board Layout Considerations**

PC board layout is an important part of DC-DC converter design. Poor board layout can disrupt the performance of a DC-DC converter and surrounding circuitry by contributing to EMI, ground bounce, and resistive voltage loss in the traces. These can send erroneous signals to the DC-DC converter IC, resulting in poor regulation or instability.

Good layout for the LP3905 can be implemented by following a few simple design rules.

1. *Place the Buck inductor and filter capacitors close together and make the traces short.* The traces between these components carry relatively high switching currents and act as antennas. Following this rule reduces radiated noise. Special care must be given to place the input filter capacitor very close to the V<sub>IN</sub> and GND pin.
2. *Arrange the components so that the switching current loops curl in the same direction.* During the first half of each cycle, current flows from the input filter capacitor through the LP3905 and inductor to the output filter capacitor and back through ground, forming a current loop. In the second half of each cycle, current is pulled up from ground through the LP3905 by the inductor to the output filter capacitor and then back through ground forming a second current loop. Routing these loops so the current curls in the same direction prevents magnetic field reversal between the two half-cycles and reduces radiated noise.
3. *Connect the ground pins of the Bucks and filter capacitors together using generous component-side copper fill as a pseudo-ground plane. Then, connect this to the ground-plane (if one is used) with several vias.* This reduces ground-plane noise by preventing the switching currents from circulating through the ground plane. It also reduces ground bounce at the LP3905 by giving it a low-impedance ground connection.
4. *Use wide traces between the power components and for power connections to the DC-DC converter circuit.* This reduces voltage errors caused by resistive losses across the traces.
5. *Route noise sensitive traces, such as the voltage feedback path, away from noisy traces between the power components.* The voltage feedback trace must remain close to the Buck circuits and should be direct but should be routed opposite to noisy components. This reduces EMI radiated onto the DC-DC converter's own voltage feedback trace. A good approach is to route the feedback trace on another layer and to have a ground plane between the top layer and layer on which the feedback trace is routed. In the same manner for the adjustable part it is desired to have the feedback dividers on the bottom layer.
6. *Place noise sensitive circuitry, such as radio IF blocks, away from the DC-DC converter, CMOS digital blocks and other noisy circuitry.* Interference with noise-sensitive circuitry in the system can be reduced through distance.

In mobile phones, for example, a common practice is to place the DC-DC converters on one corner of the board, arrange the CMOS digital circuitry around it (since this also generates noise), and then place sensitive preamplifiers and IF stages on the diagonally opposing corner. Often, the sensitive circuitry is shielded with a metal pan and power to it is post-regulated to reduce conducted noise, using low-dropout linear regulators.

### REVISION HISTORY

Changes from Revision C (May 2013) to Revision D	Page
• Changed layout of National Data Sheet to TI format .....	17

**PACKAGING INFORMATION**

Orderable Device	Status (1)	Package Type	Package Drawing	Pins	Package Qty	Eco Plan (2)	Lead/Ball Finish (6)	MSL Peak Temp (3)	Op Temp (°C)	Device Marking (4/5)	Samples
LP3905SD-A3/NOPB	ACTIVE	WSON	NHL	14	1000	Green (RoHS & no Sb/Br)	CU SN	Level-1-260C-UNLIM	-40 to 85	3905-A3	<b>Samples</b>

(1) The marketing status values are defined as follows:

**ACTIVE:** Product device recommended for new designs.

**LIFEBUY:** TI has announced that the device will be discontinued, and a lifetime-buy period is in effect.

**NRND:** Not recommended for new designs. Device is in production to support existing customers, but TI does not recommend using this part in a new design.

**PREVIEW:** Device has been announced but is not in production. Samples may or may not be available.

**OBSELETE:** TI has discontinued the production of the device.

(2) Eco Plan - The planned eco-friendly classification: Pb-Free (RoHS), Pb-Free (RoHS Exempt), or Green (RoHS & no Sb/Br) - please check <http://www.ti.com/productcontent> for the latest availability information and additional product content details.

**TBD:** The Pb-Free/Green conversion plan has not been defined.

**Pb-Free (RoHS):** TI's terms "Lead-Free" or "Pb-Free" mean semiconductor products that are compatible with the current RoHS requirements for all 6 substances, including the requirement that lead not exceed 0.1% by weight in homogeneous materials. Where designed to be soldered at high temperatures, TI Pb-Free products are suitable for use in specified lead-free processes.

**Pb-Free (RoHS Exempt):** This component has a RoHS exemption for either 1) lead-based flip-chip solder bumps used between the die and package, or 2) lead-based die adhesive used between the die and leadframe. The component is otherwise considered Pb-Free (RoHS compatible) as defined above.

**Green (RoHS & no Sb/Br):** TI defines "Green" to mean Pb-Free (RoHS compatible), and free of Bromine (Br) and Antimony (Sb) based flame retardants (Br or Sb do not exceed 0.1% by weight in homogeneous material)

(3) MSL, Peak Temp. - The Moisture Sensitivity Level rating according to the JEDEC industry standard classifications, and peak solder temperature.

(4) There may be additional marking, which relates to the logo, the lot trace code information, or the environmental category on the device.

(5) Multiple Device Markings will be inside parentheses. Only one Device Marking contained in parentheses and separated by a "-" will appear on a device. If a line is indented then it is a continuation of the previous line and the two combined represent the entire Device Marking for that device.

(6) Lead/Ball Finish - Orderable Devices may have multiple material finish options. Finish options are separated by a vertical ruled line. Lead/Ball Finish values may wrap to two lines if the finish value exceeds the maximum column width.

**Important Information and Disclaimer:**The information provided on this page represents TI's knowledge and belief as of the date that it is provided. TI bases its knowledge and belief on information provided by third parties, and makes no representation or warranty as to the accuracy of such information. Efforts are underway to better integrate information from third parties. TI has taken and continues to take reasonable steps to provide representative and accurate information but may not have conducted destructive testing or chemical analysis on incoming materials and chemicals. TI and TI suppliers consider certain information to be proprietary, and thus CAS numbers and other limited information may not be available for release.

In no event shall TI's liability arising out of such information exceed the total purchase price of the TI part(s) at issue in this document sold by TI to Customer on an annual basis.



## TAPE AND REEL INFORMATION



### QUADRANT ASSIGNMENTS FOR PIN 1 ORIENTATION IN TAPE



\*All dimensions are nominal

Device	Package Type	Package Drawing	Pins	SPQ	Reel Diameter (mm)	Reel Width W1 (mm)	A0 (mm)	B0 (mm)	K0 (mm)	P1 (mm)	W (mm)	Pin1 Quadrant
LP3905SD-A3/NOPB	WSON	NHL	14	1000	178.0	12.4	4.3	4.3	1.3	8.0	12.0	Q1

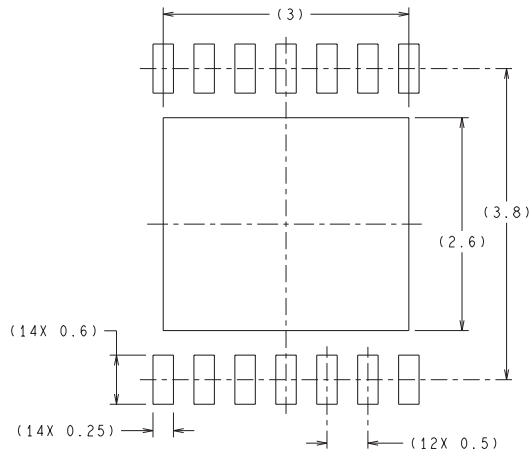
TAPE AND REEL BOX DIMENSIONS



\*All dimensions are nominal

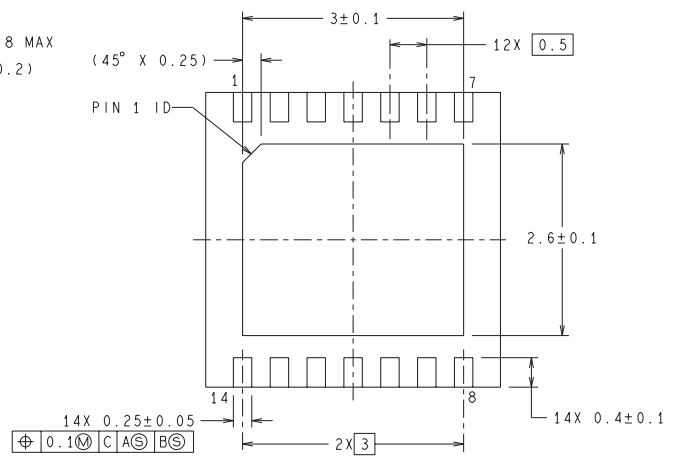
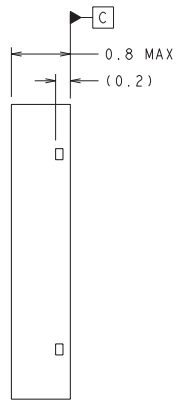
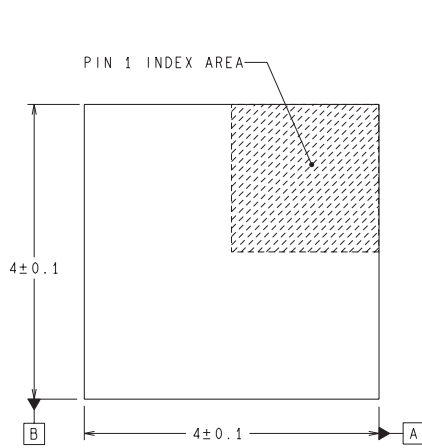
Device	Package Type	Package Drawing	Pins	SPQ	Length (mm)	Width (mm)	Height (mm)
LP3905SD-A3/NOPB	WSON	NHL	14	1000	210.0	185.0	35.0

NHL0014B



RECOMMENDED LAND PATTERN

DIMENSIONS ARE IN MILLIMETERS  
DIMENSIONS IN ( ) FOR REFERENCE ONLY



SDA14B (Rev A)

## IMPORTANT NOTICE

Texas Instruments Incorporated and its subsidiaries (TI) reserve the right to make corrections, enhancements, improvements and other changes to its semiconductor products and services per JESD46, latest issue, and to discontinue any product or service per JESD48, latest issue. Buyers should obtain the latest relevant information before placing orders and should verify that such information is current and complete. All semiconductor products (also referred to herein as "components") are sold subject to TI's terms and conditions of sale supplied at the time of order acknowledgment.

TI warrants performance of its components to the specifications applicable at the time of sale, in accordance with the warranty in TI's terms and conditions of sale of semiconductor products. Testing and other quality control techniques are used to the extent TI deems necessary to support this warranty. Except where mandated by applicable law, testing of all parameters of each component is not necessarily performed.

TI assumes no liability for applications assistance or the design of Buyers' products. Buyers are responsible for their products and applications using TI components. To minimize the risks associated with Buyers' products and applications, Buyers should provide adequate design and operating safeguards.

TI does not warrant or represent that any license, either express or implied, is granted under any patent right, copyright, mask work right, or other intellectual property right relating to any combination, machine, or process in which TI components or services are used. Information published by TI regarding third-party products or services does not constitute a license to use such products or services or a warranty or endorsement thereof. Use of such information may require a license from a third party under the patents or other intellectual property of the third party, or a license from TI under the patents or other intellectual property of TI.

Reproduction of significant portions of TI information in TI data books or data sheets is permissible only if reproduction is without alteration and is accompanied by all associated warranties, conditions, limitations, and notices. TI is not responsible or liable for such altered documentation. Information of third parties may be subject to additional restrictions.

Resale of TI components or services with statements different from or beyond the parameters stated by TI for that component or service voids all express and any implied warranties for the associated TI component or service and is an unfair and deceptive business practice. TI is not responsible or liable for any such statements.

Buyer acknowledges and agrees that it is solely responsible for compliance with all legal, regulatory and safety-related requirements concerning its products, and any use of TI components in its applications, notwithstanding any applications-related information or support that may be provided by TI. Buyer represents and agrees that it has all the necessary expertise to create and implement safeguards which anticipate dangerous consequences of failures, monitor failures and their consequences, lessen the likelihood of failures that might cause harm and take appropriate remedial actions. Buyer will fully indemnify TI and its representatives against any damages arising out of the use of any TI components in safety-critical applications.

In some cases, TI components may be promoted specifically to facilitate safety-related applications. With such components, TI's goal is to help enable customers to design and create their own end-product solutions that meet applicable functional safety standards and requirements. Nonetheless, such components are subject to these terms.

No TI components are authorized for use in FDA Class III (or similar life-critical medical equipment) unless authorized officers of the parties have executed a special agreement specifically governing such use.

Only those TI components which TI has specifically designated as military grade or "enhanced plastic" are designed and intended for use in military/aerospace applications or environments. Buyer acknowledges and agrees that any military or aerospace use of TI components which have **not** been so designated is solely at the Buyer's risk, and that Buyer is solely responsible for compliance with all legal and regulatory requirements in connection with such use.

TI has specifically designated certain components as meeting ISO/TS16949 requirements, mainly for automotive use. In any case of use of non-designated products, TI will not be responsible for any failure to meet ISO/TS16949.

### Products

Audio	<a href="http://www.ti.com/audio">www.ti.com/audio</a>
Amplifiers	<a href="http://amplifier.ti.com">amplifier.ti.com</a>
Data Converters	<a href="http://dataconverter.ti.com">dataconverter.ti.com</a>
DLP® Products	<a href="http://www.dlp.com">www.dlp.com</a>
DSP	<a href="http://dsp.ti.com">dsp.ti.com</a>
Clocks and Timers	<a href="http://www.ti.com/clocks">www.ti.com/clocks</a>
Interface	<a href="http://interface.ti.com">interface.ti.com</a>
Logic	<a href="http://logic.ti.com">logic.ti.com</a>
Power Mgmt	<a href="http://power.ti.com">power.ti.com</a>
Microcontrollers	<a href="http://microcontroller.ti.com">microcontroller.ti.com</a>
RFID	<a href="http://www.ti-rfid.com">www.ti-rfid.com</a>
OMAP Applications Processors	<a href="http://www.ti.com/omap">www.ti.com/omap</a>
Wireless Connectivity	<a href="http://www.ti.com/wirelessconnectivity">www.ti.com/wirelessconnectivity</a>

### Applications

Automotive and Transportation	<a href="http://www.ti.com/automotive">www.ti.com/automotive</a>
Communications and Telecom	<a href="http://www.ti.com/communications">www.ti.com/communications</a>
Computers and Peripherals	<a href="http://www.ti.com/computers">www.ti.com/computers</a>
Consumer Electronics	<a href="http://www.ti.com/consumer-apps">www.ti.com/consumer-apps</a>
Energy and Lighting	<a href="http://www.ti.com/energy">www.ti.com/energy</a>
Industrial	<a href="http://www.ti.com/industrial">www.ti.com/industrial</a>
Medical	<a href="http://www.ti.com/medical">www.ti.com/medical</a>
Security	<a href="http://www.ti.com/security">www.ti.com/security</a>
Space, Avionics and Defense	<a href="http://www.ti.com/space-avionics-defense">www.ti.com/space-avionics-defense</a>
Video and Imaging	<a href="http://www.ti.com/video">www.ti.com/video</a>

### TI E2E Community

[e2e.ti.com](http://e2e.ti.com)

## Looking for pricing, stock, or lifecycle information?

Click below to explore more details on WIN SOURCE:

 [View LP3905SD-30/NOPB on WIN SOURCE](#)

 [Texas Instruments](#) Information

## Optimize Your Supply Chain with WIN SOURCE Solutions

-  Global Sourcing Solution
-  Obsolete Management
-  Cost Control Management
-  Shortage Management
-  Alternative Solution
-  Excess Inventory Management