



THE DATASHEET OF CDRH4D28-330NC



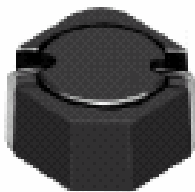
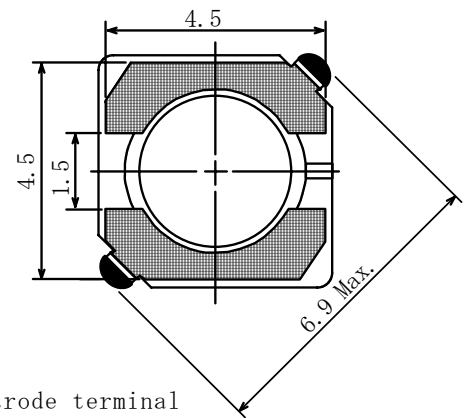
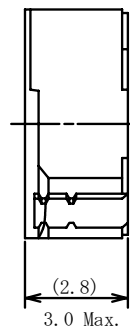
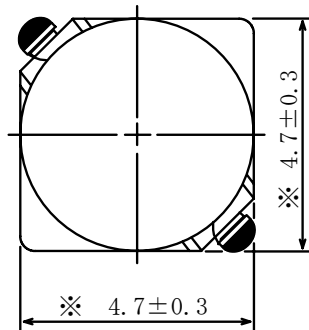
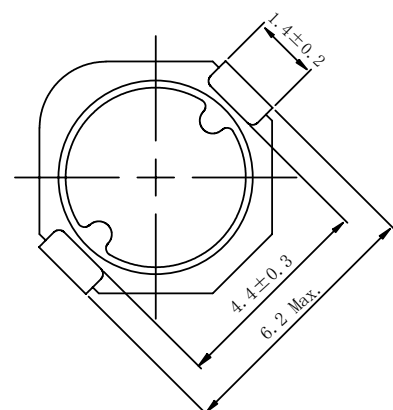
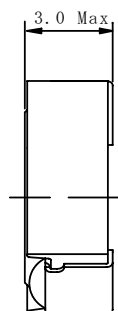
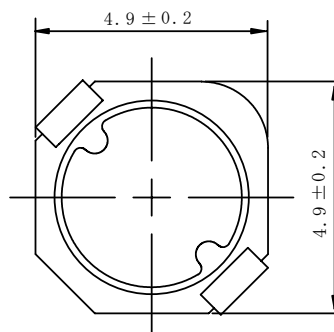
Type: CDRH4D28 , CDRH4D28C , CDRH4D28C/LD
◆ Product Description

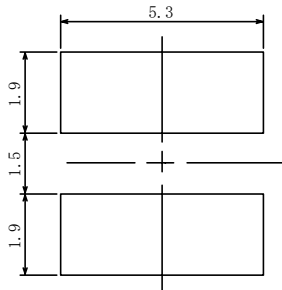
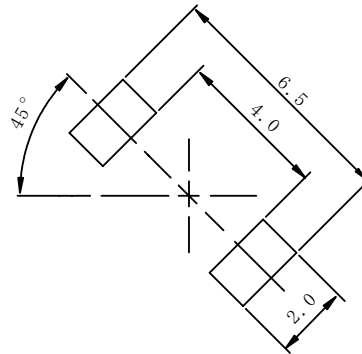
- 5.0×5.0mm Max.(L×W), 3.0mm Max. Height.(CDRH4D28)
- 5.1×5.1mm Max.(L×W), 3.0mm Max. Height.(CDRH4D28C,CDRH4D28C/LD)
- Standard type CDRH4D28, CDRH4D28C and Low DCR type CDRH4D28C/LD are available.
- Inductance range:1.2~180 μ H(CDRH4D28); 1.1~100 μ H(CDRH4D28C);1.0~100 μ H(CDRH4D28C /LD);
- Rated current range:0.22~2.56A(CDRH4D28); 0.4~3.8A(CDRH4D28C); 0.3~3.0A (CDRH4D28C /LD);
- In addition to the standards versions shown here, custom inductors are also available to meet your exact requirements.

◆ Feature

- Magnetically shielded construction.
- Ideally used in Mobile phone,PDA,MP3,HDD,DSC/DVC,Note book PC,etc as DC-DC Converter inductors.
- RoHS Compliance.

◆ Dimensions (mm)

CDRH4D28

**CDRH4D28C,
CDRH4D28C/LD**


Type: CDRH4D28 , CDRH4D28C , CDRH4D28C/LD
◆ Land Pattern (mm)

CDRH4D28

CDRH4D28C, CDRH4D28C/LD
◆ Specification(CDRH4D28)

Part No. ※	Stamp	Inductance (μ H) 100kHz/1V	D.C.R.(Ω) Max.(Typ.) (20°C)	Rated Current (A)※1-1
CDRH4D28NP-1R2N□	1R2	1.2±30%	23.6m(17.5m)	2.56
CDRH4D28NP-1R8N□	1R8	1.8±30%	27.5m(20.4m)	2.20
CDRH4D28NP-2R2N□	2R2	2.2±30%	31.3m(23.2m)	2.04
CDRH4D28NP-2R7N□	2R7	2.7±30%	43.3m(32.1m)	1.60
CDRH4D28NP-3R3N□	3R3	3.3±30%	49.2m(36.4m)	1.57
CDRH4D28NP-3R9N□	3R9	3.9±30%	64.8m(48.0m)	1.44
CDRH4D28NP-4R7N□	4R7	4.7±30%	72.0m(53.3m)	1.32
CDRH4D28NP-5R6N□	5R6	5.6±30%	100.9m(74.7m)	1.17
CDRH4D28NP-6R8N□	6R8	6.8±30%	108.9m(80.7m)	1.12
CDRH4D28NP-8R2N□	8R2	8.2±30%	117.5m(87.0m)	1.04
CDRH4D28NP-100N□	100	10±30%	128.3m(95.0m)	1.00
CDRH4D28NP-120N□	120	12±30%	131.6m(97.5m)	0.84
CDRH4D28NP-150N□	150	15±30%	149.0m(110.4m)	0.76
CDRH4D28NP-180N□	180	18±30%	166.0m(123.0m)	0.72
CDRH4D28NP-220N□	220	22±30%	235.0m(174.5m)	0.70
CDRH4D28NP-270N□	270	27±30%	261.0m(193.3m)	0.58
CDRH4D28NP-330N□	330	33±30%	331.3m(254.8m)	0.56
CDRH4D28NP-390N□	390	39±30%	383.7m(284.2m)	0.50
CDRH4D28NP-470N□	470	47±30%	587.0m(435.0m)	0.48
CDRH4D28NP-560N□	560	56±30%	624.5m(462.6m)	0.41
CDRH4D28NP-680N□	680	68±30%	699.0m(517.8m)	0.35
CDRH4D28NP-820N□	820	82±30%	914.8m(677.6m)	0.32
CDRH4D28NP-101N□	101	100±30%	1.02(765.8m)	0.29
CDRH4D28NP-121N□	121	120±30%	1.27(976.8m)	0.27
CDRH4D28NP-151N□	151	150±30%	1.35(1.08)	0.24
CDRH4D28NP-181N□	181	180±30%	1.54(1.23)	0.22

※1-1. Rated current: The DC current at which the inductance decreases to 65% of its nominal value or when $\Delta t=40^{\circ}\text{C}$, whichever is lower($T_a=20^{\circ}\text{C}$).

Type: CDRH4D28 , CDRH4D28C , CDRH4D28C/LD
◆ Specification(CDRH4D28C)

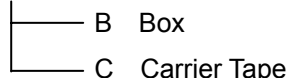
Part No. ※	Stamp	Inductance (μ H) 100kHz/1V	D.C.R.(Ω) Max.(Typ.) (20°C)	Rated Current (A)※1-1
CDRH4D28CNP-1R1P□	A	1.1±25%	22m(17.5m)	3.8
CDRH4D28CNP-2R0P□	B	2.0±25%	29m(23.0m)	2.6
CDRH4D28CNP-3R2P□	C	3.2±25%	42m(33.3m)	2.3
CDRH4D28CNP-4R7P□	D	4.7±25%	63m(50.0m)	1.8
CDRH4D28CNP-6R3P□	E	6.3±25%	94m(75.0m)	1.3
CDRH4D28CNP-100P□	F	10±25%	106m(85.0m)	1.26
CDRH4D28CNP-150P□	G	15±25%	137m(110m)	1.05
CDRH4D28CNP-220P□	H	22±25%	207m(166m)	850m
CDRH4D28CNP-330P□	I	33±25%	331m(265m)	700m
CDRH4D28CNP-470P□	J	47±25%	510m(408m)	540m
CDRH4D28CNP-680P□	K	68±25%	625m(500m)	490m
CDRH4D28CNP-101P□	L	100±25%	948m(758m)	400m

◆ Specification(CDRH4D28C/LD)

Part No. ※	Stamp	Inductance (μ H) 100kHz/1V	D.C.R.(m Ω) Max.(Typ.) (20°C)	Saturation Current(A) ※1-2	Temperature rise current (A) ※2
CDRH4D28CLDNP-1R0P□	A	1.0±25%	17.5(14)	3.0	4.9
CDRH4D28CLDNP-2R2P□	B	2.2±25%	23.8(19)	2.0	3.6
CDRH4D28CLDNP-3R3P□	C	3.3±25%	28.9(23)	1.6	3.2
CDRH4D28CLDNP-4R7P□	D	4.7±25%	36.3(29)	1.5	2.9
CDRH4D28CLDNP-6R8P□	E	6.8±25%	48.8(39)	1.2	2.4
CDRH4D28CLDNP-100P□	F	10±25%	67.5(54)	0.90	1.8
CDRH4D28CLDNP-150P□	G	15±25%	93.4(75)	0.81	1.6
CDRH4D28CLDNP-220P□	H	22±25%	140(112)	0.65	1.25
CDRH4D28CLDNP-330P□	I	33±25%	223(179)	0.55	0.92
CDRH4D28CLDNP-470P□	J	47±25%	272(218)	0.43	0.86
CDRH4D28CLDNP-680P□	K	68±25%	366(293)	0.36	0.72
CDRH4D28CLDNP-101P□	L	100±25%	520(416)	0.30	0.61

※ Description of part name

CDRH4D28CLDNP-1R0P□



※1-2.Saturation Current: The DC current at which the inductance decreases to 65% of its nominal value.

 ※2 Temperature rise current: The DC current at which the temperature rise is $\Delta t=40^{\circ}\text{C}$.($T_a=20^{\circ}\text{C}$)

Looking for pricing, stock, or lifecycle information?

Click below to explore more details on WIN SOURCE:

- ⊖ [View CDRH4D28-330NC on WIN SOURCE](#)
- ⊖ [Sumida America Components Inc. Information](#)

Optimize Your Supply Chain with WIN SOURCE Solutions

- ✓ Global Sourcing Solution
- ✓ Obsolete Management
- ✓ Cost Control Management
- ✓ Shortage Management
- ✓ Alternative Solution
- ✓ Excess Inventory Management