



# THE DATASHEET OF STH3N150-2



N-channel 1500 V, 2.5 A, 6  $\Omega$  typ., PowerMESH™ Power MOSFETs  
in TO-3PF, H<sup>2</sup>PAK-2, TO-220 and TO247 packages

Datasheet - production data

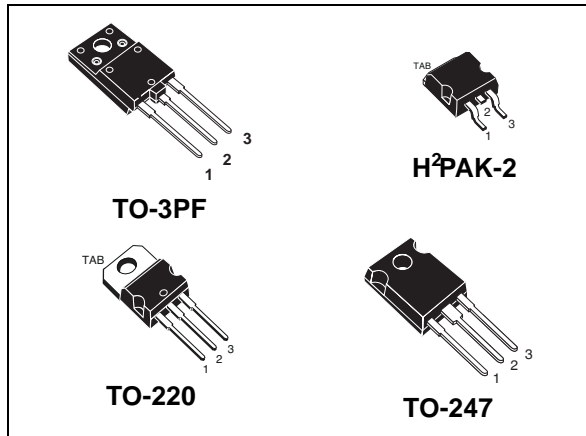
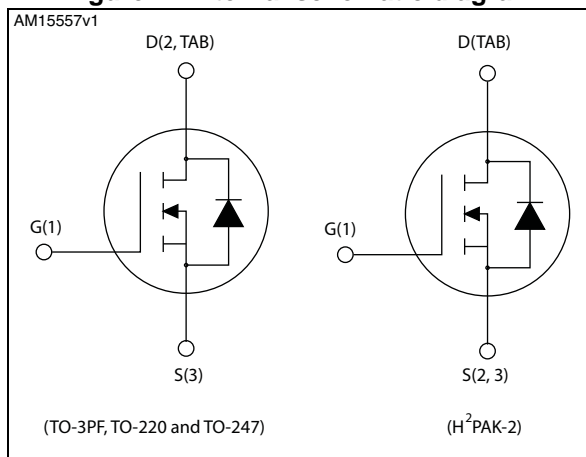


Figure 1. Internal schematic diagram



## Features

Order codes	V <sub>DS</sub>	R <sub>DS(on)</sub> max.	I <sub>D</sub>	P <sub>TOT</sub>
STFW3N150	1500 V	9 $\Omega$	2.5 A	63 W
STH3N150-2				140 W
STP3N150				
STW3N150				

- 100% avalanche tested
- Intrinsic capacitances and Q<sub>g</sub> minimized
- High speed switching
- Fully isolated TO-3PF plastic package, creepage distance path is 5.4 mm (typ.)

## Applications

- Switching applications

## Description

These Power MOSFETs are designed using the company's consolidated strip layout-based MESH OVERLAY™ process. The result is a product that matches or improves on the performance of comparable standard parts from other manufacturers.

Table 1. Device summary

Order codes	Marking	Packages	Packaging
STFW3N150	3N150	TO-3PF	Tube
STH3N150-2		H <sup>2</sup> PAK-2	Tape and reel
STP3N150		TO-220	Tube
STW3N150		TO-247	

## Contents

<b>1</b>	<b>Electrical ratings</b> .....	<b>3</b>
<b>2</b>	<b>Electrical characteristics</b> .....	<b>4</b>
2.1	Electrical characteristics (curves) .....	6
<b>3</b>	<b>Test circuits</b> .....	<b>9</b>
<b>4</b>	<b>Package mechanical data</b> .....	<b>10</b>
<b>5</b>	<b>Packaging mechanical data</b> .....	<b>20</b>
<b>6</b>	<b>Revision history</b> .....	<b>22</b>

# 1 Electrical ratings

**Table 2. Absolute maximum ratings**

Symbol	Parameter	Value		Unit
		TO-3PF	H <sup>2</sup> PAK-2, TO-220, TO-247	
V <sub>DS</sub>	Drain-source voltage	1500		V
V <sub>GS</sub>	Gate-source voltage	± 30		V
I <sub>D</sub>	Drain current (continuous) at T <sub>C</sub> = 25 °C	2.5 <sup>(1)</sup>	2.5	A
I <sub>D</sub>	Drain current (continuous) at T <sub>C</sub> = 100 °C	1.6 <sup>(1)</sup>	1.6	A
I <sub>DM</sub> <sup>(1)</sup>	Drain current (pulsed)	10 <sup>(1)</sup>	10	A
P <sub>TOT</sub>	Total dissipation at T <sub>C</sub> = 25 °C	63	140	W
V <sub>ISO</sub>	Insulation withstand voltage (RMS) from all three leads to external heat sink (t=1 s; T <sub>C</sub> =25 °C)	3500		V
	Derating factor	0.5	1.12	W/°C
T <sub>stg</sub>	Storage temperature	-50 to 150		°C
T <sub>j</sub>	Max. operating junction temperature	150		°C

1. Pulse width limited by safe operating area

**Table 3. Thermal data**

Symbol	Parameter	TO-3PF	H <sup>2</sup> PAK-2	TO-220	TO-247	Unit
R <sub>thj-case</sub>	Thermal resistance junction-case max	2	0.89			°C/W
R <sub>thj-amb</sub>	Thermal resistance junction-ambient max	50		62.5	50	°C/W
R <sub>thj-pcb</sub>	Thermal resistance junction-pcb max		35 <sup>(1)</sup>			°C/W

1. When mounted on 1 inch<sup>2</sup> FR-4 board, 2 oz Cu

**Table 4. Avalanche characteristics**

Symbol	Parameter	Max value	Unit
I <sub>AR</sub>	Avalanche current, repetitive or not-repetitive (pulse width limited by T <sub>j</sub> max)	2.5	A
E <sub>AS</sub>	Single pulse avalanche energy (starting T <sub>j</sub> = 25 °C, I <sub>D</sub> = I <sub>AR</sub> , V <sub>DD</sub> = 50 V)	450	mJ

## 2 Electrical characteristics

( $T_{\text{case}} = 25\text{ °C}$  unless otherwise specified)

**Table 5. On /off states**

Symbol	Parameter	Test conditions	Min.	Typ.	Max.	Unit
$V_{(BR)DSS}$	Drain-source breakdown voltage	$I_D = 1\text{ mA}$ , $V_{GS} = 0$	1500			V
$I_{DSS}$	Zero gate voltage drain current ( $V_{GS} = 0$ )	$V_{DS} = 1500\text{ V}$			10	$\mu\text{A}$
		$V_{DS} = 1500\text{ V}$ , $T_C = 125\text{ °C}$			500	$\mu\text{A}$
$I_{GSS}$	Gate-body leakage current ( $V_{DS} = 0$ )	$V_{GS} = \pm 30\text{ V}$			$\pm 100$	nA
$V_{GS(th)}$	Gate threshold voltage	$V_{DS} = V_{GS}$ , $I_D = 250\text{ }\mu\text{A}$	3	4	5	V
$R_{DS(on)}$	Static drain-source on-resistance	$V_{GS} = 10\text{ V}$ , $I_D = 1.3\text{ A}$		6	9	$\Omega$

**Table 6. Dynamic**

Symbol	Parameter	Test conditions	Min.	Typ.	Max.	Unit
$g_{fs}^{(1)}$	Forward transconductance	$V_{DS} = 30\text{ V}$ , $I_D = 1.3\text{ A}$	-	2.6	-	S
$C_{iss}$	Input capacitance	$V_{DS} = 25\text{ V}$ , $f = 1\text{ MHz}$ , $V_{GS} = 0$	-	939	-	pF
			-		-	pF
			-		-	pF
$C_{oss}$	Output capacitance	$V_{DS} = 25\text{ V}$ , $f = 1\text{ MHz}$ , $V_{GS} = 0$	-	102	-	pF
$C_{rss}$	Reverse transfer capacitance		-	13.2	-	pF
$C_{oss\text{ eq.}}^{(2)}$	Equivalent output capacitance	$V_{DS} = 0$ to $1200\text{ V}$ , $V_{GS} = 0$	-	100	-	pF
$R_g$	Gate input resistance	$f = 1\text{ MHz}$ , gate DC Bias = 0, test signal level = 20 mV, $I_D = 0$	-	4	-	$\Omega$
$Q_g$	Total gate charge	$V_{DD} = 1200\text{ V}$ , $I_D = 2.5\text{ A}$ ,	-	29.3	-	nC
$Q_{gs}$	Gate-source charge	$V_{GS} = 10\text{ V}$	-	4.6	-	nC
$Q_{gd}$	Gate-drain charge	(Figure 19)	-	17	-	nC

1. Pulsed: pulse duration = 300  $\mu\text{s}$ , duty cycle 1.5%

2.  $C_{oss\text{ eq.}}$  is defined as a constant equivalent capacitance giving the same charging time as  $C_{oss}$  when  $V_{DS}$  increases from 0 to 80%  $V_{DSS}$

Table 7. Switching times

Symbol	Parameter	Test conditions	Min.	Typ.	Max.	Unit
$t_{d(on)}$	Turn-on delay time	$V_{DD} = 750\text{ V}$ , $I_D = 1.25\text{ A}$ , $R_G = 4.7\ \Omega$ , $V_{GS} = 10\text{ V}$ (Figure 18)	-	24	-	ns
$t_r$	Rise time		-	47	-	ns
$t_{d(off)}$	Turn-off-delay time		-	45	-	ns
$t_f$	Fall time		-	61	-	ns

Table 8. Source drain diode

Symbol	Parameter	Test conditions	Min.	Typ.	Max.	Unit
$I_{SD}$	Source-drain current		-		2.5	A
$I_{SDM}^{(1)}$	Source-drain current (pulsed)		-		10	A
$V_{SD}^{(2)}$	Forward on voltage	$I_{SD} = 2.5\text{ A}$ , $V_{GS} = 0$	-		1.6	V
$t_{rr}$	Reverse recovery time	$I_{SD} = 2.5\text{ A}$ , $di/dt = 100\text{ A}/\mu\text{s}$ $V_{DD} = 60\text{ V}$ (Figure 20)	-	410		ns
$Q_{rr}$	Reverse recovery charge		-	2.4		$\mu\text{C}$
$I_{RRM}$	Reverse recovery current		-	11.7		A
$t_{rr}$	Reverse recovery time	$I_{SD} = 2.5\text{ A}$ , $di/dt = 100\text{ A}/\mu\text{s}$ $V_{DD} = 60\text{ V}$ , $T_j = 150\text{ }^\circ\text{C}$ (Figure 20)	-	540		ns
$Q_{rr}$	Reverse recovery charge		-	3.3		$\mu\text{C}$
$I_{RRM}$	Reverse recovery current		-	12.3		A

1. Pulse width limited by safe operating area
2. Pulsed: pulse duration = 300  $\mu\text{s}$ , duty cycle 1.5%

## 2.1 Electrical characteristics (curves)

Figure 2. Safe operating area for TO-3PF

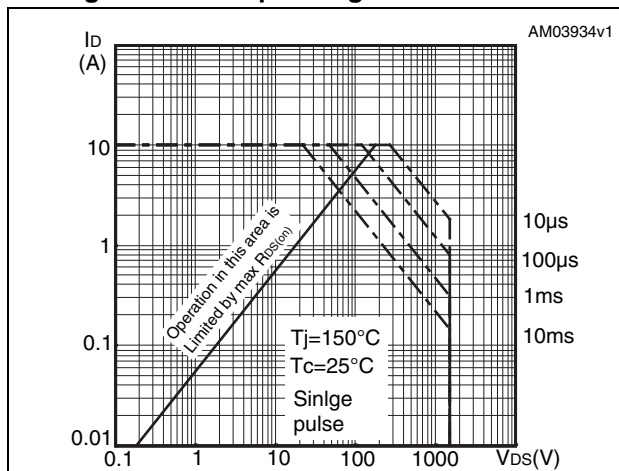


Figure 3. Thermal impedance for TO-3PF

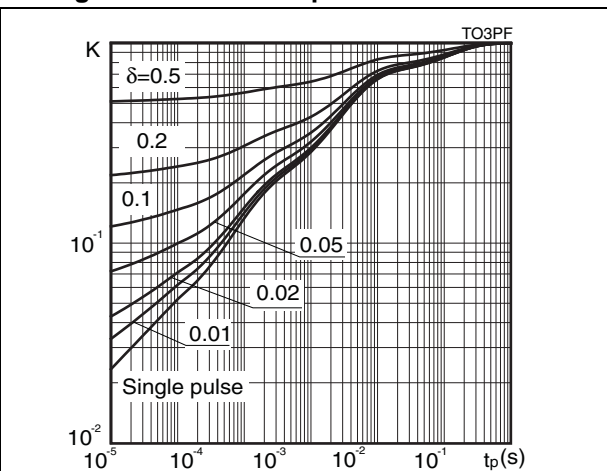


Figure 4. Safe operating area for H<sup>2</sup>PAK-2 and TO-220

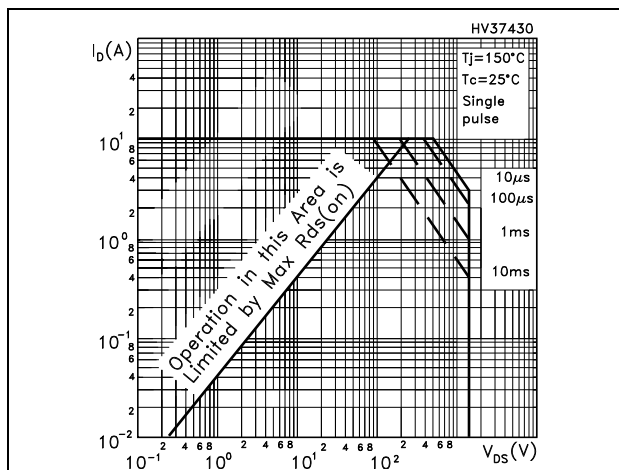


Figure 5. Thermal impedance for H<sup>2</sup>PAK-2 and TO-220

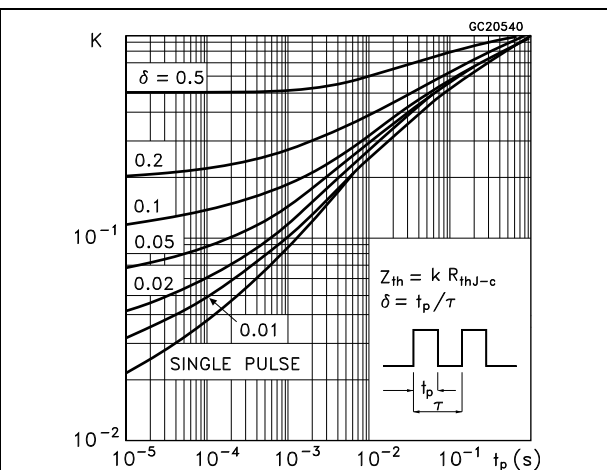


Figure 6. Safe operating area for TO-247

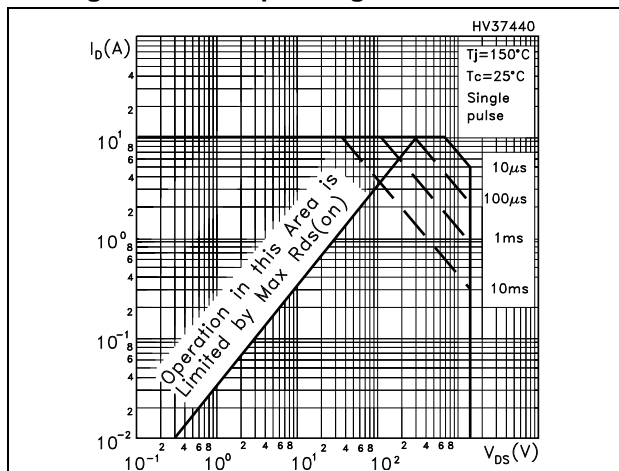


Figure 7. Thermal impedance for TO-247

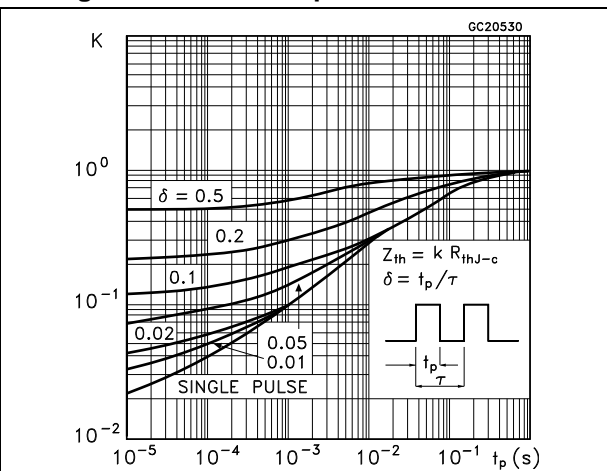


Figure 8. Output characteristics

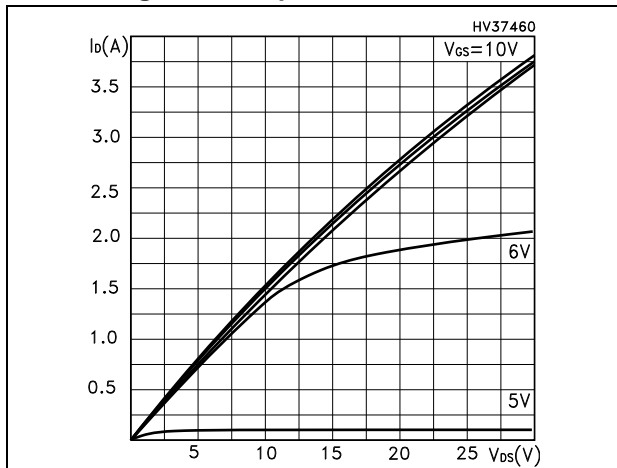


Figure 9. Transfer characteristics

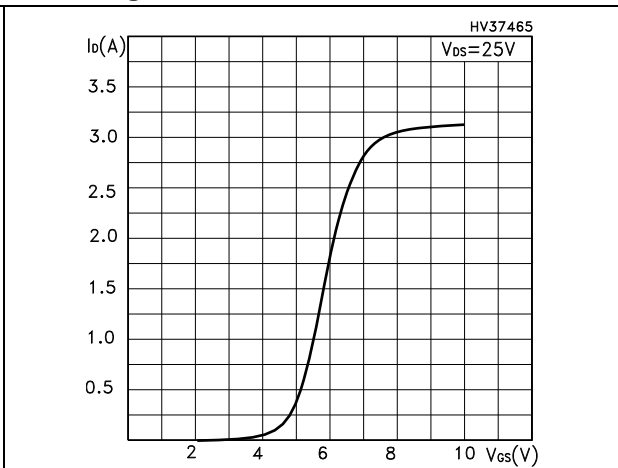


Figure 10. Normalized  $BV_{DSS}$  vs. temperature

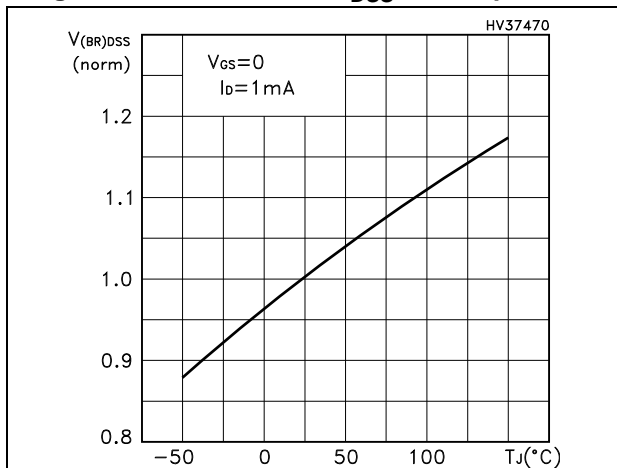


Figure 11. Static drain-source on-resistance

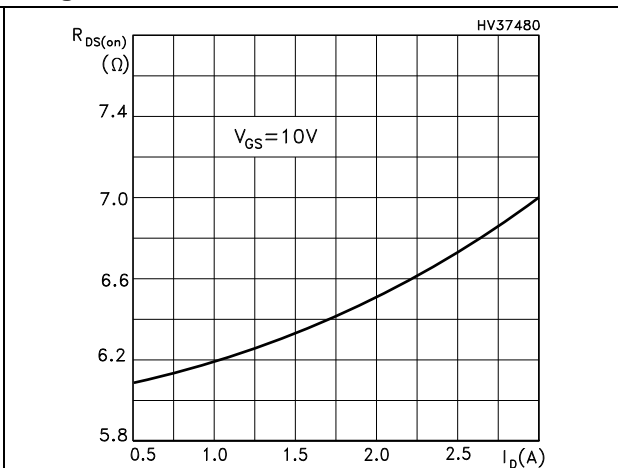


Figure 12. Gate charge vs. gate-source voltage

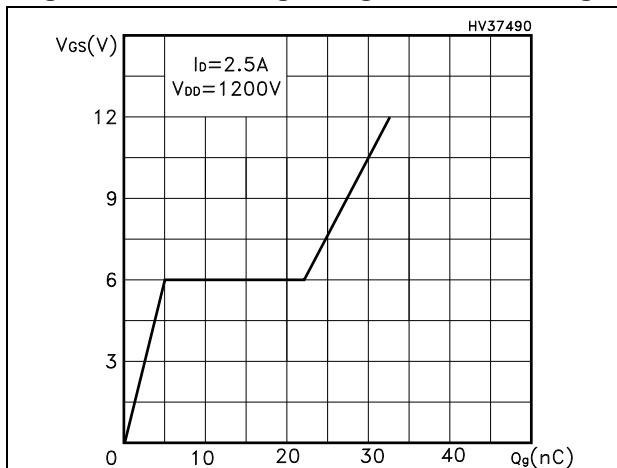


Figure 13. Capacitance variations

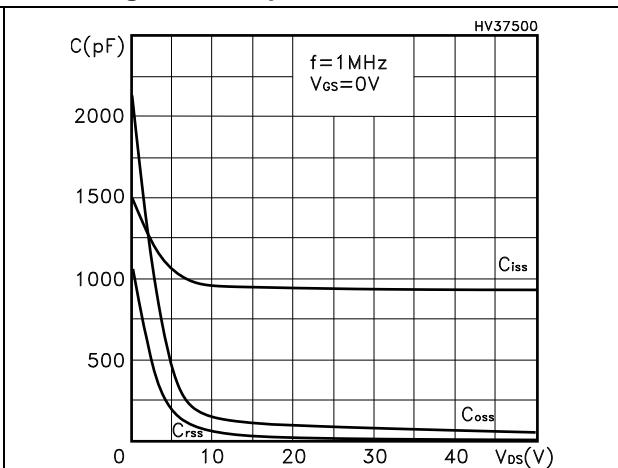


Figure 14. Normalized gate threshold voltage vs. temperature

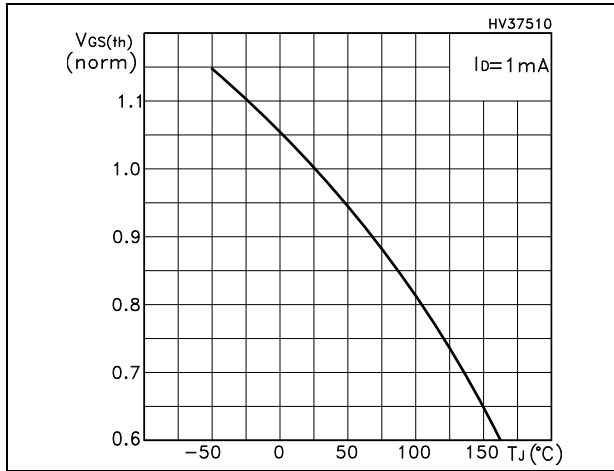


Figure 15. Normalized on resistance vs. temperature

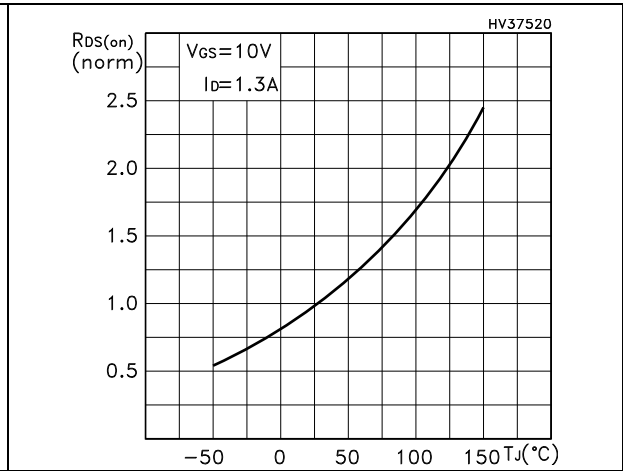


Figure 16. Source-drain diode forward characteristics

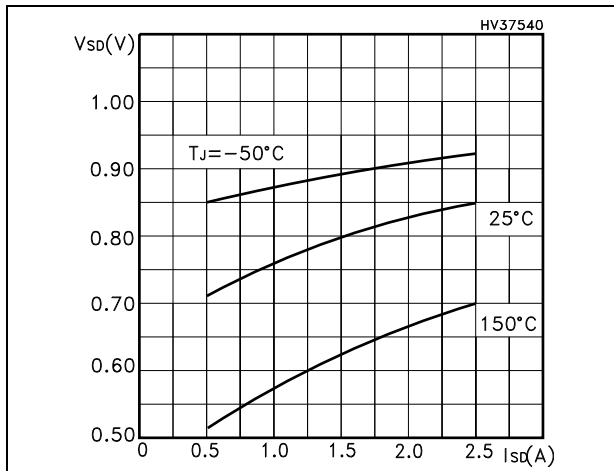
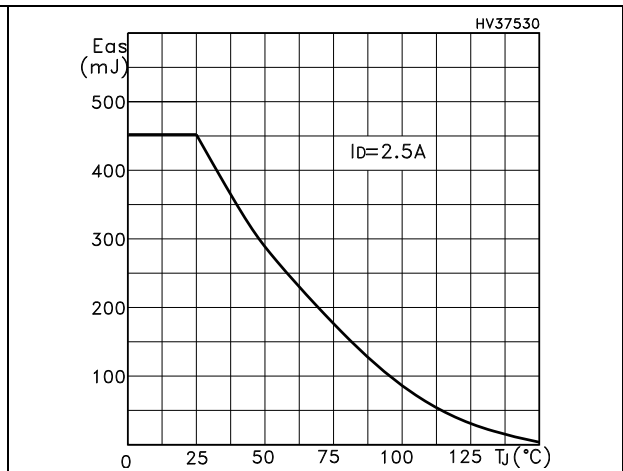


Figure 17. Maximum avalanche energy vs TJ



### 3 Test circuits

Figure 18. Switching times test circuit for resistive load

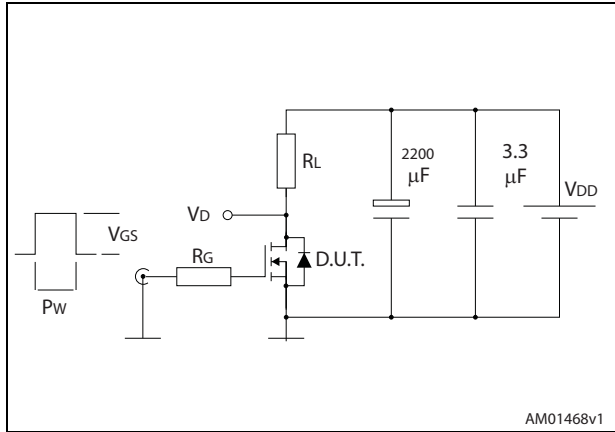


Figure 19. Gate charge test circuit

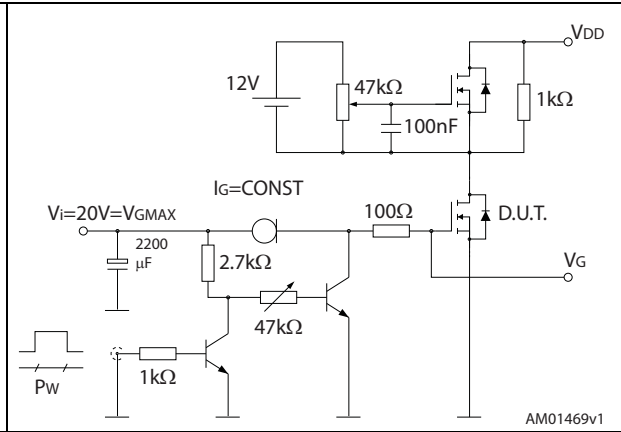


Figure 20. Test circuit for inductive load switching and diode recovery times

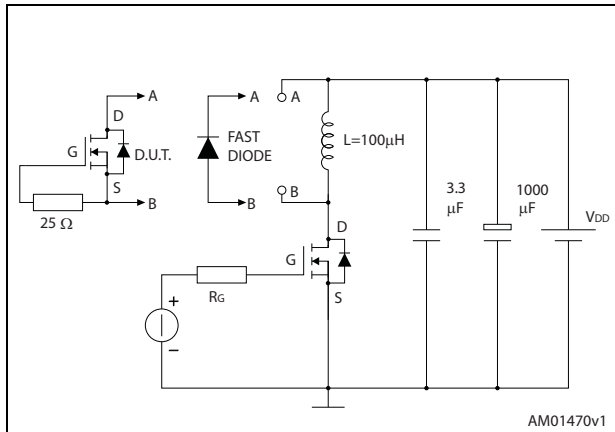


Figure 21. Unclamped inductive load test circuit

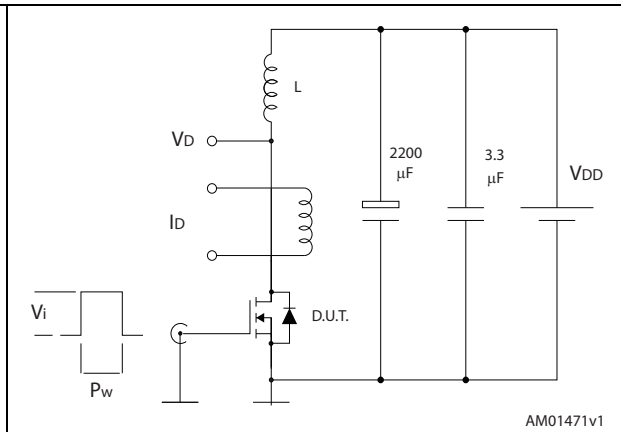


Figure 22. Unclamped inductive waveform

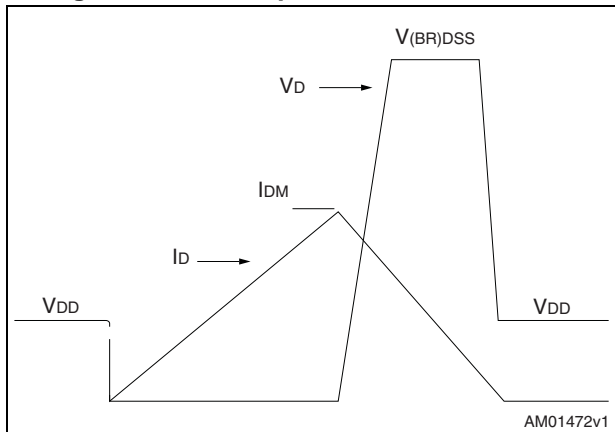
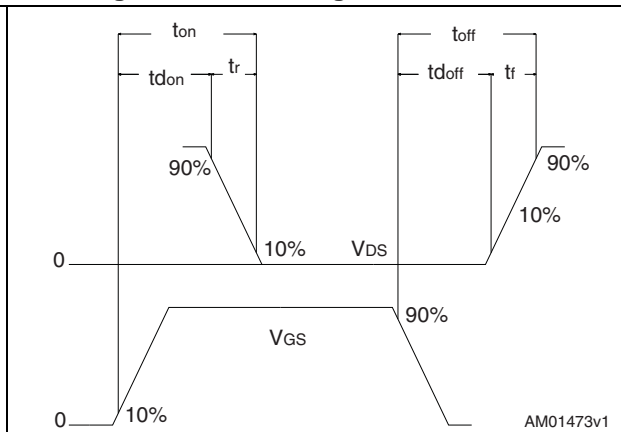


Figure 23. Switching time waveform



## 4 Package mechanical data

In order to meet environmental requirements, ST offers these devices in different grades of ECOPACK<sup>®</sup> packages, depending on their level of environmental compliance. ECOPACK<sup>®</sup> specifications, grade definitions and product status are available at: [www.st.com](http://www.st.com). ECOPACK<sup>®</sup> is an ST trademark.

Figure 24. TO-3PF drawing

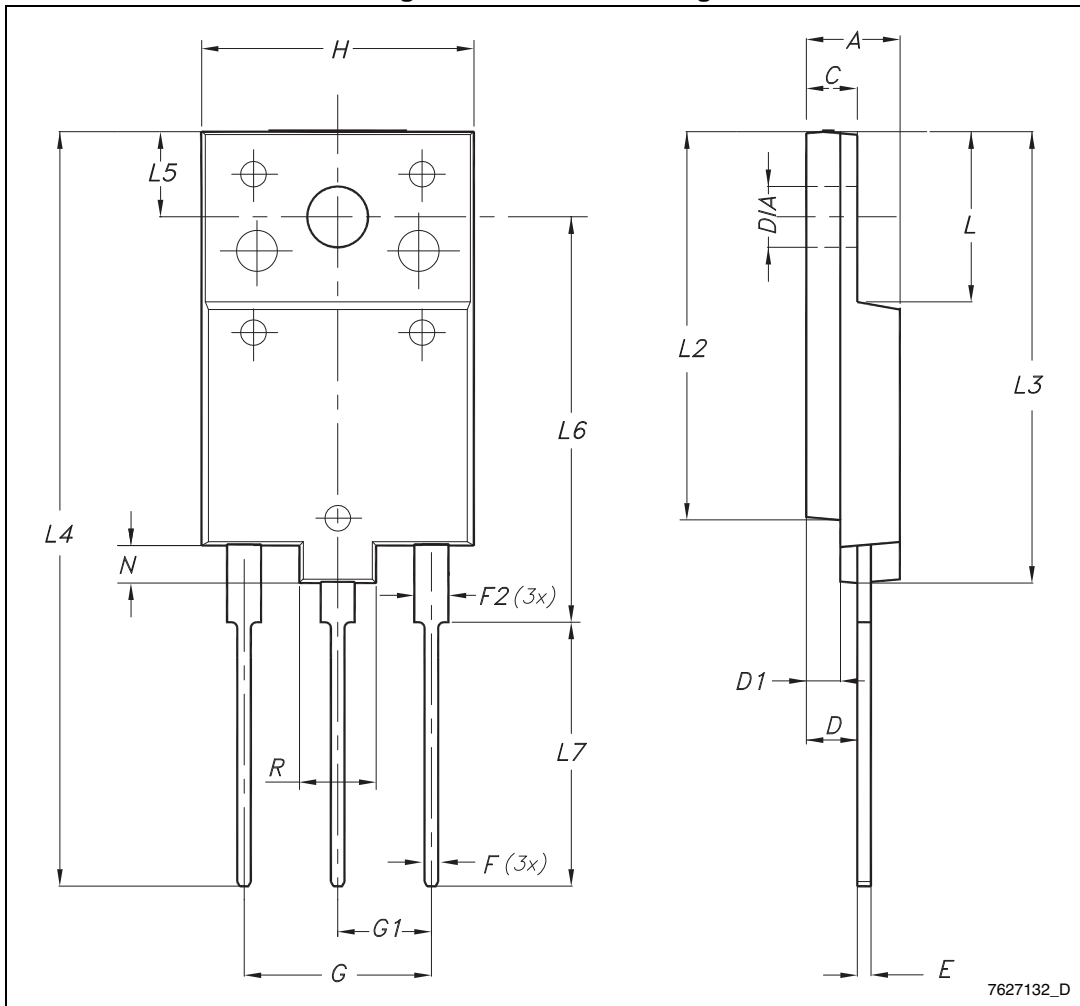


Table 9. TO-3PF mechanical data

Dim.	mm		
	Min.	Typ.	Max.
A	5.30		5.70
C	2.80		3.20
D	3.10		3.50
D1	1.80		2.20
E	0.80		1.10
F	0.65		0.95
F2	1.80		2.20
G	10.30		11.50
G1		5.45	
H	15.30		15.70
L	9.80	10	10.20
L2	22.80		23.20
L3	26.30		26.70
L4	43.20		44.40
L5	4.30		4.70
L6	24.30		24.70
L7	14.60		15
N	1.80		2.20
R	3.80		4.20
Dia	3.40		3.80

Figure 25. H<sup>2</sup>PAK-2 drawing

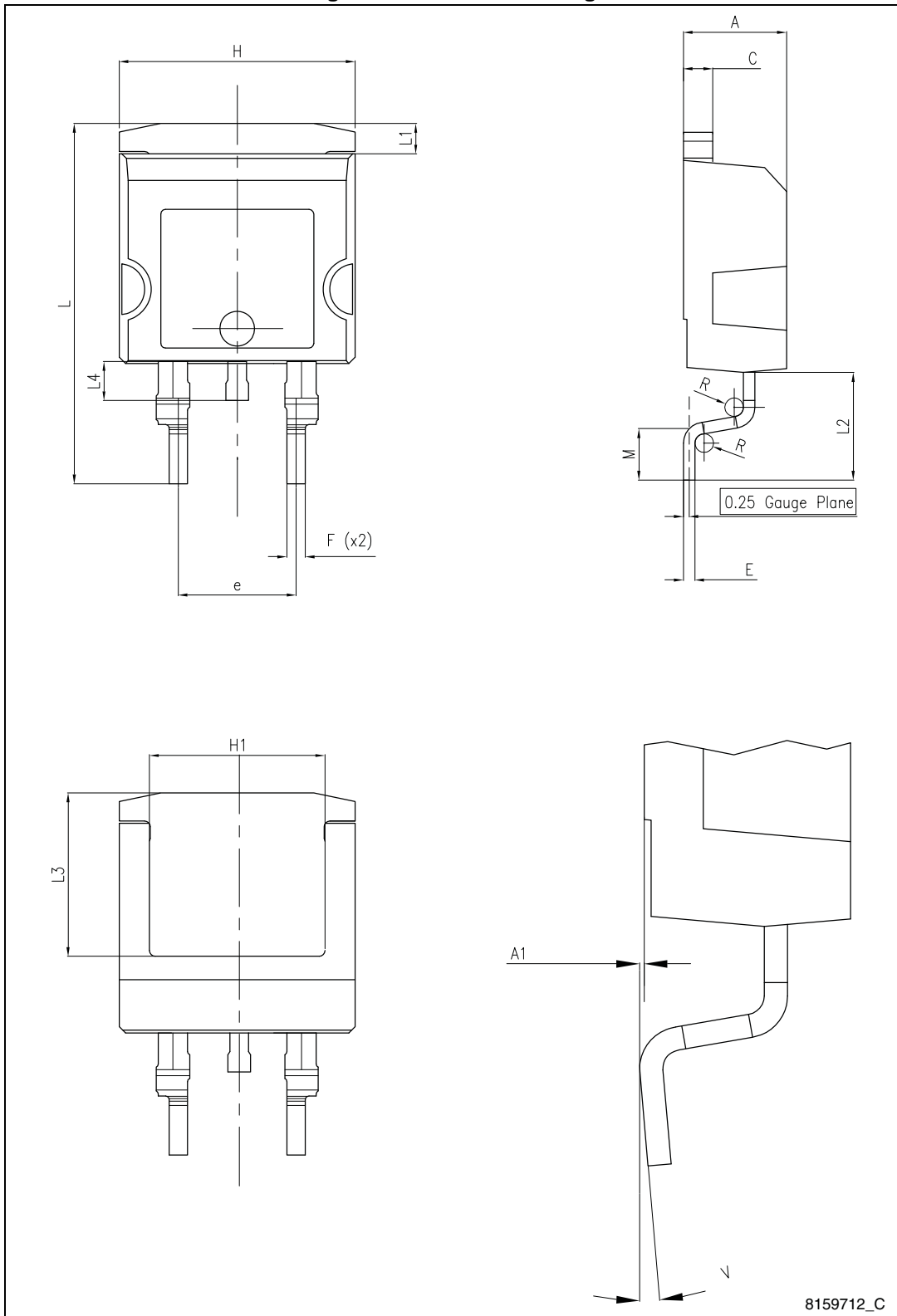


Table 10. H<sup>2</sup>PAK-2 mechanical data

Dim.	mm		
	Min.	Typ.	Max.
A	4.30		4.80
A1	0.03		0.20
C	1.17		1.37
e	4.98		5.18
E	0.50		0.90
F	0.78		0.85
H	10.00		10.40
H1	7.40		7.80
L	15.30		15.80
L1	1.27		1.40
L2	4.93		5.23
L3	6.85		7.25
L4	1.5		1.7
M	2.6		2.9
R	0.20		0.60
V	0°		8°

Figure 26. H<sup>2</sup>PAK-2 recommended footprint (dimensions are in mm)

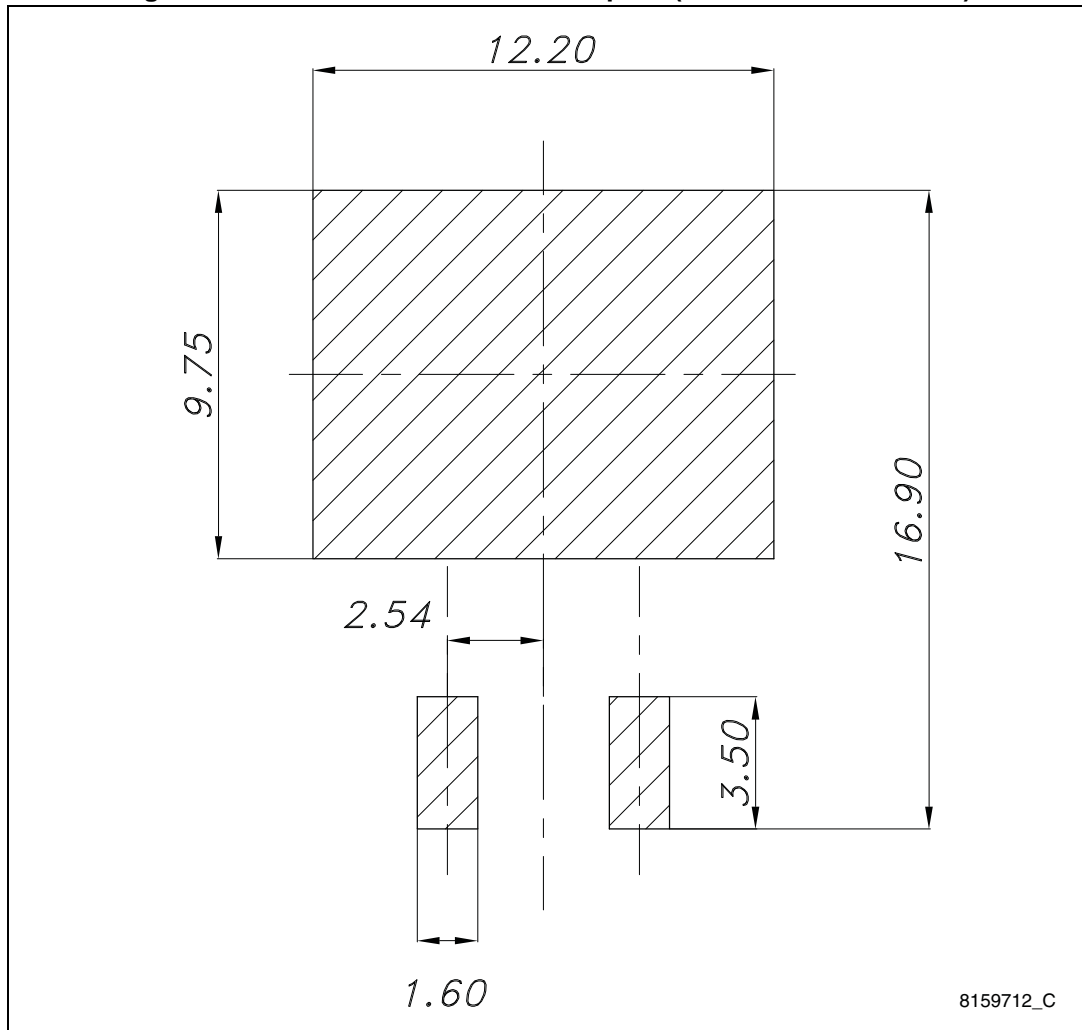
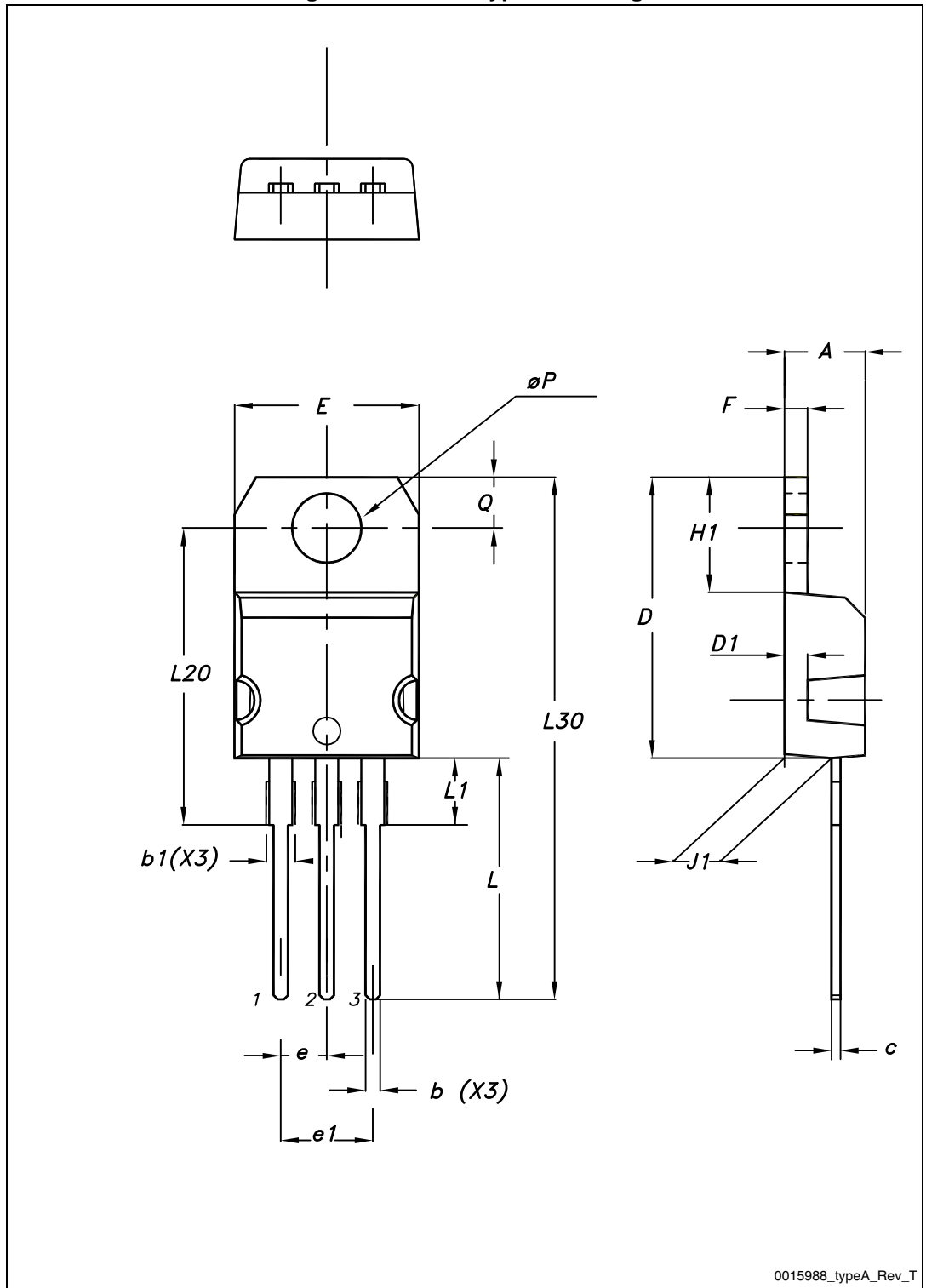


Figure 27. TO-220 type A drawing



0015988\_typeA\_Rev\_T

Table 11. TO-220 type A mechanical data

Dim.	mm		
	Min.	Typ.	Max.
A	4.40		4.60
b	0.61		0.88
b1	1.14		1.70
c	0.48		0.70
D	15.25		15.75
D1		1.27	
E	10		10.40
e	2.40		2.70
e1	4.95		5.15
F	1.23		1.32
H1	6.20		6.60
J1	2.40		2.72
L	13		14
L1	3.50		3.93
L20		16.40	
L30		28.90	
ØP	3.75		3.85
Q	2.65		2.95

Figure 28. TO-247 drawing

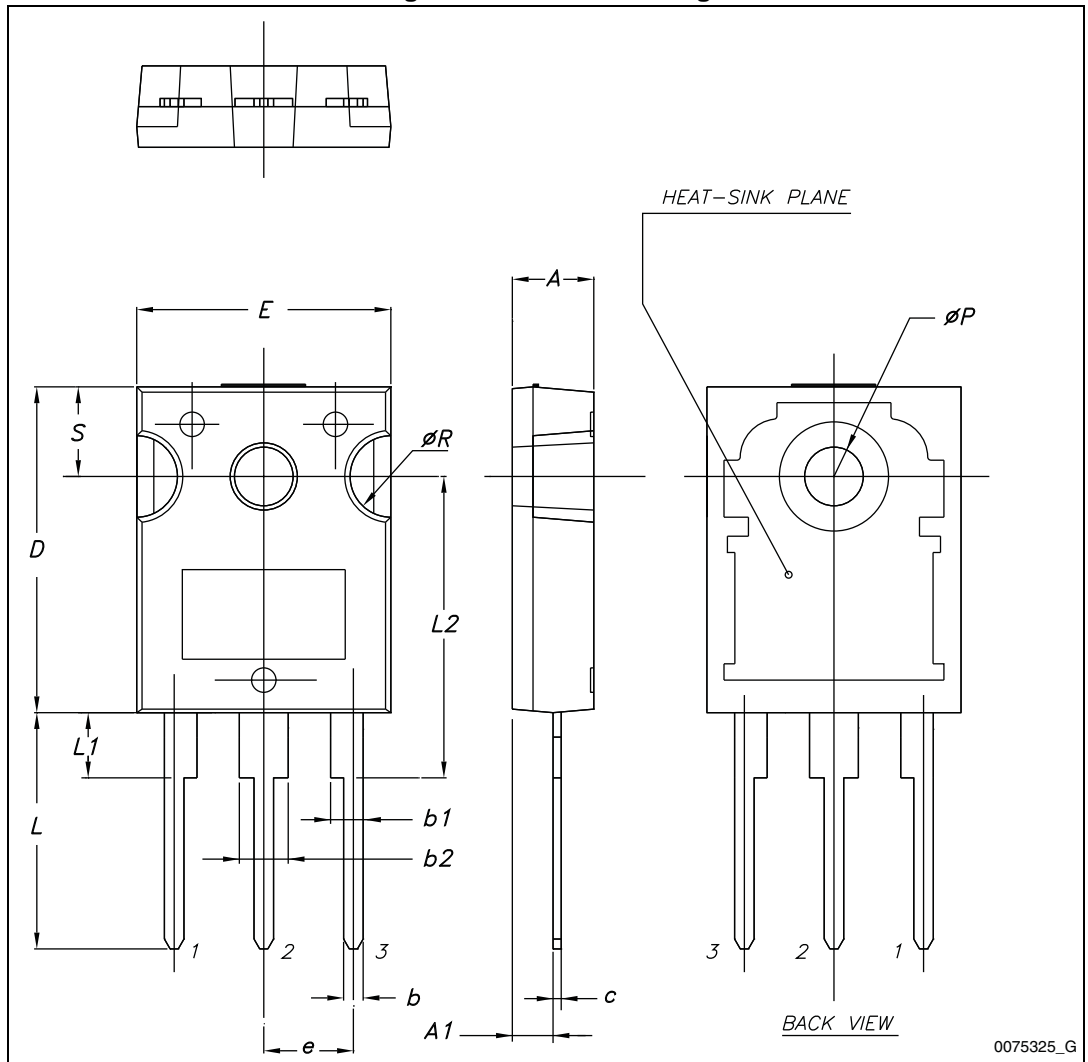


Table 12. TO-247 mechanical data

Dim.	mm.		
	Min.	Typ.	Max.
A	4.85		5.15
A1	2.20		2.60
b	1.0		1.40
b1	2.0		2.40
b2	3.0		3.40
c	0.40		0.80
D	19.85		20.15
E	15.45		15.75
e	5.30	5.45	5.60
L	14.20		14.80
L1	3.70		4.30
L2		18.50	
ØP	3.55		3.65
ØR	4.50		5.50
S	5.30	5.50	5.70

# 5 Packaging mechanical data

Figure 29. Tape

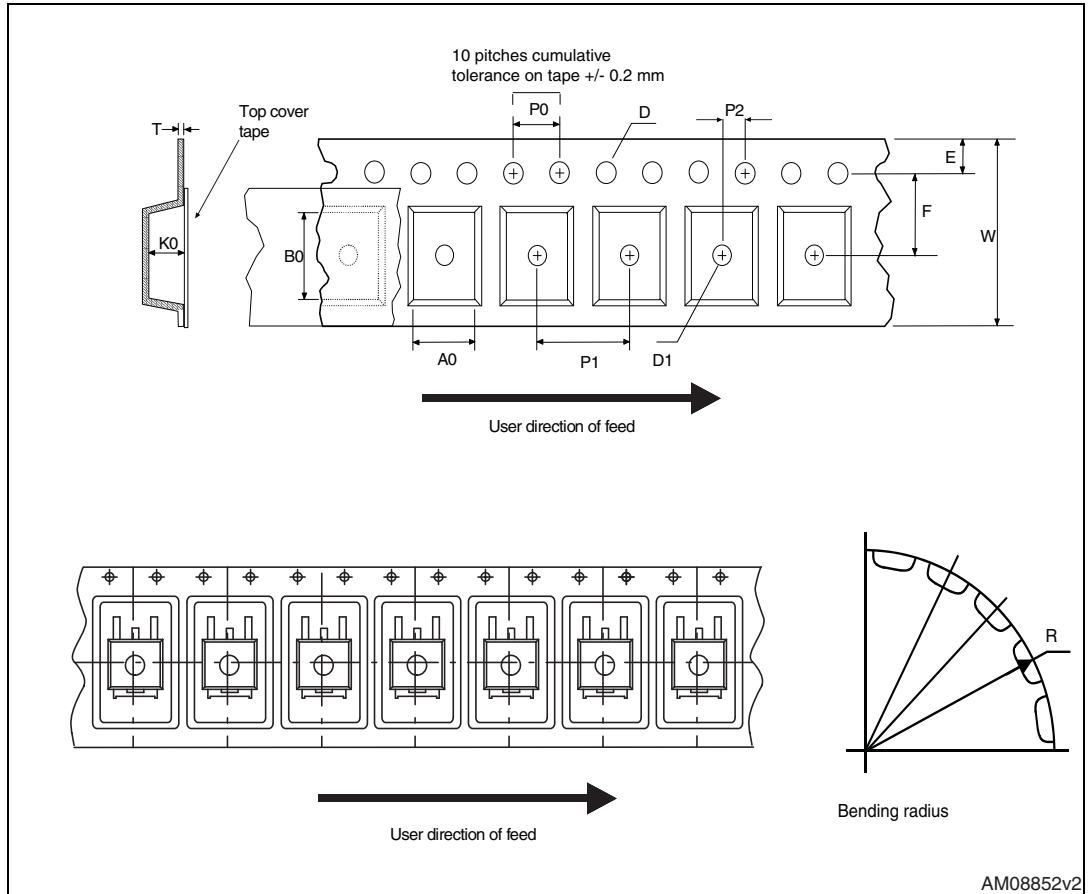


Figure 30. Reel

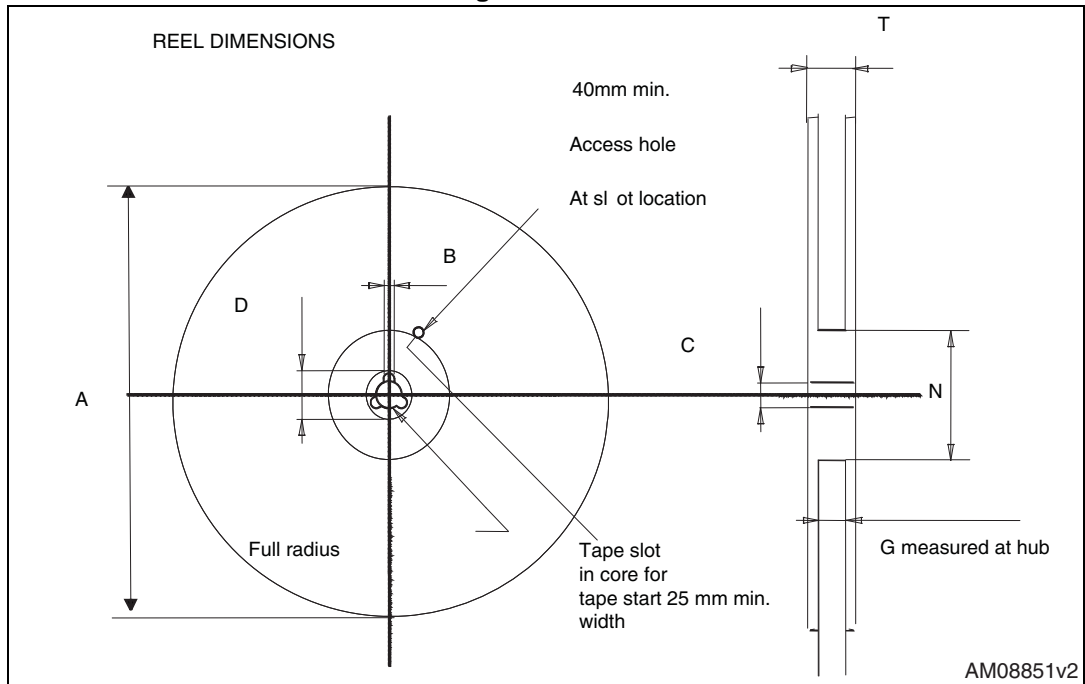


Table 13. H<sup>2</sup>PAK-2 tape and reel mechanical data

Tape			Reel		
Dim.	mm		Dim.	mm	
	Min.	Max.		Min.	Max.
A0	10.5	10.7	A		330
B0	15.7	15.9	B	1.5	
D	1.5	1.6	C	12.8	13.2
D1	1.59	1.61	D	20.2	
E	1.65	1.85	G	24.4	26.4
F	11.4	11.6	N	100	
K0	4.8	5.0	T		30.4
P0	3.9	4.1			
P1	11.9	12.1	Base qty		1000
P2	1.9	2.1	Bulk qty		1000
R	50				
T	0.25	0.35			
W	23.7	24.3			

## 6 Revision history

**Table 14. Document revision history**

Date	Revision	Changes
12-Jan-2007	1	First release
17-Apr-2007	2	Added new value on <a href="#">Table 6</a> .
14-May-2007	3	The document has been reformatted
29-Aug-2007	4	$R_{DS(on)}$ value changed, updated <a href="#">Figure 15</a>
09-Apr-2008	5	Added new package: TO-3PF
13-Feb-2009	6	Added $P_{TOT}$ value for TO-3PF ( <a href="#">Table 2: Absolute maximum ratings</a> )
01-Dec-2009	7	<ul style="list-style-type: none"> <li>– Document status promoted from preliminary data to datasheet</li> <li>– Removed TO-220FH package and mechanical data</li> </ul>
10-Dec-2009	8	Corrected $V_{ISO}$ value in <a href="#">Table 2: Absolute maximum ratings</a>
29-Jun-2010	9	Corrected unit in <a href="#">Table 3</a> .
08-Feb-2013	10	<ul style="list-style-type: none"> <li>– Minor text changes</li> <li>– Modified: <a href="#">Table 3</a></li> <li>– Changed: <a href="#">Figure 1</a></li> <li>– Added: H<sup>2</sup>PAK-2 package</li> </ul>
18-Feb-2014	11	<ul style="list-style-type: none"> <li>– Modified: <a href="#">Figure 1</a></li> <li>– Updated: <a href="#">Figure 18</a>, <a href="#">19</a>, <a href="#">20</a> and <a href="#">21</a></li> <li>– Updated: <a href="#">Figure 27</a> and <a href="#">Table 11</a></li> <li>– Updated: <a href="#">Section 4: Package mechanical data</a></li> <li>– Minor text changes</li> </ul>

**Please Read Carefully:**

Information in this document is provided solely in connection with ST products. STMicroelectronics NV and its subsidiaries ("ST") reserve the right to make changes, corrections, modifications or improvements, to this document, and the products and services described herein at any time, without notice.

All ST products are sold pursuant to ST's terms and conditions of sale.

Purchasers are solely responsible for the choice, selection and use of the ST products and services described herein, and ST assumes no liability whatsoever relating to the choice, selection or use of the ST products and services described herein.

No license, express or implied, by estoppel or otherwise, to any intellectual property rights is granted under this document. If any part of this document refers to any third party products or services it shall not be deemed a license grant by ST for the use of such third party products or services, or any intellectual property contained therein or considered as a warranty covering the use in any manner whatsoever of such third party products or services or any intellectual property contained therein.

**UNLESS OTHERWISE SET FORTH IN ST'S TERMS AND CONDITIONS OF SALE ST DISCLAIMS ANY EXPRESS OR IMPLIED WARRANTY WITH RESPECT TO THE USE AND/OR SALE OF ST PRODUCTS INCLUDING WITHOUT LIMITATION IMPLIED WARRANTIES OF MERCHANTABILITY, FITNESS FOR A PARTICULAR PURPOSE (AND THEIR EQUIVALENTS UNDER THE LAWS OF ANY JURISDICTION), OR INFRINGEMENT OF ANY PATENT, COPYRIGHT OR OTHER INTELLECTUAL PROPERTY RIGHT.**

**ST PRODUCTS ARE NOT DESIGNED OR AUTHORIZED FOR USE IN: (A) SAFETY CRITICAL APPLICATIONS SUCH AS LIFE SUPPORTING, ACTIVE IMPLANTED DEVICES OR SYSTEMS WITH PRODUCT FUNCTIONAL SAFETY REQUIREMENTS; (B) AERONAUTIC APPLICATIONS; (C) AUTOMOTIVE APPLICATIONS OR ENVIRONMENTS, AND/OR (D) AEROSPACE APPLICATIONS OR ENVIRONMENTS. WHERE ST PRODUCTS ARE NOT DESIGNED FOR SUCH USE, THE PURCHASER SHALL USE PRODUCTS AT PURCHASER'S SOLE RISK, EVEN IF ST HAS BEEN INFORMED IN WRITING OF SUCH USAGE, UNLESS A PRODUCT IS EXPRESSLY DESIGNATED BY ST AS BEING INTENDED FOR "AUTOMOTIVE, AUTOMOTIVE SAFETY OR MEDICAL" INDUSTRY DOMAINS ACCORDING TO ST PRODUCT DESIGN SPECIFICATIONS. PRODUCTS FORMALLY ESCC, QML OR JAN QUALIFIED ARE DEEMED SUITABLE FOR USE IN AEROSPACE BY THE CORRESPONDING GOVERNMENTAL AGENCY.**

Resale of ST products with provisions different from the statements and/or technical features set forth in this document shall immediately void any warranty granted by ST for the ST product or service described herein and shall not create or extend in any manner whatsoever, any liability of ST.

ST and the ST logo are trademarks or registered trademarks of ST in various countries.

Information in this document supersedes and replaces all information previously supplied.

The ST logo is a registered trademark of STMicroelectronics. All other names are the property of their respective owners.

© 2014 STMicroelectronics - All rights reserved

STMicroelectronics group of companies



Australia - Belgium - Brazil - Canada - China - Czech Republic - Finland - France - Germany - Hong Kong - India - Israel - Italy - Japan - Malaysia - Malta - Morocco - Philippines - Singapore - Spain - Sweden - Switzerland - United Kingdom - United States of America

[www.st.com](http://www.st.com)



## Looking for pricing, stock, or lifecycle information?

Click below to explore more details on WIN SOURCE:

-  [View \*\*STH3N150-2\*\* on WIN SOURCE](#)
-  [STMicroelectronics](#) Information

## Optimize Your Supply Chain with WIN SOURCE Solutions

-  Global Sourcing Solution
-  Obsolete Management
-  Cost Control Management
-  Shortage Management
-  Alternative Solution
-  Excess Inventory Management