



**THE DATASHEET OF  
SN74HCT257DT**

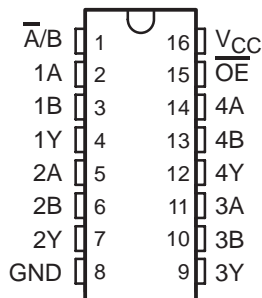


# SN54HCT257, SN74HCT257 QUADRUPLE 2-LINE TO 1-LINE DATA SELECTORS/MULTIPLEXERS WITH 3-STATE OUTPUTS

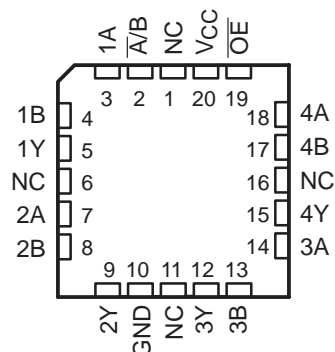
SCLS072D – NOVEMBER 1988 – REVISED SEPTEMBER 2003

- Operating Voltage Range of 4.5 V to 5.5 V
- High-Current 3-State Outputs Interface Directly With System Bus
- Typical  $t_{pd} = 17$  ns
- Low Power Consumption, 80- $\mu$ A Max  $I_{CC}$
- $\pm 6$ -mA Output Drive at 5 V
- Low Input Current of 1  $\mu$ A Max
- Inputs Are TTL-Voltage Compatible
- Provide Bus Interface From Multiple Sources in High-Performance Systems
- Buffered Inputs and Outputs

SN54HCT257 . . . J PACKAGE  
SN74HCT257 . . . D OR N PACKAGE  
(TOP VIEW)



SN54HCT257 . . . FK PACKAGE  
(TOP VIEW)



NC – No internal connection

## description/ordering information

The 'HCT257 devices are designed to multiplex signals from 4-bit data sources to 4-output data lines in bus-organized systems. The 3-state outputs do not load the data lines when the output-enable ( $\overline{OE}$ ) input is at the high logic level.

To ensure the high-impedance state during power up or power down,  $\overline{OE}$  should be tied to  $V_{CC}$  through a pullup resistor; the minimum value of the resistor is determined by the current-sinking capability of the driver.

## ORDERING INFORMATION

| $T_A$          | PACKAGE†  |              | ORDERABLE PART NUMBER | TOP-SIDE MARKING |
|----------------|-----------|--------------|-----------------------|------------------|
| –40°C to 85°C  | PDIP – N  | Tube of 25   | SN74HCT257N           | SN74HCT257N      |
|                | SOIC – D  | Tube of 40   | SN74HCT257D           | HCT257           |
|                |           | Reel of 2500 | SN74HCT257DR          |                  |
|                |           | Reel of 250  | SN74HCT257DT          |                  |
| –55°C to 125°C | CDIP – J  | Tube of 25   | SNJ54HCT257J          | SNJ54HCT257J     |
|                | LCCC – FK | Tube of 55   | SNJ54HCT257FK         | SNJ54HCT257FK    |

† Package drawings, standard packing quantities, thermal data, symbolization, and PCB design guidelines are available at [www.ti.com/sc/package](http://www.ti.com/sc/package).



Please be aware that an important notice concerning availability, standard warranty, and use in critical applications of Texas Instruments semiconductor products and disclaimers thereto appears at the end of this data sheet.

UNLESS OTHERWISE NOTED this document contains PRODUCTION DATA information current as of publication date. Products conform to specifications per the terms of Texas Instruments standard warranty. Production processing does not necessarily include testing of all parameters.

**TEXAS  
INSTRUMENTS**

POST OFFICE BOX 655303 • DALLAS, TEXAS 75265

Copyright © 2003, Texas Instruments Incorporated

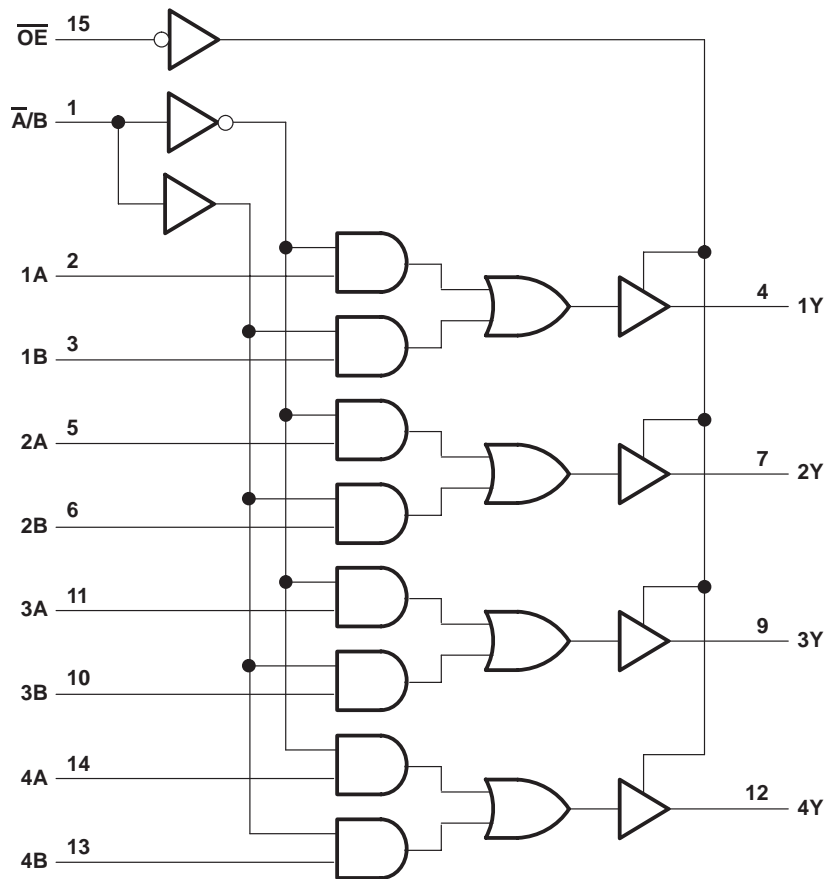
# SN54HCT257, SN74HCT257 QUADRUPLE 2-LINE TO 1-LINE DATA SELECTORS/MULTIPLEXERS WITH 3-STATE OUTPUTS

SCLS072D – NOVEMBER 1988 – REVISED SEPTEMBER 2003

FUNCTION TABLE

| $\overline{OE}$ | INPUTS                     |      | OUTPUT<br>Y |   |
|-----------------|----------------------------|------|-------------|---|
|                 | SELECT<br>$\overline{A/B}$ | DATA |             |   |
|                 |                            | A    |             | B |
| H               | X                          | X    | X           |   |
| L               | L                          | L    | L           |   |
| L               | L                          | H    | H           |   |
| L               | H                          | X    | L           |   |
| L               | H                          | X    | H           |   |

logic diagram (positive logic)



Pin numbers shown are for the D, J, and N packages.

# SN54HCT257, SN74HCT257 QUADRUPLE 2-LINE TO 1-LINE DATA SELECTORS/MULTIPLEXERS WITH 3-STATE OUTPUTS

SCLS072D – NOVEMBER 1988 – REVISED SEPTEMBER 2003

## absolute maximum ratings over operating free-air temperature range (unless otherwise noted)†

|   |                |
|---|----------------|
| Supply voltage range, $V_{CC}$ .....  | -0.5 V to 7 V  |
| Input clamp current, $I_{IK}$ ( $V_I < 0$ or $V_I > V_{CC}$ ) (see Note 1) .....  | $\pm 20$ mA    |
| Output clamp current, $I_{OK}$ ( $V_O < 0$ or $V_O > V_{CC}$ ) (see Note 1) ..... | $\pm 20$ mA    |
| Continuous output current, $I_O$ ( $V_O = 0$ to $V_{CC}$ ) .....                  | $\pm 35$ mA    |
| Continuous current through $V_{CC}$ or GND .....                                  | $\pm 70$ mA    |
| Package thermal impedance, $\theta_{JA}$ (see Note 2): D package .....            | 73°C/W         |
| N package .....   | 67°C/W         |
| Storage temperature range, $T_{stg}$ .....  | -65°C to 150°C |

† Stresses beyond those listed under “absolute maximum ratings” may cause permanent damage to the device. These are stress ratings only, and functional operation of the device at these or any other conditions beyond those indicated under “recommended operating conditions” is not implied. Exposure to absolute-maximum-rated conditions for extended periods may affect device reliability.

- NOTES: 1. The input and output voltage ratings may be exceeded if the input and output current ratings are observed.  
2. The package thermal impedance is calculated in accordance with JESD 51-7.

## recommended operating conditions (see Note 3)

|          |                                       | SN54HCT257                |          |     | SN74HCT257 |          |     | UNIT |
|----------|---------------------------------------|---------------------------|----------|-----|------------|----------|-----|------|
|          |                                       | MIN                       | NOM      | MAX | MIN        | NOM      | MAX |      |
| $V_{CC}$ | Supply voltage                        | 4.5                       | 5        | 5.5 | 4.5        | 5        | 5.5 | V    |
| $V_{IH}$ | High-level input voltage              | $V_{CC} = 4.5$ V to 5.5 V |          | 2   | 2          |          |     | V    |
| $V_{IL}$ | Low-level input voltage               | $V_{CC} = 4.5$ V to 5.5 V |          |     | 0.8        |          |     | V    |
| $V_I$    | Input voltage                         | 0                         | $V_{CC}$ |     | 0          | $V_{CC}$ |     | V    |
| $V_O$    | Output voltage                        | 0                         | $V_{CC}$ |     | 0          | $V_{CC}$ |     | V    |
| $t_t$    | Input transition (rise and fall) time |                           | 500      |     |            | 500      |     | ns   |
| $T_A$    | Operating free-air temperature        | -55                       | 125      |     | -40        | 85       |     | °C   |

NOTE 3: All unused inputs of the device must be held at  $V_{CC}$  or GND to ensure proper device operation. Refer to the TI application report, *Implications of Slow or Floating CMOS Inputs*, literature number SCBA004.

## electrical characteristics over recommended operating free-air temperature range (unless otherwise noted)

| PARAMETER                | TEST CONDITIONS  | $V_{CC}$       | $T_A = 25^\circ\text{C}$   |            |           | SN54HCT257 |            | SN74HCT257    |     | UNIT |
|--------------------------|--|----------------|----------------------------|------------|-----------|------------|------------|---------------|-----|------|
|                          |  |                | MIN                        | TYP        | MAX       | MIN        | MAX        | MIN           | MAX |      |
| $V_{OH}$                 | $V_I = V_{IH}$ or $V_{IL}$                                 | 4.5 V          | $I_{OH} = -20 \mu\text{A}$ |            | 4.4       | 4.499      | 4.4        | 4.4           | V   |      |
|                          |  |                | $I_{OH} = -6 \text{ mA}$   |            | 3.98      | 4.3        | 3.7        | 3.84          |     |      |
| $V_{OL}$                 | $V_I = V_{IH}$ or $V_{IL}$                                 | 4.5 V          | $I_{OL} = 20 \mu\text{A}$  |            |           | 0.001      | 0.1        | 0.1           | V   |      |
|                          |  |                | $I_{OL} = 6 \text{ mA}$    |            |           | 0.17       | 0.26       | 0.4           |     | 0.33 |
| $I_I$                    | $V_I = V_{CC}$ or 0  | 5.5 V          |                            | $\pm 0.1$  | $\pm 100$ | $\pm 1000$ | $\pm 1000$ | nA            |     |      |
| $I_{OZ}$                 | $V_O = V_{CC}$ or 0, $V_I = V_{IH}$ or $V_{IL}$            | 5.5 V          |                            | $\pm 0.01$ | $\pm 0.5$ | $\pm 10$   | $\pm 5$    | $\mu\text{A}$ |     |      |
| $I_{CC}$                 | $V_I = V_{CC}$ or 0, $I_O = 0$                             | 5.5 V          |                            |            | 8         | 160        | 80         | $\mu\text{A}$ |     |      |
| $\Delta I_{CC}^\ddagger$ | One input at 0.5 V or 2.4 V, Other inputs at 0 or $V_{CC}$ | 5.5 V          |                            | 1.4        | 2.4       | 3          | 2.9        | mA            |     |      |
| $C_i$                    |  | 4.5 V to 5.5 V |                            | 3          | 10        | 10*        | 10         | pF            |     |      |

\* On products compliant to MIL-PRF-38535, this parameter is not production tested.

‡ This is the increase in supply current for each input that is at one of the specified TTL voltage levels, rather than 0 V or  $V_{CC}$ .

PRODUCT PREVIEW information concerns products in the formative or design phase of development. Characteristic data and other specifications are design goals. Texas Instruments reserves the right to change or discontinue these products without notice.



# SN54HCT257, SN74HCT257 QUADRUPLE 2-LINE TO 1-LINE DATA SELECTORS/MULTIPLEXERS WITH 3-STATE OUTPUTS

SCLS072D – NOVEMBER 1988 – REVISED SEPTEMBER 2003

switching characteristics over recommended operating free-air temperature range,  $C_L = 50 \text{ pF}$  (unless otherwise noted) (see Figure 1)

| PARAMETER | FROM (INPUT)    | TO (OUTPUT) | $V_{CC}$ | $T_A = 25^\circ\text{C}$ |     |     | SN54HCT257 |     | SN74HCT257 |     | UNIT |
|-----------|-----------------|-------------|----------|--------------------------|-----|-----|------------|-----|------------|-----|------|
|           |                 |             |          | MIN                      | TYP | MAX | MIN        | MAX | MIN        | MAX |      |
| $t_{pd}$  | A or B          | Y           | 4.5 V    |                          | 20  | 30  |            | 45  |            | 38  | ns   |
|           |                 |             | 5.5 V    |                          | 17  | 27  |            | 40  |            | 34  |      |
|           | $\bar{A}/B$     | Y           | 4.5 V    |                          | 20  | 30  |            | 45  |            | 38  |      |
|           |                 |             | 5.5 V    |                          | 17  | 27  |            | 40  |            | 34  |      |
| $t_{en}$  | $\overline{OE}$ | Y           | 4.5 V    |                          | 20  | 30  |            | 45  |            | 38  | ns   |
|           |                 |             | 5.5 V    |                          | 17  | 27  |            | 40  |            | 34  |      |
| $t_{dis}$ | $\overline{OE}$ | Y           | 4.5 V    |                          | 20  | 30  |            | 45  |            | 38  | ns   |
|           |                 |             | 5.5 V    |                          | 17  | 27  |            | 40  |            | 34  |      |
| $t_t$     |                 | Any         | 4.5 V    |                          | 8   | 15  |            | 22  |            | 19  | ns   |
|           |                 |             | 5.5 V    |                          | 7   | 14  |            | 21  |            | 17  |      |

switching characteristics over recommended operating free-air temperature range,  $C_L = 150 \text{ pF}$  (unless otherwise noted) (see Figure 1)

| PARAMETER | FROM (INPUT)    | TO (OUTPUT) | $V_{CC}$ | $T_A = 25^\circ\text{C}$ |     |     | SN54HCT257 |     | SN74HCT257 |     | UNIT |
|-----------|-----------------|-------------|----------|--------------------------|-----|-----|------------|-----|------------|-----|------|
|           |                 |             |          | MIN                      | TYP | MAX | MIN        | MAX | MIN        | MAX |      |
| $t_{pd}$  | A or B          | Y           | 4.5 V    |                          | 22  | 38  |            | 57  |            | 48  | ns   |
|           |                 |             | 5.5 V    |                          | 19  | 35  |            | 53  |            | 44  |      |
|           | $\bar{A}/B$     | Y           | 4.5 V    |                          | 22  | 38  |            | 57  |            | 48  |      |
|           |                 |             | 5.5 V    |                          | 19  | 35  |            | 53  |            | 44  |      |
| $t_{en}$  | $\overline{OE}$ | Y           | 4.5 V    |                          | 23  | 40  |            | 60  |            | 50  | ns   |
|           |                 |             | 5.5 V    |                          | 20  | 38  |            | 57  |            | 48  |      |
| $t_t$     |                 | Any         | 4.5 V    |                          | 17  | 42  |            | 63  |            | 53  | ns   |
|           |                 |             | 5.5 V    |                          | 14  | 38  |            | 57  |            | 48  |      |

operating characteristics,  $T_A = 25^\circ\text{C}$

| PARAMETER                              | TEST CONDITIONS | TYP | UNIT |
|--|-----------------|-----|------|
| $C_{pd}$ Power dissipation capacitance | No load         | 13  | pF   |

PRODUCT PREVIEW information concerns products in the formative or design phase of development. Characteristic data and other specifications are design goals. Texas Instruments reserves the right to change or discontinue these products without notice.

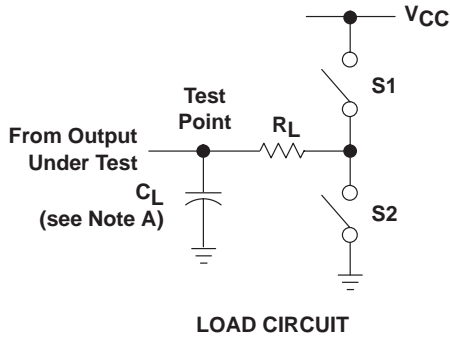


POST OFFICE BOX 655303 • DALLAS, TEXAS 75265

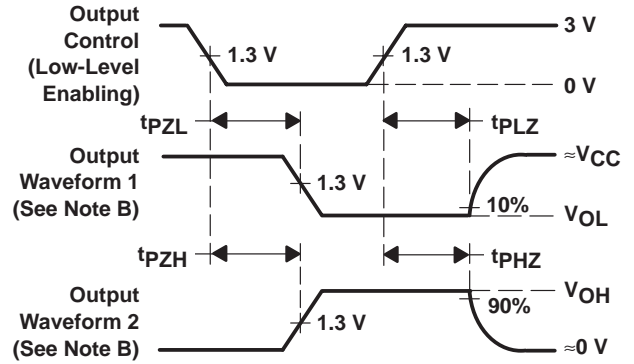
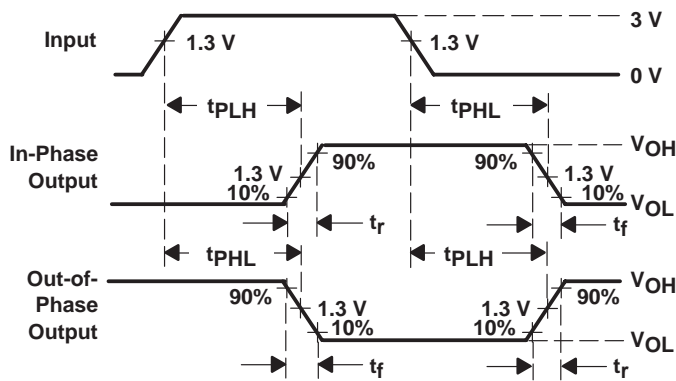
# SN54HCT257, SN74HCT257 QUADRUPLE 2-LINE TO 1-LINE DATA SELECTORS/MULTIPLEXERS WITH 3-STATE OUTPUTS

SCLS072D – NOVEMBER 1988 – REVISED SEPTEMBER 2003

## PARAMETER MEASUREMENT INFORMATION



| PARAMETER         |           | $R_L$        | $C_L$                 | S1     | S2     |
|-------------------|-----------|--------------|-----------------------|--------|--------|
| $t_{en}$          | $t_{PZH}$ | 1 k $\Omega$ | 50 pF<br>or<br>150 pF | Open   | Closed |
|                   | $t_{PZL}$ |              |                       | Closed | Open   |
| $t_{dis}$         | $t_{PHZ}$ | 1 k $\Omega$ | 50 pF                 | Open   | Closed |
|                   | $t_{PLZ}$ |              |                       | Closed | Open   |
| $t_{pd}$ or $t_t$ |           | --           | 50 pF<br>or<br>150 pF | Open   | Open   |



- NOTES:
- $C_L$  includes probe and test-fixture capacitance.
  - Waveform 1 is for an output with internal conditions such that the output is low except when disabled by the output control. Waveform 2 is for an output with internal conditions such that the output is high except when disabled by the output control.
  - Phase relationships between waveforms were chosen arbitrarily. All input pulses are supplied by generators having the following characteristics: PRR  $\leq$  1 MHz,  $Z_O = 50 \Omega$ ,  $t_r = 6$  ns,  $t_f = 6$  ns.
  - The outputs are measured one at a time with one input transition per measurement.
  - $t_{PLZ}$  and  $t_{PHZ}$  are the same as  $t_{dis}$ .
  - $t_{PZL}$  and  $t_{PZH}$  are the same as  $t_{en}$ .
  - $t_{PLH}$  and  $t_{PHL}$  are the same as  $t_{pd}$ .

**Figure 1. Load Circuit and Voltage Waveforms**

**PACKAGING INFORMATION**

| Orderable Device | Status<br>(1) | Package Type | Package Drawing | Pins | Package Qty | Eco Plan<br>(2)         | Lead/Ball Finish<br>(6) | MSL Peak Temp<br>(3) | Op Temp (°C) | Device Marking<br>(4/5) | Samples                 |
|------------------|---------------|--------------|-----------------|------|-------------|-------------------------|-------------------------|----------------------|--------------|-------------------------|-------------------------|
| SN74HCT257D      | ACTIVE        | SOIC         | D               | 16   | 40          | Green (RoHS & no Sb/Br) | CU NIPDAU               | Level-1-260C-UNLIM   | -40 to 85    | HCT257                  | <a href="#">Samples</a> |
| SN74HCT257DR     | ACTIVE        | SOIC         | D               | 16   | 2500        | Green (RoHS & no Sb/Br) | CU NIPDAU               | Level-1-260C-UNLIM   | -40 to 85    | HCT257                  | <a href="#">Samples</a> |
| SN74HCT257DRE4   | ACTIVE        | SOIC         | D               | 16   | 2500        | Green (RoHS & no Sb/Br) | CU NIPDAU               | Level-1-260C-UNLIM   | -40 to 85    | HCT257                  | <a href="#">Samples</a> |
| SN74HCT257N      | ACTIVE        | PDIP         | N               | 16   | 25          | Green (RoHS & no Sb/Br) | CU NIPDAU               | N / A for Pkg Type   | -40 to 85    | SN74HCT257N             | <a href="#">Samples</a> |

(1) The marketing status values are defined as follows:

**ACTIVE:** Product device recommended for new designs.

**LIFEBUY:** TI has announced that the device will be discontinued, and a lifetime-buy period is in effect.

**NRND:** Not recommended for new designs. Device is in production to support existing customers, but TI does not recommend using this part in a new design.

**PREVIEW:** Device has been announced but is not in production. Samples may or may not be available.

**OBSELETE:** TI has discontinued the production of the device.

(2) **RoHS:** TI defines "RoHS" to mean semiconductor products that are compliant with the current EU RoHS requirements for all 10 RoHS substances, including the requirement that RoHS substance do not exceed 0.1% by weight in homogeneous materials. Where designed to be soldered at high temperatures, "RoHS" products are suitable for use in specified lead-free processes. TI may reference these types of products as "Pb-Free".

**RoHS Exempt:** TI defines "RoHS Exempt" to mean products that contain lead but are compliant with EU RoHS pursuant to a specific EU RoHS exemption.

**Green:** TI defines "Green" to mean the content of Chlorine (Cl) and Bromine (Br) based flame retardants meet JS709B low halogen requirements of <=1000ppm threshold. Antimony trioxide based flame retardants must also meet the <=1000ppm threshold requirement.

(3) MSL, Peak Temp. - The Moisture Sensitivity Level rating according to the JEDEC industry standard classifications, and peak solder temperature.

(4) There may be additional marking, which relates to the logo, the lot trace code information, or the environmental category on the device.

(5) Multiple Device Markings will be inside parentheses. Only one Device Marking contained in parentheses and separated by a "-" will appear on a device. If a line is indented then it is a continuation of the previous line and the two combined represent the entire Device Marking for that device.

(6) Lead/Ball Finish - Orderable Devices may have multiple material finish options. Finish options are separated by a vertical ruled line. Lead/Ball Finish values may wrap to two lines if the finish value exceeds the maximum column width.

**Important Information and Disclaimer:**The information provided on this page represents TI's knowledge and belief as of the date that it is provided. TI bases its knowledge and belief on information provided by third parties, and makes no representation or warranty as to the accuracy of such information. Efforts are underway to better integrate information from third parties. TI has taken and

continues to take reasonable steps to provide representative and accurate information but may not have conducted destructive testing or chemical analysis on incoming materials and chemicals. TI and TI suppliers consider certain information to be proprietary, and thus CAS numbers and other limited information may not be available for release.

In no event shall TI's liability arising out of such information exceed the total purchase price of the TI part(s) at issue in this document sold by TI to Customer on an annual basis.

**TAPE AND REEL INFORMATION**



**QUADRANT ASSIGNMENTS FOR PIN 1 ORIENTATION IN TAPE**



\*All dimensions are nominal

| Device       | Package Type | Package Drawing | Pins | SPQ  | Reel Diameter (mm) | Reel Width W1 (mm) | A0 (mm) | B0 (mm) | K0 (mm) | P1 (mm) | W (mm) | Pin1 Quadrant |
|--------------|--------------|-----------------|------|------|--------------------|--------------------|---------|---------|---------|---------|--------|---------------|
| SN74HCT257DR | SOIC         | D               | 16   | 2500 | 330.0              | 16.4               | 6.5     | 10.3    | 2.1     | 8.0     | 16.0   | Q1            |

**TAPE AND REEL BOX DIMENSIONS**





\*All dimensions are nominal

| Device       | Package Type | Package Drawing | Pins | SPQ  | Length (mm) | Width (mm) | Height (mm) |
|--------------|--------------|-----------------|------|------|-------------|------------|-------------|
| SN74HCT257DR | SOIC         | D               | 16   | 2500 | 333.2       | 345.9      | 28.6        |

D (R-PDSO-G16)

PLASTIC SMALL OUTLINE



- NOTES:
- A. All linear dimensions are in inches (millimeters).
  - B. This drawing is subject to change without notice.
  -  C. Body length does not include mold flash, protrusions, or gate burrs. Mold flash, protrusions, or gate burrs shall not exceed 0.006 (0,15) each side.
  -  D. Body width does not include interlead flash. Interlead flash shall not exceed 0.017 (0,43) each side.
  - E. Reference JEDEC MS-012 variation AC.

D (R-PDSO-G16)

PLASTIC SMALL OUTLINE



- NOTES:
- All linear dimensions are in millimeters.
  - This drawing is subject to change without notice.
  - Publication IPC-7351 is recommended for alternate designs.
  - Laser cutting apertures with trapezoidal walls and also rounding corners will offer better paste release. Customers should contact their board assembly site for stencil design recommendations. Refer to IPC-7525 for other stencil recommendations.
  - Customers should contact their board fabrication site for solder mask tolerances between and around signal pads.



## IMPORTANT NOTICE

Texas Instruments Incorporated (TI) reserves the right to make corrections, enhancements, improvements and other changes to its semiconductor products and services per JESD46, latest issue, and to discontinue any product or service per JESD48, latest issue. Buyers should obtain the latest relevant information before placing orders and should verify that such information is current and complete.

TI's published terms of sale for semiconductor products (<http://www.ti.com/sc/docs/stdterms.htm>) apply to the sale of packaged integrated circuit products that TI has qualified and released to market. Additional terms may apply to the use or sale of other types of TI products and services.

Reproduction of significant portions of TI information in TI data sheets is permissible only if reproduction is without alteration and is accompanied by all associated warranties, conditions, limitations, and notices. TI is not responsible or liable for such reproduced documentation. Information of third parties may be subject to additional restrictions. Resale of TI products or services with statements different from or beyond the parameters stated by TI for that product or service voids all express and any implied warranties for the associated TI product or service and is an unfair and deceptive business practice. TI is not responsible or liable for any such statements.

Buyers and others who are developing systems that incorporate TI products (collectively, "Designers") understand and agree that Designers remain responsible for using their independent analysis, evaluation and judgment in designing their applications and that Designers have full and exclusive responsibility to assure the safety of Designers' applications and compliance of their applications (and of all TI products used in or for Designers' applications) with all applicable regulations, laws and other applicable requirements. Designer represents that, with respect to their applications, Designer has all the necessary expertise to create and implement safeguards that (1) anticipate dangerous consequences of failures, (2) monitor failures and their consequences, and (3) lessen the likelihood of failures that might cause harm and take appropriate actions. Designer agrees that prior to using or distributing any applications that include TI products, Designer will thoroughly test such applications and the functionality of such TI products as used in such applications.

TI's provision of technical, application or other design advice, quality characterization, reliability data or other services or information, including, but not limited to, reference designs and materials relating to evaluation modules, (collectively, "TI Resources") are intended to assist designers who are developing applications that incorporate TI products; by downloading, accessing or using TI Resources in any way, Designer (individually or, if Designer is acting on behalf of a company, Designer's company) agrees to use any particular TI Resource solely for this purpose and subject to the terms of this Notice.

TI's provision of TI Resources does not expand or otherwise alter TI's applicable published warranties or warranty disclaimers for TI products, and no additional obligations or liabilities arise from TI providing such TI Resources. TI reserves the right to make corrections, enhancements, improvements and other changes to its TI Resources. TI has not conducted any testing other than that specifically described in the published documentation for a particular TI Resource.

Designer is authorized to use, copy and modify any individual TI Resource only in connection with the development of applications that include the TI product(s) identified in such TI Resource. NO OTHER LICENSE, EXPRESS OR IMPLIED, BY ESTOPPEL OR OTHERWISE TO ANY OTHER TI INTELLECTUAL PROPERTY RIGHT, AND NO LICENSE TO ANY TECHNOLOGY OR INTELLECTUAL PROPERTY RIGHT OF TI OR ANY THIRD PARTY IS GRANTED HEREIN, including but not limited to any patent right, copyright, mask work right, or other intellectual property right relating to any combination, machine, or process in which TI products or services are used. Information regarding or referencing third-party products or services does not constitute a license to use such products or services, or a warranty or endorsement thereof. Use of TI Resources may require a license from a third party under the patents or other intellectual property of the third party, or a license from TI under the patents or other intellectual property of TI.

TI RESOURCES ARE PROVIDED "AS IS" AND WITH ALL FAULTS. TI DISCLAIMS ALL OTHER WARRANTIES OR REPRESENTATIONS, EXPRESS OR IMPLIED, REGARDING RESOURCES OR USE THEREOF, INCLUDING BUT NOT LIMITED TO ACCURACY OR COMPLETENESS, TITLE, ANY EPIDEMIC FAILURE WARRANTY AND ANY IMPLIED WARRANTIES OF MERCHANTABILITY, FITNESS FOR A PARTICULAR PURPOSE, AND NON-INFRINGEMENT OF ANY THIRD PARTY INTELLECTUAL PROPERTY RIGHTS. TI SHALL NOT BE LIABLE FOR AND SHALL NOT DEFEND OR INDEMNIFY DESIGNER AGAINST ANY CLAIM, INCLUDING BUT NOT LIMITED TO ANY INFRINGEMENT CLAIM THAT RELATES TO OR IS BASED ON ANY COMBINATION OF PRODUCTS EVEN IF DESCRIBED IN TI RESOURCES OR OTHERWISE. IN NO EVENT SHALL TI BE LIABLE FOR ANY ACTUAL, DIRECT, SPECIAL, COLLATERAL, INDIRECT, PUNITIVE, INCIDENTAL, CONSEQUENTIAL OR EXEMPLARY DAMAGES IN CONNECTION WITH OR ARISING OUT OF TI RESOURCES OR USE THEREOF, AND REGARDLESS OF WHETHER TI HAS BEEN ADVISED OF THE POSSIBILITY OF SUCH DAMAGES.

Unless TI has explicitly designated an individual product as meeting the requirements of a particular industry standard (e.g., ISO/TS 16949 and ISO 26262), TI is not responsible for any failure to meet such industry standard requirements.

Where TI specifically promotes products as facilitating functional safety or as compliant with industry functional safety standards, such products are intended to help enable customers to design and create their own applications that meet applicable functional safety standards and requirements. Using products in an application does not by itself establish any safety features in the application. Designers must ensure compliance with safety-related requirements and standards applicable to their applications. Designer may not use any TI products in life-critical medical equipment unless authorized officers of the parties have executed a special contract specifically governing such use. Life-critical medical equipment is medical equipment where failure of such equipment would cause serious bodily injury or death (e.g., life support, pacemakers, defibrillators, heart pumps, neurostimulators, and implantables). Such equipment includes, without limitation, all medical devices identified by the U.S. Food and Drug Administration as Class III devices and equivalent classifications outside the U.S.

TI may expressly designate certain products as completing a particular qualification (e.g., Q100, Military Grade, or Enhanced Product). Designers agree that it has the necessary expertise to select the product with the appropriate qualification designation for their applications and that proper product selection is at Designers' own risk. Designers are solely responsible for compliance with all legal and regulatory requirements in connection with such selection.

Designer will fully indemnify TI and its representatives against any damages, costs, losses, and/or liabilities arising out of Designer's non-compliance with the terms and provisions of this Notice.

## Looking for pricing, stock, or lifecycle information?

Click below to explore more details on WIN SOURCE:

 [View SN74HCT257DT](#) on WIN SOURCE

 [Texas Instruments](#) Information

## Optimize Your Supply Chain with WIN SOURCE Solutions

-  Global Sourcing Solution
-  Obsolete Management
-  Cost Control Management
-  Shortage Management
-  Alternative Solution
-  Excess Inventory Management