



**THE DATASHEET OF
XC74WL240ASR**



XC74WL240ASR



CMOS Logic

CMOS Logic Dual Bus Buffer

(Inverted 3-state outputs)

Operating Voltage Range : 2V ~ 5.5V

High Speed Operations : tpd = 3.8ns (TYP.)

Low Power Consumption : 2 μ A (MAX.)

MSOP-8B Package

APPLICATIONS

Palmtops

Digital equipment

GENERAL DESCRIPTION

XC74WL240ASR is dual bus buffer manufactured using silicon gate CMOS processes. The small supply current, which is one of the features of the CMOS logic, gives way to high speed operations which enables LS-TTL.

With wave forming buffers connected internally, stabilized output can be achieved as the series offers high noise immunity.

As the series is integrated into a mini molded, MSOP-8B package, high density mounting is possible.

FEATURES

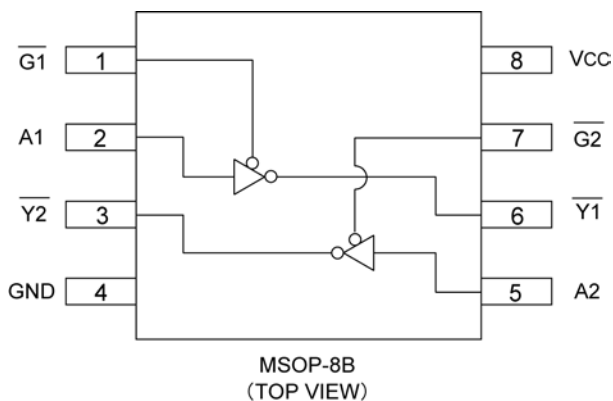
High Speed Operations : tpd = 3.8ns (TYP.) (Vcc=5V)

Operating Voltage Range : 2V ~ 5.5V

Low Power Consumption: 2 μ A (MAX.)

Small Package : MSOP-8B

PIN CONFIGURATION



FUNCTIONS

INPUT		OUTPUT
\bar{G}	A	\bar{Y}
H	X	Z
L	H	L
L	L	H

H=High level

L=Low level

X=Don't care

Z=High impedance

ABSOLUTE MAXIMUM RATINGS

Ta=-40 ~85

PARAMETER	SYMBOL	RATINGS	UNITS
Supply Voltage	VCC	-0.5~+6.0	V
Input Voltage	VIN	-0.5~+6.0	V
Output Voltage	VOUT	-0.5~VCC+0.5	V
Input Diode Current	I _{IK}	-20	mA
Output Diode Current	I _{OK}	± 20	mA
Switch Output Current	I _{OUT}	± 25	mA
VCC,GND Current	I _{CC} ,I _{GND}	± 50	mA
Power Dissipation (Ta = 25)	Pd	300	mW
Storage Temperature Range	Tstg	-65~+150	

Note : Voltage is all ground standardized.

XC74WL240ASR

RECOMMENDED OPERATING CONDITIONS

PARAMETER	SYMBOL	CONDITIONS	UNITS
Supply Voltage	V _{CC}	2~5.5	V
Input Voltage	V _{IN}	0~5.5	V
Output Voltage	V _{OUT}	0~V _{CC}	V
Operating Temperature Range	Topr	-40~+85	
Input Rise and Fall Time	tr,tf	0~200 (V _{CC} =3.3V)	ns
		0~100 (V _{CC} =5V)	

DC ELECTRICAL CHARACTERISTICS

PARAMETER	SYMBOL	V _{CC} (V)	CONDITIONS	Ta=25			Ta=-40 ~85		UNITS	
				MIN.	TYP.	MAX.	MIN.	MAX.		
Input Voltage	V _{IH}	2.0		1.50	-	-	1.50	-	V	
		3.0		2.10	-	-	2.10	-		
		5.5		3.85	-	-	3.85	-		
	V _{IL}	2.0		-	-	0.50	-	0.50	V	
		3.0		-	-	0.90	-	0.90		
		5.5		-	-	1.65	-	1.65		
Output Voltage	V _{OH}	2.0	V _{IN} =V _{IL}	I _{OH} =-50 μA	1.90	2.00	-	1.90	-	V
		3.0			2.90	3.00	-	2.90	-	
		4.5			4.40	4.50	-	4.40	-	
		3.0		I _{OH} =-4mA	2.58	-	-	2.48	-	
		4.5		I _{OH} =-8mA	3.94	-	-	3.80	-	
	V _{OL}	V _{IN} =V _{IH}	I _{OL} =50 μA	2.0	-	-	0.10	-	0.10	V
				3.0	-	-	0.10	-	0.10	
				4.5	-	-	0.10	-	0.10	
			3.0	I _{OL} =4mA	-	-	0.36	-	0.44	
			4.5	I _{OL} =8mA	-	-	0.36	-	0.44	
3 State Off-Leak Current	I _{oz}	5.0	V _{IN} =V _{IL} or V _{IH} , V _{OUT} =V _{CC} or GND	-0.25	-	0.25	-2.50	2.50	μA	
Input Current	I _{IN}	0~5.5	V _{IN} =V _{CC} or GND	-0.10	-	0.1	-1.00	1.00	μA	
Static Supply Current	I _{CC}	5.5	V _{IN} =V _{CC} or GND	-	-	2.0	-	20.0	μA	

SWITCHING ELECTRICAL CHARACTERISTICS

(tr=tf=3ns)

PARAMETER	SYMBOL	CONDITIONS		Ta=25			Ta=-40 ~85		UNITS		
		CL	Vcc(V)	MIN.	TYP.	MAX.	MIN.	MAX.			
Delay Time	tPLH	15pF	3.3		-	5.6	8.0	1.0	9.5	ns	
			5.0		-	3.8	5.5	1.0	6.5		
		50pF	3.3		-	8.1	11.5	1.0	13.0	ns	
			5.0		-	5.3	7.5	1.0	8.5		
	tPHL	15pF	3.3		-	5.6	8.0	1.0	9.5	ns	
			5.0		-	3.8	5.5	1.0	6.5		
		50pF	3.3		-	8.1	11.5	1.0	13.0	ns	
			5.0		-	5.3	7.5	1.0	8.5		
Output Enable Time	tZL	15pF	3.3	RL=1k	-	5.4	8.0	1.0	9.5	ns	
			5.0		-	3.6	5.1	1.0	6.0		
		50pF	3.3			-	7.9	11.5	1.0	13.0	ns
			5.0			-	5.1	7.1	1.0	8.0	
	tZH	15pF	3.3	RL=1k	-	5.4	8.0	1.0	9.5	ns	
			5.0		-	3.6	5.1	1.0	6.0		
		50pF	3.3			-	7.9	11.5	1.0	13.0	ns
			5.0			-	5.1	7.1	1.0	8.0	
Output Disable Time	tLZ	50pF	3.3	RL=1k	-	9.5	13.2	1.0	15.0	ns	
			5.0		-	6.1	8.8	1.0	10.0		
	tHZ	50pF	3.3	RL=1k	-	9.5	13.2	1.0	15.0	ns	
			5.0		-	6.1	8.8	1.0	10.0		
Output Pin Skew (Note)	tosLH	50pF	3.3		-	-	1.5	-	1.5	ns	
			5.0		-	-	1.0	-	1.0		
	tosHL	50pF	3.3		-	-	1.5	-	1.5	ns	
			5.0		-	-	1.0	-	1.0		
Input Capacitance	CIN	-	-		-	4	10	-	10	pF	
Output Capacitance	COUT	-	-		-	6	-	-	-	pF	
Power Dissipation Capacitance	Cpd	-	-		-	17	-	-	-	pF	

Note: tosLH and tosHL are the guaranteed parameters.

$$\text{tosLH} = |t_{\text{PLHm}} - t_{\text{PHLn}}|, \text{tosHL} = |t_{\text{PHLm}} - t_{\text{PLLn}}|$$

NOISE CHARACTERISTICS

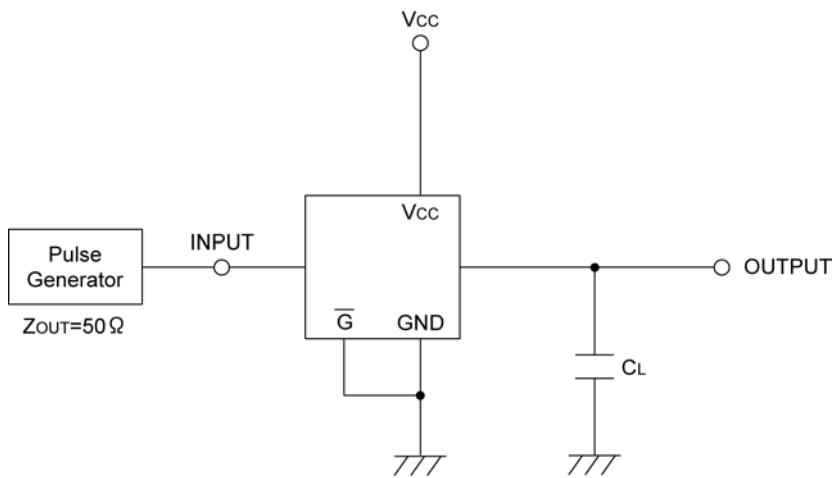
(tr=tf=3ns)

PARAMETER	SYMBOL	CONDITIONS		Ta=25			UNITS	
		CL	Vcc(V)	MIN.	TYP.	MAX.		
Non Functional Output Maximum Dynamic VOL	VOLP	50pF	5.0		-	0.3	0.8	V
Non Functional Output Minimum Dynamic VOL	VOLV	50pF	5.0		-0.8	-0.3	-	V
Minimum Dynamic VIH	VIHD	50pF	5.0		-	-	3.5	V
Maximum Dynamic VIL	VILD	50pF	5.0		-	-	1.5	V

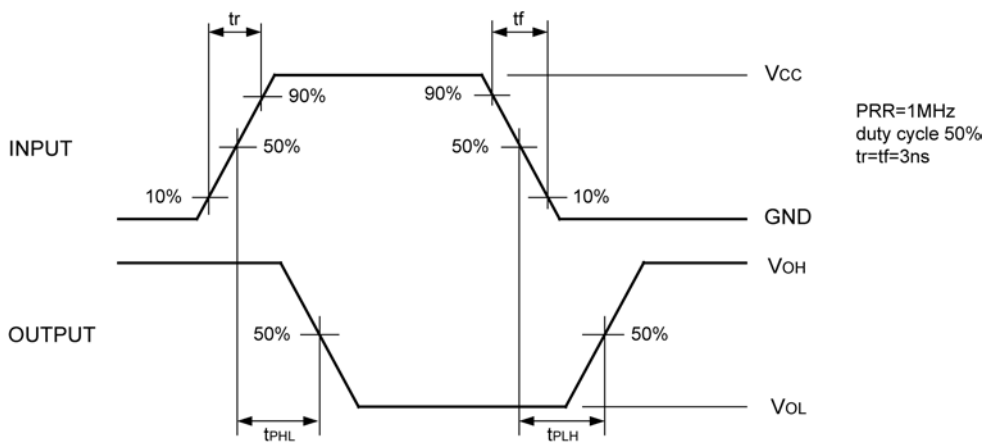
XC74WL240ASR

DELAY TIME

Test Circuit

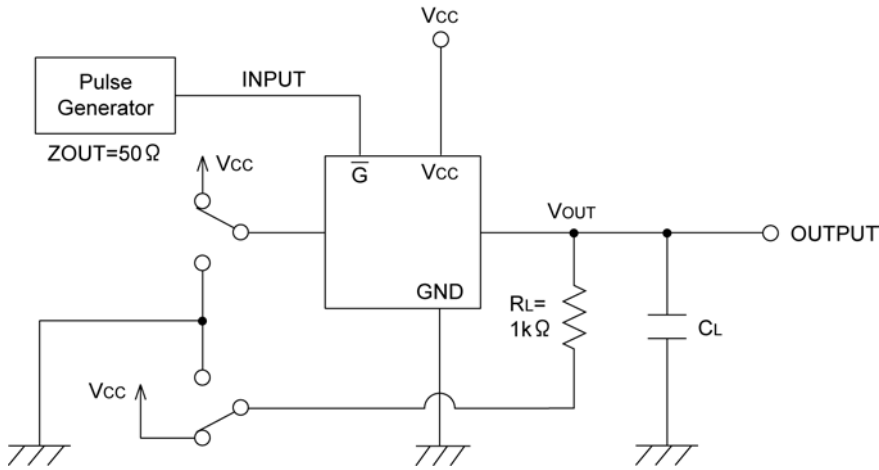


Waveform

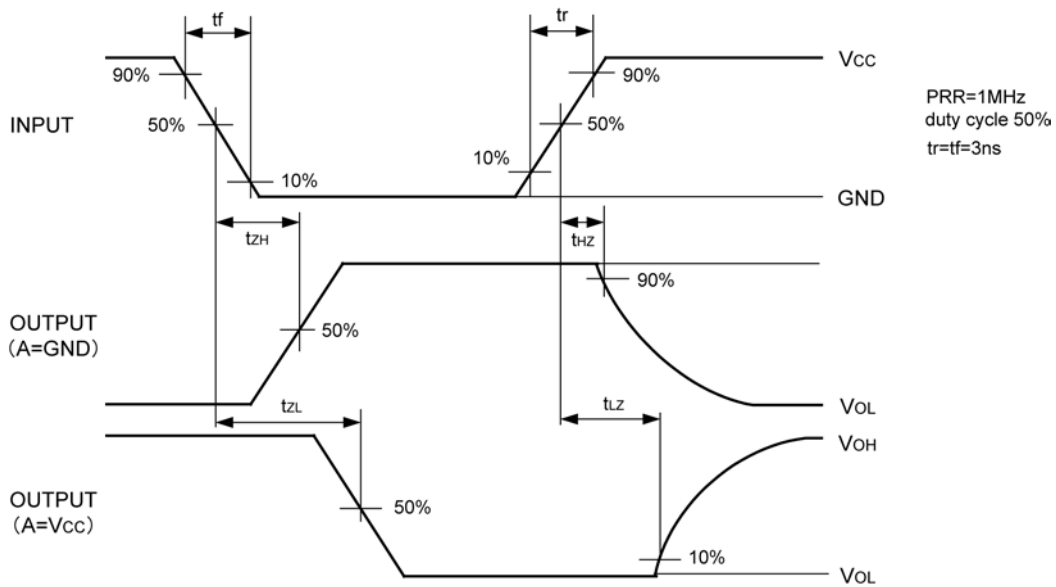


OUTPUT ENABLE TIME, OUTPUT DISABLE TIME

Test Circuit



Waveform



Looking for pricing, stock, or lifecycle information?

Click below to explore more details on WIN SOURCE:

- ⊖ [View XC74WL240ASR on WIN SOURCE](#)
- ⊖ [Torex Semiconductor Ltd Information](#)

Optimize Your Supply Chain with WIN SOURCE Solutions

- ✓ Global Sourcing Solution
- ✓ Obsolete Management
- ✓ Cost Control Management
- ✓ Shortage Management
- ✓ Alternative Solution
- ✓ Excess Inventory Management