



**THE DATASHEET OF
SP6654ER-L/TR**

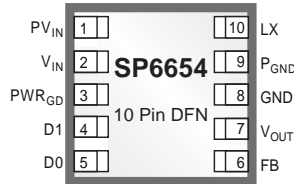


High Efficiency 800mA Synchronous Buck Regulator

Ideal for portable designs powered with Li Ion battery

FEATURES

- Ultra-low 20 μ A Quiescent Current
- 98% Efficiency Possible
- 800mA Output Current
- 2.7V to 5.5V Input Voltage Range
- Output Adjustable Down to 1.0V
- No External FET's Required
- 1.25A Inductor Peak Current Limit
- 100% Duty Ratio Low Dropout Operation
- 80 μ A Light Load Quiescent Current in Dropout
- Logic Shutdown Control
- Programmable UVLO
- Small 10 pin MSOP Package
- Power Good Indicator
- Industry Standard 10 Pin MSOP and Small DFN Package



Now Available in Lead Free Packaging

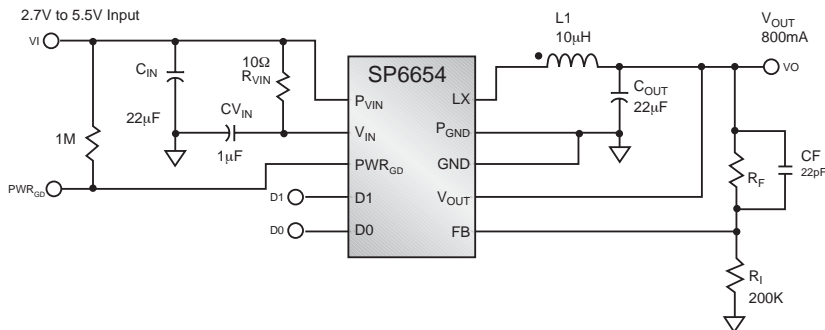
APPLICATIONS

- PDA's
- DSC's
- MP3 Players
- USB Devices
- Point of Use Power

DESCRIPTION

The SP6654 is a 800mA synchronous buck regulator which is ideal for portable applications that use a Li-Ion or 3 cell alkaline/NiCD/NiMH input. The SP6654's proprietary control loop, 20 μ A light load quiescent current, and 0.3 Ω power switches provide excellent efficiency across a wide range of output currents. As the input battery supply decreases towards the output voltage the SP6654 seamlessly transitions into 100% duty ratio operation further extending useful battery life. The SP6654 is protected against overload and short circuit conditions with a precise inductor peak current limit. Other features include programmable under voltage lockout, externally programmed output voltage down to 1.0V, logic level shutdown control, and an open drain power good indicator when V_{OUT} is above 94% of its programmed value.

TYPICAL APPLICATION SCHEMATIC



ABSOLUTE MAXIMUM RATINGS

| | |
|--|--------------------------------|
| PV _{IN} , V _{IN} | 6V |
| All other pins | -0.3V to V _{IN} +0.3V |
| PV _{IN} , P _{OND} , LX current | 2A |
| Storage Temperature | -65 °C to 150 °C |
| Operating Temperature | -40°C to +85°C |
| Junction Temperature | 125°C |
| Theta JA (10 Pin MSOP) | 214°C/w |
| Theta JA (10 Pin DFN) | 48.7°C/w |

These are stress ratings only and functional operation of the device at these ratings or any other above those indicated in the operation sections of the specifications below is not implied. Exposure to absolute maximum rating conditions for extended periods of time may affect reliability.

ELECTRICAL CHARACTERISTICS

V_{IN}=PV_{IN}=V_{SDN}=3.6V, V_{OUT}=V_{FB}, I_O = 0mA, T_{AMB} = -40°C to +85°C, The ♦ denotes the specifications which apply over the full operating temperature range, unless otherwise specified.

| PARAMETER | MIN | TYP | MAX | UNITS | CONDITIONS |
|--|-------|-------|-------|-------|--|
| Input Voltage Operating | UVLO | | 5.5 | V | ♦ Result of I _O measurement at V _{IN} = PV _{IN} = 5.5V |
| Minimum Output Voltage | 1.0 | | | V | ♦ FB Set Voltage, V _r |
| FB Set Voltage, V _r | 0.784 | 0.800 | 0.816 | V | 25° C, I _O = 200mA Close Loop. L _I = 10μH, |
| Overall Accuracy | | | ±4 | % | Measured at V _{IN} = 5.5V, no load, T _{AMB} = 0° C to 70° C |
| | | | ±5 | | ♦ Measured at V _{IN} = 3.6V, 200mA load, Close Loop |
| On-Time Constant - KON Min, T _{ON} = KON/(V _{IN} -V _{OUT}) | 1.5 | 2.25 | 3.0 | V*μs | ♦ Close Loop, L _I = 10μH, C _{OUT} = 22μF |
| Off-Time Min, T _{OFF} = K _{OFF} /V _{OUT} Constant - K _{OFF} | 1.6 | 2.4 | 3.2 | V*μs | ♦ Inductor current limit tripped, V _{FB} = 0.5V Measured at V _i = 2V |
| Off-Time Blanking | | 100 | | ns | T _{AMB} =27° C |
| PMOS Switch Resistance | | 0.3 | 0.6 | | ♦ IPMOS = 200mA |
| NMOS Switch Resistance | | 0.3 | 0.6 | | ♦ INMOS = 200mA |
| Inductor Current Limit | 1.0 | 1.25 | 1.50 | A | ♦ V _{FB} = 0.5V |
| LX Leakage Current | | 0.01 | 3 | μA | ♦ D0 = D1 = 0 |
| Power Efficiency | | 96 | | % | V _{OUT} = 2.5V, I _O = 200mA T _{AMB} = 27° C |
| | | 92 | | | V _{OUT} = 3.3V, I _O = 800mA T _{AMB} =27° C |
| Minimum Guaranteed Load Current | 800 | 900 | | mA | ♦ |
| V _{IN} Quiescent Current | | 20 | 30 | μA | ♦ V _{OUT} = 3.3V, V _{IN} = 3.6V and V _{IN} = 5.5V |
| V _{IN} Shutdown Current | | 1 | 500 | nA | ♦ D1 = D0 = 0V |
| V _{OUT} Quiescent Current | | 2 | 5 | μA | ♦ V _{OUT} = 3.3V |
| V _{OUT} Shutdown Current | | 1 | 500 | nA | ♦ D1 = D0 = 0V |

ELECTRICAL CHARACTERISTICS

$V_{IN}=PV_{IN}=V_{SDN}=3.6V$, $V_{OUT}=V_{FB}$, $I_O = 0mA$, $T_{AMB} = -40^{\circ}C$ to $+85^{\circ}C$, The ♦ denotes the specifications which apply over the full operating temperature range, unless otherwise specified.

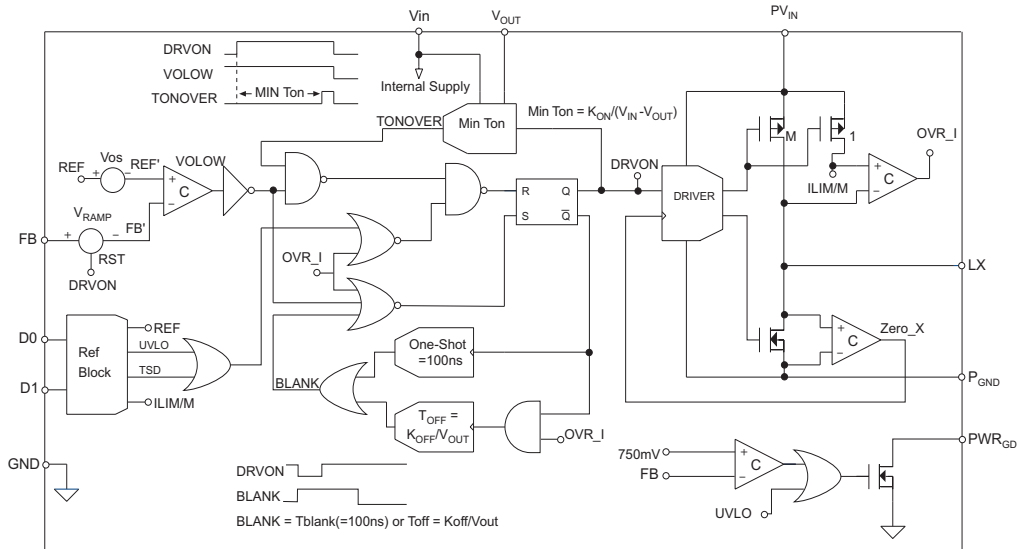
| PARAMETER | MIN | TYP | MAX | UNITS | CONDITIONS |
|---|------|------|------|---------|--|
| UVLO Undervoltage Lockout Threshold, V_{IN} falling | 2.55 | 2.70 | 2.85 | V | ♦ $D1 = 0V$, $D0 = V_{IN}$ |
| | 2.70 | 2.85 | 3.00 | | ♦ $D1 = V_{IN}$, $D0 = 0V$ |
| | 2.85 | 3.00 | 3.15 | | ♦ $D1 = V_{IN}$, $D0 = V_{IN}$ |
| UVLO hysteresis | | 40 | | mV | $T_{AMB} = 27^{\circ}C$ |
| PWRGD Low Output Voltage | | | 0.4 | V | ♦ $V_{IN} = 3.3V$, $I_{SINK} = 1mA$ |
| PWRGD Leakage Current | | | 1 | μA | ♦ $VPWRGD = 3.6V$ |
| PWRGD Rising Threshold | | -6 | | % | FB Set Voltage -6%, $T_{AMB}=27^{\circ}C$ |
| PWRGD Hysteresis | | 80 | | mV | $T_{AMB}=27^{\circ}C$ |
| D1,D0 Leakage Current | | 1 | 500 | nA | ♦ |
| D1,D0 Input Threshold Voltage | 0.60 | 0.90 | | V | ♦ High to Low Transition |
| | | 1.25 | 1.8 | | ♦ Low to High Transition |
| FB Leakage Current | | 1 | 100 | nA | FB = 1V |

| D1 | D0 | |
|----|----|---|
| 0 | 0 | Shutdown. All internal circuitry is disabled and the power switches are opened. |
| 0 | 1 | Device enabled, falling UVLO threshold =2.70V |
| 1 | 0 | Device enabled, falling UVLO threshold =2.85V |
| 1 | 1 | Device enabled, falling UVLO threshold =3.00V |

Table 1. Operating Mode Definition

| PIN NUMBER | PIN NAME | DESCRIPTION |
|------------|-------------------|--|
| 1 | PV _{IN} | Input voltage power pin. Inductor charging current passes through this pin. |
| 2 | V _{IN} | Internal supply voltage. Control circuitry powered from this pin. |
| 3 | PWR _{GD} | Open drain Power Good indicator. If V _{FB} is less than 750mV this pin is pulled to ground. When V _{FB} is above 750mV this pin is open. Connect a resistor from this pin to V _{IN} or V _{OUT} to create a logic signal. |
| 4 | D1 | Digital mode control input. See table I for definition. |
| 5 | D0 | Digital mode control input. See table I for definition. |
| 6 | FB | External feedback network input connection. Connect a resistor from FB to ground and FB to V _{OUT} to set the output voltage. This pin regulates to the internal bandgap reference voltage of 0.8V. |
| 7 | V _{OUT} | Output voltage sense pin. Used by the timing circuit to set minimum on and off times. |
| 8 | GND | Internal ground pin. Control circuitry returns current to this pin. |
| 9 | P _{GND} | Power ground pin. Synchronous rectifier current returns through this pin. |
| 10 | LX | Inductor switching node. Inductor tied between this pin and the output capacitor to create regulated output voltage. |

FUNCTIONAL DIAGRAM



TYPICAL PERFORMANCE CHARACTERISTICS

Refer to the typical application schematic, $T_{AMB} = +27^{\circ}\text{C}$

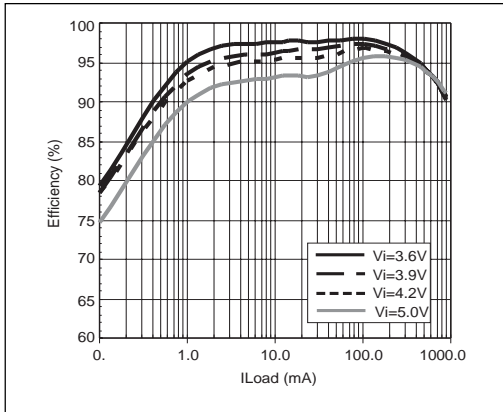


Figure 1. Efficiency vs Load, $V_{OUT} = 3.3\text{V}$

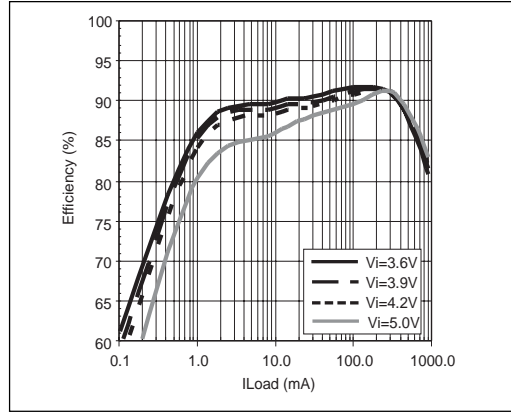


Figure 2. Efficiency vs Load, $V_{OUT} = 1.5\text{V}$

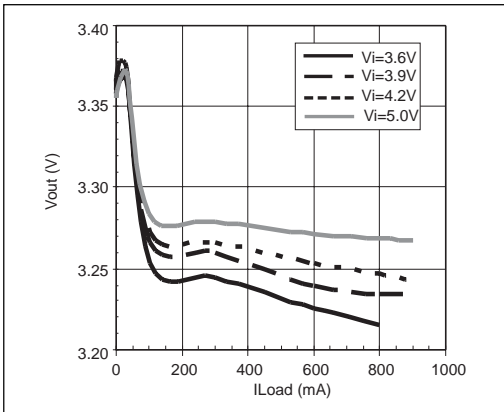


Figure 3. Line/Load Rejection, $V_{OUT} = 3.3\text{V}$

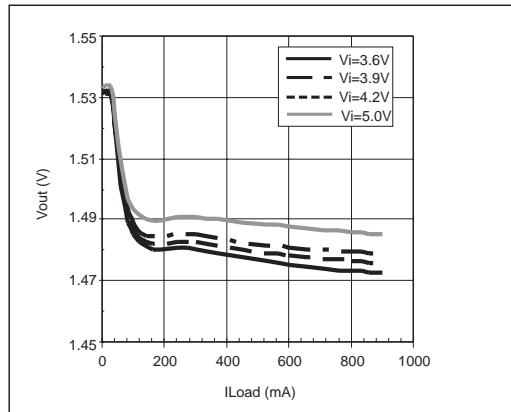


Figure 4. Line/Load Rejection, $V_{OUT} = 1.5\text{V}$

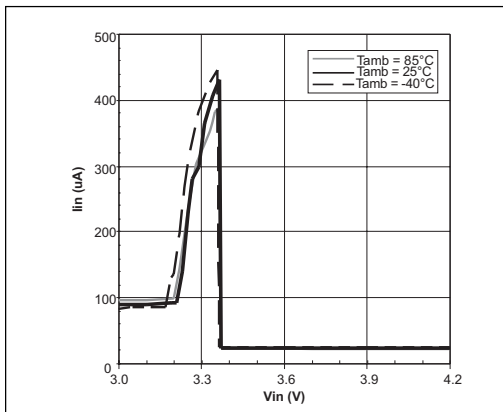


Figure 5. No Load Battery Current, $V_{OUT} = 3.3\text{V}$

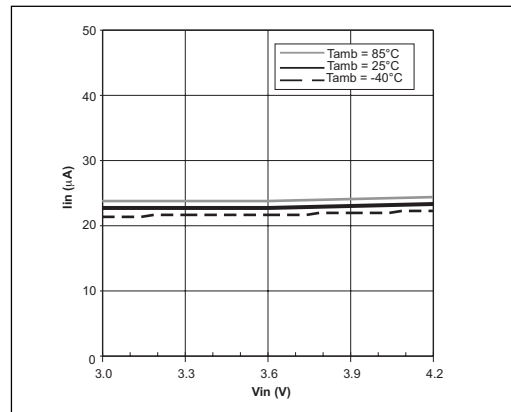


Figure 6. No Load Battery Current, $V_{OUT} = 1.5\text{V}$

TYPICAL PERFORMANCE CHARACTERISTICS

Refer to the typical application schematic, $T_{AMB} = +27^{\circ}\text{C}$

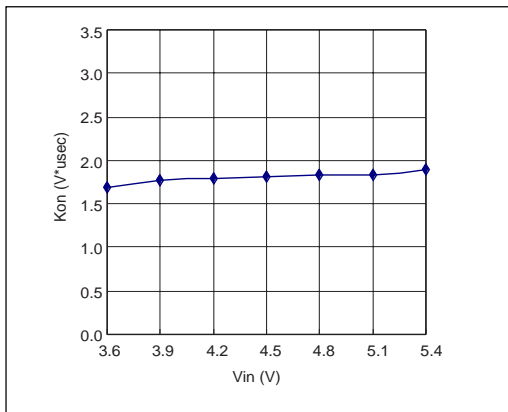


Figure 7. K_{ON} vs V_{IN} , $V_{OUT}=3.3V$

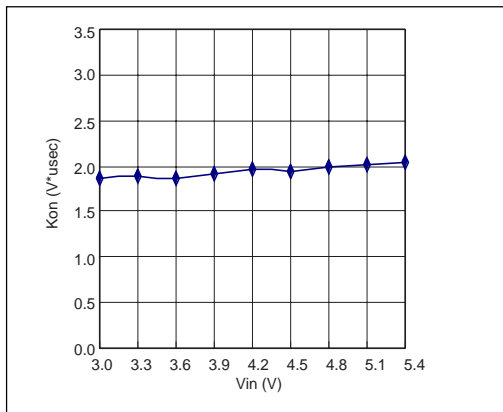


Figure 8. K_{ON} vs V_{IN} , $V_{OUT}=1.5V$

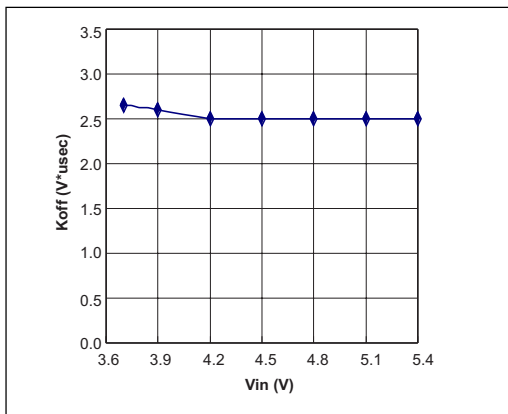


Figure 9. K_{OFF} vs V_{IN} , $V_{OUT}=3.3V$

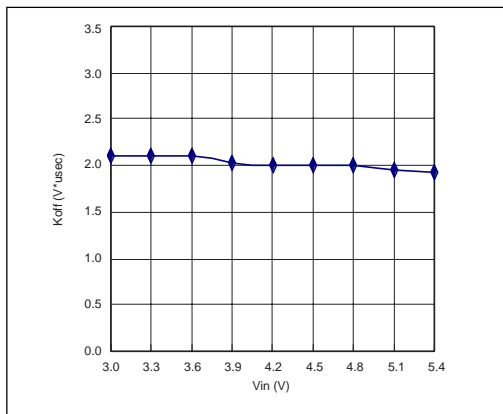


Figure 10. K_{OFF} vs V_{IN} , $V_{OUT}=1.5V$

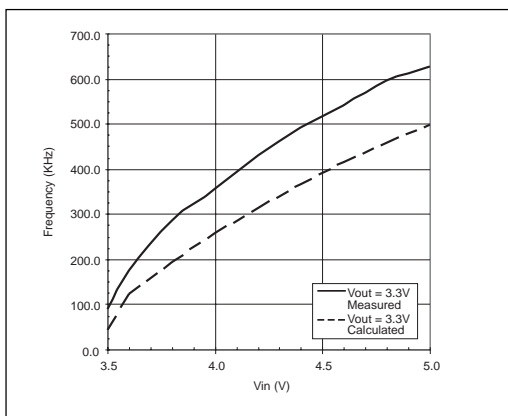


Figure 11. Ripple Frequency vs. V_{IN} , $I_{OUT}=600mA$, $V_{OUT}=3.3V$

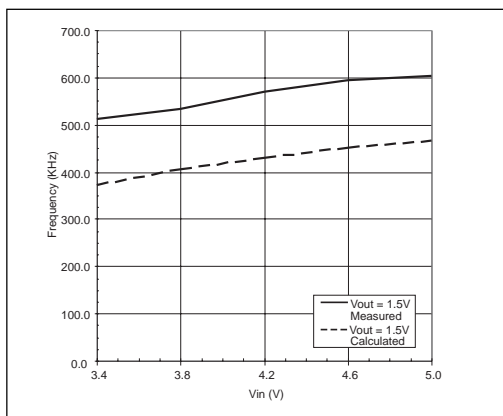


Figure 12. Ripple Frequency vs. V_{IN} , $I_{OUT}=600mA$, $V_{OUT}=1.5V$

TYPICAL PERFORMANCE CHARACTERISTICS

Refer to the typical application schematic, $T_{AMB} = +27^{\circ}\text{C}$

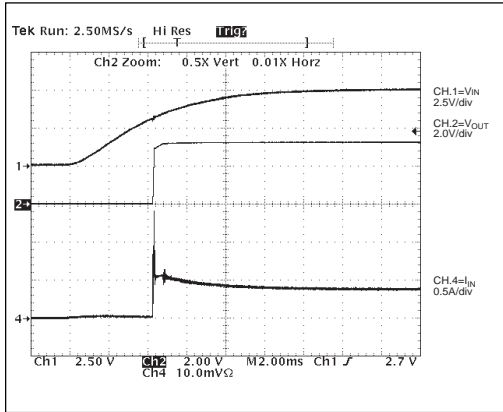


Figure 13. V_{IN} Start up, $I_{OUT}=0.6\text{A}$, $V_{OUT}=3.3\text{V}$

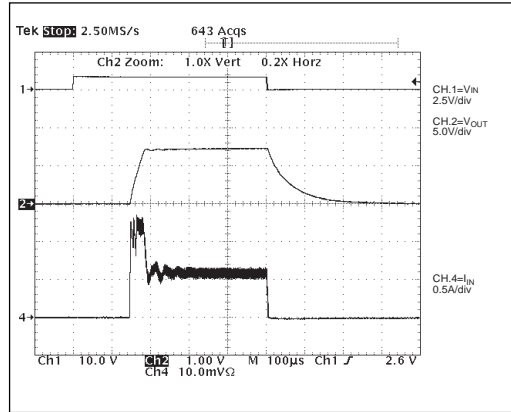


Figure 14. V_{IN} Start up, $I_{OUT}=0.6\text{A}$, $V_{OUT}=1.5\text{V}$

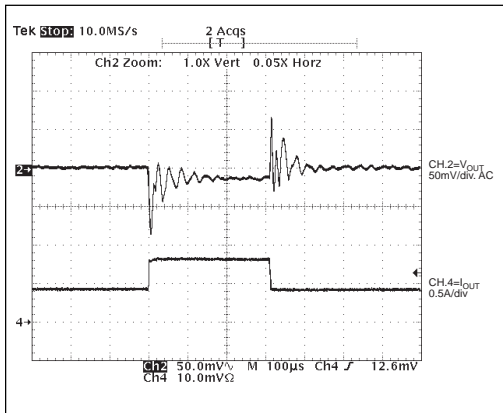


Figure 15. Load Step, $I_{OUT}=0.4\text{A}$ to 0.8A , $V_{OUT}=3.3\text{V}$

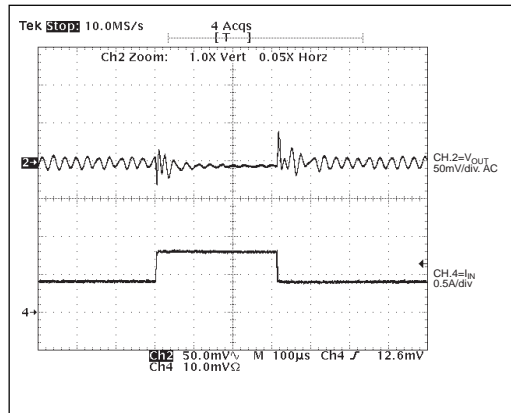


Figure 16. Load Step, $I_{OUT}=0.4\text{A}$ to 0.8A , $V_{OUT}=1.5\text{V}$

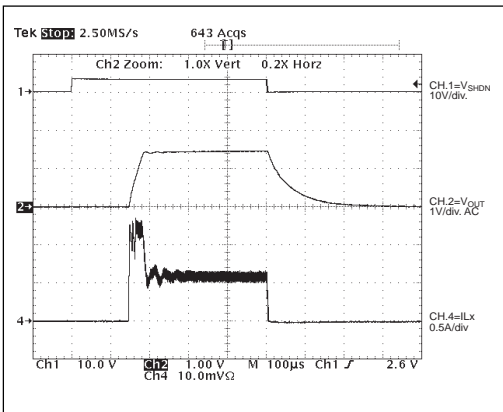


Figure 17. Start up from SHDN, $I_{OUT}=0.6\text{A}$, $V_{OUT}=3.3\text{V}$

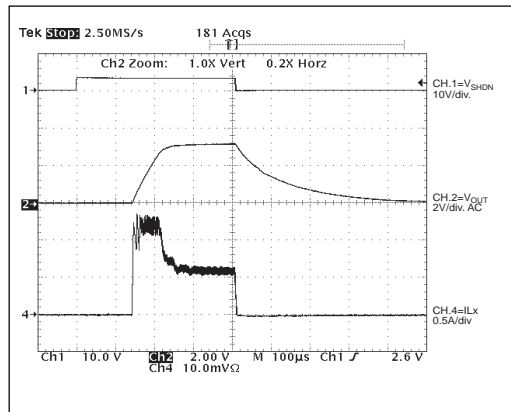


Figure 18. Start up from SHDN, $I_{OUT}=0.6\text{A}$, $V_{OUT}=1.5\text{V}$

The SP6654 is a high efficiency synchronous buck regulator with an input voltage range of +2.7V to +5.5V and an output that is adjustable between +1.0V and V_{IN} . The SP6654 features a unique on-time control loop that runs in discontinuous conduction mode (DCM) or continuous conduction mode (CCM) using synchronous rectification. Other features include, over-current protection, digitally controlled enable and under-voltage lockout, an external feedback pin, and a power good indicator.

The SP6654 operates with a light load quiescent current of 20 μ A using a 0.3 Ω PMOS main switch and a 0.3 Ω NMOS synchronous switch. It operates with excellent efficiency across the entire load range, making it an ideal solution for battery powered applications and low current step-down conversions. The part smoothly transitions into a 100% duty cycle under heavy load/low input voltage conditions.

On-Time Control - Charge Phase

The SP6654 uses a precision comparator and a minimum on-time to regulate the output voltage and control the inductor current under normal load conditions. As the feedback pin drops below the regulation point, the loop comparator output goes high and closes the main switch. The minimum on-timer is triggered, setting a logic high for the duration defined by:

$$T_{ON} = \frac{K_{ON}}{V_{IN} - V_{OUT}}$$

where:

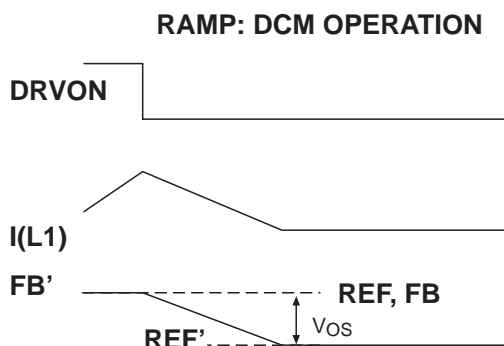
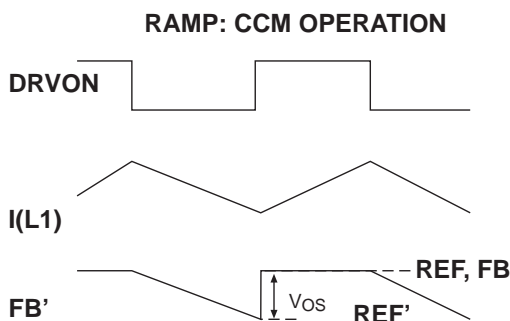
$$K_{ON} = 2.25V * \mu\text{sec constant}$$

$$V_{IN} = V_{IN} \text{ pin voltage}$$

$$V_{OUT} = V_{OUT} \text{ pin voltage}$$

To accommodate the use of ceramic and other low ESR capacitors, an open loop ramp is added to the feedback signal to mimic the inductor current ripple. The following waveforms describe the ideal ramp operation in both CCM and DCM operation.

In either CCM or DCM, the negative going ramp (V_{RAMP} in the functional diagram)



is added to FB and this creates the FB's signal. This FB signal is applied to the negative terminal of the loop comparator. To the positive terminal of the loop comparator is applied the REF voltage of 0.8V plus an offset voltage Vos to compensate for the DC level of V_{RAMP} applied to the negative terminal. The result is an internal ramp with enough negative going offset (approximately 50mV) to trip the loop comparator whenever FB falls below regulation.

The output of the loop comparator, a rising VOLOW, causes a SET if BLANK = 0 and OVR_I = 0. This starts inductor charging (DRVON = 1) and starts the minimum on-timer. The minimum on-timer times out and indicates DRVON can be reset if the voltage loop is satisfied. If V_{OUT} is still below the regulation point RESET is held low until V_{OUT} is above

regulation. Once RESET occurs T_{ON} minimum is reset, and the T_{OFF} one-shot is triggered to blank the loop comparator from starting a new charge cycle for a minimum period. This blanking period occurs during the noisy LX transition to discharge, where spurious comparator states may occur. For $T_{OFF} > T_{BLANK}$ the loop is in a discharge or wait state until the loop comparator starts the next charge cycle by DRVON going high.

If an over current occurs during charge the loop is interrupted and DRVON is RESET. The off-time one-shot pulse width is widened to $T_{OFF} = K_{OFF} / V_{OUT}$, which holds the loop in discharge for that time. At the end of the off-time the loop is released and controlled by VOLOW. In this manner maximum inductor current is controlled on a cycle-by-cycle basis. An assertion of UVLO (undervoltage lockout) or TSD (thermal shut-down) holds the loop in no-charge until the fault has ended.

On-Time Control - Discharge Phase

The discharge phase follows with the high side PMOS switch opening and the low side NMOS switch closing to provide a discharge path for the inductor current. The decreasing inductor current and the load current cause the output voltage to drop. Under normal load conditions when the inductor current is below the programmed limit, the off-time will continue until the output voltage falls below the regulation threshold, which initiates a new charge cycle via the loop comparator.

The inductor current “floats” in continuous conduction mode. During this mode the inductor peak current is below the programmed limit and the valley current is above zero. This is to satisfy load currents that are greater than half the minimum current ripple. The current ripple, I_{LR} , is defined by the equation:

$$I_{LR} \approx \frac{K_{ON}}{L} * \frac{V_{IN} - V_{OUT} - I_{OUT} * R_{CH}}{V_{IN} - V_{OUT}}$$

where:

L = Inductor value

I_{OUT} = Load current

R_{CH} = PMOS on resistance, 0.3Ω typ.

If the $I_{OUT} * R_{CH}$ term is negligible compared with $(V_{IN} - V_{OUT})$, the above equation simplifies to:

$$I_{LR} \approx \frac{K_{ON}}{L}$$

For most applications, the inductor current ripple controlled by the SP6654 is constant regardless of input and output voltage. Because the output voltage ripple is equal to:

$$V_{OUT} \text{ (ripple)} = I_{LR} * R_{ESR}$$

where:

R_{ESR} = ESR of the output capacitor

the output ripple of the SP6654 regulator is independent of the input and output voltages. For battery powered applications, where the battery voltage changes significantly, the SP6654 provides constant output voltage ripple throughout the battery lifetime. This greatly simplifies the LC filter design.

The maximum loop frequency in CCM is defined by the equation:

$$F_{LP} \approx \frac{(V_{IN} - V_{OUT}) * (V_{OUT} + I_{OUT} * R_{DC})}{K_{ON} * [V_{IN} + I_{OUT} * (R_{DC} - R_{CH})]}$$

where:

F_{LP} = CCM loop frequency

R_{DC} = NMOS on resistance, 0.3Ω typ.

Ignoring conduction losses simplifies the loop frequency to:

$$F_{LP} \approx \frac{1}{K_{ON}} * \frac{V_{OUT}}{V_{IN}} * (V_{IN} - V_{OUT})$$

AND'ing the loop comparator and the on-timer reduces the switching frequency for load currents below half the inductor ripple current. This increases light load efficiency. The minimum on-time insures that the inductor current ripple is a minimum of K_{ON}/L , more than the load

current demands. The converter goes in to a standard pulse frequency modulation (PFM) mode where the switching frequency is proportional to the load current.

Low Dropout and Load Transient Operation

AND'ing the loop comparator also increases the duty ratio past the ideal $D = V_{OUT} / V_{IN}$ up to and including 100%. Under a light to heavy load transient, the loop comparator will hold the main switch on longer than the minimum on timer until the output is brought back into regulation.

Also, as the input voltage supply drops down close to the output voltage, the main MOSFET resistance loss will dictate a much higher duty ratio to regulate the output. Eventually as the input voltage drops low enough, the output voltage will follow, causing the loop comparator to hold the converter at 100% duty cycle.

This mode is critical in extending battery life when the output voltage is at or above the minimum usable input voltage. The dropout voltage is the minimum ($V_{IN} - V_{OUT}$) below which the output regulation cannot be maintained. The dropout voltage of SP6654 is equal to $I_L * (0.3\Omega + R_{L1})$ where 0.3Ω is the typical $R_{DS(ON)}$ of the P-Channel MOSFET and R_L is the DC resistance of the inductor.

The SP6654 has been designed to operate in dropout with a light load I_q of only $80\mu A$. The on-time control circuit seamlessly operates the converter between CCM, DCM, and low dropout modes without the need for compensation. The converter's transient response is quick since there is no compensated error amplifier in the loop.

Inductor Over-Current Protection

To reduce the light load dropout I_q , the SP6654 over-current system is only enabled when $I_{L1} > 400mA$. The inductor over-current protection circuitry is programmed to limit the peak inductor current to 1.25A. This is done during the on-time by comparing the source to drain voltage drop of the PMOS passing the inductor current

with a second voltage drop representing the maximum allowable inductor current. As the two voltages become equal, the over-current comparator triggers a minimum off-time one shot. The off-time one shot forces the loop into the discharge phase for a minimum T_{OFF} time causing the inductor current to decrease. At the end of the off-time, loop control is handed back to the AND'd on-time signal. If the output voltage is still low, charging begins until the output is in regulation or the current limit has been reached again. During startup and overload conditions, the converter behaves like a current source at the programmed limit minus half the current ripple. The minimum T_{OFF} is controlled by the equation:

$$T_{OFF(MIN)} = \frac{K_{OFF}}{V_{OUT}}$$

Under-Voltage Lockout

The SP6654 is equipped with a programmable under-voltage lockout to protect the input battery source from excessive currents when substantially discharged. When the input supply is below the UVLO threshold both power switches are open to prevent inductor current from flowing. The three levels of falling input voltage UVLO threshold are shown in Table 1, with a typical hysteresis of 120mV to prevent chattering due to the impedance of the input source. During UVLO, PWR_{GD} is forced low.

Under-Current Detection

The synchronous rectifier is comprised of an inductor discharge switch, a voltage comparator, and a driver latch. During the off-time, positive inductor current flows into the PGND pin 9 through the low side NMOS switch to LX pin 10, through the inductor and the output capacitor, and back to pin 9. The comparator monitors the voltage drop across the discharge NMOS. As the inductor current approaches zero, the channel voltage sign goes from negative to positive, causing the comparator to trigger the driver latch and open the switch to prevent

inductor current reversal. This circuit along with the on-timer puts the converter into PFM mode and improves light load efficiency when the load current is less than half the inductor ripple current defined by K_{ON}/L .

Shutdown/Enable Control

The D0, D1 pins 4,5 of the device are logic level control pins that according to Table 1 shut down the converter when both are a logic low, or enables the converter when either are a logic high. When the converter is shut down, the power switches are opened and all circuit biasing is extinguished leaving only junction leakage currents on supply pins 1 and 2. After pins 4 or 5 are brought high to enable the converter, there is a turn on delay to allow the regulator circuitry to reestablish itself. Power conversion begins with the assertion of the internal reference ready signal which occurs approximately 150 μ s after the enable signal is received.

Power Good Indicator

A power good indicator looks at the voltage on the feedback node. When this voltage is below 0.75V, the open drain NMOS on pin 3 sinks

current to ground. Tying a resistor from pin 3 to V_{IN} or V_{OUT} creates a logic level power good indicator. PWR_{GD} is forced low when in UVLO.

External Feedback Pin

The FB pin 6 is compared to an internal reference voltage of 0.8V to regulate the SP6654 output. The output voltage can be externally programmed within the range +1.0V to +5.0V by tying a resistor from FB to ground and FB to V_{OUT} (pin7). See the applications section for resistor selection information.

APPLICATION INFORMATION

Inductor Selection

The SP6654 uses a specially adapted minimum on-time control of regulation utilizing a precision comparator and bandgap reference. This adaptive minimum on-time control has the advantage of setting a constant current ripple for a given inductor size. From the operations section it has been shown:

$$\text{Inductor Current Ripple, } I_{LR} \approx \frac{K_{ON}}{L}$$

For the typical SP6654 application circuit with inductor size of 10 μ H, and K_{ON} of 2V* μ sec, the SP6654 current ripple would be about 200mA, and

would be fairly constant for different input and output voltages, simplifying the selection of components for the SP6654 power circuit. Other inductor values could be selected, as shown in Table 2 Components Selection. Using a larger value than 10 μ H in an attempt to reduce output voltage ripple would reduce inductor current ripple and may not produce as stable an output ripple. For larger inductors with the SP6654, which has a peak inductor current of 1.25A, most 15 μ H or 22 μ H inductors would have to be larger physical sizes, limiting their use in small portable applications. Smaller values like 6.8 μ H would more easily meet the 1.25A limit and come in small case sizes, and the increased inductor

current ripple of almost 300mA would produce very stable regulation and fast load transient response at the expense of slightly reduced efficiency.

Other inductor parameters are important: the inductor current rating and the DC resistance. When the current through the inductor reaches the level of I_{SAT} , the inductance drops to 70% of the nominal value. This non-linear change can cause stability problems or excessive fluctuation in inductor current ripple. To avoid this, the inductor should be selected with saturation current at least equal to the maximum output current of the converter plus half the inductor current ripple. To provide the best performance in dynamic conditions such as start-up and load transients, inductors should be chosen with saturation current close to the SP6654 inductor current limit of 1.25A.

DC resistance, another important inductor characteristic, directly affects the efficiency of the converter, so inductors with minimum DC resistance should be chosen for high efficiency designs. Recommended inductors with low DC resistance are listed in table 2. Preferred inductors for on board power supplies with the SP6654 are magnetically shielded types to minimize radiated magnetic field emissions.

Capacitor Selection

The SP6654 has been designed to work with very low ESR output capacitors (listed in Table 2 Component Selection) which for the typical application circuit are 22 μ F ceramic, POSCAP or Aluminum Polymer. These capacitors combine small size, low ESR and good value. To regulate the output with low ESR capacitors of 0.01 Ω or less, an internal ramp voltage V_{RAMP} has been added to the FB signal to reliably trip the loop comparator (as described in the Operations section).

Output ripple for a buck regulator is determined mostly by output capacitor ESR, which for the SP6654 with a constant inductor current ripple can be expressed as:

$$V_{OUT}(\text{ripple}) = I_{LR} * R_{ESR}$$

For the 22 μ F POSCAP with 0.04 Ω ESR, and a 10 μ H inductor yielding 200mA inductor current ripple I_{LR} , the V_{OUT} ripple would be 8mVpp. Since 8mV is a very small signal level, the actual value would probably be larger due to noise and layout issues, but this illustrates that the SP6654 output ripple can be very low indeed. To improve stability, a small ceramic capacitor, $C_F = 22$ pF should be paralleled with the feedback voltage divider RF, as shown on the typical application schematic on page 1. Another function of the output capacitance is to hold up the output voltage during the load transients and prevent excessive overshoot and undershoot. The typical performance characteristics curves show very good load step transient response for the SP6654 with the recommended output capacitance of 22 μ F ceramic.

The input capacitor will reduce the peak current drawn from the battery, improve efficiency and significantly reduce high frequency noises induced by a switching power supply. The typical input capacitor for the SP6654 is 22 μ F ceramic, POSCAP or Aluminum Polymer. These capacitors will provide good high frequency bypassing and their low ESR will reduce resistive losses for higher efficiency. An RC filter is recommended for the V_{IN} pin 2 to effectively reduce the noise for the ICs analog supply rail which powers sensitive circuits. This time constant needs to be at least 5 times greater than the switching period, which is calculated as $1/FLP$ during the CCM mode. The typical application schematic uses the values of $R_{VIN} = 10\Omega$ and $C_{VIN} = 1\mu F$ to meet these requirements.

| INDUCTORS SURFACE MOUNT | | | | | | | | |
|----------------------------|----------------------------|-------------------------|---------------------------|------------------|------------|------------------------------|----------------------|----------------|
| Inductance (μH) | Manufacturer/Part No. | Inductor Specification | | | | | Manufacturer Website | |
| | | Series R Ω | I _{SAT} (A) | Size | | Inductor Type | | |
| | | | | LxW(mm) | Ht. (mm) | | | |
| 10 | Sumida CDRH5D28-100 | 0.048 | 1.30 | 5.7 x 5.5 | 3.0 | Shielded Ferrite Core | sumida.com | |
| 10 | TDK RLF5018T-100MR94 | 0.056 | 0.94 | 5.6 x 5.2 | 2.0 | Shielded Ferrite Core | tdk.com | |
| 10 | Coilcraft DO1608C-103 | 0.160 | 1.10 | 6.6 x 4.5 | 2.9 | Unshielded Ferrite Core | coilcraft.com | |
| 10 | Coilcraft LPO6013-103 | 0.300 | 0.70 | 6.0 x 5.4 | 1.3 | Unshielded Ferrite Core | coilcraft.com | |
| 6.8 | Sumida CDRH5D28-6R8 | 0.081 | 1.12 | 4.7 x 4.5 | 3.0 | Shielded Ferrite Core | sumida.com | |
| 6.8 | TDK RLF5018T-6R8M1R1 | 0.47 | 1.10 | 5.6 x 5.2 | 2.0 | Shielded Ferrite Core | tdk.com | |
| 6.8 | Coilcraft DO1608C-682 | 0.130 | 1.20 | 6.6 x 4.5 | 2.9 | Unshielded Ferrite Core | coilcraft.com | |
| 6.8 | Coilcraft LPO6013-103 | 0.200 | 0.60 | 6.0 x 5.4 | 1.3 | Unshielded Ferrite Core | coilcraft.com | |
| CAPACITORS - SURFACE MOUNT | | | | | | | | |
| Capacitance (μF) | Manufacturer/Part No. | Capacitor Specification | | | | | Manufacturer Website | |
| | | ESR Ω (max) | Ripple Current (A) @ 45°C | Size | | Voltage (V) | | Capacitor Type |
| | | | | LxW(mm) | Ht. (mm) | | | |
| 22 | TDK C3216X5R0J226M | 0.002 | 3.00 | 3.2 x 1.6 | 1.6 | 6.3 | X5R Ceramic | tdk.com |
| 22 | SANYO 6APA22M | 0.040 | 1.90 | 7.3 x 4.3 | 2.0 | 6.3 | POSCAP | sanyovideo.com |
| 47 | TDK C3225X5R0J46M | 0.002 | 4.00 | 3.2 x 1.6 | 1.6 | 6.3 | X5R Ceramic | tdk.com |
| 47 | SANYO 6TPA47M | 0.040 | 1.90 | 6.0 x 3.2 | 2.8 | 6.3 | POSCAP | sanyovideo.com |

Note: Components highlighted in bold are those used on the SP6654 Evaluation Board.

Table 2 Component Selection

Output Voltage Program

The output voltage is programmed by the external divider, as shown in the typical application circuit on page 1. First pick a value for R_I that is no larger than 300K. Too large a value of R_I will reduce the AC voltage seen by the loop comparator since the internal FB pin capacitance can form a low pass filter with R_F in parallel with R_I. The formula for R_F with a given R_I and output voltage is:

$$R_F = \left(\frac{V_{OUT}}{0.8V} - 1 \right) \cdot R_I$$

Output Voltage Ripple Frequency

An important consideration in a power supply application is the frequency value of the output ripple. Given the control technique of the SP6654 (as described in the operations section), the frequency of the output ripple will vary when in light to moderate load in the discontinuous or PFM mode. For moderate to heavy loads greater than about 100mA inductor current ripple, (for

the typical 10μH inductor application on 100mA is half the 200mA inductor current ripple), the output ripple frequency will be fairly constant. From the operations section, this maximum loop frequency in continuous conduction mode is:

$$f_{LP} \approx \frac{1}{K_{ON}} * \frac{V_{OUT}}{V_{IN}} * (V_{IN} - V_{OUT})$$

Data for loop frequency, as measured from output voltage ripple frequency, can be found in the typical performance curves.

Layout Considerations

Proper layout of the power and control circuits is necessary in a switching power supply to obtain good output regulation with stability and a minimum of output noise. The SP6654 application circuit can be made very small and reside close to the IC for best performance and solution size, as long as some layout techniques are taken into consideration. To avoid excessive interference between the SP6654 high frequency converter and

the other active components on the board, some rules should be followed. Refer to the typical application schematic on page 1 and the sample PCB layout shown in the following figures to illustrate how to layout a SP6654 power supply.

Avoid injecting noise into the sensitive part of circuit via the ground plane. Input and output capacitors conduct high frequency current through the ground plane. Separate the control and power grounds and connect them together at a single point. Power ground plane is shown in the figure titled PCB top sample layout and connects the ground of the C_{OUT} capacitor to the ground of the C_{IN} capacitor and then to the PGND pin 10. The control ground plane connects from pin 9 GND to ground of the C_{VIN} capacitor and the R_I ground return of the feedback resistor. These two separate control and power ground planes come together in the figure titled PCB top sample layout where SP6654 pin 9 GND is connected to pin 10 PGND.

Power loops on the input and output of the converter should be laid out with the shortest and widest traces possible. The longer and narrower the trace, the higher the resistance and inductance it will have. The length of traces in series with the capacitors increases its ESR and ESL and reduces their effectiveness at high frequencies. Therefore, put the $1\mu\text{F}$ bypass capacitor as close to the V_{IN} and GND pins of the converter as possible, the $22\mu\text{F}$ C_{IN} close to the P_{VIN} pin and the $22\mu\text{F}$ output capacitor as close to the inductor as possible. The external voltage feedback network R_F , R_I and feedforward capacitor C_F should be placed very close to the FB pin. Any noise traces like the LX pin should be kept away from the voltage feedback network and separated from it by using power ground copper to minimize EMI.

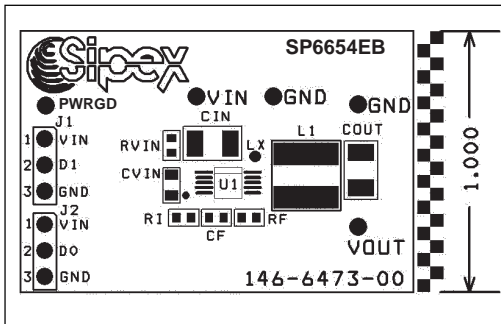


Figure 19. SP6654 PCB Component Sample Layout

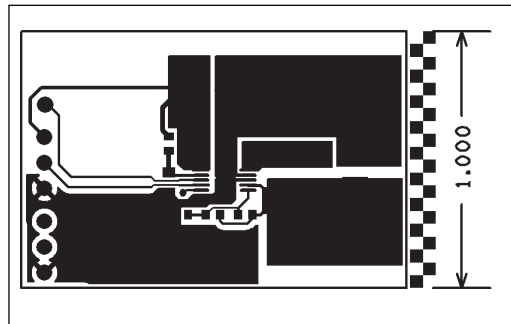


Figure 20. SP6654 PCB Top Sample Layout

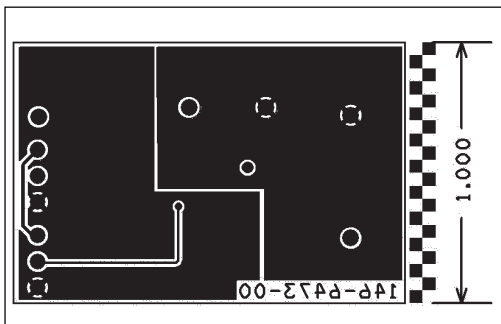
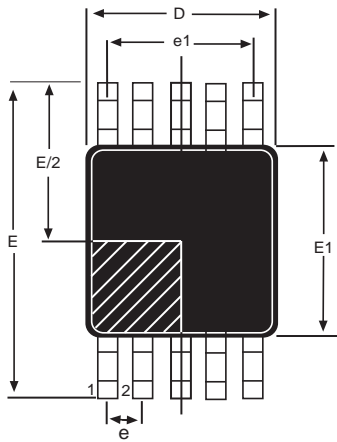
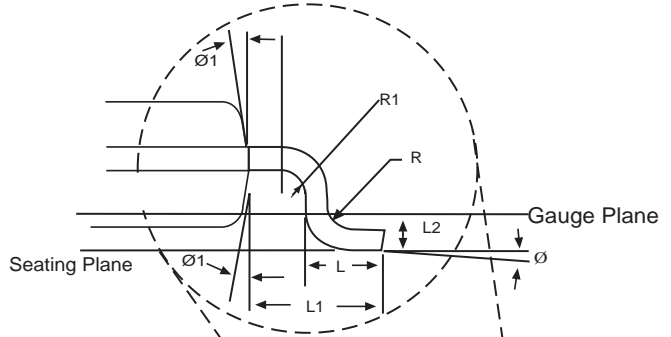


Figure 21. SP6654 PCB Bottom Sample Layout

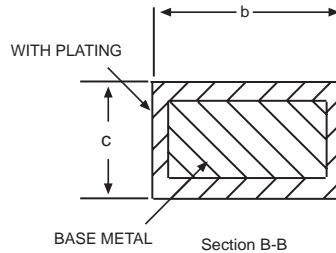
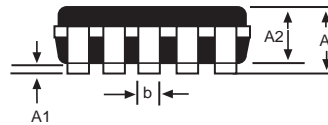


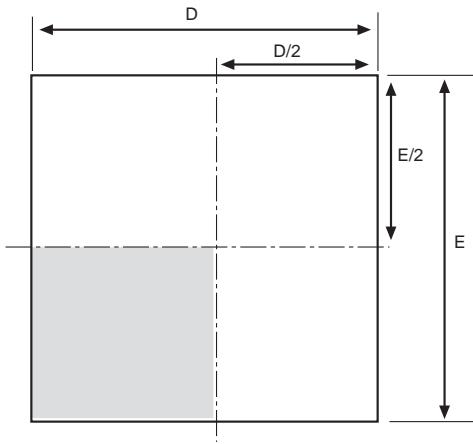
Pin #1 identifier must be indicated within this shaded area ($D/2 * E1/2$)



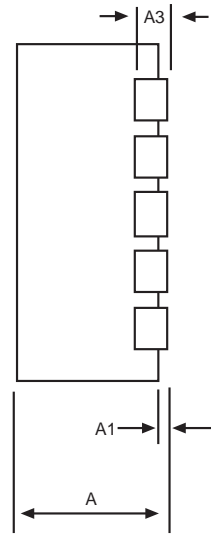
| 10 Pin MSOP JEDEC MO-187 (BA) Variation | | | |
|---|----------|------|------|
| SYMBOL | MIN | NOM | MAX |
| A | - | - | 1.1 |
| A1 | 0 | - | 0.15 |
| A2 | 0.75 | 0.85 | 0.95 |
| b | 0.17 | - | 0.27 |
| c | 0.08 | - | 0.23 |
| D | 3.00 BSC | | |
| E | 4.90 BSC | | |
| E1 | 3.00 BSC | | |
| e | 0.50 BSC | | |
| e1 | 2.00 BSC | | |
| L | 0.4 | 0.6 | 0.8 |
| L1 | 0.95 REF | | |
| L2 | 0.25 BSC | | |
| N | - | 10 | - |
| R | 0.07 | - | - |
| R1 | 0.07 | - | - |
| ø | 0° | - | 8° |
| ø1 | 0° | - | 15° |

Note: Dimensions in (mm)





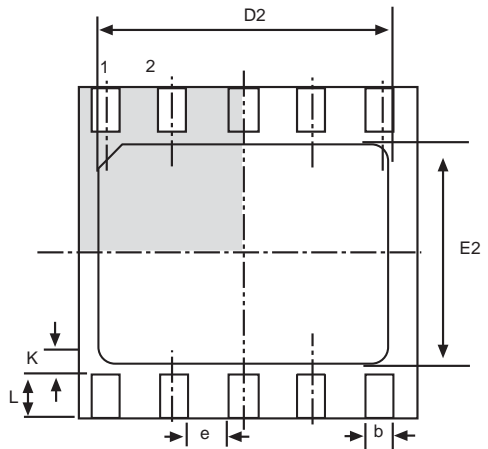
Top View



Side View

| 3x3 10 Pin DFN JEDEC MO-229 (VEED-5) VARIATION | | | |
|--|-----------|------|------|
| SYMBOL | MIN | NOM | MAX |
| A | 0.8 | 0.9 | 1 |
| A1 | 0 | 0.02 | 0.05 |
| A2 | 0.55 | 0.65 | 0.8 |
| A3 | 0.20 REF | | |
| b | 0.18 | 0.25 | 0.3 |
| D | 3.00 BSC | | |
| D2 | 2.2 | | 2.7 |
| e | 0.5 PITCH | | |
| E | 3.00 BSC | | |
| E2 | 1.4 | - | 1.75 |
| K | 0.2 | - | - |
| L | 0.3 | 0.4 | 0.5 |

Note: Dimensions in (mm)



Bottom View

| Part Number | Operating Temperature Range | Top Mark | Package Type |
|--------------------|------------------------------------|-----------------|---------------------|
| SP6654EU..... | -40°C to +85°C..... | SP6654EU..... | 10 Pin MSOP |
| SP6654EU/TR..... | -40°C to +85°C..... | SP6654EU..... | 10 Pin MSOP |
| SP6654ER..... | -40°C to +85°C..... | SP6654ER..... | 10 Pin DFN |
| SP6654ER/TR..... | -40°C to +85°C..... | SP6654ER..... | 10 Pin DFN |

Available in lead free packaging. To order add "-L" suffix to part number.

Example: SP6654EU/TR = standard; SP6654EU-L/TR = lead free

/TR = Tape and Reel

Pack quantity is 2,500 for MSOP and 3,000 for DFN



ANALOG EXCELLENCE



Sipex Corporation

**Headquarters and
Sales Office**
233 South Hillview Drive
Milpitas, CA 95035
TEL: (408) 934-7500
FAX: (408) 935-7600







Sipex Corporation reserves the right to make changes to any products described herein. Sipex does not assume any liability arising out of the application or use of any product or circuit described herein; neither does it convey any license under its patent rights nor the rights of others.

Looking for pricing, stock, or lifecycle information?

Click below to explore more details on WIN SOURCE:

-  [View SP6654ER-L/TR on WIN SOURCE](#)
-  [Exar Corporation](#) Information

Optimize Your Supply Chain with WIN SOURCE Solutions

-  Global Sourcing Solution
-  Obsolete Management
-  Cost Control Management
-  Shortage Management
-  Alternative Solution
-  Excess Inventory Management